

## **STOVE PRICE LIST**



UPDATE MARCH 2025



# STOVE PRICE LIST

UPDATE MARCH 2025

# INDEX

## HYBRID STOVES InfinityPlus LINE

E228 A	.14
E228 C	.15
E228 C-H	.17
E228 D	.19
E228 H	.20
E228 M	.21
E228 M-H	.23
E228 K	.25
E228 STEEL	.26

## PELLET STOVES Prestige LINE

P943 Hermetic	.31
P943 M Hermetic	.32

## PELLET STOVES PremiumPlus LINE

P220 C	.44
P220 C with base	.45
P220 M	.46
P220 M STEEL	.47
P220 T	.48
P220 T STEEL	.49
P220 T Frontal Glass	.50
P220 T STEEL Frontal Glass	.51
P222	.52
P230 C	.53
P230 C with base	.54
P230 M	.55
P230 M STEEL	.56
P230 T	.57
P230 T STEEL	.58
P230 T Frontal Glass	.59
P230 T STEEL Frontal Glass	.60
P240	.61
P241	.62

## PELLET STOVES Premium LINE

P910 T Frontal Glass	.76
P910 T TOP Frontal Glass	.77
P910 T STEEL Frontal Glass	.78
P910 T TOP STEEL Frontal Glass	.79
P920 C	.80
P920 K	.81
P920 M	.82
P920 M STEEL	.83
P920 T	.84
P920 T STEEL	.85
P921 R	.86
P921 T Frontal Glass	.87
P921 T TOP Frontal Glass	.88
P921 T STEEL Frontal Glass	.89
P921 T TOP STEEL Frontal Glass	.90
P925 Frontal Glass	.91
P930 C	.92
P930 K	.93
P930 M	.94
P930 M STEEL	.95
P930 T	.96

P930 T STEEL	.97
P931 R	.98
LINE	.99
P934	100
P939	101
P945 C	102
P945 TOP STEEL	103

## PELLET STOVES Trend Plus LINE

P112 T	107
P112 T TOP	108
P122 T	109
P122 T TOP	110

## PELLET STOVES Trend LINE

P110 T	115
P120	116
P120 M	117
P120 T	118
P121 T	119
P130	120
P130 T	121
P136	122
P136 Hermetic	123
P137	124

## PELLET STUBOTTO

BERNA pellet	131
BRUNICO	132
CANAZEI	133
ORTISEI	134
STUBOTTO C	135

## GAS STOVES

G958	284
G958 C	286
G958 D	288
G958 M	290
G963	292
G963 C	294
G963 D	296
G963 M	298

Piazzetta informs . . . . . 302

General sales terms and conditions . . . . . 303



# INDEX

## WOOD-BURNING STOVES

### WOOD-BURNING STOVES

BONNY	153
THELMA	154
QUBE 1	159
QUBE 2	160
QUBE 3	161
QUBE 4	162
E520	169
E520 STEEL	170
E520 C	171
E520 T STEEL	172
E530	173
E530 STEEL	174
E530 C	175
E530 T STEEL	176
E900 M with oven	177
E928	198
E928 A	200
E928 C	202
E928 C-H	204
E928 C-M	206
E928 H	208
E928 M	210
E928 R	212
E928 STEEL	213
E928 S with food warmer	214

### HERMETIC WOOD-BURNING STOVES

CIRCLE Hermetic	155
ROUND Hermetic	163
ROUND-H Hermetic	165
ROUND-M Hermetic	167
E924 Hermetic	178
E924 A Hermetic	182
E924 A-H Hermetic	186
E924 H Hermetic	190
E924 M Hermetic	194
E929 C Hermetic	216
E929 C-H Hermetic	218
E929 D Hermetic	220
E929 D-H Hermetic	222
E929 M Hermetic	224
E929 M-H Hermetic	226
E929 T Hermetic	228

### HERMETIC WOOD-BURNING STOVES with BCS

CIRCLE Hermetic BCS	157
ROUND Hermetic BCS	164
ROUND-H Hermetic BCS	166
ROUND-M Hermetic BCS	168
E924 Hermetic BCS	180
E924 A Hermetic BCS	184
E924 A-H Hermetic BCS	188
E924 H Hermetic BCS	192
E924 M Hermetic BCS	196
E928 Hermetic BCS	199
E928 A Hermetic BCS	201
E928 C Hermetic BCS	203
E928 C-H Hermetic BCS	205
E928 C-M Hermetic BCS	207
E928 H Hermetic BCS	209
E928 M Hermetic BCS	211
E928 S Hermetic BCS with food warmer	215
E929 C Hermetic BCS	217

E929 C-H Hermetic BCS	219
E929 D Hermetic BCS	221
E929 D-H Hermetic BCS	223
E929 M Hermetic BCS	225
E929 M-H Hermetic BCS	227
E929 T Hermetic BCS	229

## WOOD-BURNING STOVES TrendLINE

### WOOD-BURNING STOVES

E128	238
E128 A	240

### HERMETIC WOOD-BURNING STOVES

E124 Hermetic	234
E124 A Hermetic	236
E129 M Hermetic	242

### HERMETIC WOOD-BURNING STOVES with BCS

E124 Hermetic BCS	235
E124 A Hermetic BCS	237
E128 Hermetic BCS	239
E128 A Hermetic BCS	241
E129 M Hermetic BCS	243

## STUBOTTO - WOOD-BURNING

BRUNICO	252
BRUNICO BCS	253
CANAZEI	254
CANAZEI BCS	255
ORTISEI	256
ORTISEI BCS	257
STUBOTTO C	258

## STOVE-FIREPLACES

BERNA wood	267
DAVOS wood	268
LUGANO wood	269



# Infinity Plus LINE

## HYBRID STOVES

Data charts . . . . .	6
E228 A . . . . .	14
E228 C . . . . .	15
E228 C-H . . . . .	17
E228 D . . . . .	19
E228 H . . . . .	20
E228 M . . . . .	21
E228 M-H . . . . .	23
E228 K . . . . .	25
E228 STEEL . . . . .	26
Accessories . . . . .	27

# HYBRID STOVES Infinity Plus LINE

## Data charts



Technical data	Units	E228 A	E228 A	E228 A	E228 A
Version		Top flue outlet	Top flue outlet	Rear flue outlet	Rear flue outlet
Operation		PELLET	Wood-burning	PELLET	Wood-burning
Forced ventilation		-	-	-	-
Ductable		-	-	-	-
Natural convection		yes	yes	yes	yes
Hermetic		yes	yes	yes	yes
Oven		-	-	-	-
Model		E228 A	E228 A	E228 A	E228 A
Type		SH140-P-09	SH140-W-09	SH140-P-10	SH140-W-10
Energy efficiency class		A+	A+	A+	A+
Room heating capacity *	m <sup>3</sup>	135 - 230	135 - 230	140 - 235	140 - 235
Nominal heat output (min - max)	kW	3,9 - 8,0	- - 8,0	3,8 - 8,0	-- 8,2
Thermal efficiency (min - max)	%	85,1 - 87,0	- - 85,7	> 84,0 - > 88,0	-- 88,3
Nominal consumption (min - max)	kg/h	0,9 - 1,8	- - 2,24	0,9 - 1,9	-- 2,24
Standard flue outlet Ø	cm	15	15	15	15
Hopper capacity	kg	15	-	15	-
Dimensions W x D x H	cm	56,6 x 59 x 141,7	56,6 x 59 x 141,7	56,6 x 59 x 141,7	56,6 x 59 x 141,7
Size of wood pieces	cm	35 - 38	35 - 38	35 - 38	35 - 38
Firebox opening W x H	cm	31,7 x 33,8	31,7 x 33,8	31,7 x 33,8	31,7 x 33,8
Weight	kg	295	295	295	295
Oven W x D x H		-	-	-	-
Heating		natural convection / ductable forced ventilation	natural convection / ductable forced ventilation	natural convection / ductable forced ventilation	natural convection / ductable forced ventilation
Dual Power System		-	-	-	-
Front ventilation		directional air vent	directional air vent	directional air vent	directional air vent
Side ventilation		-	-	-	-
Natural Mode		yes	yes	yes	yes
Eco / Energy Saving function		yes / yes	yes / yes	yes / yes	yes / yes
Cladding / Top surface		majolica / majolica	majolica / majolica	majolica / majolica	majolica / majolica
Rolling Top		-	-	-	-
Stove		airtight, steel	airtight, steel	airtight, steel	airtight, steel
Firebox		cast iron	cast iron	cast iron	cast iron
Smoke baffle plate / Brazier		Aluker® / cast iron	Aluker® / cast iron	Aluker® / cast iron	Aluker® / cast iron
Door / Handle		cast iron with self-cleaning ceramic glass resistant up to 750°C / steel and silicone	cast iron with self-cleaning ceramic glass resistant up to 750°C / steel and silicone	cast iron with self-cleaning ceramic glass resistant up to 750°C / steel and silicone	cast iron with self-cleaning ceramic glass resistant up to 750°C / steel and silicone
Removable ash drawer		yes	yes	yes	yes
Ash tray		-	-	-	-
Oven		-	-	-	-
Standard flue outlet position		top	top	rear	rear
Optional flue outlet		-	-	-	-
LCD remote control		standard	standard	standard	standard
Display with digital controls		yes	yes	yes	yes
Power level		5	5	5	5
Ambient probe for temperature control		standard	standard	standard	standard
Programmable timer-thermostat		6 daily time frames	6 daily time frames	6 daily time frames	6 daily time frames
Humidifier		stainless steel	stainless steel	stainless steel	stainless steel
Pellet level sensor		-	-	-	-
Brazier cleaning intervals		yes	yes	yes	yes
Glass cleaning system		continuous air flow	continuous air flow	continuous air flow	continuous air flow
WiFi module- Bluetooth for App MyPIAZZETTA		standard	standard	standard	standard
Ash vacuum cleaner		standard	standard	standard	standard
Optional remote control		-	-	-	-
Optional side air vents		-	-	-	-
Optional directional front air vents		-	-	-	-
Installation		wall - flush / corner	wall - flush / corner	wall - flush / corner	wall - flush / corner

\* Calculated on the basis of nominal heat output, referring to rooms with a heating requirement between 0.060 and 0.035 kW per m<sup>3</sup>. We recommend always contacting a heating engineer for the final calculations.



# HYBRID STOVES Infinity Plus LINE

## Data charts



Technical data	Units	E228 C-H	E228 C-H	E228 D	E228 D
Version		Rear flue outlet	Rear flue outlet	Top flue outlet	Top flue outlet
Operation		PELLET	Wood-burning	PELLET	Wood-burning
Forced ventilation		-	-	-	-
Ductable		yes	yes	yes	yes
Natural convection		yes	yes	yes	yes
Hermetic		yes	yes	yes	yes
Oven		-	-	-	-
Model		E228 C-H	E228 C-H	E228 D	E228 D
Type		SH140-P-10	SH140-W-10	SH140-P-09	SH140-W-09
Energy efficiency class		A+	A+	A+	A+
Room heating capacity *	m <sup>3</sup>	140 - 235	140 - 235	135 - 230	135 - 230
Nominal heat output (min - max)	kW	4,1 - 8,2	- - 8,2	3,9 - 8,0	- - 8,0
Thermal efficiency (min - max)	%	90,3 - 88,0	- - 88,3	85,1 - 87,0	- - 85,7
Nominal consumption (min - max)	kg/h	0,9 - 1,9	- - 2,24	0,9 - 1,8	- - 2,24
Standard flue outlet Ø	cm	15	15	15	15
Hopper capacity	kg	15	-	15	-
Dimensions W x D x H	cm	64,6 x 63 x 193,6	64,6 x 63 x 193,6	61 x 60 x 144	61 x 60 x 144
Size of wood pieces	cm	35 - 38	35 - 38	35 - 38	35 - 38
Firebox opening W x H	cm	31,7 x 33,8	31,7 x 33,8	31,7 x 33,8	31,7 x 33,8
Weight	kg	320	320	306	306
Oven W x D x H		-	-	-	-
Heating		optional HSS heat storage system / natural convection / ductable forced ventilation	optional HSS heat storage system / natural convection / ductable forced ventilation	natural convection / ductable forced ventilation	natural convection / ductable forced ventilation
Dual Power System		-	-	-	-
Front ventilation		-	-	directional air vent	directional air vent
Side ventilation		fixed outlet, optional	fixed outlet, optional	-	-
Natural Mode		yes	yes	yes	yes
Eco / Energy Saving function		yes / yes	yes / yes	yes / yes	yes / yes
Cladding / Top surface		majolica / majolica	majolica / majolica	majolica / majolica	majolica / majolica
Rolling Top		-	-	-	-
Stove		airtight, steel	airtight, steel	airtight, steel	airtight, steel
Firebox		cast iron	cast iron	cast iron	cast iron
Smoke baffle plate / Brazier		Aluker® / cast iron cast iron with self-cleaning ceramic glass resistant up to 750°C / steel and silicone	Aluker® / cast iron cast iron with self-cleaning ceramic glass resistant up to 750°C / steel and silicone	Aluker® / cast iron cast iron with self-cleaning ceramic glass resistant up to 750°C / steel and silicone	Aluker® / cast iron cast iron with self-cleaning ceramic glass resistant up to 750°C / steel and silicone
Door / Handle		-	-	-	-
Removable ash drawer		yes	yes	yes	yes
Ash tray		-	-	-	-
Oven		-	-	-	-
Standard flue outlet position		rear	rear	top	top
Optional flue outlet		-	-	-	-
LCD remote control		standard	standard	standard	standard
Display with digital controls		yes	yes	yes	yes
Power level		5	5	5	5
Ambient probe for temperature control		standard	standard	standard	standard
Programmable timer-thermostat		6 daily time frames	6 daily time frames	6 daily time frames	6 daily time frames
Humidifier		stainless steel	stainless steel	stainless steel	stainless steel
Pellet level sensor		-	-	-	-
Brazier cleaning intervals		yes	yes	yes	yes
Glass cleaning system		continuous air flow	continuous air flow	continuous air flow	continuous air flow
WiFi module- Bluetooth for App MyPIAZZETTA		standard	standard	standard	standard
Ash vacuum cleaner		standard	standard	standard	standard
Optional remote control		-	-	-	-
Optional side air vents		-	-	-	-
Optional directional front air vents		-	-	-	-
Installation		wall - flush / corner	wall - flush / corner	wall - flush / corner	wall - flush / corner

\* Calculated on the basis of nominal heat output, referring to rooms with a heating requirement between 0.060 and 0.035 kW per m<sup>3</sup>. We recommend always contacting a heating engineer for the final calculations.



# HYBRID STOVES Infinity Plus LINE

## Data charts



Technical data	Units	E228 M	E228 M	E228 M	E228 M
Version		Top flue outlet	Top flue outlet	Rear flue outlet	Rear flue outlet
Operation		PELLET	Wood-burning	PELLET	Wood-burning
Forced ventilation		-	-	-	-
Ductable		yes	yes	yes	yes
Natural convection		yes	yes	yes	yes
Hermetic		yes	yes	yes	yes
Oven		-	-	-	-
Model		E228 M	E228 M	E228 M	E228 M
Type		SH140-P-09	SH140-W-09	SH140-P-10	SH140-W-10
Energy efficiency class		A+	A+	A+	A+
Room heating capacity *	m <sup>3</sup>	135 - 230	135 - 230	140 - 235	140 - 235
Nominal heat output (min - max)	kW	3,9 - 8,0	- - 8,0	4,1 - 8,2	- - 8,2
Thermal efficiency (min - max)	%	85,1 - 87,0	- - 85,7	90,3 - 88,0	- - 88,3
Nominal consumption (min - max)	kg/h	0,9 - 1,8	- - 2,24	0,9 - 1,9	- - 2,24
Standard flue outlet Ø	cm	15	15	15	15
Hopper capacity	kg	15	-	15	-
Dimensions W x D x H	cm	61 x 61 x 143,4	61 x 61 x 143,4	61 x 61 x 143,4	61 x 61 x 143,4
Size of wood pieces	cm	35 - 38	35 - 38	35 - 38	35 - 38
Firebox opening W x H	cm	31,7 x 33,8	31,7 x 33,8	31,7 x 33,8	31,7 x 33,8
Weight	kg	315	315	315	315
Oven W x D x H		-	-	-	-
Heating		natural convection / ductable forced ventilation	natural convection / ductable forced ventilation	natural convection / ductable forced ventilation	natural convection / ductable forced ventilation
Dual Power System		-	-	-	-
Front ventilation		-	-	-	-
Side ventilation		fixed outlet, optional	fixed outlet, optional	fixed outlet, optional	fixed outlet, optional
Natural Mode		yes	yes	yes	yes
Eco / Energy Saving function		yes / yes	yes / yes	yes / yes	yes / yes
Cladding / Top surface		majolica / majolica	majolica / majolica	majolica / majolica	majolica / majolica
Rolling Top		-	-	-	-
Stove		airtight, steel	airtight, steel	airtight, steel	airtight, steel
Firebox		cast iron	cast iron	cast iron	cast iron
Smoke baffle plate / Brazier		Aluker® / cast iron	Aluker® / cast iron	Aluker® / cast iron	Aluker® / cast iron
Door / Handle		cast iron with self-cleaning ceramic glass resistant up to 750°C / steel and silicone	cast iron with self-cleaning ceramic glass resistant up to 750°C / steel and silicone	cast iron with self-cleaning ceramic glass resistant up to 750°C / steel and silicone	cast iron with self-cleaning ceramic glass resistant up to 750°C / steel and silicone
Removable ash drawer		yes	yes	yes	yes
Ash tray		-	-	-	-
Oven		-	-	-	-
Standard flue outlet position		top	top	rear	rear
Optional flue outlet		-	-	-	-
LCD remote control		standard	standard	standard	standard
Display with digital controls		yes	yes	yes	yes
Power level		5	5	5	5
Ambient probe for temperature control		standard	standard	standard	standard
Programmable timer-thermostat		6 daily time frames	6 daily time frames	6 daily time frames	6 daily time frames
Humidifier		stainless steel	stainless steel	stainless steel	stainless steel
Pellet level sensor		-	-	-	-
Brazier cleaning intervals		yes	yes	yes	yes
Glass cleaning system		continuous air flow	continuous air flow	continuous air flow	continuous air flow
WiFi module- Bluetooth for App MyPIAZZETTA		standard	standard	standard	standard
Ash vacuum cleaner		standard	standard	standard	standard
Optional remote control		-	-	-	-
Optional side air vents		-	-	-	-
Optional directional front air vents		-	-	-	-
Installation		wall - flush / corner	wall - flush / corner	wall - flush / corner	wall - flush / corner

\* Calculated on the basis of nominal heat output, referring to rooms with a heating requirement between 0.060 and 0.035 kW per m<sup>3</sup>. We recommend always contacting a heating engineer for the final calculations.



# HYBRID STOVES Infinity Plus LINE

## Data charts



E228 M-H		E228 M-H		E228 M-H		E228 M-H		E228 K		E228 K	
Top flue outlet		Top flue outlet		Rear flue outlet		Rear flue outlet		Top flue outlet		Top flue outlet	
PELLET		Wood-burning		PELLET		Wood-burning		PELLET		Wood-burning	
-	-	-	-	-	-	-	-	-	-	-	-
yes	yes	yes	yes	yes	yes	yes	yes	yes	yes	yes	yes
yes	yes	yes	yes	yes	yes	yes	yes	yes	yes	yes	yes
yes	yes	yes	yes	yes	yes	yes	yes	yes	yes	yes	yes
-	-	-	-	-	-	-	-	-	-	-	-
E228 M-H	E228 M-H	E228 M-H	E228 M-H	E228 M-H	E228 M-H	E228 K	E228 K	E228 K	E228 K	E228 K	E228 K
SH140-P-09	SH140-W-09	SH140-P-10	SH140-W-10	SH140-P-05	SH140-W-05						
A+	A+	A+	A+	A+	A+						
135 - 230	135 - 230	140 - 235	140 - 235	135 - 230	135 - 230						
3,9 - 8,0	-- 8,0	4,1 - 8,2	-- 8,2	3,9 - 8,0	-- 8,0						
85,1 - 87,0	-- 85,7	90,3 - 88,0	-- 88,3	85,1 - 87,0	-- 85,7						
0,9 - 1,8	-- 2,24	0,9 - 1,9	-- 2,24	0,9 - 1,8	-- 2,1						
15	15	15	15	15	15						
15	15	15	15	40	40						
61 x 61 x 190,6	61 x 61 x 190,6	61 x 61 x 190,6	61 x 61 x 190,6	128,2 x 66,8 x 164,6	128,2 x 66,8 x 164,6						
35 - 38	35 - 38	35 - 38	35 - 38	35 - 38	35 - 38						
31,7 x 33,8	31,7 x 33,8	31,7 x 33,8	31,7 x 33,8	31,7 x 33,8	31,7 x 33,8						
325	325	325	325	406	406						
-	-	-	-	-	-						
optional HSS heat storage system / natural convection / ductable forced ventilation	optional HSS heat storage system / natural convection / ductable forced ventilation	optional HSS heat storage system / natural convection / ductable forced ventilation	optional HSS heat storage system / natural convection / ductable forced ventilation	natural convection / ductable forced ventilation	natural convection / ductable forced ventilation						
-	-	-	-	-	-						
fixed outlet, optional	fixed outlet, optional	fixed outlet, optional	fixed outlet, optional	air vent	air vent						
yes	yes	yes	yes	yes	yes						
yes / yes	yes / yes	yes / yes	yes / yes	yes / yes	yes / yes						
majolica / majolica	majolica / majolica	majolica / majolica	majolica / majolica	majolica / majolica	majolica / majolica						
-	-	-	-	-	-						
airtight, steel	airtight, steel	airtight, steel	airtight, steel	airtight, steel	airtight, steel						
cast iron	cast iron	cast iron	cast iron	cast iron	cast iron						
Aluker® / cast iron	Aluker® / cast iron	Aluker® / cast iron	Aluker® / cast iron	Aluker® / cast iron	Aluker® / cast iron						
cast iron with self-cleaning ceramic glass resistant up to 750°C / steel and silicone	cast iron with self-cleaning ceramic glass resistant up to 750°C / steel and silicone	cast iron with self-cleaning ceramic glass resistant up to 750°C / steel and silicone	cast iron with self-cleaning ceramic glass resistant up to 750°C / steel and silicone	cast iron with self-cleaning ceramic glass resistant up to 750°C / steel and silicone	cast iron with self-cleaning ceramic glass resistant up to 750°C / steel and silicone						
yes	yes	yes	yes	yes	yes						
-	-	-	-	-	-						
top	top	rear	rear	top	top						
-	-	-	-	-	-						
standard	standard	standard	standard	standard	standard						
yes	yes	yes	yes	yes	yes						
5	5	5	5	5	5						
standard	standard	standard	standard	standard	standard						
6 daily time frames	6 daily time frames	6 daily time frames	6 daily time frames	6 daily time frames	6 daily time frames						
stainless steel	stainless steel	stainless steel	stainless steel	stainless steel ( not compatible with storage kit )	stainless steel ( not compatible with storage kit )						
-	-	-	-	-	-						
yes	yes	yes	yes	yes	yes						
continuous air flow	continuous air flow	continuous air flow	continuous air flow	continuous air flow	continuous air flow						
standard	standard	standard	standard	standard	standard						
standard	standard	standard	standard	standard	standard						
-	-	-	-	-	-						
-	-	-	-	-	-						
wall - flush / corner	wall - flush / corner	wall - flush / corner	wall - flush / corner	wall - flush	wall - flush						

Data obtained under laboratory conditions using pellets with heat production rated at greater than or equal to 4.9 kWh/kg. Consumption varies according to the dimensions and type of pellets used. Data obtained using beech wood with moisture content below 16%. Consumption varies according to the type of wood used.

# HYBRID STOVES Infinity Plus LINE

## Data charts



Technical data	Units	E228 K	E228 K
Version		Rear flue outlet	Rear flue outlet
Operation		PELLET	Wood-burning
Forced ventilation		-	-
Ductable		yes	yes
Natural convection		yes	yes
Hermetic		yes	yes
Oven		-	-
Model		E228 K	E228 K
Type		SH140-P-06	SH140-W-06
Energy efficiency class		A+	A+
Room heating capacity *	m <sup>3</sup>	140 - 235	135 - 230
Nominal heat output (min - max)	kW	4,1 - 8,2	-- 8,2
Thermal efficiency (min - max)	%	90,3 - 88,0	-- 89,2
Nominal consumption (min - max)	kg/h	0,9 - 1,9	-- 2,2
Standard flue outlet Ø	cm	15	15
Hopper capacity	kg	40	-
Dimensions W x D x H	cm	128,2 x 66,8 x 164,6	128,2 x 66,8 x 164,6
Size of wood pieces	cm	35 - 38	35 - 38
Firebox opening W x H	cm	31,7 x 33,8	31,7 x 33,8
Weight	kg	406	406
Oven W x D x H		-	-
Heating		natural convection / ductable forced ventilation	natural convection / ductable forced ventilation
Dual Power System		-	-
Front ventilation		air vent	air vent
Side ventilation		-	-
Natural Mode		yes	yes
Eco / Energy Saving function		yes / yes	yes / yes
Cladding / Top surface		majolica / majolica	majolica / majolica
Rolling Top		-	-
Stove		airtight, steel	airtight, steel
Firebox		cast iron	cast iron
Smoke baffle plate / Brazier		Aluker® / cast iron	Aluker® / cast iron
Door / Handle		cast iron with self-cleaning ceramic glass resistant up to 750°C / steel and silicone	cast iron with self-cleaning ceramic glass resistant up to 750°C / steel and silicone
Removable ash drawer		yes	yes
Ash tray		-	-
Oven		-	-
Standard flue outlet position		rear	rear
Optional flue outlet		-	-
LCD remote control		standard	standard
Display with digital controls		yes	yes
Power level		5	5
Ambient probe for temperature control		standard	standard
Programmable timer-thermostat		6 daily time frames	6 daily time frames
Humidifier		stainless steel ( not compatible with storage kit )	stainless steel ( not compatible with storage kit )
Pellet level sensor		-	-
Brazier cleaning intervals		yes	yes
Glass cleaning system		continuous air flow	continuous air flow
WiFi module- Bluetooth for App MyPIAZZETTA		standard	standard
Ash vacuum cleaner		standard	standard
Optional remote control		-	-
Optional side air vents		-	-
Optional directional front air vents		-	-
Installation		wall - flush	wall - flush

\* Calculated on the basis of nominal heat output, referring to rooms with a heating requirement between 0.060 and 0.035 kW per m<sup>3</sup>. We recommend always contacting a heating engineer for the final calculations.

# HYBRID STOVES Infinity Plus LINE

## Data charts



E228 Steel	E228 Steel	E228 Steel	E228 Steel
Top flue outlet PELLET	Top flue outlet Wood-burning	Rear flue outlet PELLET	Rear flue outlet Wood-burning
-	-	-	-
-	-	-	-
yes	yes	yes	yes
yes	yes	yes	yes
-	-	-	-
E228 ST	E228 ST	E228 ST	E228 ST
SH140-P-09	SH140-W-09	SH140-P-10	SH140-W-10
A+	A+	A+	A+
135 - 230	135 - 230	140 - 235	140 - 235
3,9 - 8,0	- - 8,0	4,1 - 8,2	- - 8,2
85,1 - 87,0	- - 85,7	90,3 - 88,0	- - 88,3
0,9 - 1,8	- - 2,24	0,9 - 1,9	- - 2,24
15	15	15	15
15	-	15	-
60 x 59 x 142	60 x 59 x 142	60 x 59 x 142	60 x 59 x 142
35 - 38	35 - 38	35 - 38	35 - 38
31,7 x 33,8	31,7 x 33,8	31,7 x 33,8	31,7 x 33,8
240	240	240	240
-	-	-	-
natural convection / ductable forced ventilation	natural convection / ductable forced ventilation	natural convection / ductable forced ventilation	natural convection / ductable forced ventilation
-	-	-	-
directional air vent	directional air vent	directional air vent	directional air vent
fixed outlet, optional	fixed outlet, optional	fixed outlet, optional	fixed outlet, optional
yes	yes	yes	yes
yes / yes	yes / yes	yes / yes	yes / yes
steel / steel	steel / steel	steel / steel	steel / steel
-	-	-	-
airtight, steel	airtight, steel	airtight, steel	airtight, steel
Aluker®	Aluker®	Aluker®	Aluker®
Aluker® / cast iron	Aluker® / cast iron	Aluker® / cast iron	Aluker® / cast iron
cast iron with self-cleaning ceramic glass resistant up to 750°C / steel and silicone	cast iron with self-cleaning ceramic glass resistant up to 750°C / steel and silicone	cast iron with self-cleaning ceramic glass resistant up to 750°C / steel and silicone	cast iron with self-cleaning ceramic glass resistant up to 750°C / steel and silicone
yes	yes	yes	yes
-	-	-	-
top	top	rear	rear
-	-	-	-
standard	standard	standard	standard
yes	yes	yes	yes
5	5	5	5
standard	standard	standard	standard
6 daily time frames	6 daily time frames	6 daily time frames	6 daily time frames
stainless steel	stainless steel	stainless steel	stainless steel
-	-	-	-
yes	yes	yes	yes
continuous air flow	continuous air flow	continuous air flow	continuous air flow
standard	standard	standard	standard
standard	standard	standard	standard
-	-	-	-
-	-	-	-
wall - flush / corner	wall - flush / corner	wall - flush / corner	wall - flush / corner

Data obtained under laboratory conditions using pellets with heat production rated at greater than or equal to 4.9 kWh/kg. Consumption varies according to the dimensions and type of pellets used. Data obtained using beech wood with moisture content below 16%. Consumption varies according to the type of wood used.

# HYBRID STOVES Infinity Plus LINE

## E228 A



### GENERAL CHARACTERISTICS

- Multifuoco System®: with 4 speed levels, manually or automatically controlled, optional
- Heating: Natural convection / Ductable forced ventilation
- Multicomfort / Multicomfort Plus: Standard
- Front ventilation: directional air vent
- Natural Mode: yes
- Eco / Energy saving function: yes / yes
- Cladding / Top surface: majolica / majolica
- Stove: airtight steel
- Firebox: cast iron
- Smoke baffle plate / Brazier: Aluker® / cast iron
- Door / Handle: cast iron with self-cleaning ceramic glass resistant up to 750°C / steel and silicone
- Removable ash drawer: yes
- Standard flue outlet position: top or rear
- LCD remote control: standard
- WiFi module- Bluetooth for App MyPIAZZETTA: standard
- Control panel with digital controls: yes
- Power level: 5
- Room temperature probe for temperature management: standard
- Programmable timer-thermostat: 6 daily time period settings
- Humidifier: stainless steel
- Regular brazier cleaning: yes
- Glass cleaning: continuous air flow
- Ash vacuum cleaner: standard
- Installation : wall - flush / corner
- Convection heating Majolica: yes
- Pellet Quality system function: yes
- Hybrid wood-pellet stove with natural draught: yes
- Double auger with bottom feeding: yes
- Tertiary air system in pellet mode: yes
- Flue malfunction detection sensor: yes
- Controlled unlocking system of pellet tank and door: yes
- Wood re-load warning: yes
- Pellet level indicator: on remote control

### TECHNICAL DATA

#### Top flue outlet

- Model
- Type
- Room heating capacity (min - max) m<sup>3</sup>
- Nominal heat output (min - max) kW
- Thermal efficiency (min - max) %
- Nominal consumption (min - max) kg/h
- Hopper capacity kg
- Size of wood pieces cm
- Firebox opening W x H cm
- Stove weight kg

	PELLET	Wood-burning
	E228 A	
	SH140-P-09	SH140-W-09
	135 - 230	
	3,9 - 8,0	8,0
	85,1 - 87,0	85,7
	0,9 - 1,8	2,24
	15	-
	35 - 38	
	31,7 x 33,8	
	295	

#### Rear flue outlet

- Model
- Type
- Room heating capacity (min - max) m<sup>3</sup>
- Nominal heat output (min - max) kW
- Thermal efficiency (min - max) %
- Nominal consumption (min - max) kg/h
- Hopper capacity kg
- Size of wood pieces cm
- Firebox opening W x H cm
- Stove weight kg

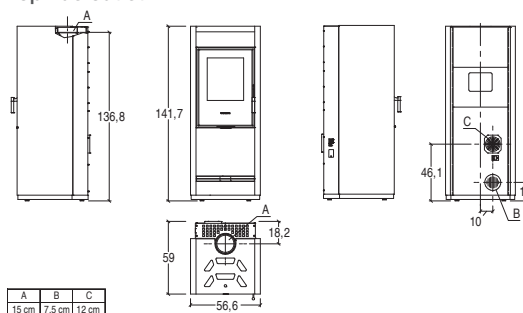
	PELLET	Wood-burning
	E228 A	
	SH140-P-10	SH140-W-10
	140 - 235	
	4,1 - 8,2	8,2
	90,3 - 88,0	88,3
	0,9 - 1,9	2,24
	15	-
	35 - 38	
	31,7 x 33,8	
	295	



CODE EURO

VERSION	- TOP FLUE OUTLET - COMBUSTION AIR KIT, STANDARD	
TOTAL STOVE	<b>7.885,00</b>	
Cladding	BIANCO	P06105300C 1.980,00
	NERO OPACO	P06105160C 1.980,00
	TERRA COTTA	P06105090C 1.980,00
TOTAL STOVE	<b>7.975,00</b>	
Cladding	BIANCO GRIGIO	P06105410C 2.070,00
	ROSSO LAVA	P06105450C 2.070,00
Stove	STUFA E228 A-M-C-CH-MH SCARICO SUPERIORE	P07228005C 5.905,00
<b>Accessories on request</b>		
Multifuoco System® single	P08020860C	500,00
Flexible pipe Ø 12 cm for combustion air	P08010360	34,00 per pack (3 metres)

#### Top flue outlet

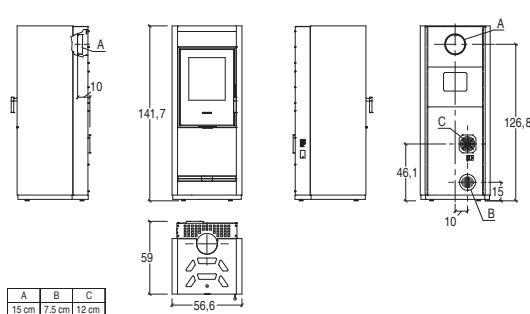


All dimensions in cm.

CODE EURO

VERSION	- REAR FLUE OUTLET - COMBUSTION AIR KIT, STANDARD	
TOTAL STOVE	<b>7.885,00</b>	
Cladding	BIANCO	P06105300C 1.980,00
	NERO OPACO	P06105160C 1.980,00
	TERRA COTTA	P06105090C 1.980,00
TOTAL STOVE	<b>7.975,00</b>	
Cladding	BIANCO GRIGIO	P06105410C 2.070,00
	ROSSO LAVA	P06105450C 2.070,00
Stove	STUFA E228 A-M-C-CH-MH SCARICO POSTERIORE	P07228015C 5.905,00
<b>Accessories on request</b>		
Multifuoco System® single	P08020860C	500,00
Flexible pipe Ø 12 cm for combustion air	P08010360	34,00 per pack (3 metres)

#### Rear flue outlet



All dimensions in cm.

# HYBRID STOVES Infinity Plus LINE

## E228 C without front air vent



### GENERAL CHARACTERISTICS

- Multifuoco System®: with 4 speed levels, manually or automatically controlled, optional
- Heating: Natural convection / Ductable forced ventilation
- Multicomfort / Multicomfort Plus: Standard
- Side ventilation: fixed air vent optional
- Natural Mode: yes
- Eco / Energy saving function: yes / yes
- Cladding / Top surface: majolica / majolica
- Stove: airtight steel
- Firebox: cast iron
- Smoke baffle plate / Brazier: Aluke® / cast iron
- Door / Handle: cast iron with self-cleaning ceramic glass resistant up to 750°C / steel and silicone
- Removable ash drawer: yes
- Standard flue outlet position: top or rear
- LCD remote control: standard
- WiFi module- Bluetooth for App MyPIAZZETTA: standard
- Control panel with digital controls: yes
- Power level: 5
- Room temperature probe for temperature management: standard
- Programmable timer-thermostat: 6 daily time period settings
- Humidifier: stainless steel
- Regular brazier cleaning: yes
- Glass cleaning: continuous air flow
- Ash vacuum cleaner: standard
- Installation : wall - flush / corner
- Convection heating Majolica: yes
- Pellet Quality system function: yes
- Hybrid wood-pellet stove with natural draught: yes
- Double auger with bottom feeding: yes
- Tertiary air system in pellet mode: yes
- Flue malfunction detection sensor: yes
- Controlled unlocking system of pellet tank and door: yes
- Wood re-load warning: yes
- Pellet level indicator: on remote control

### TECHNICAL DATA

#### Top flue outlet

- Model
- Type
- Room heating capacity (min - max)
- Nominal heat output (min - max)
- Thermal efficiency (min - max)
- Nominal consumption (min - max)
- Hopper capacity
- Size of wood pieces
- Firebox opening W x H
- Stove weight

	PELLET	Wood-burning
		E228 C
	SH140-P-09	SH140-W-09
Room heating capacity (min - max)	m³	135 - 230
Nominal heat output (min - max)	kW	3,9 - 8,0
Thermal efficiency (min - max)	%	85,1 - 87,0
Nominal consumption (min - max)	kg/h	0,9 - 1,8
Hopper capacity	kg	15
Size of wood pieces	cm	35 - 38
Firebox opening W x H	cm	31,7 x 33,8
Stove weight	kg	288

#### Rear flue outlet

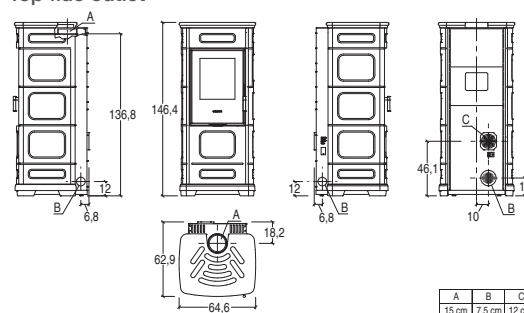
- Model
- Type
- Room heating capacity (min - max)
- Nominal heat output (min - max)
- Thermal efficiency (min - max)
- Nominal consumption (min - max)
- Hopper capacity
- Size of wood pieces
- Firebox opening W x H
- Stove weight

	PELLET	Wood-burning
		E228 C
	SH140-P-10	SH140-W-10
Room heating capacity (min - max)	m³	140 - 235
Nominal heat output (min - max)	kW	4,1 - 8,2
Thermal efficiency (min - max)	%	90,3 - 88,0
Nominal consumption (min - max)	kg/h	0,9 - 1,9
Hopper capacity	kg	15
Size of wood pieces	cm	35 - 38
Firebox opening W x H	cm	31,7 x 33,8
Stove weight	kg	288



VERSION	- WITHOUT FRONT AIR VENT - TOP FLUE OUTLET - COMBUSTION AIR KIT, STANDARD	
<b>TOTAL STOVE</b>		<b>8.330,00</b>
Cladding	BIANCO	P06110300C 2.425,00
	CANAPA	P06110350C 2.425,00
	NERO OPACO	P06110160C 2.425,00
	VERDE MIRTO	P06110250C 2.425,00
<b>TOTAL STOVE</b>		<b>8.415,00</b>
Cladding	BIANCO GRIGIO	P06110410C 2.510,00
	ROSSO LAVA	P06110450C 2.510,00
Stove	STUFA E228 A-M-C-CH-MH SCARICO SUPERIORE	P07228005C 5.905,00
<b>Accessories on request</b>		
	Multifuoco System® single	P08020860C 500,00
	Fixed side warm air vent kit	P08062240C 35,00
	Flexible pipe Ø 12 cm for combustion air	P08010360 34,00 per pack (3 metres)

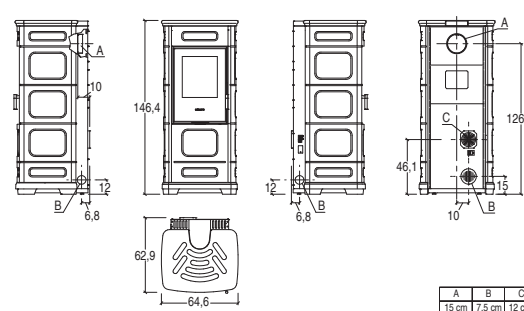
#### Top flue outlet



All dimensions in cm.

VERSION	- WITHOUT FRONT AIR VENT - REAR FLUE OUTLET - COMBUSTION AIR KIT, STANDARD	
<b>TOTAL STOVE</b>		<b>8.330,00</b>
Cladding	BIANCO	P06110300C 2.425,00
	CANAPA	P06110350C 2.425,00
	NERO OPACO	P06110160C 2.425,00
	VERDE MIRTO	P06110250C 2.425,00
<b>TOTAL STOVE</b>		<b>8.415,00</b>
Cladding	BIANCO GRIGIO	P06110410C 2.510,00
	ROSSO LAVA	P06110450C 2.510,00
Stove	STUFA E228 A-M-C-CH-MH SCARICO POSTERIORE	P07228015C 5.905,00
<b>Accessories on request</b>		
	Multifuoco System® single	P08020860C 500,00
	Fixed side warm air vent kit	P08062240C 35,00
	Flexible pipe Ø 12 cm for combustion air	P08010360 34,00 per pack (3 metres)

#### Rear flue outlet



All dimensions in cm.

# HYBRID STOVES Infinity Plus LINE

## E228 C with front air vent



### GENERAL CHARACTERISTICS

- Multifuoco System®: with 4 speed levels, manually or automatically controlled, optional
- Heating: Natural convection / Ductable forced ventilation
- Multicomfort / Multicomfort Plus: Standard
- Front ventilation: directional air vent
- Side ventilation: fixed air vent optional
- Natural Mode: yes
- Eco / Energy saving function: yes / yes
- Cladding / Top surface: majolica / majolica
- Stove: airtight steel
- Firebox: cast iron
- Smoke baffle plate / Brazier: Aluke® / cast iron
- Door / Handle: cast iron with self-cleaning ceramic glass resistant up to 750°C / steel and silicone
- Removable ash drawer: yes
- Standard flue outlet position: top or rear
- LCD remote control: standard
- WiFi module- Bluetooth for App MyPIAZZETTA: standard
- Control panel with digital controls: yes
- Power level: 5
- Room temperature probe for temperature management: standard
- Programmable timer-thermostat: 6 daily time period settings
- Humidifier: stainless steel
- Regular brazier cleaning: yes
- Glass cleaning: continuous air flow
- Ash vacuum cleaner: standard
- Installation : wall - flush / corner
- Convection heating Majolica: yes
- Pellet Quality system function: yes
- Hybrid wood-pellet stove with natural draught: yes
- Double auger with bottom feeding: yes
- Tertiary air system in pellet mode: yes
- Flue malfunction detection sensor: yes
- Controlled unlocking system of pellet tank and door: yes
- Wood re-load warning: yes
- Pellet level indicator: on remote control

### TECHNICAL DATA

#### Top flue outlet

	PELLET	Wood-burning
• Model	E228 C	
• Type	SH140-P-09	SH140-W-09
• Room heating capacity (min - max)	m <sup>3</sup>	135 - 230
• Nominal heat output (min - max)	kW	3,9 - 8,0
• Thermal efficiency (min - max)	%	85,1 - 87,0
• Nominal consumption (min - max)	kg/h	0,9 - 1,8
• Hopper capacity	kg	15
• Size of wood pieces	cm	35 - 38
• Firebox opening W x H	cm	31,7 x 33,8
• Stove weight	kg	288

#### Rear flue outlet

	PELLET	Wood-burning
• Model	E228 C	
• Type	SH140-P-10	SH140-W-10
• Room heating capacity (min - max)	m <sup>3</sup>	140 - 235
• Nominal heat output (min - max)	kW	4,1 - 8,2
• Thermal efficiency (min - max)	%	90,3 - 88,0
• Nominal consumption (min - max)	kg/h	0,9 - 1,9
• Hopper capacity	kg	15
• Size of wood pieces	cm	35 - 38
• Firebox opening W x H	cm	31,7 x 33,8
• Stove weight	kg	288

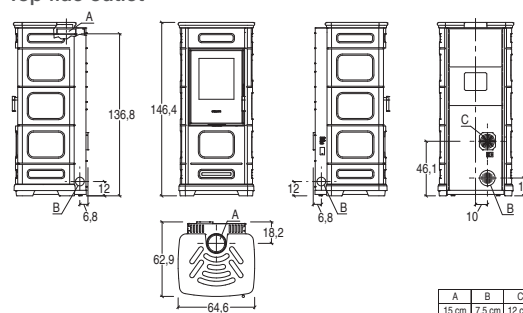


VERSION	- WITH FRONT AIR VENT - TOP FLUE OUTLET - COMBUSTION AIR KIT, STANDARD	
TOTAL STOVE	<b>8.330,00</b>	
Cladding	BIANCO	P06127300C 2.425,00
	CANAPA	P06127350C 2.425,00
	NERO OPACO	P06127160C 2.425,00
	VERDE MIRTO	P06127250C 2.425,00
TOTAL STOVE	<b>8.415,00</b>	
Cladding	BIANCO GRIGIO	P06127410C 2.510,00
	ROSSO LAVA	P06127450C 2.510,00
Stove	STUFA E228 A-M-C-CH-MH SCARICO SUPERIORE	P07228005C 5.905,00

#### Accessories on request

Multifuoco System® single	P08020860C	500,00
Fixed side warm air vent kit	P08062240C	35,00
Flexible pipe Ø 12 cm for combustion air	P08010360	34,00 per pack (3 metres)

#### Top flue outlet



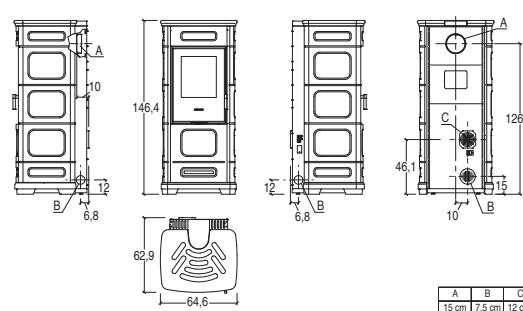
All dimensions in cm.

VERSION	- WITH FRONT AIR VENT - REAR FLUE OUTLET - COMBUSTION AIR KIT, STANDARD	
TOTAL STOVE	<b>8.330,00</b>	
Cladding	BIANCO	P06127300C 2.425,00
	CANAPA	P06127350C 2.425,00
	NERO OPACO	P06127160C 2.425,00
	VERDE MIRTO	P06127250C 2.425,00
TOTAL STOVE	<b>8.415,00</b>	
Cladding	BIANCO GRIGIO	P06127410C 2.510,00
	ROSSO LAVA	P06127450C 2.510,00
Stove	STUFA E228 A-M-C-CH-MH SCARICO POSTERIORE	P07228015C 5.905,00

#### Accessories on request

Multifuoco System® single	P08020860C	500,00
Fixed side warm air vent kit	P08062240C	35,00
Flexible pipe Ø 12 cm for combustion air	P08010360	34,00 per pack (3 metres)

#### Rear flue outlet



All dimensions in cm.



# HYBRID STOVES Infinity Plus LINE

## E228 C-H without front air vent



### GENERAL CHARACTERISTICS

- Multifuoco System®: with 4 speed levels, manually or automatically controlled, optional
- Heating: optional HSS heat storage system / Natural convection / Ductable forced ventilation
- Multicomfort / Multicomfort Plus: Standard
- Side ventilation: fixed air vent optional
- Natural Mode: yes
- Eco / Energy saving function: yes / yes
- Cladding / Top surface: majolica / majolica
- Stove: airtight steel
- Firebox: cast iron
- Smoke baffle plate / Brazier: Aluker® / cast iron
- Door / Handle: cast iron with self-cleaning ceramic glass resistant up to 750°C / steel and silicone
- Removable ash drawer: yes
- Standard flue outlet position: top or rear
- LCD remote control: standard
- WiFi module- Bluetooth for App MyPIAZZETTA: standard
- Control panel with digital controls: yes
- Power level: 5
- Room temperature probe for temperature management: standard
- Programmable timer-thermostat: 6 daily time period settings
- Humidifier: stainless steel
- Regular brazier cleaning: yes
- Glass cleaning: continuous air flow
- HSS accumulation: optional
- Ash vacuum cleaner: standard
- Installation: wall - flush / corner
- Convection heating Majolica: yes
- Pellet Quality system function: yes
- Hybrid wood-pellet stove with natural draught: yes
- Double auger with bottom feeding: yes
- Tertiary air system in pellet mode: yes
- Flue malfunction detection sensor: yes
- Controlled unlocking system of pellet tank and door: yes
- Wood re-load warning: yes
- Pellet level indicator: on remote control

### TECHNICAL DATA

#### Top flue outlet

	PELLET	Wood-burning
Model	E228 C-H	
Type	SH140-P-09	SH140-W-09
Room heating capacity (min - max)	135 - 230 m³	
Nominal heat output (min - max)	3,9 - 8,0 kW	8,0 kW
Thermal efficiency (min - max)	85,1 - 87,0 %	85,7 %
Nominal consumption (min - max)	0,9 - 1,8 kg/h	2,24 kg/h
Hopper capacity	15 kg	-
Size of wood pieces	35 - 38 cm	
Firebox opening W x H	31,7 x 33,8 cm	
Stove weight	320 kg	
Stove weight incl. HSS	543 kg	

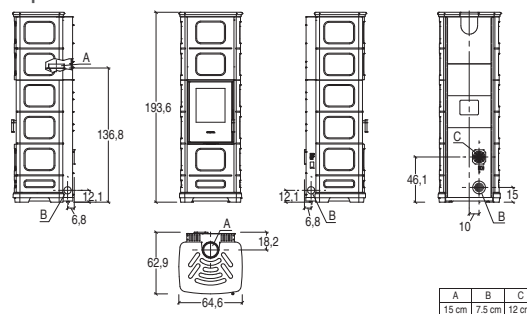
#### Rear flue outlet

	PELLET	Wood-burning
Model	E228 C-H	
Type	SH140-P-10	SH140-W-10
Room heating capacity (min - max)	140 - 235 m³	
Nominal heat output (min - max)	4,1 - 8,2 kW	8,2 kW
Thermal efficiency (min - max)	90,3 - 88,0 %	88,3 %
Nominal consumption (min - max)	0,9 - 1,9 kg/h	2,24 kg/h
Hopper capacity	15 kg	-
Size of wood pieces	35 - 38 cm	
Firebox opening W x H	31,7 x 33,8 cm	
Stove weight	320 kg	
Stove weight incl. HSS	543 kg	



VERSION	- WITHOUT FRONT AIR VENT - TOP FLUE OUTLET - COMBUSTION AIR KIT, STANDARD	
TOTAL STOVE	<b>9.195,00</b>	
Cladding	BIANCO	P06103300C 3.290,00
	CANAPA	P06103350C 3.290,00
	NERO OPACO	P06103160C 3.290,00
	VERDE MIRTO	P06103250C 3.290,00
TOTAL STOVE	<b>9.285,00</b>	
Cladding	BIANCO GRIGIO	P06103410C 3.380,00
	ROSSO LAVA	P06103450C 3.380,00
Stove	STUFA E228 A-M-C-CH-MH SCARICO SUPERIORE	P07228005C 5.905,00
<b>Accessories on request</b>		
Multifuoco System® single	P08020860C	500,00
Fixed side warm air vent kit	P08062240C	35,00
Heat Storage System (HSS) kit	P08062100C	1.230,00
Flexible pipe Ø 12 cm for combustion air	P08010360	34,00 per pack (3 metres)

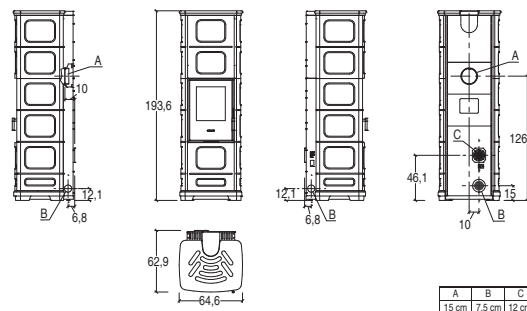
#### Top flue outlet



All dimensions in cm.

VERSION	- WITHOUT FRONT AIR VENT - REAR FLUE OUTLET - COMBUSTION AIR KIT, STANDARD	
TOTAL STOVE	<b>9.195,00</b>	
Cladding	BIANCO	P06103300C 3.290,00
	CANAPA	P06103350C 3.290,00
	NERO OPACO	P06103160C 3.290,00
	VERDE MIRTO	P06103250C 3.290,00
TOTAL STOVE	<b>9.285,00</b>	
Cladding	BIANCO GRIGIO	P06103410C 3.380,00
	ROSSO LAVA	P06103450C 3.380,00
Stove	STUFA E228 A-M-C-CH-MH SCARICO POSTERIORE	P07228015C 5.905,00
<b>Accessories on request</b>		
Multifuoco System® single	P08020860C	500,00
Fixed side warm air vent kit	P08062240C	35,00
Heat Storage System (HSS) kit	P08062100C	1.230,00
Flexible pipe Ø 12 cm for combustion air	P08010360	34,00 per pack (3 metres)

#### Rear flue outlet



All dimensions in cm.

# HYBRID STOVES Infinity Plus LINE

## E228 C-H with front air vent



### GENERAL CHARACTERISTICS

- Multifuoco System®: with 4 speed levels, manually or automatically controlled, optional
- Heating: optional HSS heat storage system / Natural convection / Ductable forced ventilation
- Multicomfort / Multicomfort Plus: Standard
- Front ventilation: directional air vent
- Side ventilation: fixed air vent optional
- Natural Mode: yes
- Eco / Energy saving function: yes / yes
- Cladding / Top surface: majolica / majolica
- Stove: airtight steel
- Firebox: cast iron
- Smoke baffle plate / Brazier: AluKer® / cast iron
- Door / Handle: cast iron with self-cleaning ceramic glass resistant up to 750°C / steel and silicone
- Removable ash drawer: yes
- Standard flue outlet position: top or rear
- LCD remote control: standard
- WiFi module- Bluetooth for App MyPIAZZETTA: standard
- Control panel with digital controls: yes
- Power level: 5
- Room temperature probe for temperature management: standard
- Programmable timer-thermostat: 6 daily time period settings
- Humidifier: stainless steel
- Regular brazier cleaning: yes
- Glass cleaning: continuous air flow
- HSS accumulation: optional
- Ash vacuum cleaner: standard
- Installation: wall - flush / corner
- Convection heating Majolica: yes
- Pellet Quality system function: yes
- Hybrid wood-pellet stove with natural draught: yes
- Double auger with bottom feeding: yes
- Tertiary air system in pellet mode: yes
- Flue malfunction detection sensor: yes
- Controlled unlocking system of pellet tank and door: yes
- Wood re-load warning: yes
- Pellet level indicator: on remote control

### TECHNICAL DATA

#### Top flue outlet

	PELLET	Wood-burning
• Model	E228 C-H	
• Type	SH140-P-09	SH140-W-09
• Room heating capacity (min - max)	m³ 135 - 230	
• Nominal heat output (min - max)	kW 3,9 - 8,0	8,0
• Thermal efficiency (min - max)	% 85,1 - 87,0	85,7
• Nominal consumption (min - max)	kg/h 0,9 - 1,8	2,24
• Hopper capacity	kg 15	-
• Size of wood pieces	cm 35 - 38	
• Firebox opening W x H	cm 31,7 x 33,8	
• Stove weight	kg 320	
• Stove weight incl. HSS	kg 543	

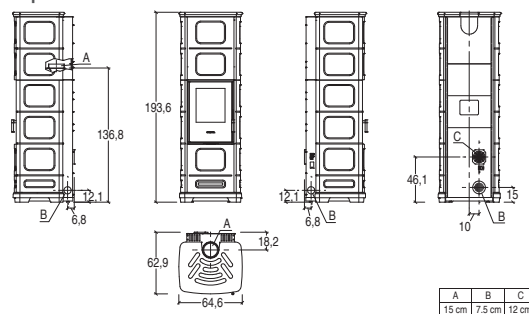
#### Rear flue outlet

	PELLET	Wood-burning
• Model	E228 C-H	
• Type	SH140-P-10	SH140-W-10
• Room heating capacity (min - max)	m³ 140 - 235	
• Nominal heat output (min - max)	kW 4,1 - 8,2	8,2
• Thermal efficiency (min - max)	% 90,3 - 88,0	88,3
• Nominal consumption (min - max)	kg/h 0,9 - 1,9	2,24
• Hopper capacity	kg 15	-
• Size of wood pieces	cm 35 - 38	
• Firebox opening W x H	cm 31,7 x 33,8	
• Stove weight	kg 320	
• Stove weight incl. HSS	kg 543	



VERSION	- WITH FRONT AIR VENT - TOP FLUE OUTLET - COMBUSTION AIR KIT, STANDARD	
TOTAL STOVE	<b>9.195,00</b>	
Cladding	BIANCO	P06129300C 3.290,00
	CANAPA	P06129350C 3.290,00
	NERO OPACO	P06129160C 3.290,00
	VERDE MIRTO	P06129250C 3.290,00
TOTAL STOVE	<b>9.285,00</b>	
Cladding	BIANCO GRIGIO	P06129410C 3.380,00
	ROSSO LAVA	P06129450C 3.380,00
Stove	STUFA E228 A-M-C-CH-MH SCARICO SUPERIORE	P07228005C 5.905,00
<b>Accessories on request</b>		
Multifuoco System® single	P08020860C	500,00
Fixed side warm air vent kit	P08062240C	35,00
Heat Storage System (HSS) kit	P08062100C	1.230,00
Flexible pipe Ø 12 cm for combustion air	P08010360	34,00 per pack (3 metres)

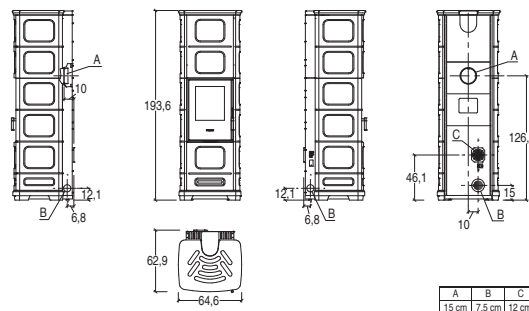
#### Top flue outlet



All dimensions in cm.

VERSION	- WITH FRONT AIR VENT - REAR FLUE OUTLET - COMBUSTION AIR KIT, STANDARD	
TOTAL STOVE	<b>9.195,00</b>	
Cladding	BIANCO	P06129300C 3.290,00
	CANAPA	P06129350C 3.290,00
	NERO OPACO	P06129160C 3.290,00
	VERDE MIRTO	P06129250C 3.290,00
TOTAL STOVE	<b>9.285,00</b>	
Cladding	BIANCO GRIGIO	P06129410C 3.380,00
	ROSSO LAVA	P06129450C 3.380,00
Stove	STUFA E228 A-M-C-CH-MH SCARICO POSTERIORE	P07228015C 5.905,00
<b>Accessories on request</b>		
Multifuoco System® single	P08020860C	500,00
Fixed side warm air vent kit	P08062240C	35,00
Heat Storage System (HSS) kit	P08062100C	1.230,00
Flexible pipe Ø 12 cm for combustion air	P08010360	34,00 per pack (3 metres)

#### Rear flue outlet



All dimensions in cm.



# HYBRID STOVES Infinity Plus LINE

## E228 D



### GENERAL CHARACTERISTICS

- Multifuoco System®: with 4 speed levels, manually or automatically controlled, optional
- Heating: Natural convection / Ductable forced ventilation
- Multicomfort / Multicomfort Plus: Standard
- Front ventilation: directional air vent
- Natural Mode: yes
- Eco / Energy saving function: yes / yes
- Cladding / Top surface: majolica / majolica
- Stove: airtight steel
- Firebox: cast iron
- Smoke baffle plate / Brazier: Aluker® / cast iron
- Door / Handle: cast iron with self-cleaning ceramic glass resistant up to 750°C / steel and silicone
- Removable ash drawer: yes
- Standard flue outlet position: top or rear
- LCD remote control: standard
- WiFi module- Bluetooth for App MyPIAZZETTA: standard
- Control panel with digital controls: yes
- Power level: 5
- Room temperature probe for temperature management: standard
- Programmable timer-thermostat: 6 daily time period settings
- Humidifier: stainless steel
- Regular brazier cleaning: yes
- Glass cleaning: continuous air flow
- Ash vacuum cleaner: standard
- Installation : wall - flush / corner
- Convection heating Majolica: yes
- Pellet Quality system function: yes
- Hybrid wood-pellet stove with natural draught: yes
- Double auger with bottom feeding: yes
- Tertiary air system in pellet mode: yes
- Flue malfunction detection sensor: yes
- Controlled unlocking system of pellet tank and door: yes
- Wood re-load warning: yes
- Pellet level indicator: on remote control

### TECHNICAL DATA

#### Top flue outlet

- Model
- Type
- Room heating capacity (min - max) m<sup>3</sup>
- Nominal heat output (min - max) kW
- Thermal efficiency (min - max) %
- Nominal consumption (min - max) kg/h
- Hopper capacity kg
- Size of wood pieces cm
- Firebox opening W x H cm
- Stove weight kg

	PELLET	Wood-burning
	E228 D	
	SH140-P-09	SH140-W-09
	135 - 230	
	3,9 - 8,0	8,0
	85,1 - 87,0	85,7
	0,9 - 1,8	2,24
	15	-
	35 - 38	
	31,7 x 33,8	
	306	

#### Rear flue outlet

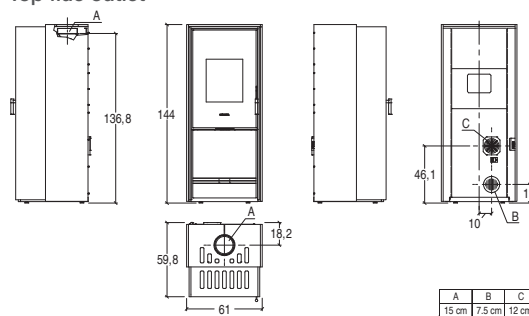
- Model
- Type
- Room heating capacity (min - max) m<sup>3</sup>
- Nominal heat output (min - max) kW
- Thermal efficiency (min - max) %
- Nominal consumption (min - max) kg/h
- Hopper capacity kg
- Size of wood pieces cm
- Firebox opening W x H cm
- Stove weight kg

	PELLET	Wood-burning
	E228 D	
	SH140-P-10	SH140-W-10
	140 - 235	
	4,1 - 8,2	8,2
	90,3 - 88,0	88,3
	0,9 - 1,9	2,24
	15	-
	35 - 38	
	31,7 x 33,8	
	306	



VERSION	- TOP FLUE OUTLET - COMBUSTION AIR KIT, STANDARD		CODE	EURO
TOTAL STOVE				<b>8.310,00</b>
Cladding	BIANCO ANTICO	P06106640C	1.575,00	
	BIANCO ANTICO - NERO OPACO	P06106162C	1.575,00	
	NERO OPACO	P06106160C	1.575,00	
	TERRA COTTA	P06106090C	1.575,00	
TOTAL STOVE				<b>8.405,00</b>
Cladding	MARRONE TENNÉ	P061063B0C	1.670,00	
	ROSSO LAVA	P06106450C	1.670,00	
Stove	STUFA E228 D SCARICO SUPERIORE	P07228105C	6.735,00	
<b>Accessories on request</b>				
Multifuoco System® single	P08020860C	500,00		
Flexible pipe Ø 12 cm for combustion air	P08010360	34,00	per pack (3 metres)	

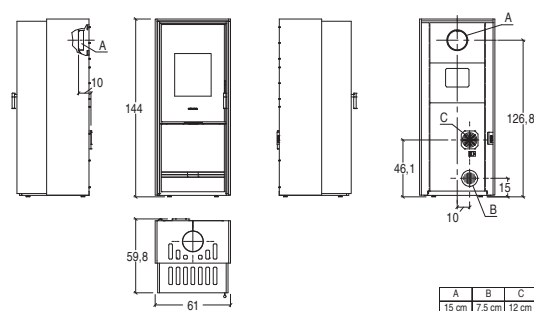
#### Top flue outlet



All dimensions in cm.

VERSION	- REAR FLUE OUTLET - COMBUSTION AIR KIT, STANDARD		CODE	EURO
TOTAL STOVE				<b>8.310,00</b>
Cladding	BIANCO ANTICO	P06106640C	1.575,00	
	BIANCO ANTICO - NERO OPACO	P06106162C	1.575,00	
	NERO OPACO	P06106160C	1.575,00	
	TERRA COTTA	P06106090C	1.575,00	
TOTAL STOVE				<b>8.405,00</b>
Cladding	MARRONE TENNÉ	P061063B0C	1.670,00	
	ROSSO LAVA	P06106450C	1.670,00	
Stove	STUFA E228 D SCARICO POSTERIORE	P07228115C	6.735,00	
<b>Accessories on request</b>				
Multifuoco System® single	P08020860C	500,00		
Flexible pipe Ø 12 cm for combustion air	P08010360	34,00	per pack (3 metres)	

#### Rear flue outlet



All dimensions in cm.

# HYBRID STOVES Infinity Plus LINE

## E228 H



### GENERAL CHARACTERISTICS

- Multifuoco System®: with 4 speed levels, manually or automatically controlled, optional
- Heating: Natural convection / Ductable forced ventilation
- Multicomfort / Multicomfort Plus: Standard
- Front ventilation: air vent
- Natural Mode: yes
- Eco / Energy saving function: yes / yes
- Cladding / Top surface: majolica - steel / majolica
- Stove: airtight steel
- Firebox: cast iron
- Smoke baffle plate / Brazier: Aluker® / cast iron
- Door / Handle: cast iron with self-cleaning ceramic glass resistant up to 750°C / steel and silicone
- Removable ash drawer: yes
- Standard flue outlet position: top or rear
- LCD remote control: standard
- WiFi module- Bluetooth for App MyPIAZZETTA: standard
- Control panel with digital controls: yes
- Power level: 5
- Room temperature probe for temperature management: standard
- Programmable timer-thermostat: 6 daily time period settings
- Humidifier: stainless steel
- Regular brazier cleaning: yes
- Glass cleaning: continuous air flow
- HSS accumulation: optional
- Heat storage system with heat exchanger: optional installable only if fitted together with the Multifuoco System®
- Ash vacuum cleaner: standard
- Installation: wall - flush
- Convection heating Majolica: yes
- Pellet Quality system function: yes
- Hybrid wood-pellet stove with natural draught: yes
- Double auger with bottom feeding: yes
- Tertiary air system in pellet mode: yes
- Flue malfunction detection sensor: yes
- Wood re-load warning: yes
- Pellet level indicator: on remote control

### TECHNICAL DATA

#### Version with top flue outlet

- Model
- Type
- Room heating capacity (min - max) m<sup>3</sup>
- Nominal heat output (min - max) kW
- Thermal efficiency (min - max) %
- Nominal consumption (min - max) kg/h
- Hopper capacity kg
- Size of wood pieces cm
- Firebox opening W x H cm
- Stove weight kg
- Stove weight incl. HSS kg
- Stove weight with heat storage system with heat exchanger kg

	PELLET	Wood-burning
	E228 H	
	SH140-P-05	SH140-W-05
	135 - 230	
	3,9 - 8,0	8,0
	85,1 - 87,0	85,7
	0,9 - 1,8	2,1
	45	-
	35 - 38	
	31,7 x 33,8	
	445	
	522	
	492	

#### Version with rear flue outlet

- Model
- Type
- Room heating capacity (min - max) m<sup>3</sup>
- Nominal heat output (min - max) kW
- Thermal efficiency (min - max) %
- Nominal consumption (min - max) kg/h
- Hopper capacity kg
- Size of wood pieces cm
- Firebox opening W x H cm
- Stove weight kg
- Stove weight incl. HSS kg
- Stove weight with heat storage system with heat exchanger kg

	PELLET	Wood-burning
	E228 H	
	SH140-P-06	SH140-W-06
	140 - 235	
	4,1 - 8,2	8,2
	90,3 - 88,0	89,2
	0,9 - 1,9	2,2
	45	-
	35 - 38	
	31,7 x 33,8	
	445	
	522	
	492	



CODE EURO

VERSION	- TOP FLUE OUTLET - COMBUSTION AIR KIT, STANDARD	
TOTAL STOVE	<b>11.570,00</b>	
Cladding	BIANCO ANTICO	P06235640C 3.965,00
	BIANCO ANTICO - NERO OPACO	P06235161C 3.965,00
	NERO OPACO	P06235160C 3.965,00
	TERRA COTTA	P06235090C 3.965,00

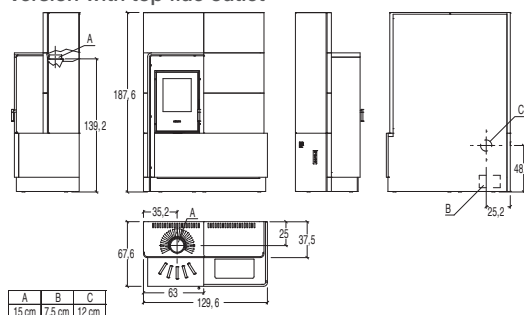
TOTAL STOVE	<b>11.680,00</b>	
Cladding	MARRONE TENNÉ	P062353B0C 4.075,00
	ROSSO LAVA	P06235450C 4.075,00

Stove	STUFA E228 H SCARICO SUPERIORE	P07228300C 7.605,00
-------	--------------------------------	---------------------

#### Accessories on request

Multifuoco System® single	P08027610C	750,00
Heat Storage System (HSS) kit	P08062920C	655,00
Heat storage system with heat exchanger <small>installable only if fitted together with the Multifuoco System®</small>	P08062930C	970,00
Flexible pipe Ø 12 cm for combustion air	P08010360	34,00 per pack (3 metres)

#### Version with top flue outlet



All dimensions in cm.

CODE EURO

VERSION	- REAR FLUE OUTLET - COMBUSTION AIR KIT, STANDARD	
TOTAL STOVE	<b>11.570,00</b>	
Cladding	BIANCO ANTICO	P06235640C 3.965,00
	BIANCO ANTICO - NERO OPACO	P06235161C 3.965,00
	NERO OPACO	P06235160C 3.965,00
	TERRA COTTA	P06235090C 3.965,00

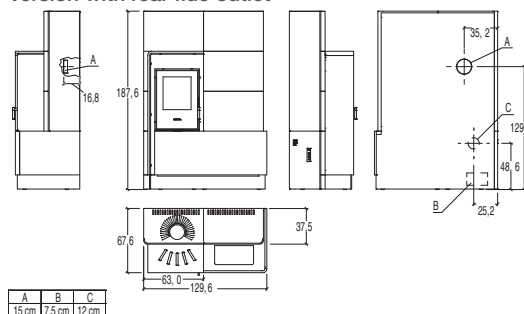
TOTAL STOVE	<b>11.680,00</b>	
Cladding	MARRONE TENNÉ	P062353B0C 4.075,00
	ROSSO LAVA	P06235450C 4.075,00

Stove	STUFA E228 H SCARICO POSTERIORE	P07228310C 7.605,00
-------	---------------------------------	---------------------

#### Accessories on request

Multifuoco System® single	P08027610C	750,00
Heat Storage System (HSS) kit	P08062920C	655,00
Heat storage system with heat exchanger <small>installable only if fitted together with the Multifuoco System®</small>	P08062930C	970,00
Flexible pipe Ø 12 cm for combustion air	P08010360	34,00 per pack (3 metres)

#### Version with rear flue outlet



All dimensions in cm.

# HYBRID STOVES Infinity Plus LINE

## E228 M without front air vent



### GENERAL CHARACTERISTICS

- Multifuoco System®: with 4 speed levels, manually or automatically controlled, optional
- Heating: Natural convection / Ductable forced ventilation
- Multicomfort / Multicomfort Plus: Standard
- Side ventilation: fixed air vent optional
- Natural Mode: yes
- Eco / Energy saving function: yes / yes
- Cladding / Top surface: majolica / majolica
- Stove: airtight steel
- Firebox: cast iron
- Smoke baffle plate / Brazier: Aluker® / cast iron
- Door / Handle: cast iron with self-cleaning ceramic glass resistant up to 750°C / steel and silicone
- Removable ash drawer: yes
- Standard flue outlet position: top or rear
- LCD remote control: standard
- WiFi module- Bluetooth for App MyPIAZZETTA: standard
- Control panel with digital controls: yes
- Power level: 5
- Room temperature probe for temperature management: standard
- Programmable timer-thermostat: 6 daily time period settings
- Humidifier: stainless steel
- Regular brazier cleaning: yes
- Glass cleaning: continuous air flow
- Ash vacuum cleaner: standard
- Installation : wall - flush / corner
- Convection heating Majolica: yes
- Pellet Quality system function: yes
- Hybrid wood-pellet stove with natural draught: yes
- Double auger with bottom feeding: yes
- Tertiary air system in pellet mode: yes
- Flue malfunction detection sensor: yes
- Controlled unlocking system of pellet tank and door: yes
- Wood re-load warning: yes
- Pellet level indicator: on remote control

### TECHNICAL DATA

#### Top flue outlet

- Model
- Type
- Room heating capacity (min - max)
- Nominal heat output (min - max)
- Thermal efficiency (min - max)
- Nominal consumption (min - max)
- Hopper capacity
- Size of wood pieces
- Firebox opening W x H
- Stove weight

	PELLET	Wood-burning
	E228 M	
	SH140-P-09	SH140-W-09
Room heating capacity (min - max)	135 - 230	
Nominal heat output (min - max)	3,9 - 8,0	8,0
Thermal efficiency (min - max)	85,1 - 87,0	85,7
Nominal consumption (min - max)	0,9 - 1,8	2,24
Hopper capacity	15	-
Size of wood pieces	35 - 38	
Firebox opening W x H	31,7 x 33,8	
Stove weight	315	

#### Rear flue outlet

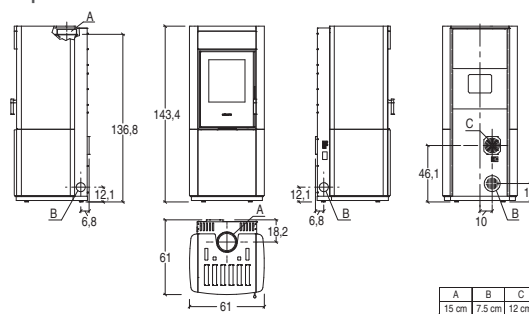
- Model
- Type
- Room heating capacity (min - max)
- Nominal heat output (min - max)
- Thermal efficiency (min - max)
- Nominal consumption (min - max)
- Hopper capacity
- Size of wood pieces
- Firebox opening W x H
- Stove weight

	PELLET	Wood-burning
	E228 M	
	SH140-P-10	SH140-W-10
Room heating capacity (min - max)	140 - 235	
Nominal heat output (min - max)	4,1 - 8,2	8,2
Thermal efficiency (min - max)	90,3 - 88,0	88,3
Nominal consumption (min - max)	0,9 - 1,9	2,24
Hopper capacity	15	-
Size of wood pieces	35 - 38	
Firebox opening W x H	31,7 x 33,8	
Stove weight	315	



VERSION	- WITHOUT FRONT AIR VENT - TOP FLUE OUTLET - COMBUSTION AIR KIT, STANDARD	
TOTAL STOVE	<b>7.890,00</b>	
Cladding	BIANCO CALCE	P06107940C 1.985,00
	NERO OPACO	P06107160C 1.985,00
	TERRA COTTA	P06107090C 1.985,00
TOTAL STOVE	<b>7.975,00</b>	
Cladding	BIANCO GRIGIO	P06107410C 2.070,00
	ROSSO LAVA	P06107450C 2.070,00
	MARRONE TENNÉ	P061073B0C 2.070,00
Stove	STUFA E228 A-M-C-CH-MH SCARICO SUPERIORE	P07228005C 5.905,00
<b>Accessories on request</b>		
Multifuoco System® single	P08020860C	500,00
Fixed side warm air vent kit	P08062240C	35,00
Flexible pipe Ø 12 cm for combustion air	P08010360	34,00 per pack (3 metres)

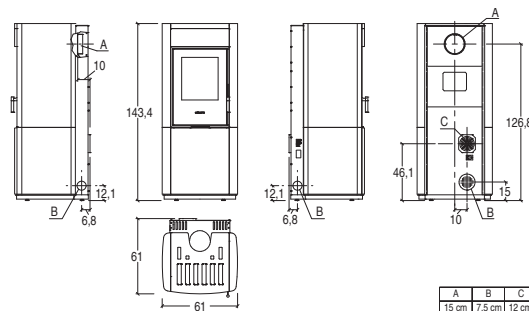
#### Top flue outlet



All dimensions in cm.

VERSION	- WITHOUT FRONT AIR VENT - REAR FLUE OUTLET - COMBUSTION AIR KIT, STANDARD	
TOTAL STOVE	<b>7.890,00</b>	
Cladding	BIANCO CALCE	P06107940C 1.985,00
	NERO OPACO	P06107160C 1.985,00
	TERRA COTTA	P06107090C 1.985,00
TOTAL STOVE	<b>7.975,00</b>	
Cladding	BIANCO GRIGIO	P06107410C 2.070,00
	ROSSO LAVA	P06107450C 2.070,00
	MARRONE TENNÉ	P061073B0C 2.070,00
Stove	STUFA E228 A-M-C-CH-MH SCARICO POSTERIORE	P07228015C 5.905,00
<b>Accessories on request</b>		
Multifuoco System® single	P08020860C	500,00
Fixed side warm air vent kit	P08062240C	35,00
Flexible pipe Ø 12 cm for combustion air	P08010360	34,00 per pack (3 metres)

#### Rear flue outlet



All dimensions in cm.

# HYBRID STOVES Infinity Plus LINE

## E228 M with front air vent



### GENERAL CHARACTERISTICS

- Multifuoco System®: with 4 speed levels, manually or automatically controlled, optional
- Heating: Natural convection / Ductable forced ventilation
- Multicomfort / Multicomfort Plus: Standard
- Front ventilation: directional air vent
- Side ventilation: fixed air vent optional
- Natural Mode: yes
- Eco / Energy saving function: yes / yes
- Cladding / Top surface: majolica / majolica
- Stove: airtight steel
- Firebox: cast iron
- Smoke baffle plate / Brazier: Aluke® / cast iron
- Door / Handle: cast iron with self-cleaning ceramic glass resistant up to 750°C / steel and silicone
- Removable ash drawer: yes
- Standard flue outlet position: top or rear
- LCD remote control: standard
- WiFi module- Bluetooth for App MyPIAZZETTA: standard
- Control panel with digital controls: yes
- Power level: 5
- Room temperature probe for temperature management: standard
- Programmable timer-thermostat: 6 daily time period settings
- Humidifier: stainless steel
- Regular brazier cleaning: yes
- Glass cleaning: continuous air flow
- Ash vacuum cleaner: standard
- Installation : wall - flush / corner
- Convection heating Majolica: yes
- Pellet Quality system function: yes
- Hybrid wood-pellet stove with natural draught: yes
- Double auger with bottom feeding: yes
- Tertiary air system in pellet mode: yes
- Flue malfunction detection sensor: yes
- Controlled unlocking system of pellet tank and door: yes
- Wood re-load warning: yes
- Pellet level indicator: on remote control

### TECHNICAL DATA

#### Top flue outlet

	PELLET	Wood-burning
• Model	E228 M	
• Type	SH140-P-09	SH140-W-09
• Room heating capacity (min - max)	m³ 135 - 230	
• Nominal heat output (min - max)	kW 3,9 - 8,0	
• Thermal efficiency (min - max)	% 85,1 - 87,0	
• Nominal consumption (min - max)	kg/h 0,9 - 1,8	
• Hopper capacity	kg 15	
• Size of wood pieces	cm 35 - 38	
• Firebox opening W x H	cm 31,7 x 33,8	
• Stove weight	kg 315	

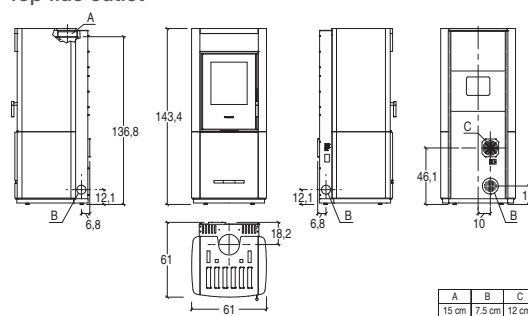
#### Rear flue outlet

	PELLET	Wood-burning
• Model	E228 M	
• Type	SH140-P-10	SH140-W-10
• Room heating capacity (min - max)	m³ 140 - 235	
• Nominal heat output (min - max)	kW 4,1 - 8,2	
• Thermal efficiency (min - max)	% 90,3 - 88,0	
• Nominal consumption (min - max)	kg/h 0,9 - 1,9	
• Hopper capacity	kg 15	
• Size of wood pieces	cm 35 - 38	
• Firebox opening W x H	cm 31,7 x 33,8	
• Stove weight	kg 315	



VERSION	- WITH FRONT AIR VENT - TOP FLUE OUTLET - COMBUSTION AIR KIT, STANDARD	
TOTAL STOVE	<b>7.890,00</b>	
Cladding	BIANCO CALCE	P06157940C 1.985,00
	NERO OPACO	P06157160C 1.985,00
	TERRA COTTA	P06157090C 1.985,00
TOTAL STOVE	<b>7.975,00</b>	
Cladding	BIANCO GRIGIO	P06157410C 2.070,00
	ROSSO LAVA	P06157450C 2.070,00
	MARRONE TENNÉ	P061573B0C 2.070,00
Stove	STUFA E228 A-M-C-CH-MH SCARICO SUPERIORE	P07228005C 5.905,00
<b>Accessories on request</b>		
	Multifuoco System® single	P08020860C 500,00
	Fixed side warm air vent kit	P08062240C 35,00
	Flexible pipe Ø 12 cm for combustion air	P08010360 34,00 per pack (3 metres)

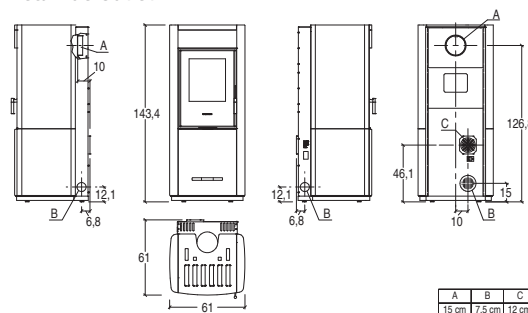
#### Top flue outlet



All dimensions in cm.

VERSION	- WITH FRONT AIR VENT - REAR FLUE OUTLET - COMBUSTION AIR KIT, STANDARD	
TOTAL STOVE	<b>7.890,00</b>	
Cladding	BIANCO CALCE	P06157940C 1.985,00
	NERO OPACO	P06157160C 1.985,00
	TERRA COTTA	P06157090C 1.985,00
TOTAL STOVE	<b>7.975,00</b>	
Cladding	BIANCO GRIGIO	P06157410C 2.070,00
	ROSSO LAVA	P06157450C 2.070,00
	MARRONE TENNÉ	P061573B0C 2.070,00
Stove	STUFA E228 A-M-C-CH-MH SCARICO POSTERIORE	P07228015C 5.905,00
<b>Accessories on request</b>		
	Multifuoco System® single	P08020860C 500,00
	Fixed side warm air vent kit	P08062240C 35,00
	Flexible pipe Ø 12 cm for combustion air	P08010360 34,00 per pack (3 metres)

#### Rear flue outlet



All dimensions in cm.

# HYBRID STOVES Infinity Plus LINE

## E228 M-H without front air vent



### GENERAL CHARACTERISTICS

- Multifuoco System®: with 4 speed levels, manually or automatically controlled, optional
- Heating: optional HSS heat storage system / Natural convection / Ductable forced ventilation
- Multicomfort / Multicomfort Plus: Standard
- Side ventilation: fixed air vent optional
- Natural Mode: yes
- Eco / Energy saving function: yes / yes
- Cladding / Top surface: majolica / majolica
- Stove: airtight steel
- Firebox: cast iron
- Smoke baffle plate / Brazier: Aluker® / cast iron
- Door / Handle: cast iron with self-cleaning ceramic glass resistant up to 750°C / steel and silicone
- Removable ash drawer: yes
- Standard flue outlet position: top or rear
- LCD remote control: standard
- WiFi module- Bluetooth for App MyPIAZZETTA: standard
- Control panel with digital controls: yes
- Power level: 5
- Room temperature probe for temperature management: standard
- Programmable timer-thermostat: 6 daily time period settings
- Humidifier: stainless steel
- Regular brazier cleaning: yes
- Glass cleaning: continuous air flow
- HSS accumulation: optional
- Ash vacuum cleaner: standard
- Installation: wall - flush / corner
- Convection heating Majolica: yes
- Pellet Quality system function: yes
- Hybrid wood-pellet stove with natural draught: yes
- Double auger with bottom feeding: yes
- Tertiary air system in pellet mode: yes
- Flue malfunction detection sensor: yes
- Controlled unlocking system of pellet tank and door: yes
- Wood re-load warning: yes
- Pellet level indicator: on remote control

### TECHNICAL DATA

#### Top flue outlet

	PELLET	Wood-burning
• Model	E228 M-H	
• Type	SH140-P-09	SH140-W-09
• Room heating capacity (min - max)	135 - 230 m <sup>3</sup>	
• Nominal heat output (min - max)	3,9 - 8,0 kW	8,0 kW
• Thermal efficiency (min - max)	85,1 - 87,0 %	85,7 %
• Nominal consumption (min - max)	0,9 - 1,8 kg/h	2,24 kg/h
• Hopper capacity	15 kg	-
• Size of wood pieces	35 - 38 cm	
• Firebox opening W x H	31,7 x 33,8 cm	
• Stove weight	325 kg	
• Stove weight incl. HSS	548 kg	

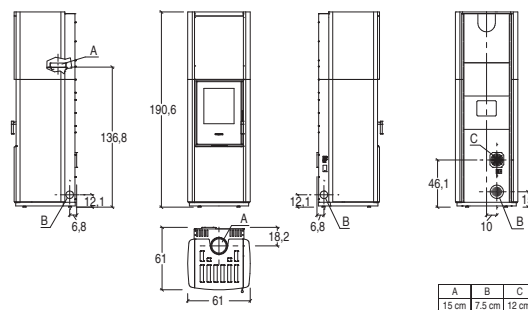
#### Rear flue outlet

	PELLET	Wood-burning
• Model	E228 M-H	
• Type	SH140-P-10	SH140-W-10
• Room heating capacity (min - max)	140 - 235 m <sup>3</sup>	
• Nominal heat output (min - max)	4,1 - 8,2 kW	8,2 kW
• Thermal efficiency (min - max)	90,3 - 88,0 %	88,3 %
• Nominal consumption (min - max)	0,9 - 1,9 kg/h	2,24 kg/h
• Hopper capacity	15 kg	-
• Size of wood pieces	35 - 38 cm	
• Firebox opening W x H	31,7 x 33,8 cm	
• Stove weight	325 kg	
• Stove weight incl. HSS	548 kg	



VERSION	- WITHOUT FRONT AIR VENT - TOP FLUE OUTLET - COMBUSTION AIR KIT, STANDARD	
TOTAL STOVE	<b>9.045,00</b>	
Cladding	BIANCO CALCE	P06104940C 3.140,00
	NERO OPACO	P06104160C 3.140,00
	TERRA COTTA	P06104090C 3.140,00
TOTAL STOVE	<b>9.135,00</b>	
Cladding	BIANCO GRIGIO	P06104410C 3.230,00
	ROSSO LAVA	P06104450C 3.230,00
	MARRONE TENNÉ	P061043B0C 3.230,00
Stove	STUFA E228 A-M-C-CH-MH SCARICO SUPERIORE	P07228005C 5.905,00
<b>Accessories on request</b>		
	Multifuoco System® single	P08020860C 500,00
	Fixed side warm air vent kit	P08062240C 35,00
	Heat Storage System (HSS) kit	P08062100C 1.230,00
	Flexible pipe Ø 12 cm for combustion air	P08010360 34,00 per pack (3 metres)

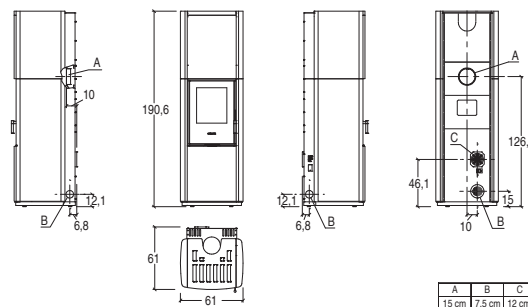
#### Top flue outlet



All dimensions in cm.

VERSION	- WITHOUT FRONT AIR VENT - REAR FLUE OUTLET - COMBUSTION AIR KIT, STANDARD	
TOTAL STOVE	<b>9.045,00</b>	
Cladding	BIANCO CALCE	P06104940C 3.140,00
	NERO OPACO	P06104160C 3.140,00
	TERRA COTTA	P06104090C 3.140,00
TOTAL STOVE	<b>9.135,00</b>	
Cladding	BIANCO GRIGIO	P06104410C 3.230,00
	ROSSO LAVA	P06104450C 3.230,00
	MARRONE TENNÉ	P061043B0C 3.230,00
Stove	STUFA E228 A-M-C-CH-MH SCARICO POSTERIORE	P07228015C 5.905,00
<b>Accessories on request</b>		
	Multifuoco System® single	P08020860C 500,00
	Fixed side warm air vent kit	P08062240C 35,00
	Heat Storage System (HSS) kit	P08062100C 1.230,00
	Flexible pipe Ø 12 cm for combustion air	P08010360 34,00 per pack (3 metres)

#### Rear flue outlet



All dimensions in cm.



# HYBRID STOVES Infinity Plus LINE

## E228 M-H with front air vent



### GENERAL CHARACTERISTICS

- Multifuoco System®: with 4 speed levels, manually or automatically controlled, optional
- Heating: optional HSS heat storage system / Natural convection / Ductable forced ventilation
- Multicomfort / Multicomfort Plus: Standard
- Front ventilation: directional air vent
- Side ventilation: fixed air vent optional
- Natural Mode: yes
- Eco / Energy saving function: yes / yes
- Cladding / Top surface: majolica / majolica
- Stove: airtight steel
- Firebox: cast iron
- Smoke baffle plate / Brazier: Aluker® / cast iron
- Door / Handle: cast iron with self-cleaning ceramic glass resistant up to 750°C / steel and silicone
- Removable ash drawer: yes
- Standard flue outlet position: top or rear
- LCD remote control: standard
- WiFi module- Bluetooth for App MyPIAZZETTA: standard
- Control panel with digital controls: yes
- Power level: 5
- Room temperature probe for temperature management: standard
- Programmable timer-thermostat: 6 daily time period settings
- Humidifier: stainless steel
- Regular brazier cleaning: yes
- Glass cleaning: continuous air flow
- HSS accumulation: optional
- Ash vacuum cleaner: standard
- Installation: wall - flush / corner
- Convection heating Majolica: yes
- Pellet Quality system function: yes
- Hybrid wood-pellet stove with natural draught: yes
- Double auger with bottom feeding: yes
- Tertiary air system in pellet mode: yes
- Flue malfunction detection sensor: yes
- Controlled unlocking system of pellet tank and door: yes
- Wood re-load warning: yes
- Pellet level indicator: on remote control

### TECHNICAL DATA

#### Top flue outlet

	PELLET	Wood-burning
• Model	E228 M-H	
• Type	SH140-P-09	SH140-W-09
• Room heating capacity (min - max)	m³	135 - 230
• Nominal heat output (min - max)	kW	3,9 - 8,0
• Thermal efficiency (min - max)	%	85,1 - 87,0
• Nominal consumption (min - max)	kg/h	0,9 - 1,8
• Hopper capacity	kg	15
• Size of wood pieces	cm	35 - 38
• Firebox opening W x H	cm	31,7 x 33,8
• Stove weight	kg	325
• Stove weight incl. HSS	kg	548

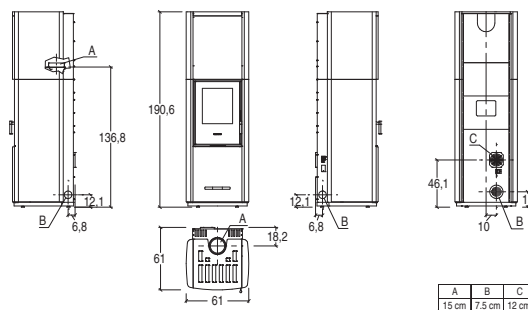
#### Rear flue outlet

	PELLET	Wood-burning
• Model	E228 M-H	
• Type	SH140-P-10	SH140-W-10
• Room heating capacity (min - max)	m³	140 - 235
• Nominal heat output (min - max)	kW	4,1 - 8,2
• Thermal efficiency (min - max)	%	90,3 - 88,0
• Nominal consumption (min - max)	kg/h	0,9 - 1,9
• Hopper capacity	kg	15
• Size of wood pieces	cm	35 - 38
• Firebox opening W x H	cm	31,7 x 33,8
• Stove weight	kg	325
• Stove weight incl. HSS	kg	548



VERSION	- WITH FRONT AIR VENT - TOP FLUE OUTLET - COMBUSTION AIR KIT, STANDARD	
TOTAL STOVE		<b>9.045,00</b>
Cladding	BIANCO CALCE	P06158940C 3.140,00
	NERO OPACO	P06158160C 3.140,00
	TERRA COTTA	P06158090C 3.140,00
TOTAL STOVE		<b>9.135,00</b>
Cladding	BIANCO GRIGIO	P06158410C 3.230,00
	ROSSO LAVA	P06158450C 3.230,00
	MARRONE TENNÉ	P061583B0C 3.230,00
Stove	STUFA E228 A-M-C-CH-MH SCARICO SUPERIORE	P07228005C 5.905,00
<b>Accessories on request</b>		
	Multifuoco System® single	P08020860C 500,00
	Fixed side warm air vent kit	P08062240C 35,00
	Heat Storage System (HSS) kit	P08062100C 1.230,00
	Flexible pipe Ø 12 cm for combustion air	P08010360 34,00 per pack (3 metres)

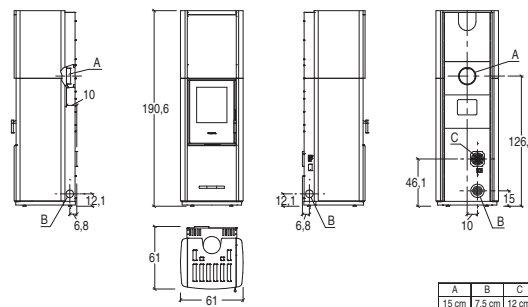
#### Top flue outlet



All dimensions in cm.

VERSION	- WITH FRONT AIR VENT - REAR FLUE OUTLET - COMBUSTION AIR KIT, STANDARD	
TOTAL STOVE		<b>9.045,00</b>
Cladding	BIANCO CALCE	P06158940C 3.140,00
	NERO OPACO	P06158160C 3.140,00
	TERRA COTTA	P06158090C 3.140,00
TOTAL STOVE		<b>9.135,00</b>
Cladding	BIANCO GRIGIO	P06158410C 3.230,00
	ROSSO LAVA	P06158450C 3.230,00
	MARRONE TENNÉ	P061583B0C 3.230,00
Stove	STUFA E228 A-M-C-CH-MH SCARICO POSTERIORE	P07228015C 5.905,00
<b>Accessories on request</b>		
	Multifuoco System® single	P08020860C 500,00
	Fixed side warm air vent kit	P08062240C 35,00
	Heat Storage System (HSS) kit	P08062100C 1.230,00
	Flexible pipe Ø 12 cm for combustion air	P08010360 34,00 per pack (3 metres)

#### Rear flue outlet



All dimensions in cm.

# HYBRID STOVES Infinity Plus LINE

## E228 K



### GENERAL CHARACTERISTICS

- Multifuoco System®: with 4 speed levels, manually or automatically controlled, optional
- Heating: Natural convection / Ductable forced ventilation
- Multicomfort / Multicomfort Plus: Standard
- Front ventilation: air vent
- Natural Mode: yes
- Eco / Energy saving function: yes / yes
- Cladding / Top surface: majolica / majolica
- Stove: airtight steel
- Firebox: cast iron
- Smoke baffle plate / Brazier: AluKer® / cast iron
- Door / Handle: cast iron with self-cleaning ceramic glass resistant up to 750°C / steel and silicone
- Removable ash drawer: yes
- Standard flue outlet position: top or rear
- LCD remote control: standard
- WiFi module- Bluetooth for App MyPIAZZETTA: standard
- Control panel with digital controls: yes
- Power level: 5
- Room temperature probe for temperature management: standard
- Programmable timer-thermostat: 6 daily time period settings
- Humidifier: optional (only on top flue version)
- Regular brazier cleaning: yes
- Glass cleaning: continuous air flow
- HSS accumulation: optional
- Heat storage system with heat exchanger: optional installable only if fitted together with the Multifuoco System®
- Ash vacuum cleaner: standard
- Installation: wall - flush
- Convection heating Majolica: yes
- Pellet Quality system function: yes
- Hybrid wood-pellet stove with natural draught: yes
- Double auger with bottom feeding: yes
- Tertiary air system in pellet mode: yes
- Flue malfunction detection sensor: yes
- Wood re-load warning: yes
- Pellet level indicator: on remote control

### TECHNICAL DATA

#### Version with top flue outlet

- Model
- Type
- Room heating capacity (min - max) m<sup>3</sup>
- Nominal heat output (min - max) kW
- Thermal efficiency (min - max) %
- Nominal consumption (min - max) kg/h
- Hopper capacity kg
- Size of wood pieces cm
- Firebox opening W x H cm
- Stove weight kg
- Stove weight incl. HSS kg
- Stove weight with heat storage system with heat exchanger kg

	PELLET	Wood-burning
		E228 K
	SH140-P-05	SH140-W-05
		135 - 230
		3,9 - 8,0
		85,1 - 87,0
		0,9 - 1,8
		40
		35 - 38
		31,7 x 33,8
		406
		494
		453

#### Version with rear flue outlet

- Model
- Type
- Room heating capacity (min - max) m<sup>3</sup>
- Nominal heat output (min - max) kW
- Thermal efficiency (min - max) %
- Nominal consumption (min - max) kg/h
- Hopper capacity kg
- Size of wood pieces cm
- Firebox opening W x H cm
- Stove weight kg
- Stove weight incl. HSS kg
- Stove weight with heat storage system with heat exchanger kg

	PELLET	Wood-burning
		E228 K
	SH140-P-06	SH140-W-06
		140 - 235
		4,1 - 8,2
		90,3 - 88,0
		0,9 - 1,9
		40
		35 - 38
		31,7 x 33,8
		406
		494
		453



CODE EURO

VERSION	- TOP FLUE OUTLET - COMBUSTION AIR KIT, STANDARD	
TOTAL STOVE		<b>12.395,00</b>
Cladding	BIANCO	P06234300C 4.630,00
	CANAPA	P06234350C 4.630,00
	NERO OPACO	P06234160C 4.630,00
	VERDE MIRTO	P06234250C 4.630,00

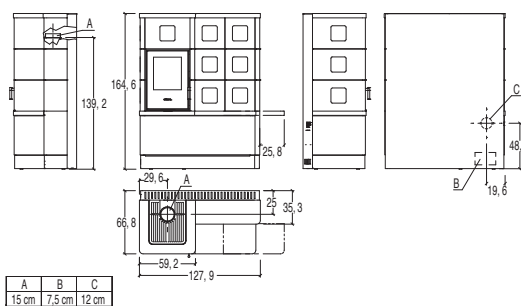
TOTAL STOVE		<b>12.505,00</b>
Cladding	BIANCO GRIGIO	P06234410C 4.740,00
	ROSSO LAVA	P06234450C 4.740,00

Stove	STUFA E228 K SCARICO SUPERIORE	P07228200C 7.765,00
-------	--------------------------------	---------------------

#### Accessories on request

Multifuoco System® single	P08027610C	750,00
Heat Storage System (HSS) kit	P08062900C	655,00
Heat storage system with heat exchanger <small>installable only if fitted together with the Multifuoco System®</small>	P08062910C	970,00
Flexible pipe Ø 12 cm for combustion air	P08010360	34,00 per pack (3 metres)

#### Version with top flue outlet



All dimensions in cm.

CODE EURO

VERSION	- REAR FLUE OUTLET - COMBUSTION AIR KIT, STANDARD	
TOTAL STOVE		<b>12.395,00</b>
Cladding	BIANCO	P06234300C 4.630,00
	CANAPA	P06234350C 4.630,00
	NERO OPACO	P06234160C 4.630,00
	VERDE MIRTO	P06234250C 4.630,00

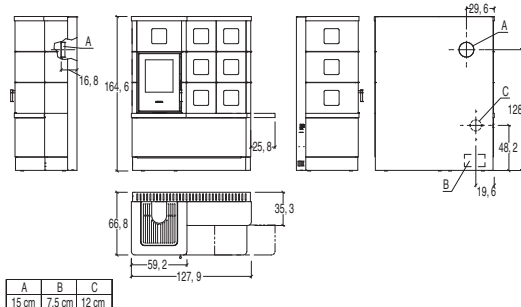
TOTAL STOVE		<b>12.505,00</b>
Cladding	BIANCO GRIGIO	P06234410C 4.740,00
	ROSSO LAVA	P06234450C 4.740,00

Stove	STUFA E228 K SCARICO POSTERIORE	P07228210C 7.765,00
-------	---------------------------------	---------------------

#### Accessories on request

Multifuoco System® single	P08027610C	750,00
Heat Storage System (HSS) kit	P08062900C	655,00
Heat storage system with heat exchanger <small>installable only if fitted together with the Multifuoco System®</small>	P08062910C	970,00
Flexible pipe Ø 12 cm for combustion air	P08010360	34,00 per pack (3 metres)

#### Version with rear flue outlet



All dimensions in cm.

# HYBRID STOVES Infinity Plus LINE

## E228 STEEL



### GENERAL CHARACTERISTICS

- Multifuoco System®: with 4 speed levels, manually or automatically controlled, optional
- Heating: Natural convection / Ductable forced ventilation
- Multicomfort / Multicomfort Plus: Standard
- Front ventilation: directional air vent
- Side ventilation: fixed air vent optional
- Natural Mode: yes
- Eco / Energy saving function: yes / yes
- Cladding / Top surface: steel / steel
- Stove: airtight steel
- Firebox: AluKer®
- Smoke baffle plate / Brazier: AluKer® / cast iron
- Door / Handle: cast iron with self-cleaning ceramic glass resistant up to 750°C / steel and silicone
- Removable ash drawer: yes
- Standard flue outlet position: top or rear
- LCD remote control: standard
- WiFi module- Bluetooth for App MyPIAZZETTA: standard
- Control panel with digital controls: yes
- Power level: 5
- Room temperature probe for temperature management: standard
- Programmable timer-thermostat: 6 daily time period settings
- Humidifier: stainless steel
- Regular brazier cleaning: yes
- Glass cleaning: continuous air flow
- Ash vacuum cleaner: standard
- Installation : wall - flush / corner
- Pellet Quality system function: yes
- Hybrid wood-pellet stove with natural draught: yes
- Double auger with bottom feeding: yes
- Tertiary air system in pellet mode: yes
- Flue malfunction detection sensor: yes
- Controlled unlocking system of pellet tank and door: yes
- Wood re-load warning: yes
- Pellet level indicator: on remote control

### TECHNICAL DATA

#### Top flue outlet

- Model
- Type
- Room heating capacity (min - max) m<sup>3</sup>
- Nominal heat output (min - max) kW
- Thermal efficiency (min - max) %
- Nominal consumption (min - max) kg/h
- Hopper capacity kg
- Size of wood pieces cm
- Firebox opening W x H cm
- Stove weight kg

#### PELLET Wood-burning

E228 ST	
SH140-P-09	SH140-W-09
135 - 230	
3,9 - 8,0	8,0
85,1 - 87,0	85,7
0,9 - 1,8	2,24
15	-
	35 - 38
	31,7 x 33,8
	240

#### Rear flue outlet

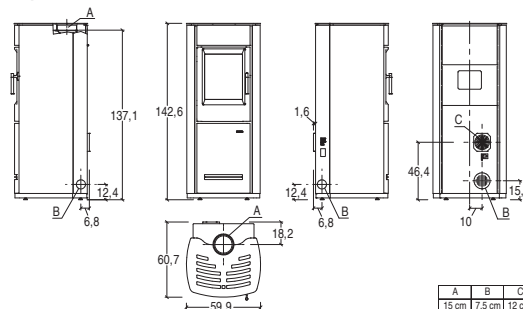
- Model
- Type
- Room heating capacity (min - max) m<sup>3</sup>
- Nominal heat output (min - max) kW
- Thermal efficiency (min - max) %
- Nominal consumption (min - max) kg/h
- Hopper capacity kg
- Size of wood pieces cm
- Firebox opening W x H cm
- Stove weight kg

#### PELLET Wood-burning

E228 ST	
SH140-P-10	SH140-W-10
140 - 235	
4,1 - 8,2	8,2
90,3 - 88,0	88,3
0,9 - 1,9	2,24
15	-
	35 - 38
	31,7 x 33,8
	240

VERSION	- TOP FLUE OUTLET - COMBUSTION AIR KIT, STANDARD	CODE	EURO
<b>TOTAL PRICE</b>			<b>6.700,00</b>
Firebox with cladding	BIANCO with Nero front panels	P07228915C	6.700,00
	NERO with Nero front panels	P07228925C	6.700,00
<b>Accessories on request</b>			
Multifuoco System® single		P08020860C	500,00
Fixed side warm air vent kit		P08062240C	35,00
Flexible pipe Ø 12 cm for combustion air		P08010360	34,00 per pack (3 metres)

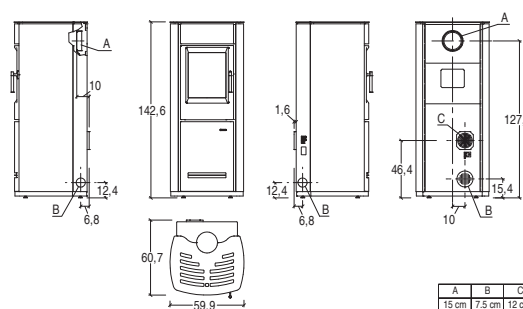
#### Top flue outlet



All dimensions in cm.

VERSION	- REAR FLUE OUTLET - COMBUSTION AIR KIT, STANDARD	CODE	EURO
<b>TOTAL PRICE</b>			<b>6.700,00</b>
Firebox with cladding	BIANCO with Nero front panels	P07228916C	6.700,00
	NERO with Nero front panels	P07228926C	6.700,00
<b>Accessories on request</b>			
Multifuoco System® single		P08020860C	500,00
Fixed side warm air vent kit		P08062240C	35,00
Flexible pipe Ø 12 cm for combustion air		P08010360	34,00 per pack (3 metres)

#### Rear flue outlet



All dimensions in cm.






# HYBRID STOVES Infinity Plus LINE

## Accessories






### MULTIFUOCO SYSTEM®

ITEM	COMPATIBLE MODELS	CODE	EURO
 Multifuoco System®	E228 A, E228 C E228 C-H, E228 D E228 M, E228 M-H E228 STEEL	P08020860C	500,00
	E228 H, E228 K	P08027610C	750,00

### HSS HEAT STORAGE SYSTEM


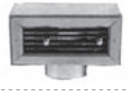





ITEM	WEIGHT	COMPATIBLE MODELS	CODE	EURO
 HSS kit  Heat storage system with heat exchanger	223 kg	E228 C-H E228 M-H	P08062100C	1.230,00
	76 kg	E228 H	P08062920C	655,00
	78 kg	E228 K	P08062900C	655,00
	36 kg	E228 H	P08062930C	970,00
	29 kg	E228 K	P08062910C	970,00

### ACCESSORIES FOR HOT AIR DUCTING


ITEM	DIMENSIONS IN CM	UNITS PER PACK	CODE	EURO
 Flexible aluminium pipe <sup>[1]</sup>	Ø 7,5	linear metre	N08011005	19,00 <small>per linear metre</small>
 Y connector	Ø 7,5	10	N08011006	30,00
 90° aluminium bend	Ø 7,5	10	N08011007	30,00
 Pipe clamp	Ø 7,5	50	N08011008	5,00
 Connector sleeve	Ø 7,5	50	N08011009	10,00

[1] Available in 30 meter roll, minimum order quantity: 1 meter.

### AIR VENTS

ITEM	DIMENSIONS IN CM	UNITS PER PACK	CODE	EURO
 Air vent with closure, enamelled white	L 25 x H 12 Ø 7,5	10	N08011001	58,00
 Wall air vent with closure, enamelled white	L 25 x H 11 Ø 7,5	6	N08011002	83,00
 Wall air vent, blasted steel	L 22 x H 5 Ø 7,5	1	NI08012400-0	154,00
 Wall air vent, black enamelled steel	L 22 x H 5 Ø 7,5	1	NI08014190-0	115,00
 Wall air vent, white enamelled steel	L 22 x H 5 Ø 7,5	1	NI08014400-0	115,00
 Air vent without closure, made of white-painted steel	L 9,5 x H 9,5 Ø 7,0	1	N08011003	64,00
 Air vent with closure, made of white-painted steel	L 9,5 x H 9,5 Ø 7,0	1	N08011004	70,00

### ACCESSORIES FOR COMBUSTION AIR

ITEM	COMPATIBLE MODELS	CODE	EURO
 Flexible aluminium pipe Ø 12 cm for combustion air	All models	P08010360	34,00 <small>per pack (3 metres)</small>
 Aeration grille with spring for wall hole Ø 12-15 cm	All models	N08010015	5,00


# HYBRID STOVES Infinity Plus LINE

## Accessories



### AIR VENTS

ITEM	COMPATIBLE MODELS	CODE	EURO
 Fixed side warm air vent kit	E228 C, E228 C-H E228 M, E228 M-H E228 STEEL	P08062240C	35,00

### EXTERNAL AIR INTAKE GRILLE







ITEM	COMPATIBLE MODELS	CODE	EURO
 White painted adjustable external air intake grille 17,5 x 27,5 cm with manual control	All models	N08010007	39,00

### FLOOR PROTECTION

ITEM	COMPATIBLE MODELS	DIMENSIONS IN CM	CODE	EURO
 Rectangular steel floor plate	All models	100x120	P08024300C	325,00
 Round edged steel floor plate	All models	100x120	P08024310C	325,00

### PIPES - BENDS - CONNECTORS FOR HYBRID STOVES

Aluminium coated steel connecting flue pipes single wall, 2 mm thick, V2 corrosion resistance class, EN 1856-2 compliant

ITEM	DIMENSIONS IN CM	Ø MM	CODE	EURO
 Pipe	L 25	150	P08025020	50,00
	L 50	150	P08025050	70,00
	L 100	150	P08025080	109,00
 Bend 90° (2x45°) with inspection	L 32 x H 32	150	P08025200	96,00
 Bend 45° with inspection	L 25 x H 30	150	P08025230	89,00
 Bend 45°	L 17 x H 17	150	P08025260	70,00
 Wall connector	-	150	P08025290	16,00
 Flue ring	-	150	P08025320	39,00

---

# Prestige LINE

## PELLET STOVES

Data charts . . . . .	30
P943 Hermetic . . . . .	31
P943 M Hermetic . . . . .	32
Accessories . . . . .	125

## Data charts



Technical data	Units	P943 Hermetic	P943 M Hermetic
Forced ventilation		yes	yes
Ductable		yes	yes
Natural convection		yes	yes
Hermetic		yes	yes
Oven		-	-
Model		P943-S	P943-S M
Type		SP232-01	SP232-01
Energy efficiency class		A+	A+
Room heating capacity *	m <sup>3</sup>	185 - 315	185 - 315
Nominal heat output (min - max)	kW	4,1 - 11,0	4,1 - 11,0
Thermal efficiency (min - max)	%	89,8 - 92,0	89,8 - 92,0
Nominal consumption (min - max)	kg/h	0,9 - 2,4	0,9 - 2,4
Standard flue outlet Ø	cm	8	8
Hopper capacity	kg	20	20
Dimensions W x D x H	cm	57 x 58 x 133	54 x 57 x 132
Weight	kg	202	202
Oven W x D x H		-	-
Heating		Multifuoco System® with 4 speed levels, manually or automatically controlled. Ductable hot air	Multifuoco System® with 4 speed levels, manually or automatically controlled. Ductable hot air
Dual Power System		4 speed levels, manually or automatically controlled	4 speed levels, manually or automatically controlled
Front ventilation		directional air vent	directional air vent
Side ventilation		-	-
Natural Mode		yes	yes
Eco / Energy Saving function		yes / yes	yes / yes
Cladding / Top surface		majolica / majolica	majolica / majolica
Rolling Top		top that slides	top that slides
Stove		airtight, steel	airtight, steel
Firebox		steel - Aluker®	steel - Aluker®
Smoke baffle plate / Brazier		steel / cast iron	steel / cast iron
Door / Handle		cast iron with self-cleaning ceramic glass resistant up to 750°C / steel with nickel-plated finish	cast iron with self-cleaning ceramic glass resistant up to 750°C / steel with nickel-plated finish
Removable ash drawer		-	-
Ash tray		yes	yes
Oven		-	-
Standard flue outlet position		central rear	central rear
Optional flue outlet		-	-
LCD remote control		yes	yes
Display with digital controls		yes	yes
Power level		5	5
Ambient probe for temperature control		standard	standard
Programmable timer-thermostat		6 daily time frames	6 daily time frames
Humidifier		stainless steel	stainless steel
Pellet level sensor		yes	yes
Brazier cleaning intervals		yes	yes
Glass cleaning system		continuous air flow	continuous air flow
WiFi module- Bluetooth for App MyPIAZZETTA		optional	optional
Ash vacuum cleaner		standard	standard
Optional remote control		-	-
Optional side air vents		-	-
Optional directional front air vents		-	-
Installation		wall - corner	wall - corner

\* Calculated on the basis of nominal heat output, referring to rooms with a heating requirement between 0.060 and 0.035 kW per m<sup>3</sup>. We recommend always contacting a heating engineer for the final calculations.

Data obtained under laboratory conditions using pellets with heat production rated at greater than or equal to 4.9 kWh/kg. Consumption varies according to the dimensions and type of pellets used.

# PELLET STOVES

## Prestige **LINE**

### P943 Hermetic



#### GENERAL CHARACTERISTICS

- Heating: Multifuoco System® with 4 speed levels, manually or automatically controlled. Ductable hot air
- Dual Power System: 4 speed levels, manually or automatically controlled
- Front ventilation: directional air vent
- Natural Mode: yes
- Eco / Energy saving function: yes / yes
- Cladding / Top surface: majolica / majolica
- Rolling Top: top that slides
- Stove: airtight steel
- Firebox: steel / Aluker®
- Smoke baffle plate / Brazier: steel / cast iron
- Door / Handle: cast iron with self-cleaning ceramic glass resistant up to 750°C / steel with nickel-plated finish
- Ash tray: yes
- Standard flue outlet position: rear centre
- LCD remote control: yes
- WiFi module- Bluetooth for App MyPIAZZETTA: optional
- Control panel with digital controls: yes
- Power level: 5
- Room temperature probe for temperature management: standard
- Programmable timer-thermostat: 6 daily time period settings
- Humidifier: stainless steel
- Pellet level sensor: yes
- Regular brazier cleaning: yes
- Glass cleaning: continuous air flow
- Ash vacuum cleaner: standard
- Installation: wall - corner

#### TECHNICAL DATA

• Model		P943-S
• Type		SP232-01
• Room heating capacity (min - max)	m <sup>3</sup>	185 - 315
• Nominal heat output (min - max)	kW	4,1 - 11,0
• Thermal efficiency (min - max)	%	89,8 - 92,0
• Nominal consumption (min - max)	kg/h	0,9 - 2,4
• Hopper capacity	kg	20
• Stove weight	kg	202



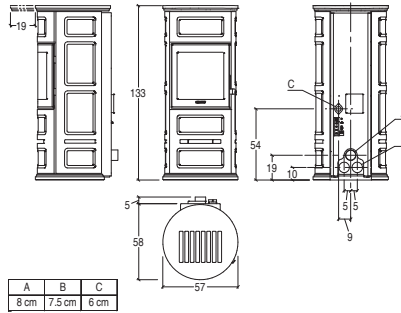
CODE EURO

TOTAL PRICE		<b>6.585,00</b>	
Cladding	BIANCO MERINGA	P06056820C	1.650,00
	BLU VERDEMARE	P06056110C	1.650,00
	BORDEAUX	P06056420C	1.650,00
	CANAPA	P06056350C	1.650,00
	TERRA ORIENTE	P06056550C	1.650,00
	VERDE MIRTO	P06056260C	1.650,00

Stove	P943 Ermetica	P07943101C	4.935,00
-------	---------------	------------	----------

#### Accessories on request

Wi-Fi module for Piazzetta App	N08013012C	305,00
Flexible pipe Ø 6 cm for combustion air	N08011017	19,00 per linear metre



All dimensions in cm.

# PELLET STOVES

## Prestige **LINE**

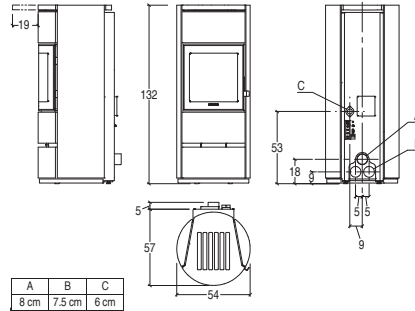
### P943 M Hermetic



	CODE	EURO
<b>TOTAL PRICE</b>		<b>6.405,00</b>
Cladding	BIANCO	P06057300C 1.470,00
	GRIGIO CERATO	P06057310C 1.470,00
	KAKI	P06057990C 1.470,00
	NERO OPACO	P06057160C 1.470,00
	ROSSO LAVA	P06057450C 1.470,00
	TERRA COTTA	P06057090C 1.470,00
Stove	P943 Ermetica	P07943101C 4.935,00
<b>Accessories on request</b>		
Wi-Fi module for Piazzetta App	N08013012C	305,00
Flexible pipe Ø 6 cm for combustion air	N08011017	19,00 per linear metre

### GENERAL CHARACTERISTICS

- Heating: Multifuoco System® with 4 speed levels, manually or automatically controlled. Ductable hot air
- Dual Power System: 4 speed levels, manually or automatically controlled
- Front ventilation: directional air vent
- Natural Mode: yes
- Eco / Energy saving function: yes / yes
- Cladding / Top surface: majolica / majolica
- Rolling Top: top that slides
- Stove: airtight steel
- Firebox: steel / Aluker®
- Smoke baffle plate / Brazier: steel / cast iron
- Door / Handle: cast iron with self-cleaning ceramic glass resistant up to 750°C / steel with nickel-plated finish
- Ash tray: yes
- Standard flue outlet position: rear centre
- LCD remote control: yes
- WiFi module- Bluetooth for App MyPIAZZETTA: optional
- Control panel with digital controls: yes
- Power level: 5
- Room temperature probe for temperature management: standard
- Programmable timer-thermostat: 6 daily time period settings
- Humidifier: stainless steel
- Pellet level sensor: yes
- Regular brazier cleaning: yes
- Glass cleaning: continuous air flow
- Ash vacuum cleaner: standard
- Installation: wall - corner



All dimensions in cm.

### TECHNICAL DATA

• Model		P943-S M
• Type		SP232-01
• Room heating capacity (min - max)	m <sup>3</sup>	185 - 315
• Nominal heat output (min - max)	kW	4,1 - 11,0
• Thermal efficiency (min - max)	%	89,8 - 92,0
• Nominal consumption (min - max)	kg/h	0,9 - 2,4
• Hopper capacity	kg	20
• Stove weight	kg	202



# Premium Plus LINE

## PELLET STOVES

Data charts . . . . .	.34
P220 C . . . . .	.44
P220 C with base . . . . .	.45
P220 M . . . . .	.46
P220 M STEEL . . . . .	.47
P220 T . . . . .	.48
P220 T STEEL . . . . .	.49
P220 T Frontal Glass . . . . .	.50
P220 T STEEL Frontal Glass . . . . .	.51
P222 . . . . .	.52
P230 C . . . . .	.53
P230 C with base . . . . .	.54
P230 M . . . . .	.55
P230 M STEEL . . . . .	.56
P230 T . . . . .	.57
P230 T STEEL . . . . .	.58
P230 T Frontal Glass . . . . .	.59
P230 T STEEL Frontal Glass . . . . .	.60
P240 . . . . .	.61
P241 . . . . .	.62
Accessories . . . . .	125

# PELLET-BURNING STOVES Premium Plus LINE

## Data charts



Technical data	Units	P220 C	P220 C TOP
<b>Version</b>		<b>Rear flue outlet</b>	<b>Top flue outlet</b>
<b>Forced ventilation</b>		yes	yes
<b>Ductable</b>		yes	yes
<b>Natural convection</b>		yes	yes
<b>Hermetic</b>		yes	yes
<b>Oven</b>		-	-
Model		P220 C	P220 C TOP
Type		SP400-02	SP400-01
Energy efficiency class		A+	A+
Room heating capacity *	m <sup>3</sup>	145 - 245	145 - 245
Nominal heat output (min - max)	kW	3,3 - 8,5	3,4 - 8,5
Thermal efficiency (min - max)	%	89,0 - 90,3	89,8 - 91,3
Nominal consumption (min - max)	kg/h	0,7 - 1,9	0,7 - 1,9
Standard flue outlet Ø	cm	8	8
Hopper capacity	kg	18	14
Dimensions W x D x H	cm	53 x 52,6 x 114,3	53 x 52,6 x 114,3
Weight	kg	140	143
Oven W x D x H		-	-
Heating		Multifuoco System® with 3 speed levels, manually or automatically controlled. Ductable hot air	Multifuoco System® with 3 speed levels, manually or automatically controlled. Ductable hot air
Dual Power System		-	-
Front ventilation		directional air vent	directional air vent
Side ventilation		-	-
Natural Mode		yes	yes
Multicomfort / Multicomfort Plus		-	-
Radiant majolica		yes	yes
Eco / Energy Saving function		yes / yes	yes / yes
Pellet Quality System Function		yes	yes
Cladding / Top surface		majolica / majolica	majolica / majolica
Rolling Top		top that slides	top that slides
Stove		airtight, steel	airtight, steel
Firebox		cast iron	cast iron
Smoke baffle plate / Brazier		cast iron / cast iron	cast iron / cast iron
Door / Handle		Cast iron with ceramic glass resistant upto 750°C / cool handle	Cast iron with ceramic glass resistant upto 750°C / cool handle
Design door		steel with screen-printed tempered glass	steel with screen-printed tempered glass
Removable ash drawer		-	-
Ash tray		-	-
Oven		-	-
Standard flue outlet position		rear	top
Optional flue outlet		Top balanced flue	Top balanced flue
LCD remote control		optional	optional
Display with digital controls		yes	yes
Power level		4	4
Room temperature probe for temperature management		standard	standard
Wireless probe for temperature management		standard	standard
Programmable timer-thermostat		6 daily time frames	6 daily time frames
Humidifier		stainless steel	stainless steel
Pellet level sensor		yes	yes
Brazier cleaning intervals		yes	yes
Glass cleaning system		continuous air flow	continuous air flow
Module Wi-Fi and Bluetooth for MYPIAZZETTA App		standard	standard
Combustion air kit		standard	standard
Ash vacuum cleaner		standard	standard
LCD remote control		optional	optional
Optional side air vents		-	-
Installation		wall - flush / corner	wall - flush / corner

\* Calculated on the basis of nominal heat output, referring to rooms with a heating requirement between 0.060 and 0.035 kW per m<sup>3</sup>. We recommend always contacting a heating engineer for the final calculations.



# PELLET-BURNING STOVES Premium Plus LINE

## Data charts



P220 C with base	P220 C TOP with base	P220 M	P220 M TOP	P220 M STEEL
Rear flue outlet	Top flue outlet	Rear flue outlet	Top flue outlet	Rear flue outlet
yes	yes	yes	yes	yes
yes	yes	yes	yes	yes
yes	yes	yes	yes	yes
yes	yes	yes	yes	yes
-	-	-	-	-
P220 C W/B	P220 C W/B TOP	P220 M	P220 M TOP	P220 M STEEL
SP400-02	SP400-01	SP400-02	SP400-01	SP400-02
A+	A+	A+	A+	A+
145 - 245	145 - 245	145 - 245	145 - 245	145 - 245
3,3 - 8,5	3,4 - 8,5	3,3 - 8,5	3,4 - 8,5	3,3 - 8,5
89,0 - 90,3	89,8 - 91,3	89,0 - 90,3	89,8 - 91,3	89,0 - 90,3
0,7 - 1,9	0,7 - 1,9	0,7 - 1,9	0,7 - 1,9	0,7 - 1,9
8	8	8	8	8
18	14	18	14	18
53 x 52,6 x 117	53 x 52,6 x 117	53 x 54,4 x 116,7	53 x 54,4 x 116,7	53 x 54,4 x 116,7
145	148	150	155	150
Multifuoco System® with 3 speed levels, manually or automatically controlled. Ductable hot air	Multifuoco System® with 3 speed levels, manually or automatically controlled. Ductable hot air	Multifuoco System® with 3 speed levels, manually or automatically controlled. Ductable hot air	Multifuoco System® with 3 speed levels, manually or automatically controlled. Ductable hot air	Multifuoco System® with 3 speed levels, manually or automatically controlled. Ductable hot air
-	-	-	-	-
directional air vent	directional air vent	directional air vent	directional air vent	directional air vent
-	-	fixed outlet, optional	fixed outlet, optional	fixed outlet, optional
yes	yes	yes	yes	yes
-	-	-	-	-
yes	yes	yes	yes	yes
yes / yes	yes / yes	yes / yes	yes / yes	yes / yes
yes	yes	yes	yes	yes
majolica / majolica	majolica / majolica	majolica / majolica	majolica / majolica	steel / majolica
top that slides	top that slides	top that slides	top that slides	top that slides
airtight, steel	airtight, steel	airtight, steel	airtight, steel	airtight, steel
cast iron	cast iron	cast iron	cast iron	cast iron
cast iron / cast iron	cast iron / cast iron	cast iron / cast iron	cast iron / cast iron	cast iron / cast iron
Cast iron with ceramic glass resistant upto 750°C / cool handle	Cast iron with ceramic glass resistant upto 750°C / cool handle	Cast iron with ceramic glass resistant upto 750°C / cool handle	Cast iron with ceramic glass resistant upto 750°C / cool handle	Cast iron with ceramic glass resistant upto 750°C / cool handle
steel with screen-printed tempered glass	steel with screen-printed tempered glass	steel with screen-printed tempered glass	steel with screen-printed tempered glass	steel with screen-printed tempered glass
-	-	-	-	-
-	-	-	-	-
rear	top	rear	top	rear
Top balanced flue	Top balanced flue	Top balanced flue	Top balanced flue	Top balanced flue
optional	optional	optional	optional	optional
yes	yes	yes	yes	yes
4	4	4	4	4
standard	standard	standard	standard	standard
standard	standard	standard	standard	standard
6 daily time frames	6 daily time frames	6 daily time frames	6 daily time frames	6 daily time frames
stainless steel	stainless steel	stainless steel	stainless steel	stainless steel
yes	yes	yes	yes	yes
yes	yes	yes	yes	yes
continuous air flow	continuous air flow	continuous air flow	continuous air flow	continuous air flow
standard	standard	standard	standard	standard
standard	standard	standard	standard	standard
standard	standard	standard	standard	standard
optional	optional	optional	optional	optional
-	-	-	-	-
wall - flush / corner	wall - flush / corner	wall - flush / corner	wall - flush / corner	wall - flush / corner

Data obtained under laboratory conditions using pellets with heat production rated at greater than or equal to 4.9 kWh/kg. Consumption varies according to the dimensions and type of pellets used.

# PELLET-BURNING STOVES Premium Plus LINE

## Data charts



Technical data	Units	P220 M TOP STEEL	P220 T	P220 T TOP
Version		Top flue outlet	Rear flue outlet	Top flue outlet
Forced ventilation		yes	yes	yes
Ductable		yes	yes	yes
Natural convection		yes	yes	yes
Hermetic		yes	yes	yes
Oven		-	-	-
Model		P220 M TOP STEEL	P220 T	P220 T TOP
Type		SP400-01	SP400-02	SP400-01
Energy efficiency class		A+	A+	A+
Room heating capacity *	m <sup>3</sup>	145 - 245	145 - 245	145 - 245
Nominal heat output (min - max)	kW	3,4 - 8,5	3,3 - 8,5	3,4 - 8,5
Thermal efficiency (min - max)	%	89,8 - 91,3	89,0 - 90,3	89,8 - 91,3
Nominal consumption (min - max)	kg/h	0,7 - 1,9	0,7 - 1,9	0,7 - 1,9
Standard flue outlet Ø	cm	8	8	8
Hopper capacity	kg	14	18	14
Dimensions W x D x H	cm	53 x 54,4 x 116,7	56 x 57,3 x 116,7	56 x 57,3 x 116,7
Weight	kg	155	143	146
Oven W x D x H				
Heating		Multifuoco System® with 3 speed levels, manually or automatically controlled. Ductable hot air	Multifuoco System® with 3 speed levels, manually or automatically controlled. Ductable hot air	Multifuoco System® with 3 speed levels, manually or automatically controlled. Ductable hot air
Dual Power System		-	-	-
Front ventilation		directional air vent	directional air vent	directional air vent
Side ventilation		fixed outlet, optional	fixed outlet, optional	fixed outlet, optional
Natural Mode		yes	yes	yes
Multicomfort / Multicomfort Plus		-	-	-
Radiant majolica		-	yes	yes
Eco / Energy Saving function		yes / yes	yes / yes	yes / yes
Pellet Quality System Function		yes	yes	yes
Cladding / Top surface		steel / majolica	majolica / majolica	majolica / majolica
Rolling Top		top that slides	top that slides	top that slides
Stove		airtight, steel	airtight, steel	airtight, steel
Firebox		cast iron	cast iron	cast iron
Smoke baffle plate / Brazier		cast iron / cast iron	cast iron / cast iron	cast iron / cast iron
Door / Handle		Cast iron with ceramic glass resistant upto 750°C / cool handle steel with screen-printed tempered glass	Cast iron with ceramic glass resistant upto 750°C / cool handle steel with screen-printed tempered glass	Cast iron with ceramic glass resistant upto 750°C / cool handle steel with screen-printed tempered glass
Design door		-	-	-
Removable ash drawer		-	-	-
Ash tray		-	-	-
Oven		-	-	-
Standard flue outlet position		top	rear	top
Optional flue outlet		Top balanced flue	Top balanced flue	Top balanced flue
LCD remote control		optional	optional	optional
Display with digital controls		yes	yes	yes
Power level		4	4	4
Room temperature probe for temperature management		standard	standard	standard
Wireless probe for temperature management		standard	standard	standard
Programmable timer-thermostat		6 daily time frames	6 daily time frames	6 daily time frames
Humidifier		stainless steel	stainless steel	stainless steel
Pellet level sensor		yes	yes	yes
Brazier cleaning intervals		yes	yes	yes
Glass cleaning system		continuous air flow	continuous air flow	continuous air flow
Module Wi-Fi and Bluetooth for MYPIAZZETTA App		standard	standard	standard
Combustion air kit		standard	standard	standard
Ash vacuum cleaner		standard	standard	standard
LCD remote control		optional	optional	optional
Optional side air vents		-	-	-
Installation		wall - flush / corner	wall - flush / corner	wall - flush / corner

\* Calculated on the basis of nominal heat output, referring to rooms with a heating requirement between 0.060 and 0.035 kW per m<sup>3</sup>. We recommend always contacting a heating engineer for the final calculations.

# PELLET-BURNING STOVES Premium Plus LINE

## Data charts



P220 T STEEL	P220 T TOP STEEL	P220 T Frontal Glass	P220 T TOP Frontal Glass
Rear flue outlet	Top flue outlet	Rear flue outlet	Top flue outlet
yes	yes	yes	yes
yes	yes	yes	yes
yes	yes	yes	yes
yes	yes	yes	yes
-	-	-	-
P220 T STEEL	P220 T TOP STEEL	P220 T FR/G	P220 T FR/G TOP
SP400-02	SP400-01	SP400-02	SP400-01
A+	A+	A+	A+
145 - 245	145 - 245	145 - 245	145 - 245
3,3 - 8,5	3,4 - 8,5	3,3 - 8,5	3,4 - 8,5
89,0 - 90,3	89,8 - 91,3	89,0 - 90,3	89,8 - 91,3
0,7 - 1,9	0,7 - 1,9	0,7 - 1,9	0,7 - 1,9
8	8	8	8
18	14	18	14
56 x 57,3 x 116,7	56 x 57,3 x 116,7	56 x 57,3 x 116,7	56 x 57,3 x 116,7
143	146	142	145
-	-	-	-
Multifuoco System® with 3 speed levels, manually or automatically controlled. Ductable hot air	Multifuoco System® with 3 speed levels, manually or automatically controlled. Ductable hot air	Multifuoco System® with 3 speed levels, manually or automatically controlled. Ductable hot air	Multifuoco System® with 3 speed levels, manually or automatically controlled. Ductable hot air
-	-	-	-
directional air vent	directional air vent	directional air vent	directional air vent
fixed outlet, optional	fixed outlet, optional	fixed outlet, optional	fixed outlet, optional
yes	yes	yes	yes
-	-	-	-
yes / yes	yes / yes	yes / yes	yes / yes
yes	yes	yes	yes
steel / majolica	steel / majolica	majolica / majolica	majolica / majolica
top that slides	top that slides	top that slides	top that slides
airtight, steel	airtight, steel	airtight, steel	airtight, steel
cast iron	cast iron	cast iron	cast iron
cast iron / cast iron	cast iron / cast iron	cast iron / cast iron	cast iron / cast iron
Cast iron with ceramic glass resistant upto 750°C / cool handle	Cast iron with ceramic glass resistant upto 750°C / cool handle	Cast iron with ceramic glass resistant upto 750°C / cool handle	Cast iron with ceramic glass resistant upto 750°C / cool handle
steel with screen-printed tempered glass	steel with screen-printed tempered glass	steel with screen-printed tempered glass	steel with screen-printed tempered glass
-	-	-	-
rear	top	rear	top
Top balanced flue	Top balanced flue	Top balanced flue	Top balanced flue
optional	optional	optional	optional
yes	yes	yes	yes
4	4	4	4
standard	standard	standard	standard
standard	standard	standard	standard
6 daily time frames	6 daily time frames	6 daily time frames	6 daily time frames
stainless steel	stainless steel	stainless steel	stainless steel
yes	yes	yes	yes
yes	yes	yes	yes
continuous air flow	continuous air flow	continuous air flow	continuous air flow
standard	standard	standard	standard
standard	standard	standard	standard
standard	standard	standard	standard
optional	optional	optional	optional
-	-	-	-
wall - flush / corner	wall - flush / corner	wall - flush / corner	wall - flush / corner

Data obtained under laboratory conditions using pellets with heat production rated at greater than or equal to 4.9 kWh/kg. Consumption varies according to the dimensions and type of pellets used.

# PELLET-BURNING STOVES Premium Plus LINE

## Data charts



Technical data	Units	P220 T Frontal Glass STEEL	P220 T TOP Frontal Glass STEEL	P222
Version		Rear flue outlet	Top flue outlet	-
Forced ventilation		yes	yes	yes
Ductable		yes	yes	yes
Natural convection		yes	yes	yes
Hermetic		yes	yes	yes
Oven		-	-	-
Model		P220 T FR/G	P220 T FR/G TOP	P222
Type		SP400-02	SP400-01	SP124-05
Energy efficiency class		A+	A+	A+
Room heating capacity *	m <sup>3</sup>	145 - 245	145 - 245	145 - 245
Nominal heat output (min - max)	kW	3,3 - 8,5	3,4 - 8,5	4,0 - 8,5
Thermal efficiency (min - max)	%	89,0 - 90,3	89,8 - 91,3	87,5 - 87,5
Nominal consumption (min - max)	kg/h	0,7 - 1,9	0,7 - 1,9	0,9 - 2,0
Standard flue outlet Ø	cm	8	8	8
Hopper capacity	kg	18	14	20
Dimensions W x D x H	cm	56 x 57,3 x 116,7	56 x 57,3 x 116,7	88 x 30 x 112
Weight	kg	142	145	165
Oven W x D x H		-	-	-
Heating		Multifuoco System® with 3 speed levels, manually or automatically controlled. Ductable hot air	Multifuoco System® with 3 speed levels, manually or automatically controlled. Ductable hot air	Multifuoco System® with 3 speed levels, manually or automatically controlled. Ductable hot air
Dual Power System		-	-	-
Front ventilation		directional air vent	directional air vent	directional air vent
Side ventilation		fixed outlet, optional	fixed outlet, optional	fixed outlet, optional
Natural Mode		yes	yes	yes
Multicomfort / Multicomfort Plus		-	-	-
Radiant majolica		-	-	-
Eco / Energy Saving function		yes / yes	yes / yes	yes / yes
Pellet Quality System Function		yes	yes	yes
Cladding / Top surface		steel / majolica	steel / majolica	majolica - steel / majolica
Rolling Top		top that slides	top that slides	top that slides
Stove		airtight, steel	airtight, steel	airtight, steel
Firebox		cast iron	cast iron	cast iron
Smoke baffle plate / Brazier		cast iron / cast iron	cast iron / cast iron	cast iron / cast iron
Door / Handle		Cast iron with ceramic glass resistant upto 750°C / cool handle steel with screen-printed tempered glass	Cast iron with ceramic glass resistant upto 750°C / cool handle steel with screen-printed tempered glass	cast iron / painted steel
Design door		-	-	serigraphed glass
Removable ash drawer		-	-	-
Ash tray		-	-	-
Oven		-	-	-
Standard flue outlet position		rear	top	-
Optional flue outlet		Top balanced flue	Top balanced flue	top central
LCD remote control		optional	optional	optional
Display with digital controls		yes	yes	yes
Power level		4	4	4
Room temperature probe for temperature management		standard	standard	standard
Wireless probe for temperature management		standard	standard	standard
Programmable timer-thermostat		6 daily time frames	6 daily time frames	6 daily time frames
Humidifier		stainless steel	stainless steel	stainless steel
Pellet level sensor		yes	yes	yes
Brazier cleaning intervals		yes	yes	yes
Glass cleaning system		continuous air flow	continuous air flow	continuous air flow
Module Wi-Fi and Bluetooth for MYPIAZZETTA App		standard	standard	standard
Combustion air kit		standard	standard	-
Ash vacuum cleaner		standard	standard	standard
LCD remote control		optional	optional	optional
Optional side air vents		-	-	RH and LH
Installation		wall - flush / corner	wall - flush / corner	wall - corner wall-flush

\* Calculated on the basis of nominal heat output, referring to rooms with a heating requirement between 0.060 and 0.035 kW per m<sup>3</sup>. We recommend always contacting a heating engineer for the final calculations.

# PELLET-BURNING STOVES Premium Plus LINE

## Data charts



P230 C	P230 C TOP	P230 C with base	P230 C TOP with base	P230 M
<b>Rear flue outlet</b>	<b>Top flue outlet</b>	<b>Rear flue outlet</b>	<b>Top flue outlet</b>	<b>Rear flue outlet</b>
yes	yes	yes	yes	yes
yes	yes	yes	yes	yes
yes	yes	yes	yes	yes
yes	yes	yes	yes	yes
-	-	-	-	-
P230 C	P230 C TOP	P230 C W/B	P230 C W/B TOP	P230 M
SP410-02	SP410-01	SP410-02	SP410-01	SP410-02
A+	A+	A+	A+	A+
185 - 315	185 - 315	185 - 315	185 - 315	185 - 315
3,9 - 11,0	4,1 - 11,0	3,9 - 11,0	4,1 - 11,0	3,9 - 11,0
90,0 - 90,7	91,5 - 91,8	90,0 - 90,7	91,5 - 91,8	90,0 - 90,7
0,8 - 2,4	0,9 - 2,4	0,8 - 2,4	0,9 - 2,4	0,8 - 2,4
8	8	8	8	8
26	21	26	21	26
58 x 56,6 x 129,5	58 x 56,6 x 129,5	59 x 57,1 x 132,2	59 x 57,1 x 132,2	58,6 x 57,7 x 132
187	191	193	197	193
Multifuoco System® with 4 speed levels, manually or automatically controlled.	Multifuoco System® with 4 speed levels, manually or automatically controlled.	Multifuoco System® with 4 speed levels, manually or automatically controlled.	Multifuoco System® with 4 speed levels, manually or automatically controlled.	Multifuoco System® with 4 speed levels, manually or automatically controlled.
Ductable hot air	Ductable hot air	Ductable hot air	Ductable hot air	Ductable hot air
4 speed levels, manually or automatically controlled	4 speed levels, manually or automatically controlled	4 speed levels, manually or automatically controlled	4 speed levels, manually or automatically controlled	4 speed levels, manually or automatically controlled
directional air vent	directional air vent	directional air vent	directional air vent	directional air vent
-	-	-	-	fixed outlet, optional
yes	yes	yes	yes	yes
-	-	-	-	-
yes	yes	yes	yes	yes
yes / yes	yes / yes	yes / yes	yes / yes	yes / yes
yes	yes	yes	yes	yes
majolica / majolica	majolica / majolica	majolica / majolica	majolica / majolica	majolica / majolica
top that slides	top that slides	top that slides	top that slides	top that slides
airtight, steel	airtight, steel	airtight, steel	airtight, steel	airtight, steel
cast iron	cast iron	cast iron	cast iron	cast iron
cast iron / cast iron	cast iron / cast iron	cast iron / cast iron	cast iron / cast iron	cast iron / cast iron
Cast iron with ceramic glass resistant upto 750°C / cool handle	Cast iron with ceramic glass resistant upto 750°C / cool handle	Cast iron with ceramic glass resistant upto 750°C / cool handle	Cast iron with ceramic glass resistant upto 750°C / cool handle	Cast iron with ceramic glass resistant upto 750°C / cool handle
steel with screen-printed tempered glass	steel with screen-printed tempered glass	steel with screen-printed tempered glass	steel with screen-printed tempered glass	steel with screen-printed tempered glass
-	-	-	-	-
-	-	-	-	-
rear	top	rear	top	rear
Top balanced flue	Top balanced flue	Top balanced flue	Top balanced flue	Top balanced flue
optional	optional	optional	optional	optional
yes	yes	yes	yes	yes
5	5	5	5	5
standard	standard	standard	standard	standard
standard	standard	standard	standard	standard
6 daily time frames	6 daily time frames	6 daily time frames	6 daily time frames	6 daily time frames
stainless steel	stainless steel	stainless steel	stainless steel	stainless steel
yes	yes	yes	yes	yes
yes	yes	yes	yes	yes
continuous air flow	continuous air flow	continuous air flow	continuous air flow	continuous air flow
standard	standard	standard	standard	standard
standard	standard	standard	standard	standard
standard	standard	standard	standard	standard
optional	optional	optional	optional	optional
-	-	-	-	-
wall - flush / corner	wall - flush / corner	wall - flush / corner	wall - flush / corner	wall - flush / corner

Data obtained under laboratory conditions using pellets with heat production rated at greater than or equal to 4.9 kWh/kg. Consumption varies according to the dimensions and type of pellets used.

# PELLET-BURNING STOVES Premium Plus LINE

## Data charts



Technical data	Units	P230 M TOP	P230 M STEEL	P230 M TOP STEEL
<b>Version</b>		<b>Top flue outlet</b>	<b>Rear flue outlet</b>	<b>Top flue outlet</b>
<b>Forced ventilation</b>		yes	yes	yes
<b>Ductable</b>		yes	yes	yes
<b>Natural convection</b>		yes	yes	yes
<b>Hermetic</b>		yes	yes	yes
<b>Oven</b>		-	-	-
Model		P230 M TOP	P230 M STEEL	P230 M TOP STEEL
Type		SP410-01	SP410-02	SP410-01
Energy efficiency class		A+	A+	A+
Room heating capacity *	m <sup>3</sup>	185 - 315	185 - 315	185 - 315
Nominal heat output (min - max)	kW	4,1 - 11,0	3,9 - 11,0	4,1 - 11,0
Thermal efficiency (min - max)	%	91,5 - 91,8	90,0 - 90,7	91,5 - 91,8
Nominal consumption (min - max)	kg/h	0,9 - 2,4	0,8 - 2,4	0,9 - 2,4
Standard flue outlet Ø	cm	8	8	8
Hopper capacity	kg	21	26	21
Dimensions W x D x H	cm	58,6 x 57,7 x 132	58,6 x 57,7 x 132	58,6 x 57,7 x 132
Weight	kg	197	193	197
Oven W x D x H		-	-	-
Heating		Multifuoco System® with 4 speed levels, manually or automatically controlled. Ductable hot air	Multifuoco System® with 4 speed levels, manually or automatically controlled. Ductable hot air	Multifuoco System® with 4 speed levels, manually or automatically controlled. Ductable hot air
Dual Power System		4 speed levels, manually or automatically controlled	4 speed levels, manually or automatically controlled	4 speed levels, manually or automatically controlled
Front ventilation		directional air vent	directional air vent	directional air vent
Side ventilation		fixed outlet, optional	fixed outlet, optional	fixed outlet, optional
Natural Mode		yes	yes	yes
Multicomfort / Multicomfort Plus		-	-	-
Radiant majolica		yes	-	-
Eco / Energy Saving function		yes / yes	yes / yes	yes / yes
Pellet Quality System Function		yes	yes	yes
Cladding / Top surface		majolica / majolica	steel / majolica	steel / majolica
Rolling Top		top that slides	top that slides	top that slides
Stove		airtight, steel	airtight, steel	airtight, steel
Firebox		cast iron	cast iron	cast iron
Smoke baffle plate / Brazier		cast iron / cast iron	cast iron / cast iron	cast iron / cast iron
Door / Handle		Cast iron with ceramic glass resistant upto 750°C / cool handle	Cast iron with ceramic glass resistant upto 750°C / cool handle	Cast iron with ceramic glass resistant upto 750°C / cool handle
Design door		steel with screen-printed tempered glass	steel with screen-printed tempered glass	steel with screen-printed tempered glass
Removable ash drawer		-	-	-
Ash tray		-	-	-
Oven		-	-	-
Standard flue outlet position		top	rear	top
Optional flue outlet		Top balanced flue	Top balanced flue	Top balanced flue
LCD remote control		optional	optional	optional
Display with digital controls		yes	yes	yes
Power level		5	5	5
Room temperature probe for temperature management		standard	standard	standard
Wireless probe for temperature management		standard	standard	standard
Programmable timer-thermostat		6 daily time frames	6 daily time frames	6 daily time frames
Humidifier		stainless steel	stainless steel	stainless steel
Pellet level sensor		yes	yes	yes
Brazier cleaning intervals		yes	yes	yes
Glass cleaning system		continuous air flow	continuous air flow	continuous air flow
Module Wi-Fi and Bluetooth for MYPIAZZETTA App		standard	standard	standard
Combustion air kit		standard	standard	standard
Ash vacuum cleaner		standard	standard	standard
LCD remote control		optional	optional	optional
Optional side air vents		-	-	-
Installation		wall - flush / corner	wall - flush / corner	wall - flush / corner

\* Calculated on the basis of nominal heat output, referring to rooms with a heating requirement between 0.060 and 0.035 kW per m<sup>3</sup>. We recommend always contacting a heating engineer for the final calculations.

# PELLET-BURNING STOVES Premium Plus LINE

## Data charts



P230 T	P230 T TOP	P230 T STEEL	P230 T TOP STEEL
Rear flue outlet	Top flue outlet	Rear flue outlet	Top flue outlet
yes	yes	yes	yes
yes	yes	yes	yes
yes	yes	yes	yes
yes	yes	yes	yes
-	-	-	-
P230 T	P230 T TOP	P230 T STEEL	P230 T TOP STEEL
SP410-02	SP410-01	SP410-02	SP410-01
A+	A+	A+	A+
185 - 315	185 - 315	185 - 315	185 - 315
3,9 - 11,0	4,1 - 11,0	3,9 - 11,0	4,1 - 11,0
90,0 - 90,7	91,5 - 91,8	90,0 - 90,7	91,5 - 91,8
0,8 - 2,4	0,9 - 2,4	0,8 - 2,4	0,9 - 2,4
8	8	8	8
26	21	26	21
60,4 x 61 x 132	60,4 x 61 x 132	60,4 x 61 x 132	60,4 x 61 x 132
186	190	186	190
-	-	-	-
Multifuoco System® with 4 speed levels, manually or automatically controlled. Ductable hot air	Multifuoco System® with 4 speed levels, manually or automatically controlled. Ductable hot air	Multifuoco System® with 4 speed levels, manually or automatically controlled. Ductable hot air	Multifuoco System® with 4 speed levels, manually or automatically controlled. Ductable hot air
4 speed levels, manually or automatically controlled	4 speed levels, manually or automatically controlled	4 speed levels, manually or automatically controlled	4 speed levels, manually or automatically controlled
directional air vent	directional air vent	directional air vent	directional air vent
fixed outlet, optional	fixed outlet, optional	fixed outlet, optional	fixed outlet, optional
yes	yes	yes	yes
-	-	-	-
yes	yes	-	yes
yes / yes	yes / yes	yes / yes	yes / yes
yes	yes	yes	yes
majolica / majolica	majolica / majolica	steel / majolica	steel / majolica
top that slides	top that slides	top that slides	top that slides
airtight, steel	airtight, steel	airtight, steel	airtight, steel
cast iron	cast iron	cast iron	cast iron
cast iron / cast iron	cast iron / cast iron	cast iron / cast iron	cast iron / cast iron
Cast iron with ceramic glass resistant upto 750°C / cool handle	Cast iron with ceramic glass resistant upto 750°C / cool handle	Cast iron with ceramic glass resistant upto 750°C / cool handle	Cast iron with ceramic glass resistant upto 750°C / cool handle
steel with screen-printed tempered glass	steel with screen-printed tempered glass	steel with screen-printed tempered glass	steel with screen-printed tempered glass
-	-	-	-
-	-	-	-
-	-	-	-
rear	top	rear	top
Top balanced flue	Top balanced flue	Top balanced flue	Top balanced flue
optional	optional	optional	optional
yes	yes	yes	yes
5	5	5	5
standard	standard	standard	standard
standard	standard	standard	standard
6 daily time frames	6 daily time frames	6 daily time frames	6 daily time frames
stainless steel	stainless steel	stainless steel	stainless steel
yes	yes	yes	yes
yes	yes	yes	yes
continuous air flow	continuous air flow	continuous air flow	continuous air flow
standard	standard	standard	standard
standard	standard	standard	standard
standard	standard	standard	standard
optional	optional	optional	optional
-	-	-	-
wall - flush / corner	wall - flush / corner	wall - flush / corner	wall - flush / corner

\* Calculated on the basis of nominal heat output, referring to rooms with a heating requirement between 0.060 and 0.035 kW per m<sup>3</sup>. We recommend always contacting a heating engineer for the final calculations.



# PELLET-BURNING STOVES Premium Plus LINE

## Data charts



Technical data	Units	P230 T Frontal Glass	P230 T TOP Frontal Glass
<b>Version</b>		Rear flue outlet	Top flue outlet
<b>Forced ventilation</b>		yes	yes
<b>Ductable</b>		yes	yes
<b>Natural convection</b>		yes	yes
<b>Hermetic</b>		yes	yes
<b>Oven</b>		-	-
Model		P230 T FR/G	P230 T FR/G TOP
Type		SP410-02	SP410-01
Energy efficiency class		A+	A+
Room heating capacity *	m <sup>3</sup>	185 - 315	185 - 315
Nominal heat output (min - max)	kW	3,9 - 11,0	4,1 - 11,0
Thermal efficiency (min - max)	%	90,0 - 90,7	91,5 - 91,8
Nominal consumption (min - max)	kg/h	0,8 - 2,4	0,9 - 2,4
Standard flue outlet Ø	cm	8	8
Hopper capacity	kg	26	21
Dimensions W x D x H	cm	60,4 x 61 x 132	60,4 x 61 x 132
Weight	kg	184	188
Oven W x D x H		-	-
Heating		Multifuoco System® with 4 speed levels, manually or automatically controlled. Ductable hot air	Multifuoco System® with 4 speed levels, manually or automatically controlled. Ductable hot air
Dual Power System		4 speed levels, manually or automatically controlled	4 speed levels, manually or automatically controlled
Front ventilation		directional air vent	directional air vent
Side ventilation		fixed outlet, optional	fixed outlet, optional
Natural Mode		yes	yes
Multicomfort / Multicomfort Plus		-	-
Radiant majolica		yes	yes
Eco / Energy Saving function		yes / yes	yes / yes
Pellet Quality System Function		yes	yes
Cladding / Top surface		majolica / majolica	majolica / majolica
Rolling Top		top that slides	top that slides
Stove		airtight, steel	airtight, steel
Firebox		cast iron	cast iron
Smoke baffle plate / Brazier		cast iron / cast iron	cast iron / cast iron
Door / Handle		Cast iron with ceramic glass resistant upto 750°C / cool handle	Cast iron with ceramic glass resistant upto 750°C / cool handle
Design door		steel with screen-printed tempered glass	steel with screen-printed tempered glass
Removable ash drawer		-	-
Ash tray		-	-
Oven		-	-
Standard flue outlet position		rear	top
Optional flue outlet		Top balanced flue	Top balanced flue
LCD remote control		optional	optional
Display with digital controls		yes	yes
Power level		5	5
Room temperature probe for temperature magement		standard	standard
Wireless probe for temperature management		standard	standard
Programmable timer-thermostat		6 daily time frames	6 daily time frames
Humidifier		stainless steel	stainless steel
Pellet level sensor		yes	yes
Brazier cleaning intervals		yes	yes
Glass cleaning system		continuous air flow	continuous air flow
Module Wi-Fi and Bluetooth for MYPIAZZETTA App		standard	standard
Combustion air kit		standard	standard
Ash vacuum cleaner		standard	standard
LCD remote control		optional	optional
Optional side air vents		-	-
Installation		wall - flush / corner	wall - flush / corner

\* Calculated on the basis of nominal heat output, referring to rooms with a heating requirement between 0.060 and 0.035 kW per m<sup>3</sup>. We recommend always contacting a heating engineer for the final calculations.



# PELLET-BURNING STOVES Premium Plus LINE

## Data charts



P230 T Frontal Glass STEEL	P230 T TOP Frontal Glass STEEL	P240	P241
Rear flue outlet	Top flue outlet	-	-
yes	yes	yes	yes
yes	yes	yes	-
yes	yes	yes	yes
yes	yes	yes	yes
-	-	-	-
P230 T FR/G STEEL	P230 T FR/G TOP STEEL	P240	P241
SP410-02	SP410-01	SP400-06	SP400-10
A+	A+	A+	A+
185 - 315	185 - 315	145 - 245	145 - 245
3,9 - 11,0	4,1 - 11,0	3,6 - 8,5	3,3 - 8,5
90,0 - 90,7	91,5 - 91,8	92,3 - 93,2	91,2 - 91,2
0,8 - 2,4	0,9 - 2,4	0,8 - 1,9	0,75 - 1,95
8	8	8	8
26	21	30	19,5
60,4 x 61 x 132	60,4 x 61 x 132	130 x 45,5 x 114,7	43,6 x 53 x 112,2
184	188	250	170
Multifuoco System® with 4 speed levels, manually or automatically controlled. Ductable hot air	Multifuoco System® with 4 speed levels, manually or automatically controlled. Ductable hot air	Multifuoco System® with 3 speed levels, manually or automatically controlled. Ductable hot air	Multifuoco System® with 3 speed levels, manually or automatically controlled. Ductable hot air
4 speed levels, manually or automatically controlled	4 speed levels, manually or automatically controlled	-	-
directional air vent	directional air vent	air vent	directional air vent
fixed outlet, optional	fixed outlet, optional	fixed outlet, optional	-
yes	yes	yes	yes
-	-	-	-
yes / yes	yes / yes	yes / yes	yes / yes
yes	yes	yes	yes
steel / majolica	steel / majolica	steel - majolica / steel	steel / steel
top that slides	top that slides	-	-
airtight, steel	airtight, steel	airtight, steel	airtight, steel
cast iron	cast iron	cast iron	cast iron
cast iron / cast iron	cast iron / cast iron	cast iron / cast iron	cast iron / cast iron
Cast iron with ceramic glass resistant upto 750°C / cool handle	Cast iron with ceramic glass resistant upto 750°C / cool handle	Cast iron with ceramic glass resistant upto 750°C / cool handle	Cast iron with ceramic glass resistant upto 750°C / cool handle
steel with screen-printed tempered glass	steel with screen-printed tempered glass	steel with screen-printed tempered glass	steel with majolica panel
-	-	-	-
-	-	-	-
rear	top	-	rear
Top balanced flue	Top balanced flue	Top balanced flue	-
optional	optional	optional	optional
yes	yes	yes	yes
5	5	4	4
standard	standard	standard	standard
standard	standard	standard	standard
6 daily time frames	6 daily time frames	6 daily time frames	6 daily time frames
stainless steel	stainless steel	stainless steel	stainless steel
yes	yes	yes	yes
yes	yes	yes	yes
continuous air flow	continuous air flow	continuous air flow	continuous air flow
standard	standard	standard	standard
standard	standard	standard	standard
standard	standard	standard	standard
optional	optional	optional	optional
-	-	-	-
wall - flush / corner	wall - flush / corner	wall - flush	wall - flush / corner

\* Calculated on the basis of nominal heat output, referring to rooms with a heating requirement between 0.060 and 0.035 kW per m<sup>3</sup>. We recommend always contacting a heating engineer for the final calculations.

# PELLET STOVES

## Premium Plus LINE

### P220 C



#### GENERAL CHARACTERISTICS

- Heating: Multifuoco System® with 3 speed levels, manually or automatically controlled. Ductable hot air
- Multicomfort Plus: Standard
- Multicomfort: Standard
- Front ventilation: directional air vent
- Natural Mode: yes
- Eco / Energy saving function: yes / yes
- Cladding / Top surface: majolica / majolica
- Rolling Top: top that slides
- Stove: airtight steel
- Firebox: cast iron
- Smoke baffle plate / Brazier: cast iron / cast iron
- Door / Handle: cast iron with ceramic glass resistant up to 750°C / detachable
- Design door: steel with screen-printed tempered glass
- Flue outlet position standard: left rear or upper
- Opzional flue: sop balanced flue
- LCD remote control: optional
- WiFi module- Bluetooth for App MyPIAZZETTA: standard
- Control panel with digital controls: yes
- Power level: 4
- Room temperature probe for temperature mangement: standard
- Wireless probe for temperature management: standard
- Programmable timer-thermostat: 6 daily time period settings
- Humidifier: stainless steel
- Pellet level sensor: yes
- Regular brazier cleaning: yes
- Glass cleaning: continuous air flow
- Outside air kit: standard
- Ash vacuum cleaner: standard
- Installation : wall - flush / corner
- Conveyor: steel
- Convection heating Majolica: yes
- Pellet Quality system function: yes
- Air combustion System function: yes

#### TECHNICAL DATA

- Model
- Type
- Room heating capacity (min - max)
- Nominal heat output (min - max)
- Thermal efficiency (min - max)
- Nominal consumption (min - max)
- Hopper capacity
- Stove weight

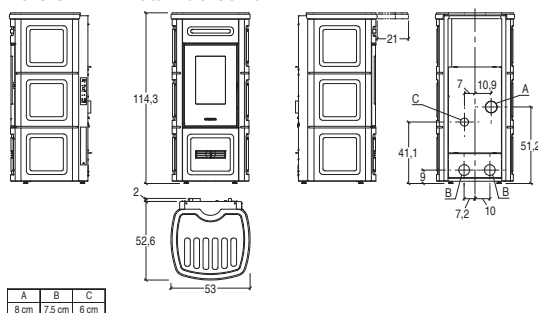
	REAR flue outlet	TOP flue outlet
Model	P220 C	P220 C TOP
Type	SP400-02	SP400-01
Room heating capacity (min - max)	m³ 145 - 245	
Nominal heat output (min - max)	kW 3,3 - 8,5	3,4 - 8,5
Thermal efficiency (min - max)	% 89,0 - 90,3	89,8 - 91,3
Nominal consumption (min - max)	kg/h 0,7 - 1,9	
Hopper capacity	kg 18	14
Stove weight	kg 140	143



CODE EURO

VERSION	- REAR FLUE OUTLET - COMBUSTION AIR KIT, STANDARD		
TOTAL STOVE			<b>4.765,00</b>
Cladding	BIANCO	P06139300C	1.130,00
	CANAPA	P06139350C	1.130,00
	NERO OPACO	P06139160C	1.130,00
	VERDE MIRTO	P06139250C	1.130,00
TOTAL STOVE			<b>4.860,00</b>
Cladding	BIANCO GRIGIO	P06139410C	1.225,00
	ROSSO LAVA	P06139450C	1.225,00
Stove	P220 C REAR FLUE OUTLET	P07220000C	3.635,00
<b>Accessories on request</b>			
Hot air ducting kit		N08019042C	35,00
Pellet loading kit		P08062180C	55,00
LCD remote control		P08062070C	120,00
Flexible pipe Ø 6 cm for combustion air		N08011017	19,00 per linear metre

#### Version with rear flue outlet

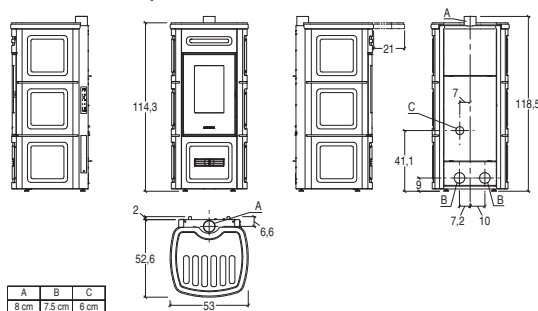


All dimensions in cm.

CODE EURO

VERSION	- TOP FLUE OUTLET - COMBUSTION AIR KIT, STANDARD		
TOTAL STOVE			<b>5.005,00</b>
Cladding	BIANCO	P06139300C	1.130,00
	CANAPA	P06139350C	1.130,00
	NERO OPACO	P06139160C	1.130,00
	VERDE MIRTO	P06139250C	1.130,00
TOTAL STOVE			<b>5.100,00</b>
Cladding	BIANCO GRIGIO	P06139410C	1.225,00
	ROSSO LAVA	P06139450C	1.225,00
Stove	P220 C TOP FLUE OUTLET	P07220010C	3.875,00
<b>Accessories on request</b>			
Hot air ducting kit		N08019042C	35,00
Pellet loading kit		P08062180C	55,00
Top coaxial flue kit Ø 80/130		P08062050C	350,00
Top-rear flue kit		P08062170C	115,00
LCD remote control		P08062070C	120,00
Flexible pipe Ø 6 cm for combustion air		N08011017	19,00 per linear metre

#### Version with top flue outlet



All dimensions in cm.

# PELLET STOVES

## Premium Plus LINE

### P220 C with base



#### GENERAL CHARACTERISTICS

- Heating: Multifuoco System® with 3 speed levels, manually or automatically controlled. Ductable hot air
- Multicomfort Plus: Standard
- Multicomfort: Standard
- Front ventilation: directional air vent
- Natural Mode: yes
- Eco / Energy saving function: yes / yes
- Cladding / Top surface: majolica / majolica
- Rolling Top: top that slides
- Stove: airtight steel
- Firebox: cast iron
- Smoke baffle plate / Brazier: cast iron / cast iron
- Door / Handle: cast iron with ceramic glass resistant up to 750°C / detachable
- Design door: steel with screen-printed tempered glass
- Flue outlet position standard: left rear or upper
- Opzional flue: sop balanced flue
- LCD remote control: optional
- WiFi module- Bluetooth for App MyPIAZZETTA: standard
- Control panel with digital controls: yes
- Power level: 4
- Room temperature probe for temperature mangement: standard
- Wireless probe for temperature management: standard
- Programmable timer-thermostat: 6 daily time period settings
- Humidifier: stainless steel
- Pellet level sensor: yes
- Regular brazier cleaning: yes
- Glass cleaning: continuous air flow
- Outside air kit: standard
- Ash vacuum cleaner: standard
- Installation : wall - flush / corner
- Conveyor: steel
- Convection heating Majolica: yes
- Pellet Quality system function: yes
- Air combustion System function: yes

#### TECHNICAL DATA

- Model
- Type
- Room heating capacity (min - max)
- Nominal heat output (min - max)
- Thermal efficiency (min - max)
- Nominal consumption (min - max)
- Hopper capacity
- Stove weight

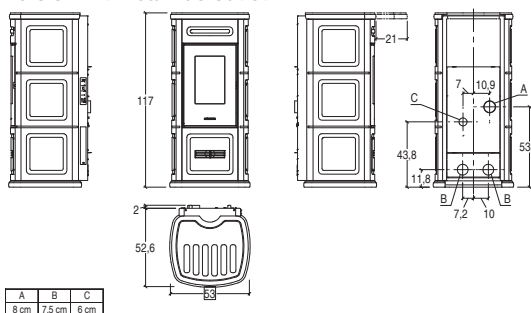
	REAR flue outlet	TOP flue outlet
	P220 C W/B SP400-02	P220 C W/B TOP SP400-01
Room heating capacity (min - max)	145 - 245	145 - 245
Nominal heat output (min - max)	3,3 - 8,5	3,4 - 8,5
Thermal efficiency (min - max)	89,0 - 90,3	89,8 - 91,3
Nominal consumption (min - max)	0,7 - 1,9	0,7 - 1,9
Hopper capacity	18	14
Stove weight	145	148



CODE EURO

VERSION	- REAR FLUE OUTLET - COMBUSTION AIR KIT, STANDARD	
TOTAL STOVE		<b>4.945,00</b>
Cladding with stove base	BIANCO	P06128300C 1.310,00
	CANAPA	P06128350C 1.310,00
	NERO OPACO	P06128160C 1.310,00
	VERDE MIRTO	P06128250C 1.310,00
TOTAL STOVE		<b>5.030,00</b>
Cladding with stove base	BIANCO GRIGIO	P06128410C 1.395,00
	ROSSO LAVA	P06128450C 1.395,00
Stove	P220 C REAR FLUE OUTLET	P07220000C 3.635,00
<b>Accessories on request</b>		
Hot air ducting kit	N08019042C	35,00
Pellet loading kit	P08062180C	55,00
LCD remote control	P08062070C	120,00
Flexible pipe Ø 6 cm for combustion air	N08011017	19,00 per linear metre

#### Version with rear flue outlet

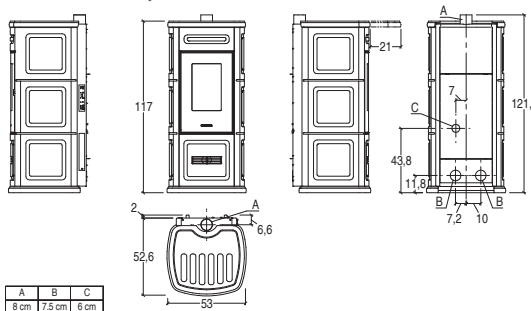


All dimensions in cm.

CODE EURO

VERSION	- TOP FLUE OUTLET - COMBUSTION AIR KIT, STANDARD	
TOTAL STOVE		<b>5.185,00</b>
Cladding with stove base	BIANCO	P06128300C 1.310,00
	CANAPA	P06128350C 1.310,00
	NERO OPACO	P06128160C 1.310,00
	VERDE MIRTO	P06128250C 1.310,00
TOTAL STOVE		<b>5.270,00</b>
Cladding with stove base	BIANCO GRIGIO	P06128410C 1.395,00
	ROSSO LAVA	P06128450C 1.395,00
Stove	P220 C TOP FLUE OUTLET	P07220010C 3.875,00
<b>Accessories on request</b>		
Hot air ducting kit	N08019042C	35,00
Pellet loading kit	P08062180C	55,00
Top coaxial flue kit Ø 80/130	P08062050C	350,00
Top-rear flue kit	P08062170C	115,00
LCD remote control	P08062070C	120,00
Flexible pipe Ø 6 cm for combustion air	N08011017	19,00 per linear metre

#### Version with top flue outlet



All dimensions in cm.

**P220 M**



**GENERAL CHARACTERISTICS**

- Heating: Multifuoco System® with 3 speed levels, manually or automatically controlled. Ductable hot air
- Multicomfort Plus: Standard
- Multicomfort: Standard
- Front ventilation: directional air vent
- Side ventilation: fixed air vent optional
- Natural Mode: yes
- Eco / Energy saving function: yes / yes
- Cladding / Top surface: majolica / majolica
- Rolling Top: top that slides
- Stove: airtight steel
- Firebox: cast iron
- Smoke baffle plate / Brazier: cast iron / cast iron
- Door / Handle: cast iron with ceramic glass resistant up to 750°C / detachable
- Design door: steel with screen-printed tempered glass
- Flue outlet position standard: left rear or upper
- Opzional flue: sop balanced flue
- LCD remote control: optional
- WiFi module- Bluetooth for App MyPIAZZETTA: standard
- Control panel with digital controls: yes
- Power level: 4
- Room temperature probe for temperature mangement: standard
- Wireless probe for temperature management: standard
- Programmable timer-thermostat: 6 daily time period settings
- Humidifier: stainless steel
- Pellet level sensor: yes
- Regular brazier cleaning: yes
- Glass cleaning: continuous air flow
- Outside air kit: standard
- Ash vacuum cleaner: standard
- Installation : wall - flush / corner
- Conveyor: steel
- Covection heating Majolica: yes
- Pellet Quality system function: yes
- Air combustion System function: yes

**TECHNICAL DATA**

- Model
- Type
- Room heating capacity (min - max)
- Nominal heat output (min - max)
- Thermal efficiency (min - max)
- Nominal consumption (min - max)
- Hopper capacity
- Stove weight

	REAR flue outlet	TOP flue outlet
	P220 M	P220 M TOP
	SP400-02	SP400-01
Room heating capacity (min - max)	m³	145 - 245
Nominal heat output (min - max)	kW	3,3 - 8,5
Thermal efficiency (min - max)	%	89,0 - 90,3
Nominal consumption (min - max)	kg/h	0,7 - 1,9
Hopper capacity	kg	18
Stove weight	kg	150



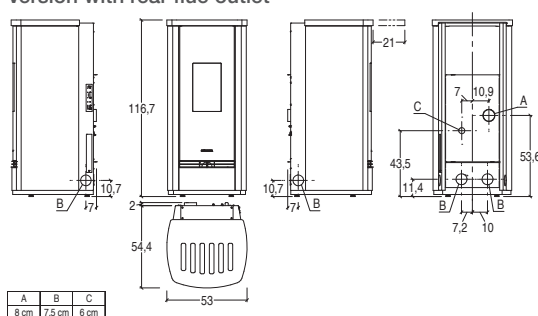
CODE EURO

VERSION	- REAR FLUE OUTLET - COMBUSTION AIR KIT, STANDARD		
TOTAL STOVE			<b>4.760,00</b>
Cladding	BIANCO CALCE	P06143940C	1.025,00
	NERO OPACO	P06143160C	1.025,00
	TERRA COTTA	P06143090C	1.025,00
TOTAL STOVE			<b>4.855,00</b>
Cladding	BIANCO GRIGIO	P06143410C	1.120,00
	MARRONE TENNÉ	P061433B0C	1.120,00
	ROSSO LAVA	P06143450C	1.120,00
Stove	P220 M REAR FLUE OUTLET	P07220200C	3.735,00

**Accessories on request**

Fixed side warm air vent kit	P08062240C	35,00
Hot air ducting kit	N08019042C	35,00
Pellet loading kit	P08062180C	55,00
LCD remote control	P08062070C	120,00
Flexible pipe Ø 6 cm for combustion air	N08011017	19,00 <small>per linear metre</small>

**Version with rear flue outlet**



All dimensions in cm.

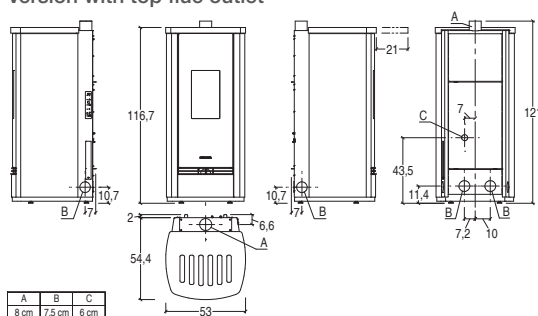
CODE EURO

VERSION	- TOP FLUE OUTLET - COMBUSTION AIR KIT, STANDARD		
TOTAL STOVE			<b>4.995,00</b>
Cladding	BIANCO CALCE	P06143940C	1.025,00
	NERO OPACO	P06143160C	1.025,00
	TERRA COTTA	P06143090C	1.025,00
TOTAL STOVE			<b>5.090,00</b>
Cladding	BIANCO GRIGIO	P06143410C	1.120,00
	MARRONE TENNÉ	P061433B0C	1.120,00
	ROSSO LAVA	P06143450C	1.120,00
Stove	P220 M TOP FLUE OUTLET	P07220210C	3.970,00

**Accessories on request**

Fixed side warm air vent kit	P08062240C	35,00
Hot air ducting kit	N08019042C	35,00
Pellet loading kit	P08062180C	55,00
Top coaxial flue kit Ø 80/130	P08062050C	350,00
Top-rear flue kit	P08062170C	115,00
LCD remote control	P08062070C	120,00
Flexible pipe Ø 6 cm for combustion air	N08011017	19,00 <small>per linear metre</small>

**Version with top flue outlet**



All dimensions in cm.

# PELLET STOVES

## Premium Plus LINE

### P220 M STEEL



Available while stocks last.

#### GENERAL CHARACTERISTICS

- Heating: Multifuoco System® with 3 speed levels, manually or automatically controlled. Ductable hot air
- Multicomfort Plus: Standard
- Multicomfort: Standard
- Front ventilation: directional air vent
- Side ventilation: fixed air vent optional
- Natural Mode: yes
- Eco / Energy saving function: yes / yes
- Cladding / Top surface: steel / majolica
- Rolling Top: top that slides
- Stove: airtight steel
- Firebox: cast iron
- Smoke baffle plate / Brazier: cast iron / cast iron
- Door / Handle: cast iron with ceramic glass resistant up to 750°C / detachable
- Design door: steel with screen-printed tempered glass
- Flue outlet position standard: left rear or upper
- Opzional flue: sop balanced flue
- LCD remote control: optional
- WiFi module- Bluetooth for App MyPIAZZETTA: standard
- Control panel with digital controls: yes
- Power level: 4
- Room temperature probe for temperature mangement: standard
- Wireless probe for temperature management: standard
- Programmable timer-thermostat: 6 daily time period settings
- Humidifier: stainless steel
- Pellet level sensor: yes
- Regular brazier cleaning: yes
- Glass cleaning: continuous air flow
- Outside air kit: standard
- Ash vacuum cleaner: standard
- Installation : wall - flush / corner
- Conveyor: steel
- Pellet Quality system function: yes
- Air combustion System function: yes

#### TECHNICAL DATA

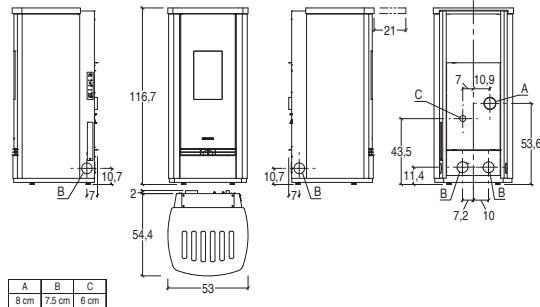
- Model
- Type
- Room heating capacity (min - max)
- Nominal heat output (min - max)
- Thermal efficiency (min - max)
- Nominal consumption (min - max)
- Hopper capacity
- Stove weight

	REAR flue outlet	TOP flue outlet
P220 M STEEL	SP400-02	P220 M TOP STEEL
	SP400-01	
Room heating capacity (min - max)	m <sup>3</sup> 145 - 245	
Nominal heat output (min - max)	kW 3,3 - 8,5	3,4 - 8,5
Thermal efficiency (min - max)	% 89,0 - 90,3	89,8 - 91,3
Nominal consumption (min - max)	kg/h 0,7 - 1,9	
Hopper capacity	kg 18	14
Stove weight	kg 150	155



VERSION	- REAR FLUE OUTLET - COMBUSTION AIR KIT, STANDARD	CODE	EURO
TOTAL STOVE			<b>4.450,00</b>
Cladding	BIANCO	P19220200C	715,00
	NERO	P19220210C	715,00
Stove	P220 M REAR FLUE OUTLET	P07220200C	3.735,00
<b>Accessories on request</b>			
Fixed side warm air vent kit		P08062240C	35,00
Pellet loading kit		P08062180C	55,00
LCD remote control		P08062070C	120,00
Hot air ducting kit		N08019042C	35,00
Flexible pipe Ø 6 cm for combustion air		N08011017C	19,00 <small>per linear metre</small>

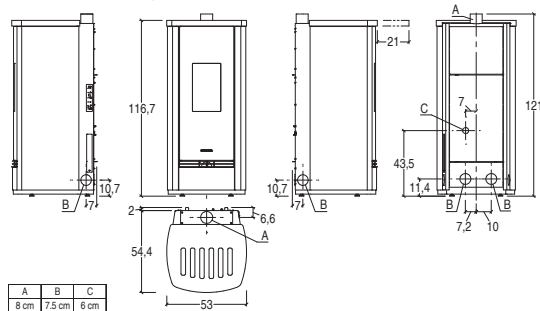
#### Version with rear flue outlet



All dimensions in cm.

VERSION	- TOP FLUE OUTLET - COMBUSTION AIR KIT, STANDARD	CODE	EURO
TOTAL STOVE			<b>4.685,00</b>
Cladding	BIANCO	P19220200C	715,00
	NERO	P19220210C	715,00
Stove	P220 M TOP FLUE OUTLET	P07220210C	3.970,00
<b>Accessories on request</b>			
Top-rear flue kit		P08062170C	115,00
Fixed side warm air vent kit		P08062240C	35,00
Pellet loading kit		P08062180C	55,00
Top coaxial flue kit Ø 80/130		P08062050C	350,00
LCD remote control		P08062070C	120,00
Hot air ducting kit		N08019042C	35,00
Flexible pipe Ø 6 cm for combustion air		N08011017C	19,00 <small>per linear metre</small>

#### Version with top flue outlet



All dimensions in cm.

**P220 T**



**GENERAL CHARACTERISTICS**

- Heating: Multifuoco System® with 3 speed levels, manually or automatically controlled. Ductable hot air
- Multicomfort Plus: Standard
- Multicomfort: Standard
- Front ventilation: directional air vent
- Side ventilation: fixed air vent optional
- Natural Mode: yes
- Eco / Energy saving function: yes / yes
- Cladding / Top surface: majolica / majolica
- Rolling Top: top that slides
- Stove: airtight steel
- Firebox: cast iron
- Smoke baffle plate / Brazier: cast iron / cast iron
- Door / Handle: cast iron with ceramic glass resistant up to 750°C / detachable
- Design door: steel with screen-printed tempered glass
- Flue outlet position standard: left rear or upper
- Opzional flue: sop balanced flue
- LCD remote control: optional
- WiFi module- Bluetooth for App MyPIAZZETTA: standard
- Control panel with digital controls: yes
- Power level: 4
- Room temperature probe for temperature mangement: standard
- Wireless probe for temperature management: standard
- Programmable timer-thermostat: 6 daily time period settings
- Humidifier: stainless steel
- Pellet level sensor: yes
- Regular brazier cleaning: yes
- Glass cleaning: continuous air flow
- Outside air kit: standard
- Ash vacuum cleaner: standard
- Installation : wall - flush / corner
- Conveyor: steel
- Covection heating Majolica: yes
- Pellet Quality system function: yes
- Air combustion System function: yes

**TECHNICAL DATA**

- Model
- Type
- Room heating capacity (min - max)
- Nominal heat output (min - max)
- Thermal efficiency (min - max)
- Nominal consumption (min - max)
- Hopper capacity
- Stove weight

	REAR flue outlet	TOP flue outlet
	P220 T	P220 T TOP
	SP400-02	SP400-01
Room heating capacity (min - max)	m³	145 - 245
Nominal heat output (min - max)	kW	3,3 - 8,5
Thermal efficiency (min - max)	%	89,0 - 90,3
Nominal consumption (min - max)	kg/h	0,7 - 1,9
Hopper capacity	kg	18
Stove weight	kg	143



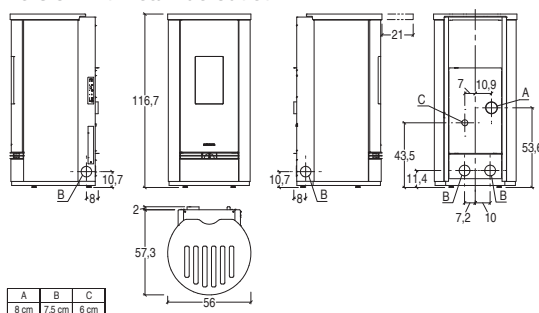
CODE EURO

VERSION	- REAR FLUE OUTLET - COMBUSTION AIR KIT, STANDARD	CODE	EURO
<b>TOTAL STOVE</b>			<b>4.760,00</b>
Cladding	BIANCO CALCE	P06149940C	1.025,00
	NERO OPACO	P06149160C	1.025,00
	TERRA COTTA	P06149090C	1.025,00
<b>TOTAL STOVE</b>			<b>4.855,00</b>
Cladding	BIANCO GRIGIO	P06149410C	1.120,00
	MARRONE TENNÉ	P061493B0C	1.120,00
	ROSSO LAVA	P06149450C	1.120,00
Stove	P220 T REAR FLUE OUTLET	P07220100C	3.735,00

**Accessories on request**

Fixed side warm air vent kit	P08062240C	35,00
Hot air ducting kit	N08019042C	35,00
Pellet loading kit	P08062180C	55,00
LCD remote control	P08062070C	120,00
Flexible pipe Ø 6 cm for combustion air	N08011017	19,00 per linear metre

**Version with rear flue outlet**



All dimensions in cm.

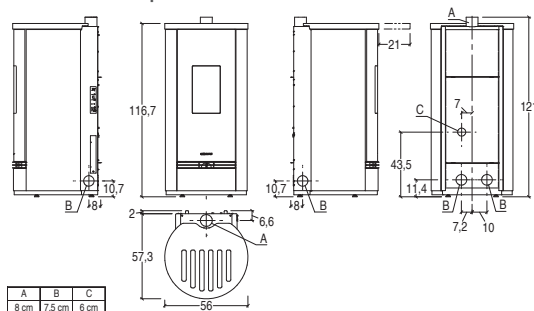
CODE EURO

VERSION	- TOP FLUE OUTLET - COMBUSTION AIR KIT, STANDARD	CODE	EURO
<b>TOTAL STOVE</b>			<b>4.995,00</b>
Cladding	BIANCO CALCE	P06149940C	1.025,00
	NERO OPACO	P06149160C	1.025,00
	TERRA COTTA	P06149090C	1.025,00
<b>TOTAL STOVE</b>			<b>5.090,00</b>
Cladding	BIANCO GRIGIO	P06149410C	1.120,00
	MARRONE TENNÉ	P061493B0C	1.120,00
	ROSSO LAVA	P06149450C	1.120,00
Stove	P220 T TOP FLUE OUTLET	P07220110C	3.970,00

**Accessories on request**

Fixed side warm air vent kit	P08062240C	35,00
Hot air ducting kit	N08019042C	35,00
Pellet loading kit	P08062180C	55,00
Top coaxial flue kit Ø 80/130	P08062050C	350,00
Top-rear flue kit	P08062170C	115,00
LCD remote control	P08062070C	120,00
Flexible pipe Ø 6 cm for combustion air	N08011017	19,00 per linear metre

**Version with top flue outlet**



All dimensions in cm.



# PELLET STOVES

## Premium Plus LINE

### P220 T STEEL



Available while stocks last.

#### GENERAL CHARACTERISTICS

- Heating: Multifuoco System® with 3 speed levels, manually or automatically controlled. Ductable hot air
- Multicomfort Plus: Standard
- Multicomfort: Standard
- Front ventilation: directional air vent
- Side ventilation: fixed air vent optional
- Natural Mode: yes
- Eco / Energy saving function: yes / yes
- Cladding / Top surface: steel / majolica
- Rolling Top: top that slides
- Stove: airtight steel
- Firebox: cast iron
- Smoke baffle plate / Brazier: cast iron / cast iron
- Door / Handle: cast iron with ceramic glass resistant up to 750°C / detachable
- Design door: steel with screen-printed tempered glass
- Flue outlet position standard: left rear or upper
- Opzional flue: sop balanced flue
- LCD remote control: optional
- WiFi module- Bluetooth for App MyPIAZZETTA: standard
- Control panel with digital controls: yes
- Power level: 4
- Room temperature probe for temperature mangement: standard
- Wireless probe for temperature management: standard
- Programmable timer-thermostat: 6 daily time period settings
- Humidifier: stainless steel
- Pellet level sensor: yes
- Regular brazier cleaning: yes
- Glass cleaning: continuous air flow
- Outside air kit: standard
- Ash vacuum cleaner: standard
- Installation : wall - flush / corner
- Conveyor: steel
- Pellet Quality system function: yes
- Air combustion System function: yes

#### TECHNICAL DATA

- Model
- Type
- Room heating capacity (min - max)
- Nominal heat output (min - max)
- Thermal efficiency (min - max)
- Nominal consumption (min - max)
- Hopper capacity
- Stove weight

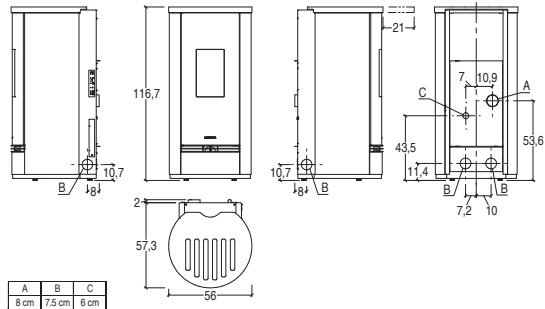
	REAR flue outlet	TOP flue outlet
P220 T STEEL	SP400-02	P220 T TOP STEEL
	SP400-01	
Room heating capacity (min - max)	m <sup>3</sup> 145 - 245	
Nominal heat output (min - max)	kW 3,3 - 8,5	3,4 - 8,5
Thermal efficiency (min - max)	% 89,0 - 90,3	89,8 - 91,3
Nominal consumption (min - max)	kg/h 0,7 - 1,9	
Hopper capacity	kg 18	14
Stove weight	kg 143	146



CODE EURO

VERSION	- REAR FLUE OUTLET - COMBUSTION AIR KIT, STANDARD	
TOTAL STOVE	<b>4.450,00</b>	
Cladding	BIANCO	P19220100C 715,00
	NERO	P19220110C 715,00
Stove	P220 T REAR FLUE OUTLET	P07220100C 3.735,00
<b>Accessories on request</b>		
Fixed side warm air vent kit	P08062240C	35,00
Hot air ducting kit	N08019042C	35,00
Pellet loading kit	P08062180C	55,00
LCD remote control	P08062070C	120,00
Flexible pipe Ø 6 cm for combustion air	N08011017C	19,00 <small>per linear metre</small>

#### Version with rear flue outlet

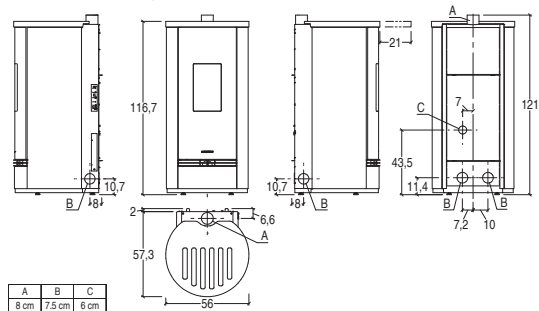


All dimensions in cm.

CODE EURO

VERSION	- TOP FLUE OUTLET - COMBUSTION AIR KIT, STANDARD	
TOTAL STOVE	<b>4.685,00</b>	
Cladding	BIANCO	P19220100C 715,00
	NERO	P19220110C 715,00
Stove	P220 T TOP FLUE OUTLET	P07220110C 3.970,00
<b>Accessories on request</b>		
Top-rear flue kit	P08062170C	115,00
Fixed side warm air vent kit	P08062240C	35,00
Pellet loading kit	P08062180C	55,00
Top coaxial flue kit Ø 80/130	P08062050C	350,00
LCD remote control	P08062070C	120,00
Hot air ducting kit	N08019042C	35,00
Flexible pipe Ø 6 cm for combustion air	N08011017C	19,00 <small>per linear metre</small>

#### Version with top flue outlet



All dimensions in cm.

# PELLET STOVES

# Premium Plus LINE

## P220 T Frontal Glass



### GENERAL CHARACTERISTICS

- Heating: Multifuoco System® with 3 speed levels, manually or automatically controlled. Ductable hot air
- Multicomfort Plus: Standard
- Multicomfort: Standard
- Front ventilation: directional air vent
- Side ventilation: fixed air vent optional
- Natural Mode: yes
- Eco / Energy saving function: yes / yes
- Cladding / Top surface: majolica / majolica
- Rolling Top: top that slides
- Stove: airtight steel
- Firebox: cast iron
- Smoke baffle plate / Brazier: cast iron / cast iron
- Door / Handle: cast iron with ceramic glass resistant up to 750°C / detachable
- Design door: steel with screen-printed tempered glass
- Flue outlet position standard: left rear or upper
- Opzional flue: sop balanced flue
- LCD remote control: optional
- WiFi module- Bluetooth for App MyPIAZZETTA: standard
- Control panel with digital controls: yes
- Power level: 4
- Room temperature probe for temperature mangement: standard
- Wireless probe for temperature management: standard
- Programmable timer-thermostat: 6 daily time period settings
- Humidifier: stainless steel
- Pellet level sensor: yes
- Regular brazier cleaning: yes
- Glass cleaning: continuous air flow
- Outside air kit: standard
- Ash vacuum cleaner: standard
- Installation : wall - flush / corner
- Conveyor: steel
- Covection heating Majolica: yes
- Pellet Quality system function: yes
- Air combustion System function: yes

### TECHNICAL DATA

- Model
- Type
- Room heating capacity (min - max) m³
- Nominal heat output (min - max) kW
- Thermal efficiency (min - max) %
- Nominal consumption (min - max) kg/h
- Hopper capacity kg
- Stove weight kg

	REAR flue outlet	TOP flue outlet
P220 T FR/G	P220 T FR/G	P220 T FR/G
	TOP	
	SP400-02	SP400-01
	145 - 245	145 - 245
	3,3 - 8,5	3,4 - 8,5
	89,0 - 90,3	89,8 - 91,3
	0,7 - 1,9	0,7 - 1,9
	18	14
	142	145



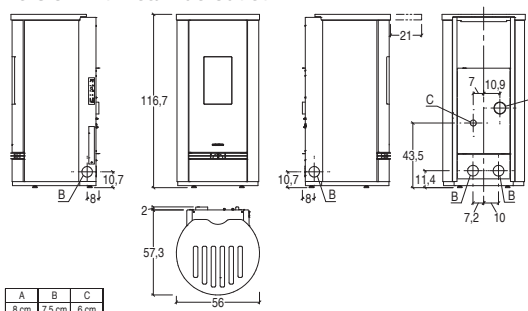
CODE EURO

VERSION	- REAR FLUE OUTLET - COMBUSTION AIR KIT, STANDARD	
TOTAL STOVE	<b>4.760,00</b>	
Cladding with glass front panel	BIANCO CALCE	P06142940C 1.025,00
	NERO OPACO	P06142160C 1.025,00
	TERRA COTTA	P06142090C 1.025,00
TOTAL STOVE	<b>4.855,00</b>	
Cladding with glass front panel	BIANCO GRIGIO	P06142410C 1.120,00
	MARRONE TENNÉ	P061423B0C 1.120,00
	ROSSO LAVA	P06142450C 1.120,00
Stove	P220 T REAR FLUE OUTLET	P07220100C 3.735,00

#### Accessories on request

Fixed side warm air vent kit	P08062240C	35,00
Hot air ducting kit	N08019042C	35,00
Pellet loading kit	P08062180C	55,00
LCD remote control	P08062070C	120,00
Flexible pipe Ø 6 cm for combustion air	N08011017	19,00 per linear metre

#### Version with rear flue outlet



All dimensions in cm.

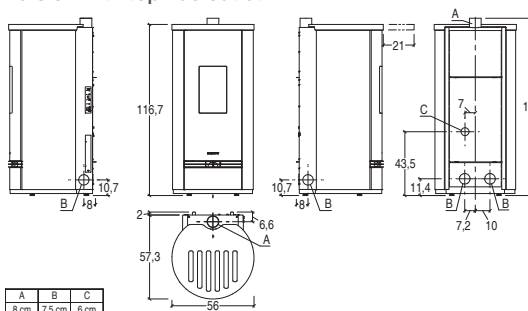
CODE EURO

VERSION	- TOP FLUE OUTLET - COMBUSTION AIR KIT, STANDARD	
TOTAL STOVE	<b>4.995,00</b>	
Cladding with glass front panel	BIANCO CALCE	P06142940C 1.025,00
	NERO OPACO	P06142160C 1.025,00
	TERRA COTTA	P06142090C 1.025,00
TOTAL STOVE	<b>5.090,00</b>	
Cladding with glass front panel	BIANCO GRIGIO	P06142410C 1.120,00
	MARRONE TENNÉ	P061423B0C 1.120,00
	ROSSO LAVA	P06142450C 1.120,00
Stove	P220 T TOP FLUE OUTLET	P07220110C 3.970,00

#### Accessories on request

Fixed side warm air vent kit	P08062240C	35,00
Hot air ducting kit	N08019042C	35,00
Pellet loading kit	P08062180C	55,00
Top coaxial flue kit Ø 80/130	P08062050C	350,00
Top-rear flue kit	P08062170C	115,00
LCD remote control	P08062070C	120,00
Flexible pipe Ø 6 cm for combustion air	N08011017	19,00 per linear metre

#### Version with top flue outlet



All dimensions in cm.



# PELLET STOVES

## Premium Plus LINE

### P220 T STEEL Frontal Glass



Available while stocks last.

#### GENERAL CHARACTERISTICS

- Heating: Multifuoco System® with 3 speed levels, manually or automatically controlled. Ductable hot air
- Multicomfort Plus: Standard
- Multicomfort: Standard
- Front ventilation: directional air vent
- Side ventilation: fixed air vent optional
- Natural Mode: yes
- Eco / Energy saving function: yes / yes
- Cladding / Top surface: steel / majolica
- Rolling Top: top that slides
- Stove: airtight steel
- Firebox: cast iron
- Smoke baffle plate / Brazier: cast iron / cast iron
- Door / Handle: cast iron with ceramic glass resistant up to 750°C / detachable
- Design door: steel with screen-printed tempered glass
- Flue outlet position standard: left rear or upper
- Opzional flue: sop balanced flue
- LCD remote control: optional
- WiFi module- Bluetooth for App MyPIAZZETTA: standard
- Control panel with digital controls: yes
- Power level: 4
- Room temperature probe for temperature mangement: standard
- Wireless probe for temperature management: standard
- Programmable timer-thermostat: 6 daily time period settings
- Humidifier: stainless steel
- Pellet level sensor: yes
- Regular brazier cleaning: yes
- Glass cleaning: continuous air flow
- Outside air kit: standard
- Ash vacuum cleaner: standard
- Installation : wall - flush / corner
- Conveyor: steel
- Pellet Quality system function: yes
- Air combustion System function: yes

#### TECHNICAL DATA

- Model
- Type
- Room heating capacity (min - max) m³
- Nominal heat output (min - max) kW
- Thermal efficiency (min - max) %
- Nominal consumption (min - max) kg/h
- Hopper capacity kg
- Stove weight kg

	REAR flue outlet	TOP flue outlet
P220 T FR/G	SP400-02	P220 T FR/G TOP SP400-01
	145 - 245	
	3,3 - 8,5	3,4 - 8,5
	89,0 - 90,3	89,8 - 91,3
	0,7 - 1,9	
	18	14
	142	145



CODE EURO

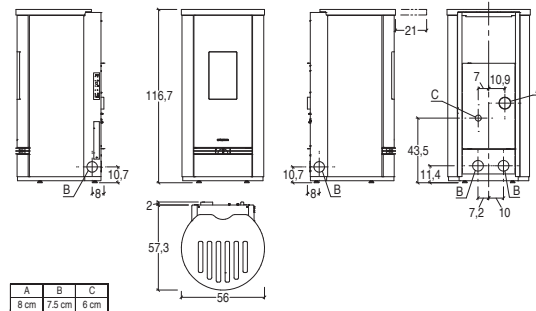
VERSION	- REAR FLUE OUTLET - COMBUSTION AIR KIT, STANDARD		
TOTAL STOVE			<b>4.450,00</b>
Cladding with glass front panel	BIANCO	P19220300C	715,00
	NERO	P19220310C	715,00

Stove	P220 T REAR FLUE OUTLET	P07220100C	3.735,00
-------	-------------------------	------------	----------

#### Accessories on request

Fixed side warm air vent kit	P08062240C	35,00
Hot air ducting kit	N08019042C	35,00
Pellet loading kit	P08062180C	55,00
LCD remote control	P08062070C	120,00
Flexible pipe Ø 6 cm for combustion air	N08011017C	19,00 per linear metre

#### Version with rear flue outlet



All dimensions in cm.

CODE EURO

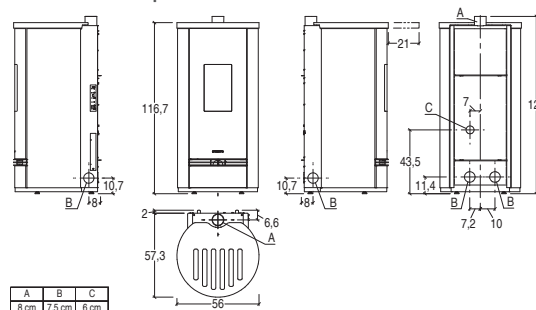
VERSION	- TOP FLUE OUTLET - COMBUSTION AIR KIT, STANDARD		
TOTAL STOVE			<b>4.685,00</b>
Cladding with glass front panel	BIANCO	P19220300C	715,00
	NERO	P19220310C	715,00

Stove	P220 T TOP FLUE OUTLET	P07220110C	3.970,00
-------	------------------------	------------	----------

#### Accessories on request

Top-rear flue kit	P08062170C	115,00
Fixed side warm air vent kit	P08062240C	35,00
Pellet loading kit	P08062180C	55,00
Top coaxial flue kit Ø 80/130	P08062050C	350,00
LCD remote control	P08062070C	120,00
Hot air ducting kit	N08019042C	35,00
Flexible pipe Ø 6 cm for combustion air	N08011017C	19,00 per linear metre

#### Version with top flue outlet



All dimensions in cm.

**P222**



**GENERAL CHARACTERISTICS**

- Heating: Multifuoco System® with 3 speed levels, manually or automatically controlled. Ductable hot air
- Front ventilation: directional air vent
- Side ventilation: fixed air vent optional
- Natural Mode: yes
- Eco / Energy saving function: yes / yes
- Cladding / Top surface: majolica - steel / majolica
- Rolling Top: top that slides
- Stove: airtight steel
- Firebox: cast iron
- Smoke baffle plate / Brazier: cast iron / cast iron
- Door / Handle: cast iron / painted steel
- Design door: serigraphed glass
- Standard flue outlet position: rear / top / RH side
- Top coaxial flue outlet: optional
- Optional flue outlet: top centre
- LCD remote control: optional
- WiFi module- Bluetooth for App MyPIAZZETTA: standard
- Control panel with digital controls: yes
- Power level: 4
- Room temperature probe for temperature mangement: standard
- Wireless probe for temperature management: standard
- Programmable timer-thermostat: 6 daily time period settings
- Humidifier: stainless steel
- Pellet level sensor: yes
- Regular brazier cleaning: yes
- Glass cleaning: continuous air flow
- Ash vacuum cleaner: standard
- Optional side air vents: right and left
- Installation: wall - corner wall-flush
- Conveyor: steel
- Pellet Quality system function: yes
- Air combustion System function: yes

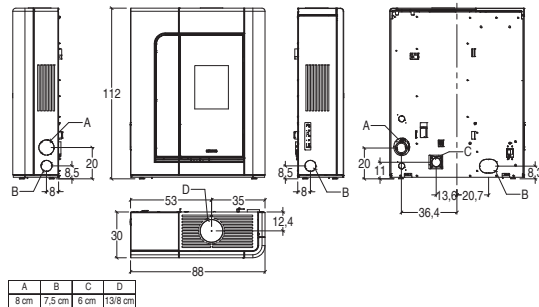
**TECHNICAL DATA**

• Model		P222
• Type		SP124-05
• Room heating capacity (min - max)	m <sup>3</sup>	145 - 245
• Nominal heat output (min - max)	kW	4,0 - 8,5
• Thermal efficiency (min - max)	%	87,5 - 87,5
• Nominal consumption (min - max)	kg/h	0,9 - 2,0
• Hopper capacity	kg	20
• Stove weight	kg	165



CODE EURO

TOTAL PRICE		
Cladding	BIANCO CALCE	P06236930C
	NERO OPACO	P06236160C
	TERRA COTTA	P06236090C
TOTAL PRICE		
Cladding	BIANCO GRIGIO	P06236410C
	MARRONE TENNÉ	P062363B0C
	ROSSO LAVA	P06236450C
Stove	P222	P07022200C
<b>Accessories on request</b>		
	Fixed side warm air vent kit	-
	Top coaxial flue kit Ø 80/130	-
	LCD remote control	P08062070C 120,00
	Flexible pipe Ø 6 cm for combustion air	N08011017 19,00 per linear metre



All dimensions in cm.

# PELLET STOVES

## Premium Plus LINE

### P230 C



#### GENERAL CHARACTERISTICS

- Heating: Multifuoco System® with 4 speed levels, manually or automatically controlled. Ductable hot air
- Multicomfort Plus: Standard
- Multicomfort: Standard
- Dual Power System: 4 speed levels, manually or automatically controlled
- Front ventilation: directional air vent
- Natural Mode: yes
- Eco / Energy saving function: yes / yes
- Cladding / Top surface: majolica / majolica
- Rolling Top: top that slides
- Stove: airtight steel
- Firebox: cast iron
- Smoke baffle plate / Brazier: cast iron / cast iron
- Door / Handle: cast iron with ceramic glass resistant up to 750°C / detachable
- Design door: steel with screen-printed tempered glass
- Flue outlet position standard: left rear or upper
- Opzional flue: sop balanced flue
- LCD remote control: optional
- WiFi module- Bluetooth for App MyPIAZZETTA: standard
- Control panel with digital controls: yes
- Power level: 5
- Room temperature probe for temperature mangement: standard
- Wireless probe for temperature management: standard
- Programmable timer-thermostat: 6 daily time period settings
- Humidifier: stainless steel
- Pellet level sensor: yes
- Regular brazier cleaning: yes
- Glass cleaning: continuous air flow
- Outside air kit: standard
- Ash vacuum cleaner: standard
- Installation : wall - flush / corner
- Conveyor: steel
- Covection heating Majolica: yes
- Pellet Quality system function: yes
- Air combustion System function: yes

#### TECHNICAL DATA

- Model
- Type
- Room heating capacity (min - max)
- Nominal heat output (min - max)
- Thermal efficiency (min - max)
- Nominal consumption (min - max)
- Hopper capacity
- Stove weight

	REAR flue outlet	TOP flue outlet
P230 C	SP410-02	P230 C TOP
		SP410-01
Room heating capacity (min - max)	m <sup>3</sup>	185 - 315
Nominal heat output (min - max)	kW	3,9 - 11,0
Thermal efficiency (min - max)	%	90,0 - 90,7
Nominal consumption (min - max)	kg/h	0,8 - 2,4
Hopper capacity	kg	26
Stove weight	kg	187



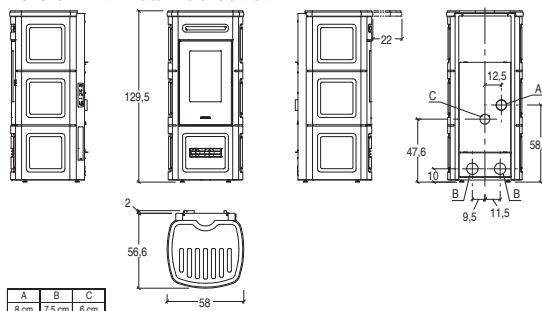
CODE EURO

VERSION	- REAR FLUE OUTLET - COMBUSTION AIR KIT, STANDARD	
TOTAL STOVE		<b>5.485,00</b>
Cladding	BIANCO	P06144300C 1.280,00
	CANAPA	P06144350C 1.280,00
	NERO OPACO	P06144160C 1.280,00
	VERDE MIRTO	P06144250C 1.280,00
TOTAL STOVE		<b>5.575,00</b>
Cladding	BIANCO GRIGIO	P06144410C 1.370,00
	ROSSO LAVA	P06144450C 1.370,00
Stove	P230 C REAR FLUE OUTLET	P07230000C 4.205,00

#### Accessories on request

Hot air ducting kit	N08019042C	35,00
Pellet loading kit	P08062180C	55,00
LCD remote control	P08062070C	120,00
Flexible pipe Ø 6 cm for combustion air	N08011017	19,00 per linear metre

#### Version with rear flue outlet



All dimensions in cm.

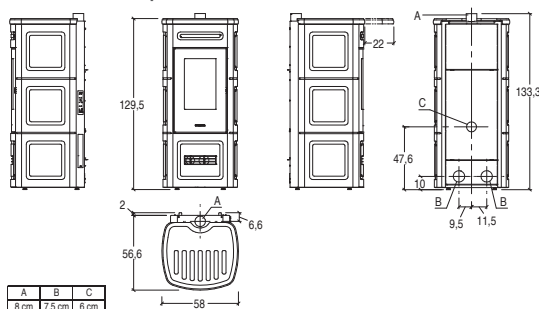
CODE EURO

VERSION	- TOP FLUE OUTLET - COMBUSTION AIR KIT, STANDARD	
TOTAL STOVE		<b>5.725,00</b>
Cladding	BIANCO	P06144300C 1.280,00
	CANAPA	P06144350C 1.280,00
	NERO OPACO	P06144160C 1.280,00
	VERDE MIRTO	P06144250C 1.280,00
TOTAL STOVE		<b>5.815,00</b>
Cladding	BIANCO GRIGIO	P06144410C 1.370,00
	ROSSO LAVA	P06144450C 1.370,00
Stove	P230 C TOP FLUE OUTLET	P07230010C 4.445,00

#### Accessories on request

Hot air ducting kit	N08019042C	35,00
Pellet loading kit	P08062180C	55,00
Top coaxial flue kit Ø 80/130	P08062060C	350,00
Top-rear flue kit	P08062170C	115,00
LCD remote control	P08062070C	120,00
Flexible pipe Ø 6 cm for combustion air	N08011017	19,00 per linear metre

#### Version with top flue outlet



All dimensions in cm.

# PELLET STOVES

## Premium Plus LINE

### P230 C with base



#### GENERAL CHARACTERISTICS

- Heating: Multifuoco System® with 4 speed levels, manually or automatically controlled. Ductable hot air
- Multicomfort Plus: Standard
- Multicomfort: Standard
- Dual Power System: 4 speed levels, manually or automatically controlled
- Front ventilation: directional air vent
- Natural Mode: yes
- Eco / Energy saving function: yes / yes
- Cladding / Top surface: majolica / majolica
- Rolling Top: top that slides
- Stove: airtight steel
- Firebox: cast iron
- Smoke baffle plate / Brazier: cast iron / cast iron
- Door / Handle: cast iron with ceramic glass resistant up to 750°C / detachable
- Design door: steel with screen-printed tempered glass
- Flue outlet position standard: left rear or upper
- Opzional flue: sop balanced flue
- LCD remote control: optional
- WiFi module- Bluetooth for App MyPIAZZETTA: standard
- Control panel with digital controls: yes
- Power level: 5
- Room temperature probe for temperature mangement: standard
- Wireless probe for temperature management: standard
- Programmable timer-thermostat: 6 daily time period settings
- Humidifier: stainless steel
- Pellet level sensor: yes
- Regular brazier cleaning: yes
- Glass cleaning: continuous air flow
- Outside air kit: standard
- Ash vacuum cleaner: standard
- Installation : wall - flush / corner
- Conveyor: steel
- Covection heating Majolica: yes
- Pellet Quality system function: yes
- Air combustion System function: yes

#### TECHNICAL DATA

- Model
- Type
- Room heating capacity (min - max)
- Nominal heat output (min - max)
- Thermal efficiency (min - max)
- Nominal consumption (min - max)
- Hopper capacity
- Stove weight

	REAR flue outlet	TOP flue outlet
Model	P230 C W/B	P230 C W/B TOP
Type	SP410-02	SP410-01
Room heating capacity (min - max)	185 - 315 m³	
Nominal heat output (min - max)	3,9 - 11,0 kW	4,1 - 11,0 kW
Thermal efficiency (min - max)	90,0 - 90,7 %	91,5 - 91,8 %
Nominal consumption (min - max)	0,8 - 2,4 kg/h	0,9 - 2,4 kg/h
Hopper capacity	26 kg	21 kg
Stove weight	193 kg	197 kg



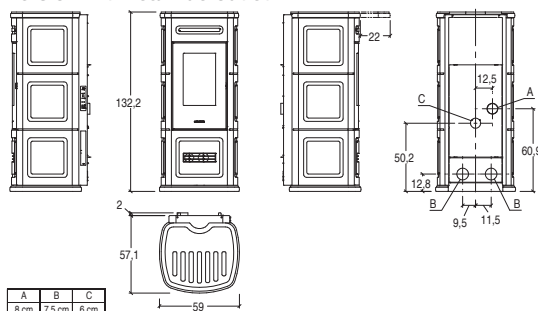
CODE EURO

VERSION	- REAR FLUE OUTLET - COMBUSTION AIR KIT, STANDARD	
TOTAL STOVE	<b>5.700,00</b>	
Cladding with stove base	BIANCO	P06145300C 1.495,00
	CANAPA	P06145350C 1.495,00
	NERO OPACO	P06145160C 1.495,00
	VERDE MIRTO	P06145250C 1.495,00
TOTAL STOVE	<b>5.790,00</b>	
Cladding with stove base	BIANCO GRIGIO	P06145410C 1.585,00
	ROSSO LAVA	P06145450C 1.585,00
Stove	P230 C REAR FLUE OUTLET	P07230000C 4.205,00

#### Accessories on request

Hot air ducting kit	N08019042C	35,00
Pellet loading kit	P08062180C	55,00
LCD remote control	P08062070C	120,00
Flexible pipe Ø 6 cm for combustion air	N08011017	19,00 per linear metre

#### Version with rear flue outlet



All dimensions in cm.

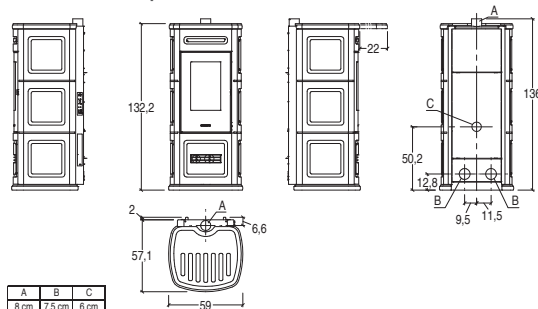
CODE EURO

VERSION	- TOP FLUE OUTLET - COMBUSTION AIR KIT, STANDARD	
TOTAL STOVE	<b>5.940,00</b>	
Cladding with stove base	BIANCO	P06145300C 1.495,00
	CANAPA	P06145350C 1.495,00
	NERO OPACO	P06145160C 1.495,00
	VERDE MIRTO	P06145250C 1.495,00
TOTAL STOVE	<b>6.030,00</b>	
Cladding with stove base	BIANCO GRIGIO	P06145410C 1.585,00
	ROSSO LAVA	P06145450C 1.585,00
Stove	P230 C TOP FLUE OUTLET	P07230010C 4.445,00

#### Accessories on request

Hot air ducting kit	N08019042C	35,00
Pellet loading kit	P08062180C	55,00
Top coaxial flue kit Ø 80/130	P08062060C	350,00
Top-rear flue kit	P08062170C	115,00
LCD remote control	P08062070C	120,00
Flexible pipe Ø 6 cm for combustion air	N08011017	19,00 per linear metre

#### Version with top flue outlet



All dimensions in cm.

# PELLET STOVES

## Premium Plus LINE

### P230 M



#### GENERAL CHARACTERISTICS

- Heating: Multifuoco System® with 4 speed levels, manually or automatically controlled. Ductable hot air
- Multicomfort Plus: Standard
- Multicomfort: Standard
- Dual Power System: 4 speed levels, manually or automatically controlled
- Front ventilation: directional air vent
- Side ventilation: fixed air vent optional
- Natural Mode: yes
- Eco / Energy saving function: yes / yes
- Cladding / Top surface: majolica / majolica
- Rolling Top: top that slides
- Stove: airtight steel
- Firebox: cast iron
- Smoke baffle plate / Brazier: cast iron / cast iron
- Door / Handle: cast iron with ceramic glass resistant up to 750°C / detachable
- Design door: steel with screen-printed tempered glass
- Flue outlet position standard: left rear or upper
- Opzional flue: sop balanced flue
- LCD remote control: optional
- WiFi module- Bluetooth for App MyPIAZZETTA: standard
- Control panel with digital controls: yes
- Power level: 5
- Room temperature probe for temperature mangement: standard
- Wireless probe for temperature management: standard
- Programmable timer-thermostat: 6 daily time period settings
- Humidifier: stainless steel
- Pellet level sensor: yes
- Regular brazier cleaning: yes
- Glass cleaning: continuous air flow
- Outside air kit: standard
- Ash vacuum cleaner: standard
- Installation : wall - flush / corner
- Conveyor: steel
- Convection heating Majolica: yes
- Pellet Quality system function: yes
- Air combustion System function: yes

#### TECHNICAL DATA

- Model
- Type
- Room heating capacity (min - max)
- Nominal heat output (min - max)
- Thermal efficiency (min - max)
- Nominal consumption (min - max)
- Hopper capacity
- Stove weight

	REAR flue outlet	TOP flue outlet
	P230 M	P230 M TOP
	SP410-02	SP410-01
		185 - 315
	m³	3,9 - 11,0
	kW	90,0 - 90,7
	%	0,8 - 2,4
	kg/h	26
	kg	21
	kg	193
	kg	197



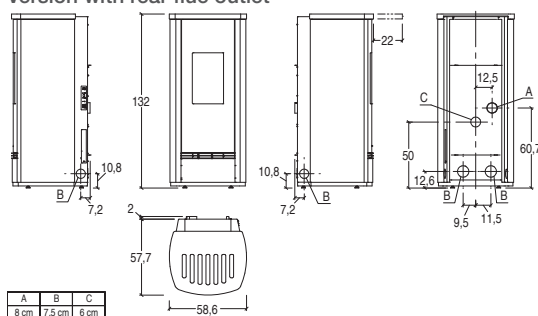
CODE EURO

VERSION	- REAR FLUE OUTLET - COMBUSTION AIR KIT, STANDARD		
TOTAL STOVE			<b>5.470,00</b>
Cladding	BIANCO CALCE	P06148940C	1.150,00
	NERO OPACO	P06148160C	1.150,00
	TERRA COTTA	P06148090C	1.150,00
TOTAL STOVE			<b>5.565,00</b>
Cladding	BIANCO GRIGIO	P06148410C	1.245,00
	MARRONE TENNÉ	P061483B0C	1.245,00
	ROSSO LAVA	P06148450C	1.245,00
Stove	P230 M REAR FLUE OUTLET	P07230200C	4.320,00

#### Accessories on request

Fixed side warm air vent kit	P08062240C	35,00
Hot air ducting kit	N08019042C	35,00
Pellet loading kit	P08062180C	55,00
LCD remote control	P08062070C	120,00
Flexible pipe Ø 6 cm for combustion air	N08011017	19,00 per linear metre

#### Version with rear flue outlet



All dimensions in cm.

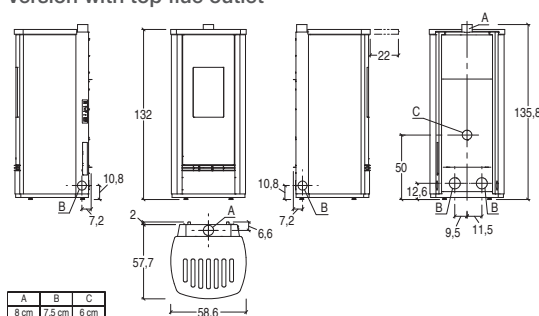
CODE EURO

VERSION	- TOP FLUE OUTLET - COMBUSTION AIR KIT, STANDARD		
TOTAL STOVE			<b>5.710,00</b>
Cladding	BIANCO CALCE	P06148940C	1.150,00
	NERO OPACO	P06148160C	1.150,00
	TERRA COTTA	P06148090C	1.150,00
TOTAL STOVE			<b>5.805,00</b>
Cladding	BIANCO GRIGIO	P06148410C	1.245,00
	MARRONE TENNÉ	P061483B0C	1.245,00
	ROSSO LAVA	P06148450C	1.245,00
Stove	P230 M TOP FLUE OUTLET	P07230210C	4.560,00

#### Accessories on request

Fixed side warm air vent kit	P08062240C	35,00
Hot air ducting kit	N08019042C	35,00
Pellet loading kit	P08062180C	55,00
Top coaxial flue kit Ø 80/130	P08062060C	350,00
Top-rear flue kit	P08062170C	115,00
LCD remote control	P08062070C	120,00
Flexible pipe Ø 6 cm for combustion air	N08011017	19,00 per linear metre

#### Version with top flue outlet



All dimensions in cm.

# PELLET STOVES

## Premium Plus LINE

### P230 M STEEL



Available while stocks last.

#### GENERAL CHARACTERISTICS

- Heating: Multifuoco System® with 4 speed levels, manually or automatically controlled. Ductable hot air
- Multicomfort Plus: Standard
- Multicomfort: Standard
- Dual Power System: 4 speed levels, manually or automatically controlled
- Front ventilation: directional air vent
- Side ventilation: fixed air vent optional
- Natural Mode: yes
- Eco / Energy saving function: yes / yes
- Cladding / Top surface: steel / majolica
- Rolling Top: top that slides
- Stove: airtight steel
- Firebox: cast iron
- Smoke baffle plate / Brazier: cast iron / cast iron
- Door / Handle: cast iron with ceramic glass resistant up to 750°C / detachable
- Design door: steel with screen-printed tempered glass
- Flue outlet position standard: left rear or upper
- Opzional flue: sop balanced flue
- LCD remote control: optional
- WiFi module- Bluetooth for App MyPIAZZETTA: standard
- Control panel with digital controls: yes
- Power level: 5
- Room temperature probe for temperature mangement: standard
- Wireless probe for temperature management: standard
- Programmable timer-thermostat: 6 daily time period settings
- Humidifier: stainless steel
- Pellet level sensor: yes
- Regular brazier cleaning: yes
- Glass cleaning: continuous air flow
- Outside air kit: standard
- Ash vacuum cleaner: standard
- Installation : wall - flush / corner
- Conveyor: steel
- Pellet Quality system function: yes
- Air combustion System function: yes

#### TECHNICAL DATA

- Model
- Type
- Room heating capacity (min - max)
- Nominal heat output (min - max)
- Thermal efficiency (min - max)
- Nominal consumption (min - max)
- Hopper capacity
- Stove weight

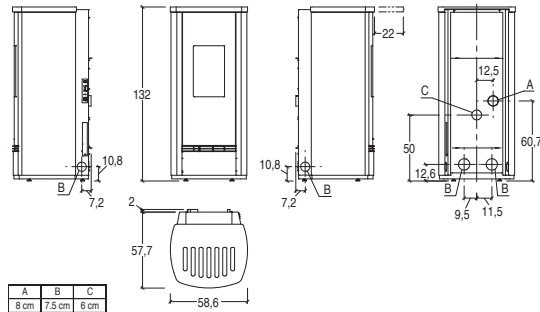
	REAR flue outlet	TOP flue outlet
	P230 M STEEL	P230 M TOP STEEL
	SP410-02	SP410-01
	185 - 315	185 - 315
	3,9 - 11,0	4,1 - 11,0
	90,0 - 90,7	91,5 - 91,8
	0,8 - 2,4	0,9 - 2,4
	26	21
	193	197



CODE EURO

VERSION	- REAR FLUE OUTLET - COMBUSTION AIR KIT, STANDARD		
TOTAL STOVE			<b>5.090,00</b>
Cladding	BIANCO	P19230200C	770,00
	NERO	P19230210C	770,00
Stove	P230 M REAR FLUE OUTLET	P07230200C	4.320,00
<b>Accessories on request</b>			
Fixed side warm air vent kit		P08062240C	35,00
Hot air ducting kit		N08019042C	35,00
Pellet loading kit		P08062180C	55,00
LCD remote control		P08062070C	120,00
Flexible pipe Ø 6 cm for combustion air		N08011017C	19,00 <small>per linear metre</small>

#### Version with rear flue outlet

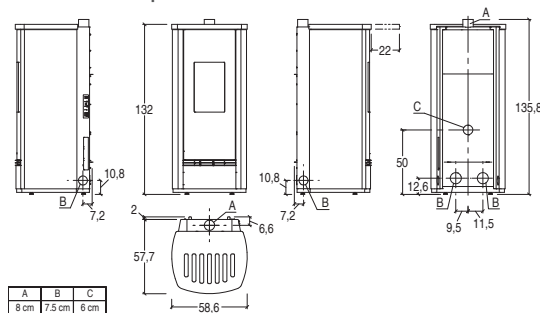


All dimensions in cm.

CODE EURO

VERSION	- TOP FLUE OUTLET - COMBUSTION AIR KIT, STANDARD		
TOTAL STOVE			<b>5.330,00</b>
Cladding	BIANCO	P19230200C	770,00
	NERO	P19230210C	770,00
Stove	P230 M TOP FLUE OUTLET	P07230210C	4.560,00
<b>Accessories on request</b>			
Top-rear flue kit		P08062170C	115,00
Fixed side warm air vent kit		P08062240C	35,00
Hot air ducting kit		N08019042C	35,00
Pellet loading kit		P08062180C	55,00
Top coaxial flue kit Ø 80/130		P08062060C	350,00
LCD remote control		P08062070C	120,00
Flexible pipe Ø 6 cm for combustion air		N08011017C	19,00 <small>per linear metre</small>

#### Version with top flue outlet



All dimensions in cm.



**P230 T**



**GENERAL CHARACTERISTICS**

- Heating: Multifuoco System® with 4 speed levels, manually or automatically controlled. Ductable hot air
- Multicomfort Plus: Standard
- Multicomfort: Standard
- Dual Power System: 4 speed levels, manually or automatically controlled
- Front ventilation: directional air vent
- Side ventilation: fixed air vent optional
- Natural Mode: yes
- Eco / Energy saving function: yes / yes
- Cladding / Top surface: majolica / majolica
- Rolling Top: top that slides
- Stove: airtight steel
- Firebox: cast iron
- Smoke baffle plate / Brazier: cast iron / cast iron
- Door / Handle: cast iron with ceramic glass resistant up to 750°C / detachable
- Design door: steel with screen-printed tempered glass
- Flue outlet position standard: left rear or upper
- Opzional flue: sop balanced flue
- LCD remote control: optional
- WiFi module- Bluetooth for App MyPIAZZETTA: standard
- Control panel with digital controls: yes
- Power level: 5
- Room temperature probe for temperature mangement: standard
- Wireless probe for temperature management: standard
- Programmable timer-thermostat: 6 daily time period settings
- Humidifier: stainless steel
- Pellet level sensor: yes
- Regular brazier cleaning: yes
- Glass cleaning: continuous air flow
- Outside air kit: standard
- Ash vacuum cleaner: standard
- Installation : wall - flush / corner
- Conveyor: steel
- Convection heating Majolica: yes
- Pellet Quality system function: yes
- Air combustion System function: yes

**TECHNICAL DATA**

- Model
- Type
- Room heating capacity (min - max)
- Nominal heat output (min - max)
- Thermal efficiency (min - max)
- Nominal consumption (min - max)
- Hopper capacity
- Stove weight

	REAR flue outlet	TOP flue outlet
	P230 T	P230 T TOP
	SP410-02	SP410-01
	185 - 315	185 - 315
	m³	m³
	3,9 - 11,0	4,1 - 11,0
	kW	kW
	90,0 - 90,7	91,5 - 91,8
	%	%
	0,8 - 2,4	0,9 - 2,4
	kg/h	kg/h
	26	21
	kg	kg
	186	190



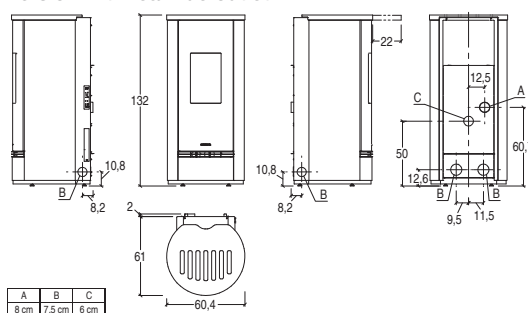
CODE EURO

VERSION	- REAR FLUE OUTLET - COMBUSTION AIR KIT, STANDARD	CODE	EURO
<b>TOTAL STOVE</b>			<b>5.470,00</b>
Cladding	BIANCO CALCE	P06146940C	1.150,00
	NERO OPACO	P06146160C	1.150,00
	TERRA COTTA	P06146090C	1.150,00
<b>TOTAL STOVE</b>			<b>5.565,00</b>
Cladding	BIANCO GRIGIO	P06146410C	1.245,00
	MARRONE TENNÉ	P061463B0C	1.245,00
	ROSSO LAVA	P06146450C	1.245,00
Stove	P230 T REAR FLUE OUTLET	P07230100C	4.320,00

**Accessories on request**

Fixed side warm air vent kit	P08062240C	35,00
Hot air ducting kit	N08019042C	35,00
Pellet loading kit	P08062180C	55,00
LCD remote control	P08062070C	120,00
Flexible pipe Ø 6 cm for combustion air	N08011017	19,00 per linear metre

**Version with rear flue outlet**



All dimensions in cm.

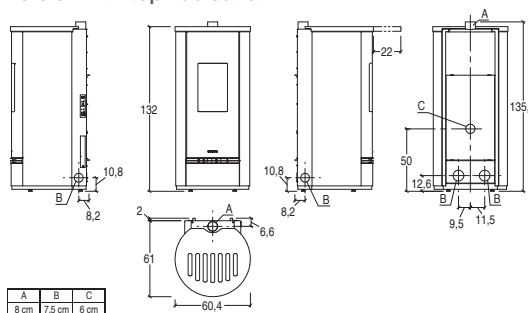
CODE EURO

VERSION	- TOP FLUE OUTLET - COMBUSTION AIR KIT, STANDARD	CODE	EURO
<b>TOTAL STOVE</b>			<b>5.710,00</b>
Cladding	BIANCO CALCE	P06146940C	1.150,00
	NERO OPACO	P06146160C	1.150,00
	TERRA COTTA	P06146090C	1.150,00
<b>TOTAL STOVE</b>			<b>5.805,00</b>
Cladding	BIANCO GRIGIO	P06146410C	1.245,00
	MARRONE TENNÉ	P061463B0C	1.245,00
	ROSSO LAVA	P06146450C	1.245,00
Stove	P230 T TOP FLUE OUTLET	P07230110C	4.560,00

**Accessories on request**

Fixed side warm air vent kit	P08062240C	35,00
Hot air ducting kit	N08019042C	35,00
Pellet loading kit	P08062180C	55,00
Top coaxial flue kit Ø 80/130	P08062060C	350,00
Top-rear flue kit	P08062170C	115,00
LCD remote control	P08062070C	120,00
Flexible pipe Ø 6 cm for combustion air	N08011017	19,00 per linear metre

**Version with top flue outlet**



All dimensions in cm.



# PELLET STOVES

## Premium Plus LINE

### P230 T STEEL



Available while stocks last.

#### GENERAL CHARACTERISTICS

- Heating: Multifuoco System® with 4 speed levels, manually or automatically controlled. Ductable hot air
- Multicomfort Plus: Standard
- Multicomfort: Standard
- Dual Power System: 4 speed levels, manually or automatically controlled
- Front ventilation: directional air vent
- Side ventilation: fixed air vent optional
- Natural Mode: yes
- Eco / Energy saving function: yes / yes
- Cladding / Top surface: steel / majolica
- Rolling Top: top that slides
- Stove: airtight steel
- Firebox: cast iron
- Smoke baffle plate / Brazier: cast iron / cast iron
- Door / Handle: cast iron with ceramic glass resistant up to 750°C / detachable
- Design door: steel with screen-printed tempered glass
- Flue outlet position standard: left rear or upper
- Opzional flue: sop balanced flue
- LCD remote control: optional
- WiFi module- Bluetooth for App MyPIAZZETTA: standard
- Control panel with digital controls: yes
- Power level: 5
- Room temperature probe for temperature mangement: standard
- Wireless probe for temperature management: standard
- Programmable timer-thermostat: 6 daily time period settings
- Humidifier: stainless steel
- Pellet level sensor: yes
- Regular brazier cleaning: yes
- Glass cleaning: continuous air flow
- Outside air kit: standard
- Ash vacuum cleaner: standard
- Installation : wall - flush / corner
- Conveyor: steel
- Pellet Quality system function: yes
- Air combustion System function: yes

#### TECHNICAL DATA

- Model
- Type
- Room heating capacity (min - max)
- Nominal heat output (min - max)
- Thermal efficiency (min - max)
- Nominal consumption (min - max)
- Hopper capacity
- Stove weight

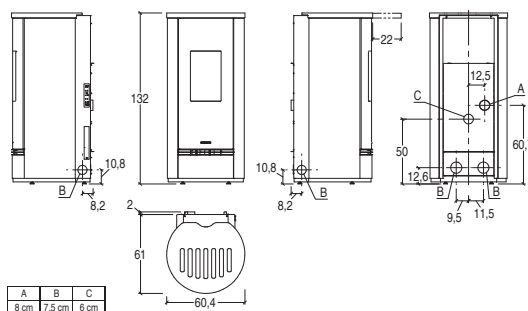
	REAR flue outlet	TOP flue outlet
	P230 T STEEL	P230 T TOP STEEL
	SP410-02	SP410-01
	185 - 315	185 - 315
	3,9 - 11,0	4,1 - 11,0
	90,0 - 90,7	91,5 - 91,8
	0,8 - 2,4	0,9 - 2,4
	26	21
	186	190



CODE EURO

VERSION	- REAR FLUE OUTLET - COMBUSTION AIR KIT, STANDARD		
TOTAL STOVE			<b>5.090,00</b>
Cladding	BIANCO	P19230100C	770,00
	NERO	P19230110C	770,00
Stove	P230 T REAR FLUE OUTLET	P07230100C	4.320,00
<b>Accessories on request</b>			
Fixed side warm air vent kit		P08062240C	35,00
Hot air ducting kit		N08019042C	35,00
Pellet loading kit		P08062180C	55,00
LCD remote control		P08062070C	120,00
Flexible pipe Ø 6 cm for combustion air		N08011017C	19,00 per linear metre

#### Version with rear flue outlet

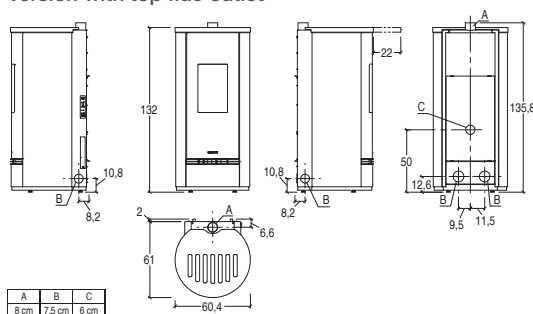


All dimensions in cm.

CODE EURO

VERSION	- TOP FLUE OUTLET - COMBUSTION AIR KIT, STANDARD		
TOTAL STOVE			<b>5.330,00</b>
Cladding	BIANCO	P19230100C	770,00
	NERO	P19230110C	770,00
Stove	P230 T TOP FLUE OUTLET	P07230110C	4.560,00
<b>Accessories on request</b>			
Fixed side warm air vent kit		P08062240C	35,00
Hot air ducting kit		N08019042C	35,00
Pellet loading kit		P08062180C	55,00
Top coaxial flue kit Ø 80/130		P08062060C	350,00
Top-rear flue kit		P08062170C	115,00
LCD remote control		P08062070C	120,00
Flexible pipe Ø 6 cm for combustion air		N08011017C	19,00 per linear metre

#### Version with top flue outlet



All dimensions in cm.

# PELLET STOVES

## Premium Plus LINE

### P230 T Frontal Glass



#### GENERAL CHARACTERISTICS

- Heating: Multifuoco System® with 4 speed levels, manually or automatically controlled. Ductable hot air
- Multicomfort Plus: Standard
- Multicomfort: Standard
- Dual Power System: 4 speed levels, manually or automatically controlled
- Front ventilation: directional air vent
- Side ventilation: fixed air vent optional
- Stove: airtight steel
- Natural Mode: yes
- Eco / Energy saving function: yes / yes
- Cladding / Top surface: majolica / majolica
- Rolling Top: top that slides
- Firebox: cast iron
- Smoke baffle plate / Brazier: cast iron / cast iron
- Door / Handle: cast iron with ceramic glass resistant up to 750°C / detachable
- Design door: steel with screen-printed tempered glass
- Flue outlet position standard: left rear or upper
- Opzional flue: sop balanced flue
- LCD remote control: optional
- WiFi module- Bluetooth for App MyPIAZZETTA: standard
- Control panel with digital controls: yes
- Power level: 5
- Room temperature probe for temperature mangement: standard
- Wireless probe for temperature management: standard
- Programmable timer-thermostat: 6 daily time period settings
- Humidifier: stainless steel
- Pellet level sensor: yes
- Regular brazier cleaning: yes
- Glass cleaning: continuous air flow
- Outside air kit: standard
- Ash vacuum cleaner: standard
- Installation : wall - flush / corner
- Conveyor: steel
- Convection heating Majolica: yes
- Pellet Quality system function: yes
- Air combustion System function: yes

#### TECHNICAL DATA

- Model
- Type
- Room heating capacity (min - max)
- Nominal heat output (min - max)
- Thermal efficiency (min - max)
- Nominal consumption (min - max)
- Hopper capacity
- Stove weight

	REAR flue outlet	TOP flue outlet
	P230 T FR/G	P230 T FR/G TOP
	SP410-02	SP410-01
	m³	185 - 315
	kW	3,9 - 11,0
	%	90,0 - 90,7
	kg/h	0,8 - 2,4
	kg	26
	kg	184



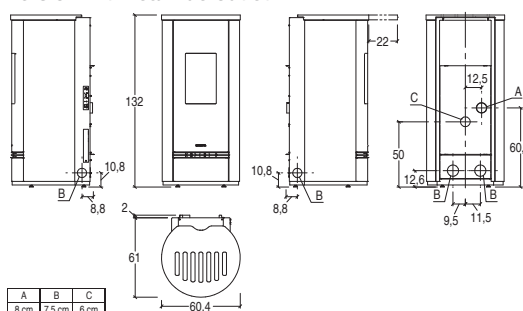
CODE EURO

VERSION	- REAR FLUE OUTLET - COMBUSTION AIR KIT, STANDARD		
TOTAL STOVE			<b>5.470,00</b>
Cladding with glass front panel	BIANCO CALCE NERO OPACO TERRA COTTA	P06147940C P06147160C P06147090C	1.150,00 1.150,00 1.150,00
TOTAL STOVE			<b>5.565,00</b>
Cladding with glass front panel	BIANCO GRIGIO MARRONE TENNÉ ROSSO LAVA	P06147410C P061473B0C P06147450C	1.245,00 1.245,00 1.245,00
Stove	P230 T REAR FLUE OUTLET	P07230100C	4.320,00

#### Accessories on request

Fixed side warm air vent kit	P08062240C	35,00
Hot air ducting kit	N08019042C	35,00
Pellet loading kit	P08062180C	55,00
LCD remote control	P08062070C	120,00
Flexible pipe Ø 6 cm for combustion air	N08011017	19,00 per linear metre

#### Version with rear flue outlet



All dimensions in cm.

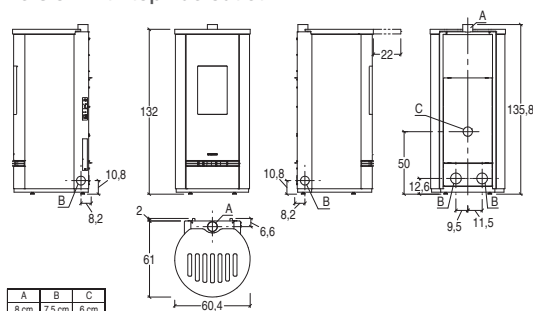
CODE EURO

VERSION	- TOP FLUE OUTLET - COMBUSTION AIR KIT, STANDARD		
TOTAL STOVE			<b>5.710,00</b>
Cladding with glass front panel	BIANCO CALCE NERO OPACO TERRA COTTA	P06147940C P06147160C P06147090C	1.150,00 1.150,00 1.150,00
TOTAL STOVE			<b>5.805,00</b>
Cladding with glass front panel	BIANCO GRIGIO MARRONE TENNÉ ROSSO LAVA	P06147410C P061473B0C P06147450C	1.245,00 1.245,00 1.245,00
Stove	P230 T TOP FLUE OUTLET	P07230110C	4.560,00

#### Accessories on request

Fixed side warm air vent kit	P08062240C	35,00
Hot air ducting kit	N08019042C	35,00
Pellet loading kit	P08062180C	55,00
Top coaxial flue kit Ø 80/130	P08062060C	350,00
Top-rear flue kit	P08062170C	115,00
LCD remote control	P08062070C	120,00
Flexible pipe Ø 6 cm for combustion air	N08011017	19,00 per linear metre

#### Version with top flue outlet



All dimensions in cm.

**P230 T STEEL Frontal Glass**



Available while stocks last.

**GENERAL CHARACTERISTICS**

- Heating: Multifuoco System® with 4 speed levels, manually or automatically controlled. Ductable hot air
- Multicomfort Plus: Standard
- Multicomfort: Standard
- Dual Power System: 4 speed levels, manually or automatically controlled
- Front ventilation: directional air vent
- Side ventilation: fixed air vent optional
- Natural Mode: yes
- Eco / Energy saving function: yes / yes
- Cladding / Top surface: steel / majolica
- Rolling Top: top that slides
- Stove: airtight steel
- Firebox: cast iron
- Smoke baffle plate / Brazier: cast iron / cast iron
- Door / Handle: cast iron with ceramic glass resistant up to 750°C / detachable
- Design door: steel with screen-printed tempered glass
- Flue outlet position standard: left rear or upper
- Opzional flue: sop balanced flue
- LCD remote control: optional
- WiFi module- Bluetooth for App MyPIAZZETTA: standard
- Control panel with digital controls: yes
- Power level: 5
- Room temperature probe for temperature mangement: standard
- Wireless probe for temperature management: standard
- Programmable timer-thermostat: 6 daily time period settings
- Humidifier: stainless steel
- Pellet level sensor: yes
- Regular brazier cleaning: yes
- Glass cleaning: continuous air flow
- Outside air kit: standard
- Ash vacuum cleaner: standard
- Installation : wall - flush / corner
- Conveyor: steel
- Pellet Quality system function: yes
- Air combustion System function: yes

**TECHNICAL DATA**

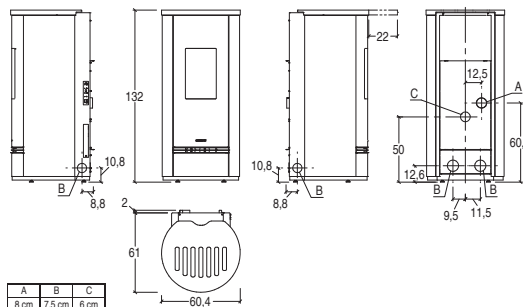
- Model
- Type
- Room heating capacity (min - max) m³
- Nominal heat output (min - max) kW
- Thermal efficiency (min - max) %
- Nominal consumption (min - max) kg/h
- Hopper capacity kg
- Stove weight kg

	REAR flue outlet	TOP flue outlet
P230 T FR/G STEEL	SP410-02	P230 T FR/G TOP STEEL
	185 - 315	SP410-01
	3,9 - 11,0	4,1 - 11,0
	90,0 - 90,7	91,5 - 91,8
	0,8 - 2,4	0,9 - 2,4
	26	21
	184	188



VERSION	- REAR FLUE OUTLET - COMBUSTION AIR KIT, STANDARD	CODE	EURO
<b>TOTAL STOVE</b>			<b>5.090,00</b>
Cladding with glass front panel	BIANCO	P19230300C	770,00
	NERO	P19230310C	770,00
Stove	P230 T REAR FLUE OUTLET	P07230100C	4.320,00
<b>Accessories on request</b>			
Fixed side warm air vent kit		P08062240C	35,00
Hot air ducting kit		N08019042C	35,00
Pellet loading kit		P08062180C	55,00
LCD remote control		P08062070C	120,00
Flexible pipe Ø 6 cm for combustion air		N08011017C	19,00 <small>per linear metre</small>

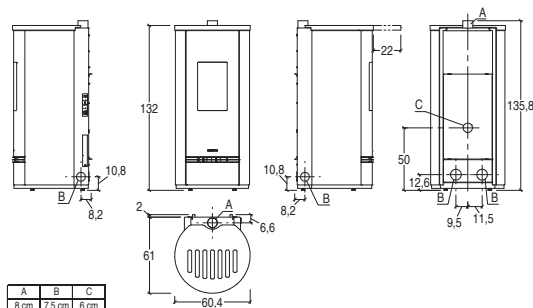
**Version with rear flue outlet**



All dimensions in cm.

VERSION	- TOP FLUE OUTLET - COMBUSTION AIR KIT, STANDARD	CODE	EURO
<b>TOTAL STOVE</b>			<b>5.330,00</b>
Cladding with glass front panel	BIANCO	P19230300C	770,00
	NERO	P19230310C	770,00
Stove	P230 T TOP FLUE OUTLET	P07230110C	4.560,00
<b>Accessories on request</b>			
Fixed side warm air vent kit		P08062240C	35,00
Hot air ducting kit		N08019042C	35,00
Pellet loading kit		P08062180C	55,00
Top coaxial flue kit Ø 80/130		P08062060C	350,00
Top-rear flue kit		P08062170C	115,00
LCD remote control		P08062070C	120,00
Flexible pipe Ø 6 cm for combustion air		N08011017C	19,00 <small>per linear metre</small>

**Version with top flue outlet**



All dimensions in cm.

**P240**



**GENERAL CHARACTERISTICS**

- Heating: Multifuoco System® with 3 speed levels, manually or automatically controlled. Ductable hot air
- Multicomfort Plus: Standard
- Multicomfort: Standard
- Front ventilation: air vent
- Side ventilation: fixed air vent optional
- Natural Mode: yes
- Eco / Energy saving function: yes / yes
- Cladding / Top surface: steel - majolica / steel
- Stove: airtight steel
- Firebox: cast iron
- Smoke baffle plate / Brazier: cast iron / cast iron
- Door / Handle: cast iron with ceramic glass resistant up to 750°C / detachable
- Design door: steel with screen-printed tempered glass
- Standard flue outlet position: top or rear
- Optional flue: sop balanced flue
- LCD remote control: optional
- WiFi module- Bluetooth for App MyPIAZZETTA: standard
- Control panel with digital controls: yes
- Power level: 4
- Room temperature probe for temperature mangement: standard
- Wireless probe for temperature management: standard
- Programmable timer-thermostat: 6 daily time period settings
- Humidifier: stainless steel
- Pellet level sensor: yes
- Regular brazier cleaning: yes
- Glass cleaning: continuous air flow
- Outside air kit: standard
- Ash vacuum cleaner: standard
- Installation : wall - flush
- Conveyor: steel
- Pellet Quality system function: yes
- Air combustion System function: yes

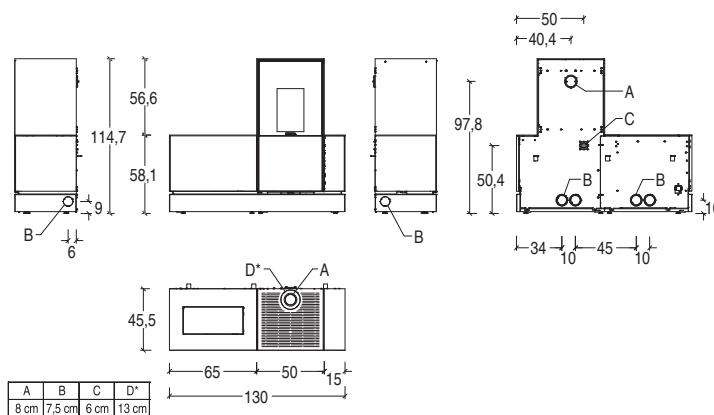
**TECHNICAL DATA**

• Model		P240
• Type		SP400-06
• Room heating capacity (min - max)	m <sup>3</sup>	145 - 245
• Nominal heat output (min - max)	kW	3,6 - 8,5
• Thermal efficiency (min - max)	%	92,3 - 93,2
• Nominal consumption (min - max)	kg/h	0,8 - 1,9
• Hopper capacity	kg	30
• Stove weight	kg	250



CODE EURO

VERSION	- TOP FLUE OUTLET - COMBUSTION AIR KIT, STANDARD	
TOTAL STOVE		<b>6.650,00</b>
Cladding	BIANCO CALCE	P06159940C 1.015,00
	NERO OPACO	P06159160C 1.015,00
	TERRA COTTA	P06159090C 1.015,00
TOTAL STOVE		<b>6.735,00</b>
Cladding	BIANCO GRIGIO	P06159410C 1.100,00
	MARRONE TENNÉ	P061593B0C 1.100,00
	ROSSO LAVA	P06159450C 1.100,00
Stove	P240	P07024000C 5.635,00
<b>Accessories on request</b>		
Fixed side warm air vent kit	P08062240C	35,00
Hot air ducting kit	N08019042C	35,00
Top coaxial flue kit Ø 80/130	P08062780C	205,00
LCD remote control	P08062070C	120,00
Flexible pipe Ø 6 cm for combustion air	N08011017	19,00 <small>per linear metre</small>



All dimensions in cm.

**P241**

**GENERAL CHARACTERISTICS**

- Heating: Multifuoco System® with 3 speed levels, manually or automatically controlled. Ductable hot air
- Multicomfort Plus: Standard
- Multicomfort: Standard
- Front ventilation: directional air vent
- Natural Mode: yes
- Eco / Energy saving function: yes / yes
- Cladding / Top surface: steel / steel
- Stove: airtight steel
- Firebox: cast iron
- Smoke baffle plate / Brazier: cast iron / cast iron
- Door / Handle: cast iron with ceramic glass resistant up to 750°C / detachable
- Design door: steel with majolica panel
- Standard flue outlet position: rear left
- LCD remote control: optional
- WiFi module- Bluetooth for App MyPIAZZETTA: standard
- Control panel with digital controls: yes
- Power level: 4
- Room temperature probe for temperature mangement: standard
- Wireless probe for temperature management: standard
- Programmable timer-thermostat: 6 daily time period settings
- Humidifier: stainless steel
- Pellet level sensor: yes
- Regular brazier cleaning: yes
- Glass cleaning: continuous air flow
- Outside air kit: standard
- Ash vacuum cleaner: standard
- Installation : wall - flush / corner
- Pellet Quality system function: yes
- Air combustion System function: yes

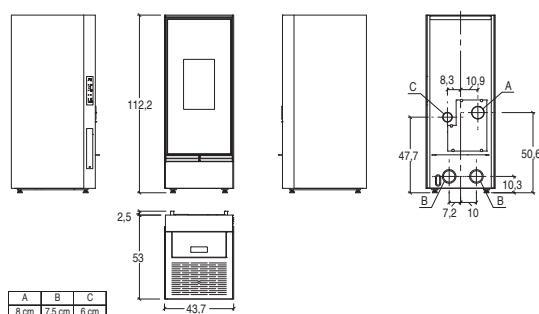
**TECHNICAL DATA**

		REAR flue outlet
• Model		P241
• Type		SP400-10
• Room heating capacity (min - max)	m <sup>3</sup>	145 - 245
• Nominal heat output (min - max)	kW	3,3 - 8,5
• Thermal efficiency (min - max)	%	91,2 - 91,2
• Nominal consumption (min - max)	kg/h	0,75 - 1,95
• Hopper capacity	kg	19,5
• Stove weight	kg	170



CODE EURO

VERSION	- REAR FLUE OUTLET - COMBUSTION AIR KIT, STANDARD	
TOTAL STOVE		<b>4.945,00</b>
Cladding	BIANCO CALCE	P06241930C 1.045,00
	NERO OPACO	P06241160C 1.045,00
	TERRA COTTA	P06241090C 1.045,00
TOTAL STOVE		<b>5.025,00</b>
Cladding	BLU VERDEMARE	P06241110C 1.125,00
	GIALLO ACCESO	P06241260C 1.125,00
	MARRONE TENNÉ	P062413B0C 1.125,00
	ROSSO LAVA	P06241450C 1.125,00
Stove	P241 REAR FLUE OUTLET	P07092600C 3.900,00
<b>Accessories on request</b>		
Hot air ducting kit	N08019042C	35,00
LCD remote control	P08062070C	120,00
Flexible pipe Ø 6 cm for combustion air	N08011017	19,00 <small>per linear metre</small>



All dimensions in cm.

# Premium LINE

## PELLET STOVES

Data charts . . . . .	.64
P910 T Frontal Glass . . . . .	.76
P910 T TOP Frontal Glass . . . . .	.77
P910 T STEEL Frontal Glass . . . . .	.78
P910 T TOP STEEL Frontal Glass . . . . .	.79
P920 C . . . . .	.80
P920 K . . . . .	.81
P920 M . . . . .	.82
P920 M STEEL . . . . .	.83
P920 T . . . . .	.84
P920 T STEEL . . . . .	.85
P921 R . . . . .	.86
P921 T Frontal Glass . . . . .	.87
P921 T TOP Frontal Glass . . . . .	.88
P921 T STEEL Frontal Glass . . . . .	.89
P921 T TOP STEEL Frontal Glass . . . . .	.90
P925 Frontal Glass . . . . .	.91
P930 C . . . . .	.92
P930 K . . . . .	.93
P930 M . . . . .	.94
P930 M STEEL . . . . .	.95
P930 T . . . . .	.96
P930 T STEEL . . . . .	.97
P931 R . . . . .	.98
LINE . . . . .	.99
P934 . . . . .	100
P939 . . . . .	101
P945 C . . . . .	102
P945 TOP STEEL . . . . .	103
Accessories . . . . .	125

## Data charts



Technical data	Units	P910 T TOP Frontal Glass	P910 T TOP STEEL Frontal Glass
Version		-	-
Forced ventilation		yes	yes
Ductable		yes	yes
Natural convection		yes	yes
Hermetic		yes	yes
Oven		-	-
Model		P910 T TOP FG	P910 T TOP STEEL Frontal Glass
Type		SP450-15A	SP450-15A
Energy efficiency class		A+	A+
Room heating capacity *	m <sup>3</sup>	100 - 175	100 - 175
Nominal heat output (min - max)	kW	2,8 - 6,0	2,8 - 6,0
Thermal efficiency (min - max)	%	≥ 92 - ≥ 92	≥ 92 - ≥ 92
Nominal consumption (min - max)	kg/h	0,63 - 1,37	0,63 - 1,37
Standard flue outlet Ø	cm	8	8
Hopper capacity	kg	15,5	15,5
Dimensions W x D x H	cm	49,2 x 53 x 112,2	54,4 x 54,8 x 123,5
Weight	kg	165	112
Oven W x D x H			
Heating		Multifuoco System with lower front warm air outlet, ductable / Sweet Air Mode, upper front ventilation system	Multifuoco System with lower front warm air outlet, ductable / Sweet Air Mode, upper front ventilation system
Dual Power System		-	-
Front ventilation		-	-
Side ventilation		-	-
Natural Mode		all fans turned off	all fans turned off
Eco / Energy Saving function		yes / yes	yes / yes
Cladding / Top surface		majolica / steel	steel / steel
Rolling Top		-	-
Stove		airtight, steel	airtight, steel
Firebox		Aluker®	Aluker®
Smoke baffle plate / Brazier		cast iron / cast iron	cast iron / cast iron
Door / Handle		Cast iron with ceramic glass resistant upto 750°C / cool handle	Cast iron with ceramic glass resistant upto 750°C / cool handle
Removable ash drawer		yes	yes
Ash tray		-	-
Oven		-	-
Standard flue outlet position		top	top
Optional flue outlet		-	-
LCD remote control		standard	standard
Display with digital controls		yes	yes
Power level		5	5
Ambient probe for temperature control		standard	standard
Programmable timer-thermostat		6 daily time frames	6 daily time frames
Humidifier		stainless steel	stainless steel
Pellet level sensor		yes	yes
Brazier cleaning intervals		yes	yes
Glass cleaning system		continuous air flow	continuous air flow
WiFi module- Bluetooth for App MyPIAZZETTA		standard	standard
Combustion air kit		-	-
Ash vacuum cleaner		standard	standard
Optional remote control		-	-
Optional side air vents		-	-
Optional directional front air vents		-	-
Installation		wall - corner	wall - corner

\* Calculated on the basis of nominal heat output, referring to rooms with a heating requirement between 0.060 and 0.035 kW per m<sup>3</sup>. We recommend always contacting a heating engineer for the final calculations.



# PELLET-BURNING STOVES Premium LINE

## Data charts



P920 C	P920 C TOP	P920 K	P920 K TOP
Version with rear flue outlet	Version with top flue outlet	Version with rear flue outlet	Version with top flue outlet
yes	yes	yes	yes
yes	yes	yes	yes
yes	yes	yes	yes
yes	yes	yes	yes
-	-	-	-
P920 C	P920 C TOP	P920 K	P920 K TOP
SP400-04	SP400-03	SP400-04	SP400-03
A+	A+	A+	A+
145 - 245	145 - 245	145 - 245	145 - 245
3,3 - 8,5	3,4 - 8,5	3,3 - 8,5	3,4 - 8,5
89,0 - 90,3	89,8 - 91,3	89,0 - 90,3	89,8 - 91,3
0,7 - 1,9	0,7 - 1,9	0,7 - 1,9	0,7 - 1,9
8	8	8	8
18	14	18	14
51 x 55 x 115,6	51 x 55 x 115,6	55,8 x 57,6 x 115,6	55,8 x 57,6 x 115,6
147	150	153	158
Multifuoco System® with 3 speed levels, manually or automatically controlled. Ductable hot air	Multifuoco System® with 3 speed levels, manually or automatically controlled. Ductable hot air	Multifuoco System® with 3 speed levels, manually or automatically controlled. Ductable hot air	Multifuoco System® with 3 speed levels, manually or automatically controlled. Ductable hot air
-	-	-	-
directional air vent fixed outlet, optional	directional air vent fixed outlet, optional	directional air vent fixed outlet, optional	directional air vent fixed outlet, optional
yes	yes	yes	yes
yes / yes	yes / yes	yes / yes	yes / yes
majolica / steel - cast iron	majolica / steel - cast iron	majolica / steel - cast iron	majolica / steel - cast iron
-	-	-	-
airtight, steel	airtight, steel	airtight, steel	airtight, steel
cast iron	cast iron	cast iron	cast iron
cast iron / cast iron	cast iron / cast iron	cast iron / cast iron	cast iron / cast iron
Cast iron with ceramic glass resistant upto 750°C / cool handle	Cast iron with ceramic glass resistant upto 750°C / cool handle	Cast iron with ceramic glass resistant upto 750°C / cool handle	Cast iron with ceramic glass resistant upto 750°C / cool handle
-	-	-	-
-	-	-	-
rear	top	rear	top
-	Top balanced flue	-	Top balanced flue
optional	optional	optional	optional
yes	yes	yes	yes
4	4	4	4
standard	standard	standard	standard
6 daily time frames	6 daily time frames	6 daily time frames	6 daily time frames
stainless steel	stainless steel	stainless steel	stainless steel
yes	yes	yes	yes
yes	yes	yes	yes
continuous air flow	continuous air flow	continuous air flow	continuous air flow
standard	standard	standard	standard
standard	standard	standard	standard
standard	standard	standard	standard
-	-	-	-
-	-	-	-
wall - flush / corner	wall - flush / corner	wall - flush / corner	wall - flush / corner

Data obtained under laboratory conditions using pellets with heat production rated at greater than or equal to 4.9 kWh/kg. Consumption varies according to the dimensions and type of pellets used.

**Data charts**


Technical data	Units	P920 M	P920 M TOP
<b>Version</b>		<b>Version with rear flue outlet</b>	<b>Version with top flue outlet</b>
<b>Forced ventilation</b>		yes	yes
<b>Ductable</b>		yes	yes
<b>Natural convection</b>		yes	yes
<b>Hermetic</b>		yes	yes
<b>Oven</b>		-	-
Model		P920 M	P920 M TOP
Type		SP400-04	SP400-03
Energy efficiency class		A+	A+
Room heating capacity *	m <sup>3</sup>	145 - 245	145 - 245
Nominal heat output (min - max)	kW	3,3 - 8,5	3,4 - 8,5
Thermal efficiency (min - max)	%	89,0 - 90,3	89,8 - 91,3
Nominal consumption (min - max)	kg/h	0,7 - 1,9	0,7 - 1,9
Standard flue outlet Ø	cm	8	8
Hopper capacity	kg	18	14
Dimensions W x D x H	cm	51 x 55 x 115,6	51 x 55 x 115,6
Weight	kg	147	150
Oven W x D x H		-	-
<b>Heating</b>		<b>Multifuoco System® with 3 speed levels, manually or automatically controlled. Ductable hot air</b>	<b>Multifuoco System® with 3 speed levels, manually or automatically controlled. Ductable hot air</b>
Dual Power System		-	-
Front ventilation		directional air vent	directional air vent
Side ventilation		fixed outlet, optional	fixed outlet, optional
Natural Mode		yes	yes
Eco / Energy Saving function		yes / yes	yes / yes
Cladding / Top surface		majolica / steel - cast iron	majolica / steel - cast iron
Rolling Top		-	-
Stove		airtight, steel	airtight, steel
Firebox		cast iron	cast iron
Smoke baffle plate / Brazier		cast iron / cast iron	cast iron / cast iron
Door / Handle		Cast iron with ceramic glass resistant upto 750°C / cool handle	Cast iron with ceramic glass resistant upto 750°C / cool handle
Removable ash drawer		-	-
Ash tray		-	-
Oven		-	-
Standard flue outlet position		rear	top
Optional flue outlet		-	Top balanced flue
LCD remote control		optional	optional
Display with digital controls		yes	yes
Power level		4	4
Ambient probe for temperature control		standard	standard
Programmable timer-thermostat		6 daily time frames	6 daily time frames
Humidifier		stainless steel	stainless steel
Pellet level sensor		yes	yes
Brazier cleaning intervals		yes	yes
Glass cleaning system		continuous air flow	continuous air flow
WiFi module- Bluetooth for App MyPIAZZETTA		standard	standard
Combustion air kit		standard	standard
Ash vacuum cleaner		standard	standard
Optional remote control		-	-
Optional side air vents		-	-
Optional directional front air vents		-	-
Installation		wall - flush / corner	wall - flush / corner

\* Calculated on the basis of nominal heat output, referring to rooms with a heating requirement between 0.060 and 0.035 kW per m<sup>3</sup>. We recommend always contacting a heating engineer for the final calculations.

# PELLET-BURNING STOVES Premium LINE

## Data charts



P920 M STEEL	P920 M TOP STEEL	P920 T	P920 T TOP	P920 T STEEL
Version with rear flue outlet	Version with top flue outlet	Version with rear flue outlet	Version with top flue outlet	Version with rear flue outlet
yes	yes	yes	yes	yes
yes	yes	yes	yes	yes
yes	yes	yes	yes	yes
yes	yes	yes	yes	yes
-	-	-	-	-
P920 M STEEL	P920 M TOP STEEL	P920 T	P920 T TOP	P920 T STEEL
SP400-04	SP400-03	SP400-04	SP400-03	SP400-04
A+	A+	A+	A+	A+
145 - 245	145 - 245	145 - 245	145 - 245	145 - 245
3,3 - 8,5	3,4 - 8,5	3,3 - 8,5	3,4 - 8,5	3,3 - 8,5
89,0 - 90,3	89,8 - 91,3	89,0 - 90,3	89,8 - 91,3	89,0 - 90,3
0,7 - 1,9	0,7 - 1,9	0,7 - 1,9	0,7 - 1,9	0,7 - 1,9
8	8	8	8	8
18	14	18	14	18
51 x 55 x 115,6	51 x 55 x 115,6	55,8 x 57,6 x 115,6	55,8 x 57,6 x 115,6	55,8 x 57,6 x 115,6
147	150	153	158	153
Multifuoco System® with 3 speed levels, manually or automatically controlled. Ductable hot air	Multifuoco System® with 3 speed levels, manually or automatically controlled. Ductable hot air	Multifuoco System® with 3 speed levels, manually or automatically controlled. Ductable hot air	Multifuoco System® with 3 speed levels, manually or automatically controlled. Ductable hot air	Multifuoco System® with 3 speed levels, manually or automatically controlled. Ductable hot air
-	-	-	-	-
directional air vent	directional air vent	directional air vent	directional air vent	directional air vent
fixed outlet, optional	fixed outlet, optional	fixed outlet, optional	fixed outlet, optional	fixed outlet, optional
yes	yes	yes	yes	yes
yes / yes	yes / yes	yes / yes	yes / yes	yes / yes
steel / steel - cast iron	steel / steel - cast iron	majolica / steel - cast iron	majolica / steel - cast iron	steel / steel - cast iron
-	-	-	-	-
airtight, steel	airtight, steel	airtight, steel	airtight, steel	airtight, steel
cast iron	cast iron	cast iron	cast iron	cast iron
cast iron / cast iron	cast iron / cast iron	cast iron / cast iron	cast iron / cast iron	cast iron / cast iron
Cast iron with ceramic glass resistant upto 750°C / cool handle	Cast iron with ceramic glass resistant upto 750°C / cool handle	Cast iron with ceramic glass resistant upto 750°C / cool handle	Cast iron with ceramic glass resistant upto 750°C / cool handle	Cast iron with ceramic glass resistant upto 750°C / cool handle
-	-	-	-	-
-	-	-	-	-
rear	top	rear	top	rear
-	Top balanced flue	-	Top balanced flue	-
optional	optional	optional	optional	optional
yes	yes	yes	yes	yes
4	4	4	4	4
standard	standard	standard	standard	standard
6 daily time frames	6 daily time frames	6 daily time frames	6 daily time frames	6 daily time frames
stainless steel	stainless steel	stainless steel	stainless steel	stainless steel
yes	yes	yes	yes	yes
yes	yes	yes	yes	yes
continuous air flow	continuous air flow	continuous air flow	continuous air flow	continuous air flow
standard	standard	standard	standard	standard
standard	standard	standard	standard	standard
standard	standard	standard	standard	standard
-	-	-	-	-
-	-	-	-	-
wall - flush / corner	wall - flush / corner	wall - flush / corner	wall - flush / corner	wall - flush / corner

Data obtained under laboratory conditions using pellets with heat production rated at greater than or equal to 4.9 kWh/kg. Consumption varies according to the dimensions and type of pellets used.

## Data charts



Technical data	Units	P920 T TOP STEEL	P921 R	P921 T TOP Frontal Glass
Version		Version with top flue outlet	-	Version with top flue outlet
Forced ventilation		yes	yes	yes
Ductable		yes	yes	yes
Natural convection		yes	yes	yes
Hermetic		yes	yes	yes
Oven		-	-	-
Model		P920 T TOP STEEL	P921 R	P921 T TOP FG
Type		SP400-03	SP400-10	SP450-17A
Energy efficiency class		A+	A+	A+
Room heating capacity *	m <sup>3</sup>	145 - 245	145 - 245	145 - 245
Nominal heat output (min - max)	kW	3,4 - 8,5	3,3 - 8,5	3,4 - 8,5
Thermal efficiency (min - max)	%	89,8 - 91,3	91,2 - 91,2	92 - 93
Nominal consumption (min - max)	kg/h	0,7 - 1,9	0,75 - 1,95	0,77 - 1,89
Standard flue outlet Ø	cm	8	8	8
Hopper capacity	kg	14	19,5	15,5
Dimensions W x D x H	cm	55,8 x 57,6 x 115,6	50,4 x 52,3 x 112,5	55 x 55 x 116
Weight	kg	158	165	160
Oven W x D x H		-	-	-
Heating		Multifuoco System® with 3 speed levels, manually or automatically controlled. Ductable hot air	Multifuoco System® with 3 speed levels, manually or automatically controlled. Ductable hot air	Multifuoco System with lower front warm air outlet, ductable / Sweet Air Mode, upper front ventilation system
Dual Power System		-	-	-
Front ventilation		directional air vent	directional air vent	-
Side ventilation		fixed outlet, optional	-	-
Natural Mode		yes	yes	all fans turned off
Eco / Energy Saving function		yes / yes	yes / yes	yes / yes
Cladding / Top surface		steel / steel - cast iron	majolica / majolica and steel	majolica / steel
Rolling Top		-	-	-
Stove		airtight, steel	airtight, steel	airtight, steel
Firebox		cast iron	cast iron	Aluker®
Smoke baffle plate / Brazier		cast iron / cast iron	cast iron / cast iron	cast iron / cast iron
Door / Handle		Cast iron with ceramic glass resistant upto 750°C / cool handle	cast iron with self-cleaning ceramic glass resistant up to 750°C / steel with Nero finish	Cast iron with ceramic glass resistant upto 750°C / cool handle
Removable ash drawer		-	-	yes
Ash tray		-	-	-
Oven		-	-	-
Standard flue outlet position		top	-	top
Optional flue outlet		Top balanced flue	-	-
LCD remote control		optional	optional	standard
Display with digital controls		yes	yes	yes
Power level		4	4	5
Ambient probe for temperature control		standard	standard	standard
Programmable timer-thermostat		6 daily time frames	6 daily time frames	6 daily time frames
Humidifier		stainless steel	stainless steel	stainless steel
Pellet level sensor		yes	yes	yes
Brazier cleaning intervals		yes	yes	yes
Glass cleaning system		continuous air flow	continuous air flow	continuous air flow
WiFi module- Bluetooth for App MyPIAZZETTA		standard	standard	standard
Combustion air kit		standard	standard	-
Ash vacuum cleaner		standard	standard	standard
Optional remote control		-	-	-
Optional side air vents		-	-	-
Optional directional front air vents		-	-	-
Installation		wall - flush / corner	wall - flush / corner	wall - corner

\* Calculated on the basis of nominal heat output, referring to rooms with a heating requirement between 0.060 and 0.035 kW per m<sup>3</sup>. We recommend always contacting a heating engineer for the final calculations.

# PELLET-BURNING STOVES Premium LINE

## Data charts



P921 T TOP STEEL Frontal Glass	P925 Frontal Glass	P930 C	P930 C TOP	P930 K
-	-	Rear flue outlet	Version with top flue outlet	Rear flue outlet
yes	yes	yes	yes	yes
yes	yes	yes	yes	yes
yes	yes	yes	yes	yes
yes	yes	yes	yes	yes
-	-	-	-	-
P921 T TOP FG ST	P925 FG	P930 C	P930 C TOP	P930 K
SP450-17A	SP124-04	SP410-10	SP410-03	SP410-10
A+	A+	A+	A+	A+
145 - 245	145 - 245	185 - 315	185 - 315	185 - 315
3,4 - 8,5	4,0 - 8,5	3,8 - 11,0	4,1 - 11,0	3,8 - 11,0
92 - 93	87,5 - 87,5	90,2 - 91,5	91,5 - 91,8	90,2 - 91,5
0,77 - 1,89	0,9 - 2,0	0,88 - 2,51	0,9 - 2,4	0,88 - 2,51
8	8	8	8	8
15,5	17	26	21	26
54,4 x 54,8 x 123,5	91 x 30 x 114	55 x 57,5 x 126	55 x 57,5 x 126	60,2 x 61,5 x 126
105	165	190	195	187
Multifuoco System with lower front warm air outlet, ductable / Sweet Air Mode, upper front ventilation system	Multifuoco System® with 3 speed levels, manually or automatically controlled. Ductable hot air	Multifuoco System® with 4 speed levels, manually or automatically controlled. Ductable hot air	Multifuoco System® with 4 speed levels, manually or automatically controlled. Ductable hot air	Multifuoco System® with 4 speed levels, manually or automatically controlled. Ductable hot air
-	-	4 speed levels, manually or automatically controlled	4 speed levels, manually or automatically controlled	4 speed levels, manually or automatically controlled
-	directional air vent	directional air vent	directional air vent	directional air vent
-	fixed outlet, optional	fixed outlet, optional	fixed outlet, optional	fixed outlet, optional
all fans turned off	yes	yes	yes	yes
yes / yes	yes / yes	yes / yes	yes / yes	yes / yes
steel / steel	majolica - steel / majolica - steel	majolica / steel - cast iron	majolica / steel - cast iron	majolica / steel - cast iron
-	top that slides	-	-	-
airtight, steel	airtight, steel	airtight, steel	airtight, steel	airtight, steel
Aluker®	steel - cast iron	cast iron	cast iron	cast iron
cast iron / cast iron	cast iron / cast iron	cast iron / cast iron	cast iron / cast iron	cast iron / cast iron
Cast iron with ceramic glass resistant upto 750°C / cool handle	-	Cast iron with ceramic glass resistant upto 750°C / cool handle	Cast iron with ceramic glass resistant upto 750°C / cool handle	Cast iron with ceramic glass resistant upto 750°C / cool handle
yes	-	-	-	-
-	-	-	-	-
-	-	-	-	-
top	-	rear	top	rear
-	top central - Top balanced flue	-	Top balanced flue	-
standard	optional	optional	optional	optional
yes	yes	yes	yes	yes
5	4	5	5	5
standard	standard	standard	standard	standard
6 daily time frames	6 daily time frames	6 daily time frames	6 daily time frames	6 daily time frames
stainless steel	stainless steel	stainless steel	stainless steel	stainless steel
yes	yes	yes	yes	yes
yes	yes	yes	yes	yes
continuous air flow	continuous air flow	continuous air flow	continuous air flow	continuous air flow
standard	standard	standard	standard	standard
-	-	standard	standard	standard
standard	standard	standard	standard	standard
-	-	-	-	-
-	RH and LH	-	-	-
-	-	-	-	-
wall - corner	wall - flush	wall - flush / corner	wall - flush / corner	wall - flush / corner

Data obtained under laboratory conditions using pellets with heat production rated at greater than or equal to 4.9 kWh/kg. Consumption varies according to the dimensions and type of pellets used.

# PELLET-BURNING STOVES Premium LINE

## Data charts



Technical data	Units	P930 K TOP	P930 M
Version		Version with top flue outlet	
Forced ventilation		yes	yes
Ductable		yes	yes
Natural convection		yes	yes
Hermetic		yes	yes
Oven		-	-
Model		P930 K TOP	P930 M
Type		SP410-03	SP410-10
Energy efficiency class		A+	A+
Room heating capacity *	m <sup>3</sup>	185 - 315	185 - 315
Nominal heat output (min - max)	kW	4,1 - 11,0	3,8 - 11,0
Thermal efficiency (min - max)	%	91,5 - 91,8	90,2 - 91,5
Nominal consumption (min - max)	kg/h	0,9 - 2,4	0,88 - 2,51
Standard flue outlet Ø	cm	8	8
Hopper capacity	kg	21	26
Dimensions W x D x H	cm	60,2 x 61,5 x 126	55 x 57,5 x 126
Weight	kg	192	190
Oven W x D x H		-	-
Heating		Multifuoco System® with 4 speed levels, manually or automatically controlled. Ductable hot air	Multifuoco System® with 4 speed levels, manually or automatically controlled. Ductable hot air
Dual Power System		4 speed levels, manually or automatically controlled	4 speed levels, manually or automatically controlled
Front ventilation		directional air vent	directional air vent
Side ventilation		fixed outlet, optional	fixed outlet, optional
Natural Mode		yes	yes
Eco / Energy Saving function		yes / yes	yes / yes
Cladding / Top surface		majolica / steel - cast iron	majolica / steel - cast iron
Rolling Top		-	-
Stove		airtight, steel	airtight, steel
Firebox		cast iron	cast iron
Smoke baffle plate / Brazier		cast iron / cast iron	cast iron / cast iron
Door / Handle		Cast iron with ceramic glass resistant upto 750°C / cool handle	Cast iron with ceramic glass resistant upto 750°C / cool handle
Removable ash drawer		-	-
Ash tray		-	-
Oven		-	-
Standard flue outlet position		top	rear
Optional flue outlet		Top balanced flue	-
LCD remote control		optional	optional
Display with digital controls		yes	yes
Power level		5	5
Ambient probe for temperature control		standard	standard
Programmable timer-thermostat		6 daily time frames	6 daily time frames
Humidifier		stainless steel	stainless steel
Pellet level sensor		yes	yes
Brazier cleaning intervals		yes	yes
Glass cleaning system		continuous air flow	continuous air flow
WiFi module- Bluetooth for App MyPIAZZETTA		standard	standard
Combustion air kit		standard	standard
Ash vacuum cleaner		standard	standard
Optional remote control		-	-
Optional side air vents		-	-
Optional directional front air vents		-	-
Installation		wall - flush / corner	wall - flush / corner

\* Calculated on the basis of nominal heat output, referring to rooms with a heating requirement between 0.060 and 0.035 kW per m<sup>3</sup>. We recommend always contacting a heating engineer for the final calculations.

# PELLET-BURNING STOVES Premium LINE

## Data charts

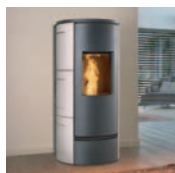


P930 M TOP	P930 M STEEL	P930 M TOP STEEL	P930 T	P930 T	P930 T TOP
Version with top flue outlet	-	Version with top flue outlet	-	Version with rear flue outlet	Version with top flue outlet
yes	yes	yes	yes	yes	yes
yes	yes	yes	yes	yes	yes
yes	yes	yes	yes	yes	yes
yes	yes	yes	yes	yes	yes
-	-	-	-	-	-
P930 M TOP	P930 M STEEL	P930 M TOP STEEL	P930 T	P930 T	P930 T TOP
SP410-03	SP410-10	SP410-03	SP410-10	SP410-04	SP410-03
A+	A+	A+	A+	A+	A+
185 - 315	185 - 315	185 - 315	185 - 315	185 - 315	185 - 315
4,1 - 11,0	3,8 - 11,0	4,1 - 11,0	3,8 - 11,0	3,9 - 11,0	4,1 - 11,0
91,5 - 91,8	90,2 - 91,5	91,5 - 91,8	90,2 - 91,5	90,0 - 90,7	91,5 - 91,8
0,9 - 2,4	0,88 - 2,51	0,9 - 2,4	0,88 - 2,51	0,8 - 2,4	0,9 - 2,4
8	8	8	8	8	8
21	26	21	26	26	21
55 x 57,5 x 126	55 x 57,5 x 126	55 x 57,5 x 126	60,2 x 61,5 x 126	60,2 x 61,5 x 126	60,2 x 61,5 x 126
195	190	195	187	187	192
Multifuoco System® with 4 speed levels, manually or automatically controlled.	Multifuoco System® with 4 speed levels, manually or automatically controlled.	Multifuoco System® with 4 speed levels, manually or automatically controlled.	Multifuoco System® with 4 speed levels, manually or automatically controlled.	Multifuoco System® with 4 speed levels, manually or automatically controlled.	Multifuoco System® with 4 speed levels, manually or automatically controlled.
Ductable hot air	Ductable hot air	Ductable hot air	Ductable hot air	Ductable hot air	Ductable hot air
4 speed levels, manually or automatically controlled	4 speed levels, manually or automatically controlled	4 speed levels, manually or automatically controlled	4 speed levels, manually or automatically controlled	4 speed levels, manually or automatically controlled	4 speed levels, manually or automatically controlled
directional air vent	directional air vent	directional air vent	directional air vent	directional air vent	directional air vent
fixed outlet, optional	fixed outlet, optional	fixed outlet, optional	fixed outlet, optional	fixed outlet, optional	fixed outlet, optional
yes	yes	yes	yes	yes	yes
yes / yes	yes / yes	yes / yes	yes / yes	yes / yes	yes / yes
majolica / steel - cast iron	steel / steel - cast iron	steel / steel - cast iron	majolica / steel - cast iron	majolica / steel - cast iron	majolica / steel - cast iron
-	-	-	-	-	-
airtight, steel	airtight, steel	airtight, steel	airtight, steel	airtight, steel	airtight, steel
cast iron	cast iron	cast iron	cast iron	cast iron	cast iron
cast iron / cast iron	cast iron / cast iron	cast iron / cast iron	cast iron / cast iron	cast iron / cast iron	cast iron / cast iron
Cast iron with ceramic glass resistant upto 750°C / cool handle	Cast iron with ceramic glass resistant upto 750°C / cool handle	Cast iron with ceramic glass resistant upto 750°C / cool handle	Cast iron with ceramic glass resistant upto 750°C / cool handle	Cast iron with ceramic glass resistant upto 750°C / cool handle	Cast iron with ceramic glass resistant upto 750°C / cool handle
-	-	-	-	-	-
-	-	-	-	-	-
top	rear	top	rear	rear	top
Top balanced flue	-	Top balanced flue	-	-	Top balanced flue
optional	optional	optional	optional	optional	optional
yes	yes	yes	yes	yes	yes
5	5	5	5	5	5
standard	standard	standard	standard	standard	standard
6 daily time frames	6 daily time frames	6 daily time frames	6 daily time frames	6 daily time frames	6 daily time frames
stainless steel	stainless steel	stainless steel	stainless steel	stainless steel	stainless steel
yes	yes	yes	yes	yes	yes
yes	yes	yes	yes	yes	yes
continuous air flow	continuous air flow	continuous air flow	continuous air flow	continuous air flow	continuous air flow
standard	standard	standard	standard	standard	standard
standard	standard	standard	standard	standard	standard
standard	standard	standard	standard	standard	standard
-	-	-	-	-	-
-	-	-	-	-	-
wall - flush / corner	wall - flush / corner	wall - flush / corner	wall - flush / corner	wall - flush / corner	wall - flush / corner

Data obtained under laboratory conditions using pellets with heat production rated at greater than or equal to 4.9 kWh/kg. Consumption varies according to the dimensions and type of pellets used.



## Data charts



Technical data	Units	P930 K	P930 K TOP	P930 M
<b>Version</b>		Version with rear flue outlet	Version with top flue outlet	Version with rear flue outlet
<b>Forced ventilation</b>		yes	yes	yes
<b>Ductable</b>		yes	yes	yes
<b>Natural convection</b>		yes	yes	yes
<b>Hermetic</b>		yes	yes	yes
<b>Oven</b>		-	-	-
Model		P930 K	P930 K TOP	P930 M
Type		SP410-04	SP410-03	SP410-04
Energy efficiency class		A+	A+	A+
Room heating capacity *	m <sup>3</sup>	185 - 315	185 - 315	185 - 315
Nominal heat output (min - max)	kW	3,9 - 11,0	4,1 - 11,0	3,9 - 11,0
Thermal efficiency (min - max)	%	90,0 - 90,7	91,5 - 91,8	90,0 - 90,7
Nominal consumption (min - max)	kg/h	0,8 - 2,4	0,9 - 2,4	0,8 - 2,4
Standard flue outlet Ø	cm	8	8	8
Hopper capacity	kg	26	21	26
Dimensions W x D x H	cm	60,2 x 61,5 x 126	60,2 x 61,5 x 126	55 x 57,5 x 126
Weight	kg	187	192	190
Oven W x D x H		-	-	-
<b>Heating</b>		Multifuoco System® with 4 speed levels, manually or automatically controlled. Ductable hot air	Multifuoco System® with 4 speed levels, manually or automatically controlled. Ductable hot air	Multifuoco System® with 4 speed levels, manually or automatically controlled. Ductable hot air
Dual Power System		4 speed levels, manually or automatically controlled	4 speed levels, manually or automatically controlled	4 speed levels, manually or automatically controlled
Front ventilation		directional air vent	directional air vent	directional air vent
Side ventilation		fixed outlet, optional	fixed outlet, optional	fixed outlet, optional
Natural Mode		yes	yes	yes
Eco / Energy Saving function		yes / yes	yes / yes	yes / yes
Cladding / Top surface		majolica / steel - cast iron	majolica / steel - cast iron	majolica / steel - cast iron
Rolling Top		-	-	-
Stove		airtight, steel	airtight, steel	airtight, steel
Firebox		cast iron	cast iron	cast iron
Smoke baffle plate / Brazier		cast iron / cast iron	cast iron / cast iron	cast iron / cast iron
Door / Handle		Cast iron with ceramic glass resistant upto 750°C / cool handle	Cast iron with ceramic glass resistant upto 750°C / cool handle	Cast iron with ceramic glass resistant upto 750°C / cool handle
Removable ash drawer		-	-	-
Ash tray		-	-	-
Oven		-	-	-
Standard flue outlet position		rear	top	rear
Optional flue outlet		-	Top balanced flue	-
LCD remote control		optional	optional	optional
Display with digital controls		yes	yes	yes
Power level		5	5	5
Ambient probe for temperature control		standard	standard	standard
Programmable timer-thermostat		6 daily time frames	6 daily time frames	6 daily time frames
Humidifier		stainless steel	stainless steel	stainless steel
Pellet level sensor		yes	yes	yes
Brazier cleaning intervals		yes	yes	yes
Glass cleaning system		continuous air flow	continuous air flow	continuous air flow
WiFi module- Bluetooth for App MyPIAZZETTA		standard	standard	standard
Combustion air kit		standard	standard	standard
Ash vacuum cleaner		standard	standard	standard
Optional remote control		-	-	-
Optional side air vents		-	-	-
Optional directional front air vents		-	-	-
Installation		wall - flush / corner	wall - flush / corner	wall - flush / corner

\* Calculated on the basis of nominal heat output, referring to rooms with a heating requirement between 0.060 and 0.035 kW per m<sup>3</sup>. We recommend always contacting a heating engineer for the final calculations.

# PELLET-BURNING STOVES Premium LINE

## Data charts



P930 M TOP	P930 M STEEL	P930 M TOP STEEL	P930 T	P930 T TOP
Version with top flue outlet	Version with rear flue outlet	Version with top flue outlet	Version with rear flue outlet	Version with top flue outlet
yes	yes	yes	yes	yes
yes	yes	yes	yes	yes
yes	yes	yes	yes	yes
yes	yes	yes	yes	yes
-	-	-	-	-
P930 M TOP	P930 M STEEL	P930 M TOP STEEL	P930 T	P930 T TOP
SP410-03	SP410-04	SP410-03	SP410-04	SP410-03
A+	A+	A+	A+	A+
185 - 315	185 - 315	185 - 315	185 - 315	185 - 315
4,1 - 11,0	3,9 - 11,0	4,1 - 11,0	3,9 - 11,0	4,1 - 11,0
91,5 - 91,8	90,0 - 90,7	91,5 - 91,8	90,0 - 90,7	91,5 - 91,8
0,9 - 2,4	0,8 - 2,4	0,9 - 2,4	0,8 - 2,4	0,9 - 2,4
8	8	8	8	8
21	26	21	26	21
55 x 57,5 x 126	55 x 57,5 x 126	55 x 57,5 x 126	60,2 x 61,5 x 126	60,2 x 61,5 x 126
195	190	195	187	192
Multifuoco System® with 4 speed levels, manually or automatically controlled.	Multifuoco System® with 4 speed levels, manually or automatically controlled.	Multifuoco System® with 4 speed levels, manually or automatically controlled.	Multifuoco System® with 4 speed levels, manually or automatically controlled.	Multifuoco System® with 4 speed levels, manually or automatically controlled.
Ductable hot air	Ductable hot air	Ductable hot air	Ductable hot air	Ductable hot air
4 speed levels, manually or automatically controlled	4 speed levels, manually or automatically controlled	4 speed levels, manually or automatically controlled	4 speed levels, manually or automatically controlled	4 speed levels, manually or automatically controlled
directional air vent	directional air vent	directional air vent	directional air vent	directional air vent
fixed outlet, optional	fixed outlet, optional	fixed outlet, optional	fixed outlet, optional	fixed outlet, optional
yes	yes	yes	yes	yes
yes / yes	yes / yes	yes / yes	yes / yes	yes / yes
majolica / steel - cast iron	steel / steel - cast iron	steel / steel - cast iron	majolica / steel - cast iron	majolica / steel - cast iron
-	-	-	-	-
airtight, steel	airtight, steel	airtight, steel	airtight, steel	airtight, steel
cast iron	cast iron	cast iron	cast iron	cast iron
cast iron / cast iron	cast iron / cast iron	cast iron / cast iron	cast iron / cast iron	cast iron / cast iron
Cast iron with ceramic glass resistant upto 750°C / cool handle	Cast iron with ceramic glass resistant upto 750°C / cool handle	Cast iron with ceramic glass resistant upto 750°C / cool handle	Cast iron with ceramic glass resistant upto 750°C / cool handle	Cast iron with ceramic glass resistant upto 750°C / cool handle
-	-	-	-	-
-	-	-	-	-
top	rear	top	rear	top
Top balanced flue	-	Top balanced flue	-	Top balanced flue
optional	optional	optional	optional	optional
yes	yes	yes	yes	yes
5	5	5	5	5
standard	standard	standard	standard	standard
6 daily time frames	6 daily time frames	6 daily time frames	6 daily time frames	6 daily time frames
stainless steel	stainless steel	stainless steel	stainless steel	stainless steel
yes	yes	yes	yes	yes
yes	yes	yes	yes	yes
continuous air flow	continuous air flow	continuous air flow	continuous air flow	continuous air flow
standard	standard	standard	standard	standard
standard	standard	standard	standard	standard
standard	standard	standard	standard	standard
-	-	-	-	-
-	-	-	-	-
wall - flush / corner	wall - flush / corner	wall - flush / corner	wall - flush / corner	wall - flush / corner

Data obtained under laboratory conditions using pellets with heat production rated at greater than or equal to 4.9 kWh/kg. Consumption varies according to the dimensions and type of pellets used.

## Data charts



Technical data	Units	P930 T STEEL	P930 T TOP STEEL	P931 R
Version		Version with rear flue outlet	Version with top flue outlet	Version with rear flue outlet
Forced ventilation		yes	yes	yes
Ductable		yes	yes	yes
Natural convection		yes	yes	yes
Hermetic		yes	yes	yes
Oven		-	-	-
Model		P930 T STEEL	P930 T TOP STEEL	P931 R
Type		SP410-04	SP410-03	SP410-10
Energy efficiency class		A+	A+	A+
Room heating capacity *	m <sup>3</sup>	185 - 315	185 - 315	185 - 315
Nominal heat output (min - max)	kW	3,9 - 11,0	4,1 - 11,0	3,8 - 11,0
Thermal efficiency (min - max)	%	90,0 - 90,7	91,5 - 91,8	90,2 - 91,5
Nominal consumption (min - max)	kg/h	0,8 - 2,4	0,9 - 2,4	0,88 - 2,51
Standard flue outlet Ø	cm	8	8	8
Hopper capacity	kg	26	21	27,5
Dimensions W x D x H	cm	60,2 x 61,5 x 126	60,2 x 61,5 x 126	60,6 x 56,9 x 126,5
Weight	kg	187	192	195
Oven W x D x H		-	-	-
Heating		Multifuoco System® with 4 speed levels, manually or automatically controlled. Ductable hot air	Multifuoco System® with 4 speed levels, manually or automatically controlled. Ductable hot air	Multifuoco System® with 4 speed levels, manually or automatically controlled. Ductable hot air
Dual Power System		4 speed levels, manually or automatically controlled	4 speed levels, manually or automatically controlled	4 speed levels, manually or automatically controlled
Front ventilation		directional air vent	directional air vent	directional air vent
Side ventilation		fixed outlet, optional	fixed outlet, optional	-
Natural Mode		yes	yes	yes
Eco / Energy Saving function		yes / yes	yes / yes	yes / yes
Cladding / Top surface		steel / steel - cast iron	steel / steel - cast iron	majolica / majolica and steel
Rolling Top		-	-	-
Stove		airtight, steel	airtight, steel	airtight, steel
Firebox		cast iron	cast iron	cast iron
Smoke baffle plate / Brazier		cast iron / cast iron	cast iron / cast iron	cast iron / cast iron
Door / Handle		Cast iron with ceramic glass resistant upto 750°C / cool handle	Cast iron with ceramic glass resistant upto 750°C / cool handle	cast iron with self-cleaning ceramic glass resistant up to 750°C / steel with Nero finish
Removable ash drawer		-	-	-
Ash tray		-	-	-
Oven		-	-	-
Standard flue outlet position		rear	top	-
Optional flue outlet		-	Top balanced flue	-
LCD remote control		optional	optional	optional
Display with digital controls		yes	yes	yes
Power level		5	5	5
Ambient probe for temperature control		standard	standard	standard
Programmable timer-thermostat		6 daily time frames	6 daily time frames	6 daily time frames
Humidifier		stainless steel	stainless steel	stainless steel
Pellet level sensor		yes	yes	yes
Brazier cleaning intervals		yes	yes	yes
Glass cleaning system		continuous air flow	continuous air flow	continuous air flow
WiFi module- Bluetooth for App MyPIAZZETTA		standard	standard	standard
Combustion air kit		standard	standard	standard
Ash vacuum cleaner		standard	standard	standard
Optional remote control		-	-	-
Optional side air vents		-	-	-
Optional directional front air vents		-	-	-
Installation		wall - flush / corner	wall - flush / corner	wall - flush / corner

\* Calculated on the basis of nominal heat output, referring to rooms with a heating requirement between 0.060 and 0.035 kW per m<sup>3</sup>. We recommend always contacting a heating engineer for the final calculations.

Data obtained under laboratory conditions using pellets with heat production rated at greater than or equal to 4.9 kWh/kg. Consumption varies according to the dimensions and type of pellets used.

# PELLET-BURNING STOVES Premium LINE

## Data charts



Technical data	Units	LINE	P934	P939	P945 C	P945 TOP STEEL
Forced ventilation		yes	yes	yes	yes	yes
Ductable		yes	yes	yes	yes	-
Natural convection		-	yes	yes	yes	yes
Hermetic		-	-	-	yes	yes
Oven		-	-	-	-	-
Model		LINE	P934	P939	P945 C	P945 TOP STEEL
Type		SP360-01	SL32-03	SP356-01	SP360-01	SP360-01
Energy efficiency class		A+	A+	A+	A+	A+ (G A++)
Room heating capacity *	m <sup>3</sup>	150 - 260	145 - 245	175 - 300	150 - 260	150 - 260
Nominal heat output (min - max)	kW	4,0 - 9,0	4,0 - 8,5	4,1 - 10,5	4,0 - 9,0	4,0 - 9,0
Thermal efficiency (min - max)	%	88,9 - 90,3	87,5 - 87,5	88,5 - 90,3	88,9 - 90,3	88,9 - 90,3
Nominal consumption (min - max)	kg/h	0,9 - 2,0	0,9 - 2,0	0,9 - 2,4	0,9 - 2,0	0,9 - 2,0
Standard flue outlet Ø	cm	8	8	8	8	8
Hopper capacity	kg	16	20	25	16	15,5
Dimensions W x D x H	cm	82,1 x 52,8 x 95,5	90 x 30 x 111,4	105 x 32 x 126,4	75,7 x 52,7 x 86,6	72 x 51,6 x 80,2
Weight	kg	158	150	210	149	135
Oven W x D x H		-	-	-	-	-
Heating		Multifuoco System® with 3 speed levels, manually or automatically controlled. Ductable hot air	Multifuoco System® with 3 speed levels, manually or automatically controlled. Ductable hot air	Multifuoco System® with 4 speed levels, manually or automatically controlled. Ductable hot air	Multifuoco System® with 3 speed levels, manually or automatically controlled. Ductable hot air	Multifuoco System® with 3 speed levels, manually or automatically controlled. Ductable hot air
Dual Power System		-	-	4 speed levels, manually or automatically controlled	-	-
Front ventilation		fixed outlet	directional air vent	directional air vent	directional air vent	fixed outlet
Side ventilation		-	fixed outlet, optional	fixed outlet, optional	-	-
Natural Mode		yes	yes	yes	yes	yes
Eco / Energy Saving function		yes / yes	yes / yes	yes / yes	yes / yes	yes / yes
Cladding / Top surface		majolica / majolica and steel	majolica / majolica	majolica / majolica	majolica / majolica and steel	steel / steel
Rolling Top		-	top that slides	top that slides	-	-
Stove		airtight, steel	steel	steel	airtight, steel	airtight, steel
Firebox		cast iron	cast iron	cast iron	steel - cast iron	steel - cast iron
Smoke baffle plate / Brazier		cast iron / cast iron cast iron with self-cleaning ceramic glass resistant up to 750°C / painted steel, detachable	cast iron / cast iron	cast iron / cast iron	cast iron / cast iron cast iron with self-cleaning ceramic glass resistant up to 750°C / painted steel, detachable	cast iron / cast iron cast iron with self-cleaning ceramic glass resistant up to 750°C / painted steel, detachable
Door / Handle		-	cast iron / painted steel	cast iron / steel	-	-
Removable ash drawer		-	yes	yes	-	-
Ash tray		-	-	-	-	-
Oven		-	-	-	-	-
Standard flue outlet position		rear / top right	RH rear - RH side - RH top	RH rear - RH side	rear / top right	top - top coaxial
Optional flue outlet		Top balanced flue	-	top right	Top balanced flue	-
LCD remote control		optional	yes	yes	optional	optional
Display with digital controls		yes	yes	yes	-	yes
Power level		4	4	5	4	4
Ambient probe for temperature control		standard	standard	standard	standard	standard
Programmable timer-thermostat		6 daily time frames	6 daily time frames	6 daily time frames	6 daily time frames	6 daily time frames
Humidifier		stainless steel	stainless steel	stainless steel	stainless steel	stainless steel
Pellet level sensor		yes	yes	yes	yes	yes
Brazier cleaning intervals		yes	yes	yes	yes	yes
Glass cleaning system		continuous air flow	continuous air flow	continuous air flow	continuous air flow	continuous air flow
WiFi module- Bluetooth for App MyPIAZZETTA		standard	optional	optional	standard	standard
Ash vacuum cleaner		standard	optional	optional	standard	standard
Optional remote control		-	-	-	-	-
Optional side air vents		-	RH and LH	RH and LH	-	-
Optional directional front air vents		-	-	-	-	-
Installation		wall - corner wall-flush	wall - corner wall-flush	wall - corner wall-flush	wall - corner wall-flush	wall - corner wall-flush

\* Calculated on the basis of nominal heat output, referring to rooms with a heating requirement between 0.060 and 0.035 kW per m<sup>3</sup>. We recommend always contacting a heating engineer for the final calculations.

Data obtained under laboratory conditions using pellets with heat production rated at greater than or equal to 4.9 kWh/kg. Consumption varies according to the dimensions and type of pellets used.

**P910 T Frontal Glass**



**GENERAL CHARACTERISTICS**

- Heating: Multifuoco System with lower front warm air outlet, ductable / Sweet Air Mode, upper front ventilation system
- Lower front ventilation: fixed air vent
- Upper front ventilation: fixed slit
- Natural Mode: all fans turned off
- Eco / Energy saving function: yes / yes
- Cladding / Top surface: majolica / steel
- Stove: airtight steel
- Firebox: Aluker®
- Smoke baffle plate / Brazier: cast iron / cast iron
- Door / Handle: cast iron with ceramic glass resistant up to 750°C / detachable
- Removable ash drawer: yes
- Standard flue outlet position: rear
- LCD remote control: standard
- WiFi module- Bluetooth for App MyPIAZZETTA: standard
- Control panel with digital controls: yes
- Power level: 5
- Room temperature probe for temperature management: standard
- Wireless probe for temperature management: optional
- Programmable timer-thermostat: 6 daily time period settings
- Humidifier: stainless steel
- Pellet level sensor: yes
- Regular brazier cleaning: yes
- Glass cleaning: continuous air flow
- Ash vacuum cleaner: standard
- Installation: wall - corner
- Pellet Quality system function: yes
- Air combustion System function: yes

**TECHNICAL DATA \***

• Model		P910 T FG
• Type		SP450-16A
• Room heating capacity (min - max)	m <sup>3</sup>	100 - 175
• Nominal heat output (min - max)	kW	2,8 - 6,0
• Thermal efficiency (min - max)	%	≥ 91 - ≥ 91
• Nominal consumption (min - max)	kg/h	0,63 - 1,37
• Hopper capacity	kg	15,5
• Stove weight	kg	160

**REAR flue outlet**

		P910 T FG
		SP450-16A
		100 - 175
		2,8 - 6,0
		≥ 91 - ≥ 91
		0,63 - 1,37
		15,5
		160

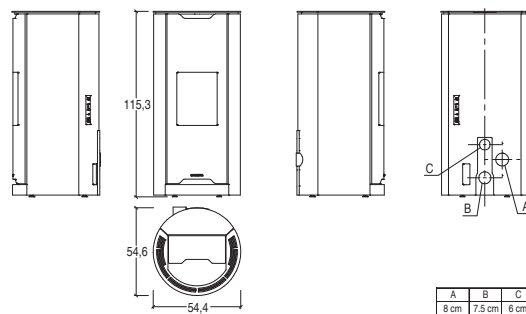


\* Product currently being certified.

CODE EURO

VERSION	- REAR FLUE OUTLET - COMBUSTION AIR KIT, STANDARD	
<b>TOTAL STOVE</b>		<b>4.380,00</b>
Cladding	BIANCO CALCE	P06253940C 540,00
	NERO OPACO	P06253160C 540,00
<b>TOTAL STOVE</b>		<b>4.480,00</b>
Cladding	BIANCO GRIGIO	P06253410C 640,00
	MARRONE TENNE	P062533B0C 640,00
	ROSSO LAVA	P06253450C 640,00
Stove	P910 T FG C SCARICO POSTERIORE	P07096100C 3.840,00
<b>Accessories on request</b>		
Wireless temperature probe kit	N08013024C	70,00
Fixed rear warm air vent kit	P08062240C	35,00
Hot air ducting kit	N08019042C	35,00

**Rear flue outlet**



All dimensions in cm.

**P910 T TOP Frontal Glass**



**GENERAL CHARACTERISTICS**

- Heating: Multifuoco System with lower front warm air outlet, ductable / Sweet Air Mode, upper front ventilation system
- Lower front ventilation: fixed air vent
- Upper front ventilation: fixed slit
- Natural Mode: all fans turned off
- Eco / Energy saving function: yes / yes
- Cladding / Top surface: majolica / steel
- Stove: airtight steel
- Firebox: Aluker®
- Smoke baffle plate / Brazier: cast iron / cast iron
- Door / Handle: cast iron with ceramic glass resistant up to 750°C / detachable
- Removable ash drawer: yes
- Standard flue outlet position: top
- LCD remote control: standard
- WiFi module- Bluetooth for App MyPIAZZETTA: standard
- Control panel with digital controls: yes
- Power level: 5
- Room temperature probe for temperature management: standard
- Wireless probe for temperature management: optional
- Programmable timer-thermostat: 6 daily time period settings
- Humidifier: stainless steel
- Pellet level sensor: yes
- Regular brazier cleaning: yes
- Glass cleaning: continuous air flow
- Ash vacuum cleaner: standard
- Installation: wall - corner
- Pellet Quality system function: yes
- Air combustion System function: yes

**TECHNICAL DATA \***

• Model		
• Type		
• Room heating capacity (min - max)	m³	
• Nominal heat output (min - max)	kW	
• Thermal efficiency (min - max)	%	
• Nominal consumption (min - max)	kg/h	
• Hopper capacity	kg	
• Stove weight	kg	

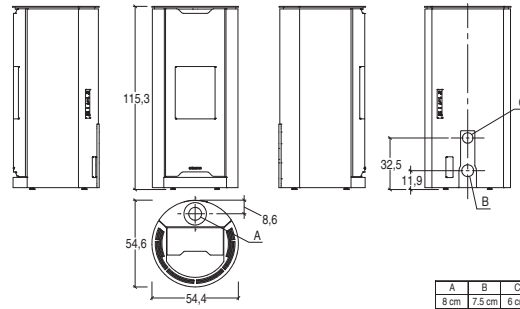
**TOP flue outlet**

P910 T TOP FG
SP450-15A
100 - 175
2,8 - 6,0
≥ 92 - ≥ 92
0,63 - 1,37
15,5
165

CODE EURO

VERSION	- TOP FLUE OUTLET - COMBUSTION AIR KIT, STANDARD	
TOTAL STOVE		<b>4.550,00</b>
Cladding	BIANCO CALCE	P06253940C 540,00
	NERO OPACO	P06253160C 540,00
TOTAL STOVE		<b>4.650,00</b>
Cladding	BIANCO GRIGIO	P06253410C 640,00
	MARRONE TENNE	P062533B0C 640,00
	ROSSO LAVA	P06253450C 640,00
Stove	P910 T FG C SCARICO SUPERIORE	P07096110C 4.010,00
<b>Accessories on request</b>		
Wireless temperature probe kit	N08013024C	70,00
Fixed rear warm air vent kit	P08062240C	35,00
Hot air ducting kit	N08019042C	35,00

**Top flue outlet**



All dimensions in cm.



\* Product currently being certified.

**P910 T STEEL Frontal Glass**



**GENERAL CHARACTERISTICS**

- Heating: Multifuoco System with lower front warm air outlet, ductable / Sweet Air Mode, upper front ventilation system
- Lower front ventilation: fixed air vent
- Upper front ventilation: fixed slit
- Natural Mode: all fans turned off
- Eco / Energy saving function: yes / yes
- Cladding / Top surface: steel / steel
- Stove: airtight steel
- Firebox: Aluker®
- Smoke baffle plate / Brazier: cast iron / cast iron
- Door / Handle: cast iron with ceramic glass resistant up to 750°C / detachable
- Removable ash drawer: yes
- Standard flue outlet position: rear
- LCD remote control: standard
- WiFi module- Bluetooth for App MyPIAZZETTA: standard
- Control panel with digital controls: yes
- Power level: 5
- Room temperature probe for temperature management: standard
- Wireless probe for temperature management: optional
- Programmable timer-thermostat: 6 daily time period settings
- Humidifier: stainless steel
- Pellet level sensor: yes
- Regular brazier cleaning: yes
- Glass cleaning: continuous air flow
- Ash vacuum cleaner: standard
- Installation: wall - corner
- Pellet Quality system function: yes
- Air combustion System function: yes

**TECHNICAL DATA \***

• Model		
• Type		
• Room heating capacity (min - max)	m³	
• Nominal heat output (min - max)	kW	
• Thermal efficiency (min - max)	%	
• Nominal consumption (min - max)	kg/h	
• Hopper capacity	kg	
• Stove weight	kg	

**REAR flue outlet**

P910 T FG STEEL
SP450-16A
100 - 175
2,8 - 6,0
≥ 91 - ≥ 91
0,63 - 1,37
15,5
110

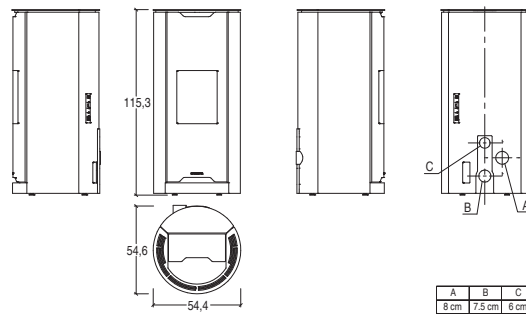


\* Product currently being certified.

CODE EURO

VERSION	- REAR FLUE OUTLET - COMBUSTION AIR KIT, STANDARD	
TOTAL STOVE		<b>3.990,00</b>
Firebox with cladding	BIANCO	P07091510C 3.990,00
	CORTEN	P07091520C 3.990,00
	NERO	P07091530C 3.990,00
<b>Accessories on request</b>		
Wireless temperature probe kit	N08013024C	70,00
Fixed rear warm air vent kit	P08062240C	35,00
Hot air ducting kit	N08019042C	35,00

**Rear flue outlet**



All dimensions in cm.



**P910 T TOP STEEL Frontal Glass**



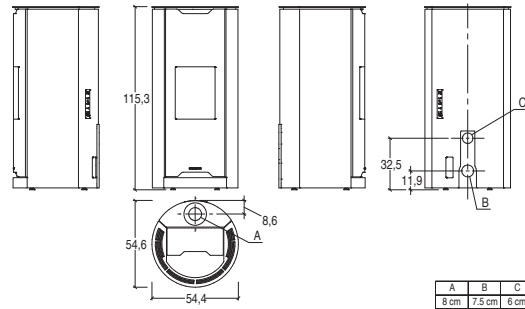
CODE EURO

VERSION	- TOP FLUE OUTLET - COMBUSTION AIR KIT, STANDARD	
TOTAL STOVE	<b>4.180,00</b>	
Cladding	BIANCO	P07091010C 4.180,00
	NERO	P07091020C 4.180,00
	CORTEN	P07091030C 4.180,00
<b>Accessories on request</b>		
Wireless temperature probe kit	N08013024C	70,00
Fixed rear warm air vent kit	P08062240C	35,00
Hot air ducting kit	N08019042C	35,00

**GENERAL CHARACTERISTICS**

- Heating: Multifuoco System with lower front warm air outlet, ductable / Sweet Air Mode, upper front ventilation system
- Lower front ventilation: fixed air vent
- Upper front ventilation: fixed slit
- Natural Mode: all fans turned off
- Eco / Energy saving function: yes / yes
- Cladding / Top surface: steel / steel
- Stove: airtight steel
- Firebox: Aluker®
- Smoke baffle plate / Brazier: cast iron / cast iron
- Door / Handle: cast iron with ceramic glass resistant up to 750°C / detachable
- Removable ash drawer: yes
- Standard flue outlet position: top
- LCD remote control: standard
- WiFi module- Bluetooth for App MyPIAZZETTA: standard
- Control panel with digital controls: yes
- Power level: 5
- Room temperature probe for temperature management: standard
- Wireless probe for temperature management: optional
- Programmable timer-thermostat: 6 daily time period settings
- Humidifier: stainless steel
- Pellet level sensor: yes
- Regular brazier cleaning: yes
- Glass cleaning: continuous air flow
- Ash vacuum cleaner: standard
- Installation: wall - corner
- Pellet Quality system function: yes
- Air combustion System function: yes

**Top flue outlet**



All dimensions in cm.

**TECHNICAL DATA \***

- Model
- Type
- Room heating capacity (min - max) m<sup>3</sup>
- Nominal heat output (min - max) kW
- Thermal efficiency (min - max) %
- Nominal consumption (min - max) kg/h
- Hopper capacity kg
- Stove weight kg

TOP flue outlet	
P910 T TOP STEEL Frontal Glass	
SP450-15A	
	100 - 175
	2,8 - 6,0
	≥ 92 - ≥ 92
	0,63 - 1,37
	15,5
	112



\* Product currently being certified.

**P920 C**



**GENERAL CHARACTERISTICS**

- Heating: Multifuoco System® with 3 speed levels, manually or automatically controlled. Ductable hot air
- Multicomfort Plus: Standard
- Multicomfort: Standard
- Front ventilation: directional air vent
- Side ventilation: fixed air vent optional
- Natural Mode: yes
- Eco / Energy saving function: yes / yes
- Cladding / Top surface: majolica / steel - cast iron
- Stove: airtight steel
- Firebox: cast iron
- Smoke baffle plate / Brazier: cast iron / cast iron
- Door / Handle: cast iron with ceramic glass resistant up to 750°C / detachable
- Design door: painted steel
- Flue outlet position standard: left rear or upper
- LCD remote control: optional
- WiFi module- Bluetooth for App MyPIAZZETTA: standard
- Control panel with digital controls: yes
- Power level: 4
- Room temperature probe for temperature mangement: standard
- Wireless probe for temperature management: optional
- Programmable timer-thermostat: 6 daily time period settings
- Humidifier: stainless steel
- Pellet level sensor: yes
- Regular brazier cleaning: yes
- Glass cleaning: continuous air flow
- Outside air kit: standard
- Ash vacuum cleaner: standard
- Installation : wall - flush / corner
- Conveyor: steel
- Convection heating Majolica: yes
- Pellet Quality system function: yes
- Air combustion System function: yes

**TECHNICAL DATA**

- Model
- Type
- Room heating capacity (min - max) m³
- Nominal heat output (min - max) kW
- Thermal efficiency (min - max) %
- Nominal consumption (min - max) kg/h
- Hopper capacity kg
- Stove weight kg

	REAR flue outlet	TOP flue outlet
P920 C	P920 C	P920 C TOP
SP400-04	SP400-04	SP400-03
	145 - 245	145 - 245
	3,3 - 8,5	3,4 - 8,5
	89,0 - 90,3	89,8 - 91,3
	0,7 - 1,9	0,7 - 1,9
	18	14
	147	150



CODE EURO

VERSION	- REAR FLUE OUTLET - COMBUSTION AIR KIT, STANDARD		
TOTAL STOVE			<b>3.960,00</b>
Cladding	BIANCO	P06230300C	525,00
	NERO OPACO	P06230160C	525,00
	TERRA COTTA	P06230090C	525,00
TOTAL STOVE			<b>4.060,00</b>
Cladding (*)	BIANCO GRIGIO	P06230410C	625,00
	ROSSO LAVA	P06230450C	625,00

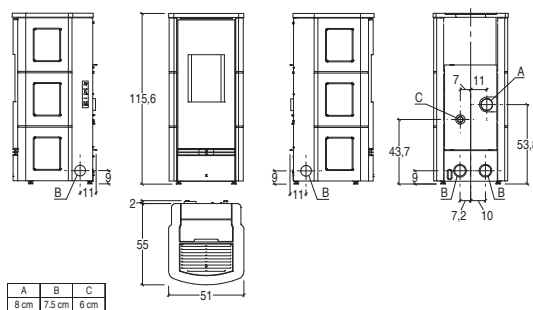
(\*) The company reserves 30 days for processing the order from the confirmation date.

Stove	P920 C REAR FLUE OUTLET	P07092800C	3.435,00
-------	-------------------------	------------	----------

**Accessories on request**

Wireless temperature probe kit	N08013024C	70,00
Fixed side warm air vent kit	P08062240C	35,00
Hot air ducting kit	N08019042C	35,00
Pellet loading kit	P08062760C	110,00
LCD remote control	P08062070C	120,00
Flexible pipe Ø 6 cm for combustion air	N08011017	19,00 <small>per linear metre</small>

**Version with rear flue outlet**



All dimensions in cm.

CODE EURO

VERSION	- TOP FLUE OUTLET - COMBUSTION AIR KIT, STANDARD		
TOTAL STOVE			<b>4.185,00</b>
Cladding	BIANCO	P06230300C	525,00
	NERO OPACO	P06230160C	525,00
	TERRA COTTA	P06230090C	525,00
TOTAL STOVE			<b>4.285,00</b>
Cladding (*)	BIANCO GRIGIO	P06230410C	625,00
	ROSSO LAVA	P06230450C	625,00

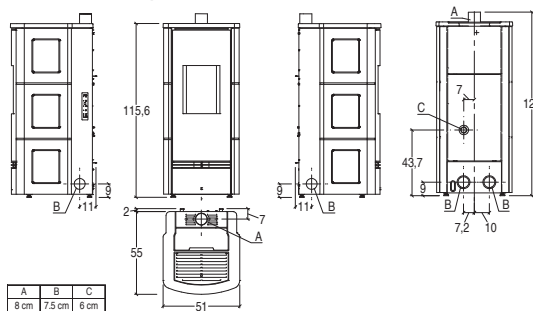
(\*) The company reserves 30 days for processing the order from the confirmation date.

Stove	P920 C TOP FLUE OUTLET	P07092810C	3.660,00
-------	------------------------	------------	----------

**Accessories on request**

Top-rear flue kit	P08062350C	110,00
Wireless temperature probe kit	N08013024C	70,00
Fixed side warm air vent kit	P08062240C	35,00
Hot air ducting kit	N08019042C	35,00
Pellet loading kit	P08062760C	110,00
Top coaxial flue kit Ø 80/130	N08010040C	350,00
LCD remote control	P08062070C	120,00
Flexible pipe Ø 6 cm for combustion air	N08011017	19,00 <small>per linear metre</small>

**Version with top flue outlet**



All dimensions in cm.

**P920 K**



**GENERAL CHARACTERISTICS**

- Heating: Multifuoco System® with 3 speed levels, manually or automatically controlled. Ductable hot air
- Multicomfort Plus: Standard
- Multicomfort: Standard
- Front ventilation: directional air vent
- Side ventilation: fixed air vent optional
- Natural Mode: yes
- Eco / Energy saving function: yes / yes
- Cladding / Top surface: majolica / steel - cast iron
- Stove: airtight steel
- Firebox: cast iron
- Smoke baffle plate / Brazier: cast iron / cast iron
- Door / Handle: cast iron with ceramic glass resistant up to 750°C / detachable
- Design door: painted steel
- Flue outlet position standard: left rear or upper
- LCD remote control: optional
- WiFi module- Bluetooth for App MyPIAZZETTA: standard
- Control panel with digital controls: yes
- Power level: 4
- Room temperature probe for temperature mangement: standard
- Wireless probe for temperature management: optional
- Programmable timer-thermostat: 6 daily time period settings
- Humidifier: stainless steel
- Pellet level sensor: yes
- Regular brazier cleaning: yes
- Glass cleaning: continuous air flow
- Outside air kit: standard
- Ash vacuum cleaner: standard
- Installation : wall - flush / corner
- Conveyor: steel
- Convection heating Majolica: yes
- Pellet Quality system function: yes
- Air combustion System function: yes

**TECHNICAL DATA**

- Model
- Type
- Room heating capacity (min - max) m³
- Nominal heat output (min - max) kW
- Thermal efficiency (min - max) %
- Nominal consumption (min - max) kg/h
- Hopper capacity kg
- Stove weight kg

	REAR flue outlet	TOP flue outlet
	P920 K	P920 K TOP
	SP400-04	SP400-03
Room heating capacity (min - max)	145 - 245	145 - 245
Nominal heat output (min - max)	3,3 - 8,5	3,4 - 8,5
Thermal efficiency (min - max)	89,0 - 90,3	89,8 - 91,3
Nominal consumption (min - max)	0,7 - 1,9	0,7 - 1,9
Hopper capacity	18	14
Stove weight	153	158



CODE EURO

VERSION	- REAR FLUE OUTLET - COMBUSTION AIR KIT, STANDARD		
TOTAL STOVE			<b>3.960,00</b>
Cladding	BIANCO	P06231300C	525,00
	NERO OPACO	P06231160C	525,00
	VERDE MIRTO	P06231250C	525,00
TOTAL STOVE			<b>4.060,00</b>
Cladding (*)	BIANCO GRIGIO	P06231410C	625,00
	ROSSO LAVA	P06231450C	625,00

(\*) The company reserves 30 days for processing the order from the confirmation date.

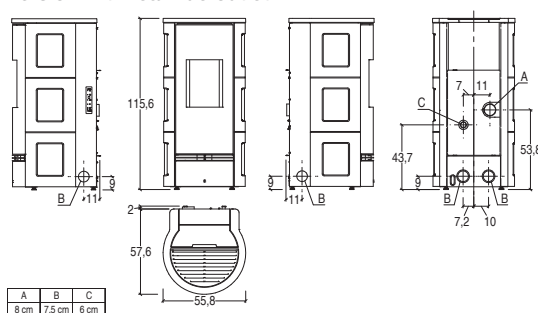
Stove	P920 K REAR FLUE OUTLET	P07092700C	3.435,00
-------	-------------------------	------------	----------

**Accessories on request**

Wireless temperature probe kit	N08013024C	70,00
Fixed side warm air vent kit	P08062240C	35,00
Hot air ducting kit	N08019042C	35,00
Pellet loading kit	P08062760C	110,00
LCD remote control	P08062070C	120,00
Flexible pipe Ø 6 cm for combustion air	N08011017	19,00

per linear metre

**Version with rear flue outlet**



All dimensions in cm.

CODE EURO

VERSION	- TOP FLUE OUTLET - COMBUSTION AIR KIT, STANDARD		
TOTAL STOVE			<b>4.185,00</b>
Cladding	BIANCO	P06231300C	525,00
	NERO OPACO	P06231160C	525,00
	VERDE MIRTO	P06231250C	525,00
TOTAL STOVE			<b>4.285,00</b>
Cladding (*)	BIANCO GRIGIO	P06231410C	625,00
	ROSSO LAVA	P06231450C	625,00

(\*) The company reserves 30 days for processing the order from the confirmation date.

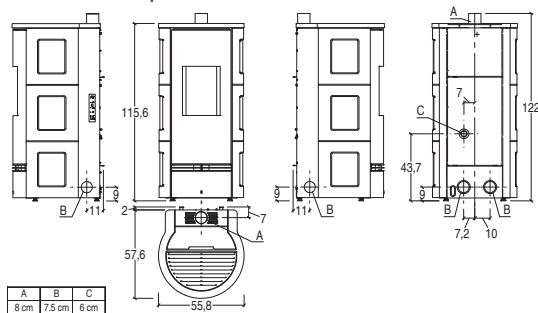
Stove	P920 K TOP FLUE OUTLET	P07092710C	3.660,00
-------	------------------------	------------	----------

**Accessories on request**

Top-rear flue kit	P08062350C	110,00
Wireless temperature probe kit	N08013024C	70,00
Fixed side warm air vent kit	P08062240C	35,00
Hot air ducting kit	N08019042C	35,00
Pellet loading kit	P08062760C	110,00
Top coaxial flue kit Ø 80/130	N08010040C	350,00
LCD remote control	P08062070C	120,00
Flexible pipe Ø 6 cm for combustion air	N08011017	19,00

per linear metre

**Version with top flue outlet**



All dimensions in cm.

**P920 M**



**GENERAL CHARACTERISTICS**

- Heating: Multifuoco System® with 3 speed levels, manually or automatically controlled. Ductable hot air
- Multicomfort Plus: Standard
- Multicomfort: Standard
- Front ventilation: directional air vent
- Side ventilation: fixed air vent optional
- Natural Mode: yes
- Eco / Energy saving function: yes / yes
- Cladding / Top surface: majolica / steel - cast iron
- Stove: airtight steel
- Firebox: cast iron
- Smoke baffle plate / Brazier: cast iron / cast iron
- Door / Handle: cast iron with ceramic glass resistant up to 750°C / detachable
- Design door: painted steel
- Standard flue outlet position: rear left
- LCD remote control: optional
- WiFi module- Bluetooth for App MyPIAZZETTA: standard
- Control panel with digital controls: yes
- Power level: 4
- Room temperature probe for temperature mangement: standard
- Wireless probe for temperature management: optional
- Programmable timer-thermostat: 6 daily time period settings
- Humidifier: stainless steel
- Pellet level sensor: yes
- Regular brazier cleaning: yes
- Glass cleaning: continuous air flow
- Outside air kit: standard
- Ash vacuum cleaner: standard
- Installation : wall - flush / corner
- Conveyor: steel
- Convection heating Majolica: yes
- Pellet Quality system function: yes
- Air combustion System function: yes

**TECHNICAL DATA**

- Model
- Type
- Room heating capacity (min - max) m³
- Nominal heat output (min - max) kW
- Thermal efficiency (min - max) %
- Nominal consumption (min - max) kg/h
- Hopper capacity kg
- Stove weight kg

	REAR flue outlet	TOP flue outlet
P920 M	P920 M	P920 M TOP
SP400-04	SP400-04	SP400-03
	145 - 245	145 - 245
	3,3 - 8,5	3,4 - 8,5
	89,0 - 90,3	89,8 - 91,3
	0,7 - 1,9	0,7 - 1,9
	18	14
	147	150



CODE EURO

VERSION	- REAR FLUE OUTLET - COMBUSTION AIR KIT, STANDARD		
TOTAL STOVE			<b>3.960,00</b>
Cladding	BIANCO CALCE	P06179940C	525,00
	NERO OPACO	P06179160C	525,00
	TERRA COTTA	P06179090C	525,00
TOTAL STOVE			<b>4.060,00</b>
Cladding (*)	BIANCO GRIGIO	P06179410C	625,00
	ROSSO LAVA	P06179450C	625,00

(\*) The company reserves 30 days for processing the order from the confirmation date.

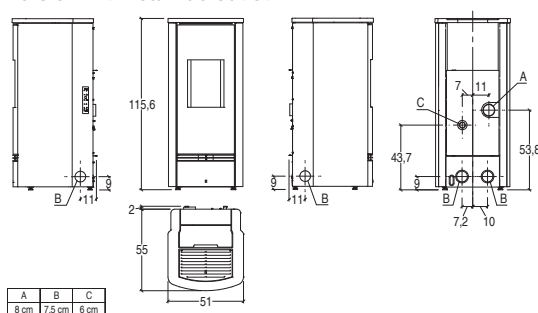
Stove	P920 M REAR FLUE OUTLET	P07092800C	3.435,00
-------	-------------------------	------------	----------

**Accessories on request**

Wireless temperature probe kit	N08013024C	70,00
Fixed side warm air vent kit	P08062240C	35,00
Hot air ducting kit	N08019042C	35,00
Pellet loading kit	P08062760C	110,00
LCD remote control	P08062070C	120,00
Flexible pipe Ø 6 cm for combustion air	N08011017	19,00

per linear metre

**Version with rear flue outlet**



All dimensions in cm.

CODE EURO

VERSION	- TOP FLUE OUTLET - COMBUSTION AIR KIT, STANDARD		
TOTAL STOVE			<b>4.185,00</b>
Cladding	BIANCO CALCE	P06179940C	525,00
	NERO OPACO	P06179160C	525,00
	TERRA COTTA	P06179090C	525,00
TOTAL STOVE			<b>4.285,00</b>
Cladding (*)	BIANCO GRIGIO	P06179410C	625,00
	ROSSO LAVA	P06179450C	625,00

(\*) The company reserves 30 days for processing the order from the confirmation date.

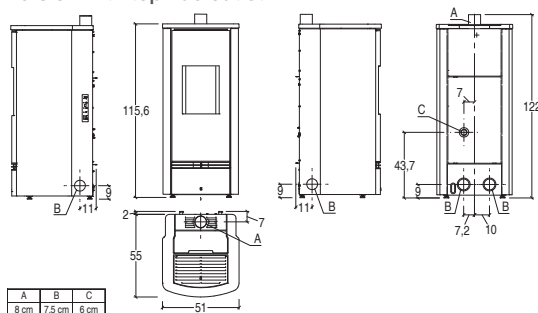
Stove	P920 M TOP FLUE OUTLET	P07092810C	3.660,00
-------	------------------------	------------	----------

**Accessories on request**

Wireless temperature probe kit	N08013024C	70,00
Top-rear flue kit	P08062350C	110,00
Fixed side warm air vent kit	P08062240C	35,00
Hot air ducting kit	N08019042C	35,00
Pellet loading kit	P08062760C	110,00
Top coaxial flue kit Ø 80/130	N08010040C	350,00
LCD remote control	P08062070C	120,00
Flexible pipe Ø 6 cm for combustion air	N08011017	19,00

per linear metre

**Version with top flue outlet**



All dimensions in cm.

**P920 M STEEL**



Available while stocks last.

**GENERAL CHARACTERISTICS**

- Heating: Multifuoco System® with 3 speed levels, manually or automatically controlled. Ductable hot air
- Multicomfort Plus: Standard
- Multicomfort: Standard
- Front ventilation: directional air vent
- Side ventilation: fixed air vent optional
- Natural Mode: yes
- Eco / Energy saving function: yes / yes
- Cladding / Top surface: steel / steel - cast iron
- Stove: airtight steel
- Firebox: cast iron
- Smoke baffle plate / Brazier: cast iron / cast iron
- Door / Handle: cast iron with ceramic glass resistant up to 750°C / detachable
- Design door: painted steel
- Standard flue outlet position: rear left
- LCD remote control: optional
- WiFi module- Bluetooth for App MyPIAZZETTA: standard
- Control panel with digital controls: yes
- Power level: 4
- Room temperature probe for temperature mangement: standard
- Wireless probe for temperature management: optional
- Programmable timer-thermostat: 6 daily time period settings
- Humidifier: stainless steel
- Pellet level sensor: yes
- Regular brazier cleaning: yes
- Glass cleaning: continuous air flow
- Outside air kit: standard
- Ash vacuum cleaner: standard
- Installation : wall - flush / corner
- Conveyor: steel
- Pellet Quality system function: yes
- Air combustion System function: yes

**TECHNICAL DATA**

- Model
- Type
- Room heating capacity (min - max)
- Nominal heat output (min - max)
- Thermal efficiency (min - max)
- Nominal consumption (min - max)
- Hopper capacity
- Stove weight

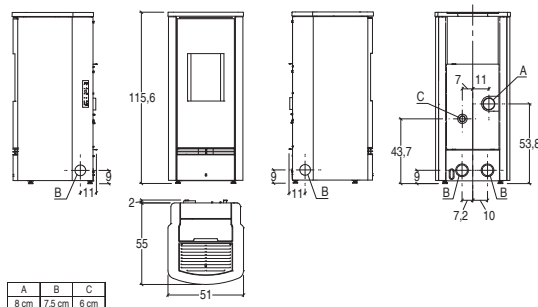
	REAR flue outlet	TOP flue outlet
	P920 M STEEL	P920 M TOP STEEL
	SP400-04	SP400-03
	m <sup>3</sup>	145 - 245
	KW	3,3 - 8,5
	%	89,0 - 90,3
	kg/h	0,7 - 1,9
	kg	18
	kg	147
		14
		150



CODE EURO

VERSION	- REAR FLUE OUTLET - COMBUSTION AIR KIT, STANDARD	
TOTAL STOVE	<b>3.725,00</b>	
Cladding	BIANCO	P19920200C 290,00
	NERO	P19920210C 290,00
Stove	P920 M REAR FLUE OUTLET	P07092800C 3.435,00
<b>Accessories on request</b>		
	Wireless temperature probe kit	N08013024C 70,00
	Fixed side warm air vent kit	P08062240C 35,00
	Hot air ducting kit	N08019042C 35,00
	Pellet loading kit	P08062760C 110,00
	LCD remote control	P08062070C 120,00
	Flexible pipe Ø 6 cm for combustion air	N08011017C 19,00 per linear metre

**Version with rear flue outlet**

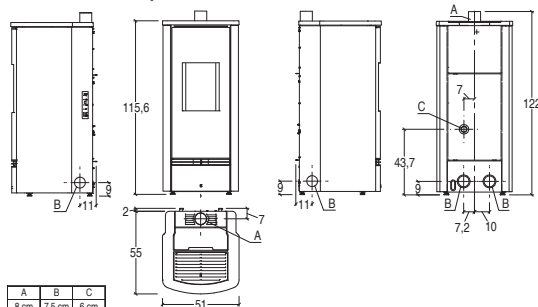


All dimensions in cm.

CODE EURO

VERSION	- TOP FLUE OUTLET - COMBUSTION AIR KIT, STANDARD	
TOTAL STOVE	<b>3.950,00</b>	
Cladding	BIANCO	P19920200C 290,00
	NERO	P19920210C 290,00
Stove	P920 M TOP FLUE OUTLET	P07092810C 3.660,00
<b>Accessories on request</b>		
	Top-rear flue kit	P08062350C 110,00
	Wireless temperature probe kit	N08013024C 70,00
	Fixed side warm air vent kit	P08062240C 35,00
	Hot air ducting kit	N08019042C 35,00
	Pellet loading kit	P08062760C 110,00
	Top coaxial flue kit Ø 80/130	N08010040C 350,00
	LCD remote control	P08062070C 120,00
	Flexible pipe Ø 6 cm for combustion air	N08011017C 19,00 per linear metre

**Version with top flue outlet**



All dimensions in cm.

**P920 T**



**GENERAL CHARACTERISTICS**

- Heating: Multifuoco System® with 3 speed levels, manually or automatically controlled. Ductable hot air
- Multicomfort Plus: Standard
- Multicomfort: Standard
- Front ventilation: directional air vent
- Side ventilation: fixed air vent optional
- Natural Mode: yes
- Eco / Energy saving function: yes / yes
- Cladding / Top surface: majolica / steel - cast iron
- Stove: airtight steel
- Firebox: cast iron
- Smoke baffle plate / Brazier: cast iron / cast iron
- Door / Handle: cast iron with ceramic glass resistant up to 750°C / detachable
- Design door: painted steel
- Standard flue outlet position: rear left
- LCD remote control: optional
- WiFi module- Bluetooth for App MyPIAZZETTA: standard
- Control panel with digital controls: yes
- Power level: 4
- Room temperature probe for temperature mangement: standard
- Wireless probe for temperature management: optional
- Programmable timer-thermostat: 6 daily time period settings
- Humidifier: stainless steel
- Pellet level sensor: yes
- Regular brazier cleaning: yes
- Glass cleaning: continuous air flow
- Outside air kit: standard
- Ash vacuum cleaner: standard
- Installation : wall - flush / corner
- Conveyor: steel
- Convection heating Majolica: yes
- Pellet Quality system function: yes
- Air combustion System function: yes

**TECHNICAL DATA**

- Model
- Type
- Room heating capacity (min - max) m³
- Nominal heat output (min - max) kW
- Thermal efficiency (min - max) %
- Nominal consumption (min - max) kg/h
- Hopper capacity kg
- Stove weight kg

	REAR flue outlet	TOP flue outlet
P920 T	P920 T	P920 T TOP
SP400-04	SP400-04	SP400-03
Room heating capacity (min - max)	145 - 245	145 - 245
Nominal heat output (min - max)	3,3 - 8,5	3,4 - 8,5
Thermal efficiency (min - max)	89,0 - 90,3	89,8 - 91,3
Nominal consumption (min - max)	0,7 - 1,9	0,7 - 1,9
Hopper capacity	18	14
Stove weight	153	158



CODE EURO

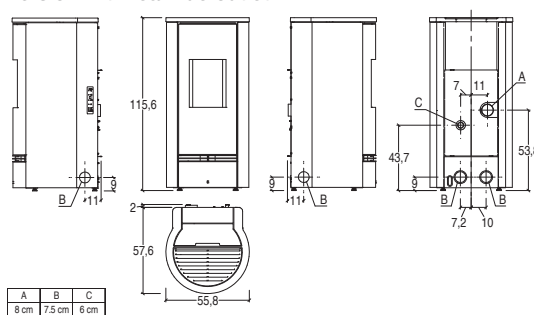
VERSION	- REAR FLUE OUTLET - COMBUSTION AIR KIT, STANDARD		
TOTAL STOVE			<b>3.960,00</b>
Cladding	BIANCO CALCE	P06178940C	525,00
	NERO OPACO	P06178160C	525,00
	TERRA COTTA	P06178090C	525,00
TOTAL STOVE			<b>4.060,00</b>
Cladding (*)	BIANCO GRIGIO	P06178410C	625,00
	ROSSO LAVA	P06178450C	625,00

(\*) The company reserves 30 days for processing the order from the confirmation date.

Stove	P920 T REAR FLUE OUTLET	P07092700C	3.435,00
-------	-------------------------	------------	----------

Accessories on request			
Wireless temperature probe kit	N08013024C		70,00
Fixed side warm air vent kit	P08062240C		35,00
Hot air ducting kit	N08019042C		35,00
Pellet loading kit	P08062760C		110,00
LCD remote control	P08062070C		120,00
Flexible pipe Ø 6 cm for combustion air	N08011017		19,00 per linear metre

**Version with rear flue outlet**



All dimensions in cm.

CODE EURO

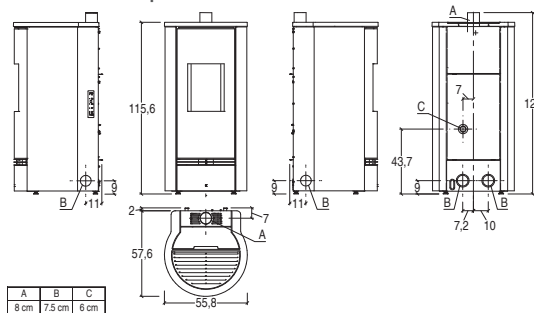
VERSION	- TOP FLUE OUTLET - COMBUSTION AIR KIT, STANDARD		
TOTAL STOVE			<b>4.185,00</b>
Cladding	BIANCO CALCE	P06178940C	525,00
	NERO OPACO	P06178160C	525,00
	TERRA COTTA	P06178090C	525,00
TOTAL STOVE			<b>4.285,00</b>
Cladding (*)	BIANCO GRIGIO	P06178410C	625,00
	ROSSO LAVA	P06178450C	625,00

(\*) The company reserves 30 days for processing the order from the confirmation date.

Stove	P920 T TOP FLUE OUTLET	P07092710C	3.660,00
-------	------------------------	------------	----------

Accessories on request			
Top-rear flue kit	P08062350C		110,00
Wireless temperature probe kit	N08013024C		70,00
Fixed side warm air vent kit	P08062240C		35,00
Hot air ducting kit	N08019042C		35,00
Pellet loading kit	P08062760C		110,00
Top coaxial flue kit Ø 80/130	N08010040C		350,00
LCD remote control	P08062070C		120,00
Flexible pipe Ø 6 cm for combustion air	N08011017		19,00 per linear metre

**Version with top flue outlet**



All dimensions in cm.



# PELLET STOVES

## Premium LINE

### P920 T STEEL



Available while stocks last.

#### GENERAL CHARACTERISTICS

- Heating: Multifuoco System® with 3 speed levels, manually or automatically controlled. Ductable hot air
- Multicomfort Plus: Standard
- Multicomfort: Standard
- Front ventilation: directional air vent
- Side ventilation: fixed air vent optional
- Natural Mode: yes
- Eco / Energy saving function: yes / yes
- Cladding / Top surface: steel / steel - cast iron
- Stove: airtight steel
- Firebox: cast iron
- Smoke baffle plate / Brazier: cast iron / cast iron
- Door / Handle: cast iron with ceramic glass resistant up to 750°C / detachable
- Design door: painted steel
- Standard flue outlet position: rear left
- LCD remote control: optional
- WiFi module- Bluetooth for App MyPIAZZETTA: standard
- Control panel with digital controls: yes
- Power level: 4
- Room temperature probe for temperature management: standard
- Wireless probe for temperature management: optional
- Programmable timer-thermostat: 6 daily time period settings
- Humidifier: stainless steel
- Pellet level sensor: yes
- Regular brazier cleaning: yes
- Glass cleaning: continuous air flow
- Outside air kit: standard
- Ash vacuum cleaner: standard
- Installation : wall - flush / corner
- Conveyor: steel
- Pellet Quality system function: yes
- Air combustion System function: yes

#### TECHNICAL DATA

- Model
- Type
- Room heating capacity (min - max)
- Nominal heat output (min - max)
- Thermal efficiency (min - max)
- Nominal consumption (min - max)
- Hopper capacity
- Stove weight

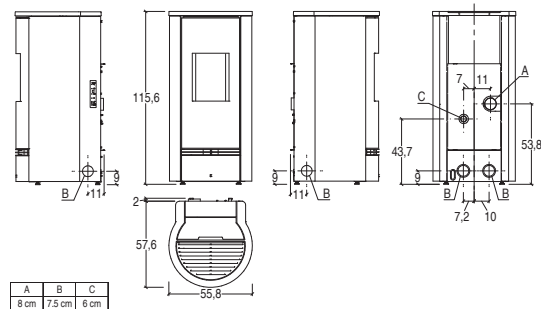
	REAR flue outlet	TOP flue outlet
	P920 T STEEL	P920 T TOP STEEL
	SP400-04	SP400-03
	m <sup>3</sup>	145 - 245
	KW	3,3 - 8,5
	%	89,0 - 90,3
	kg/h	0,7 - 1,9
	kg	18
	kg	153



CODE EURO

VERSION	- REAR FLUE OUTLET - COMBUSTION AIR KIT, STANDARD		
TOTAL STOVE			<b>3.725,00</b>
Cladding	BIANCO	P19920300C	290,00
	NERO	P19920310C	290,00
Stove	P920 T REAR FLUE OUTLET	P07092700C	3.435,00
<b>Accessories on request</b>			
	Wireless temperature probe kit	N08013024C	70,00
	Fixed side warm air vent kit	P08062240C	35,00
	Hot air ducting kit	N08019042C	35,00
	Pellet loading kit	P08062760C	110,00
	LCD remote control	P08062070C	120,00
	Flexible pipe Ø 6 cm for combustion air	N08011017C	19,00 per linear metre

#### Version with rear flue outlet

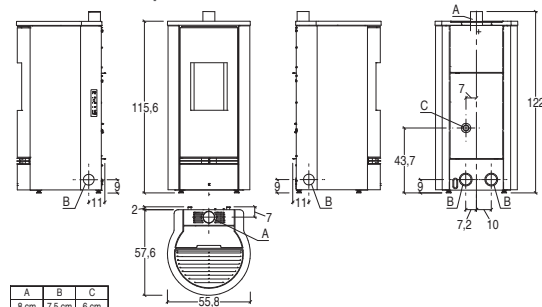


All dimensions in cm.

CODE EURO

VERSION	- TOP FLUE OUTLET - COMBUSTION AIR KIT, STANDARD		
TOTAL STOVE			<b>3.950,00</b>
Cladding	BIANCO	P19920300C	290,00
	NERO	P19920310C	290,00
Stove	P920 T TOP FLUE OUTLET	P07092710C	3.660,00
<b>Accessories on request</b>			
	Top-rear flue kit	P08062350C	110,00
	Wireless temperature probe kit	N08013024C	70,00
	Fixed side warm air vent kit	P08062240C	35,00
	Hot air ducting kit	N08019042C	35,00
	Pellet loading kit	P08062760C	110,00
	Top coaxial flue kit Ø 80/130	N08010040C	350,00
	LCD remote control	P08062070C	120,00
	Flexible pipe Ø 6 cm for combustion air	N08011017C	19,00 per linear metre

#### Version with top flue outlet



All dimensions in cm.



**P921 R**



CODE EURO

VERSION	- REAR FLUE OUTLET - COMBUSTION AIR KIT, STANDARD		
---------	--	--	--

TOTAL STOVE			<b>4.635,00</b>
Cladding	BIANCO	P06240300C	1.125,00
	CANAPA	P06240350C	1.125,00
	NERO OPACO	P06240160C	1.125,00
	VERDE MIRTO	P06240250C	1.125,00

TOTAL STOVE			<b>4.715,00</b>
Cladding (*)	BIANCO GRIGIO	P06240410C	1.205,00
	ROSSO LAVA	P06240450C	1.205,00

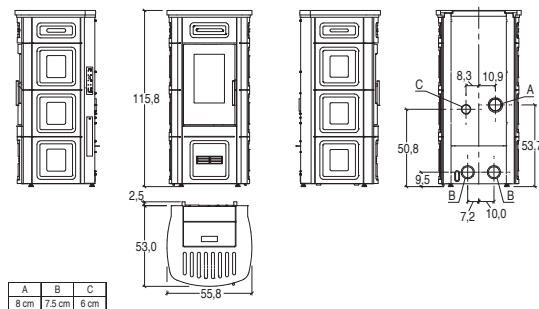
(\*) The company reserves 30 days for processing the order from the confirmation date.

Stove	P921 R REAR FLUE OUTLET	P07094100C	3.510,00
-------	-------------------------	------------	----------

<b>Accessories upon request</b>			
wireless temperature sensor kit	N08013024C		70,00
Hot air ducting kit (1)	N08019042C		35,00
LCD remote control	P08062070C		120,00
Flexible pipe Ø 6 cm for combustion air	N08011017		19,00 <small>per linear metre</small>

**GENERAL CHARACTERISTICS**

- Heating: Multifuoco System® with 3 speed levels, manually or automatically controlled. Ductable hot air
- Multicomfort Plus: Standard
- Multicomfort: Standard
- Front ventilation: directional air vent
- Natural Mode: yes
- Eco / Energy saving function: yes / yes
- Cladding / Top surface: majolica / majolica and steel
- Stove: airtight steel
- Firebox: cast iron
- Smoke baffle plate / Brazier: cast iron / cast iron
- Door / Handle: cast iron with self-cleaning ceramic glass resistant up to 750°C / steel with Nero finish
- Standard flue outlet position: rear left
- LCD remote control: optional
- WiFi module- Bluetooth for App MyPIAZZETTA: standard
- Control panel with digital controls: yes
- Power level: 4
- Room temperature probe for temperature management: standard
- Wireless probe for temperature management: optional
- Programmable timer-thermostat: 6 daily time period settings
- Humidifier: stainless steel
- Pellet level sensor: yes
- Regular brazier cleaning: yes
- Glass cleaning: continuous air flow
- Outside air kit: standard
- Ash vacuum cleaner: standard
- Installation : wall - flush / corner
- Convection heating Majolica: yes
- Pellet Quality system function: yes
- Air combustion System function: yes



All dimensions in cm.

**TECHNICAL DATA**

- Model
- Type
- Room heating capacity (min - max) m<sup>3</sup>
- Nominal heat output (min - max) kW
- Thermal efficiency (min - max) %
- Nominal consumption (min - max) kg/h
- Hopper capacity kg
- Stove weight kg

**REAR flue outlet**

- Model P921 R
- Type SP400-10
- Room heating capacity (min - max) 145 - 245
- Nominal heat output (min - max) 3,3 - 8,5
- Thermal efficiency (min - max) 91,2 - 91,2
- Nominal consumption (min - max) 0,75 - 1,95
- Hopper capacity 19,5
- Stove weight 165



# PELLET STOVES

## Premium LINE

### P921 T Frontal Glass



#### GENERAL CHARACTERISTICS

- Heating: Multifuoco System with lower front warm air outlet, ductable / Sweet Air Mode, upper front ventilation system
- Lower front ventilation: fixed air vent
- Upper front ventilation: fixed slit
- Natural Mode: all fans turned off
- Eco / Energy saving function: yes / yes
- Cladding / Top surface: majolica / steel
- Stove: airtight steel
- Firebox: Aluker®
- Smoke baffle plate / Brazier: cast iron / cast iron
- Door / Handle: cast iron with ceramic glass resistant up to 750°C / detachable
- Removable ash drawer: yes
- Standard flue outlet position: rear
- LCD remote control: standard
- WiFi module- Bluetooth for App MyPIAZZETTA: standard
- Control panel with digital controls: yes
- Power level: 5
- Room temperature probe for temperature management: standard
- Wireless probe for temperature management: optional
- Programmable timer-thermostat: 6 daily time period settings
- Humidifier: stainless steel
- Pellet level sensor: yes
- Regular brazier cleaning: yes
- Glass cleaning: continuous air flow
- Ash vacuum cleaner: standard
- Installation: wall - corner
- Pellet Quality system function: yes
- Air combustion System function: yes

#### TECHNICAL DATA \*

• Model		P921 T FG
• Type		SP450-18A
• Room heating capacity (min - max)	m³	145 - 245
• Nominal heat output (min - max)	kW	3,3 - 8,5
• Thermal efficiency (min - max)	%	≥ 91 - ≥ 91
• Nominal consumption (min - max)	kg/h	0,75 - 1,92
• Hopper capacity	kg	15,5
• Stove weight	kg	155

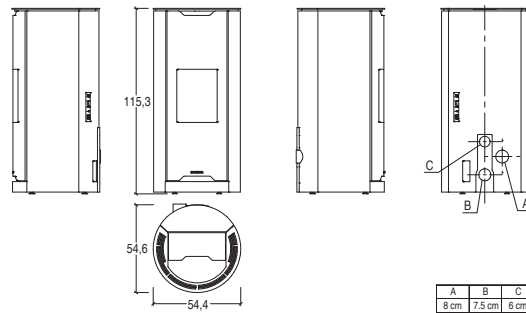
#### REAR flue outlet

• Model		P921 T FG
• Type		SP450-18A
• Room heating capacity (min - max)	m³	145 - 245
• Nominal heat output (min - max)	kW	3,3 - 8,5
• Thermal efficiency (min - max)	%	≥ 91 - ≥ 91
• Nominal consumption (min - max)	kg/h	0,75 - 1,92
• Hopper capacity	kg	15,5
• Stove weight	kg	155

CODE EURO

VERSION	- REAR FLUE OUTLET - COMBUSTION AIR KIT, STANDARD	
TOTAL STOVE		<b>4.380,00</b>
Cladding	BIANCO CALCE	P06254940C 540,00
	NERO OPACO	P06254160C 540,00
TOTAL STOVE		<b>4.480,00</b>
Cladding	BIANCO GRIGIO	P06254410C 640,00
	MARRONE TENNE	P062543B0C 640,00
	ROSSO LAVA	P06254450C 640,00
Stove	P921 T FG SCARICO POSTERIORE	P07097100C 3.840,00
<b>Accessories on request</b>		
Wireless temperature probe kit	N08013024C	70,00
Fixed rear warm air vent kit	P08062240C	35,00
Hot air ducting kit	N08019042C	35,00

#### Rear flue outlet



All dimensions in cm.



\* Product currently being certified.

**P921 T TOP Frontal Glass**

**GENERAL CHARACTERISTICS**

- Heating: Multifuoco System with lower front warm air outlet, ductable / Sweet Air Mode, upper front ventilation system
- Lower front ventilation: fixed air vent
- Upper front ventilation: fixed slit
- Natural Mode: all fans turned off
- Eco / Energy saving function: yes / yes
- Cladding / Top surface: majolica / steel
- Stove: airtight steel
- Firebox: Aluker®
- Smoke baffle plate / Brazier: cast iron / cast iron
- Door / Handle: cast iron with ceramic glass resistant up to 750°C / detachable
- Removable ash drawer: yes
- Standard flue outlet position: top
- LCD remote control: standard
- WiFi module- Bluetooth for App MyPIAZZETTA: standard
- Control panel with digital controls: yes
- Power level: 5
- Room temperature probe for temperature management: standard
- Wireless probe for temperature management: optional
- Programmable timer-thermostat: 6 daily time period settings
- Humidifier: stainless steel
- Pellet level sensor: yes
- Regular brazier cleaning: yes
- Glass cleaning: continuous air flow
- Ash vacuum cleaner: standard
- Installation: wall - corner
- Pellet Quality system function: yes
- Air combustion System function: yes

**TECHNICAL DATA \***

• Model		
• Type		
• Room heating capacity (min - max)	m³	
• Nominal heat output (min - max)	kW	
• Thermal efficiency (min - max)	%	
• Nominal consumption (min - max)	kg/h	
• Hopper capacity	kg	
• Stove weight	kg	

**TOP flue outlet**

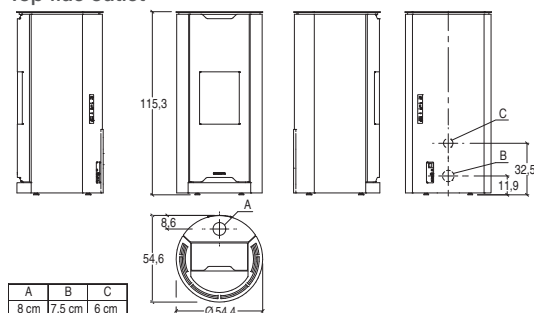
P921 T TOP FG
SP450-17A
145 - 245
3,4 - 8,5
92 - 93
0,77 - 1,89
15,5
160



\* Product currently being certified.

CODE EURO

VERSION	- TOP FLUE OUTLET - COMBUSTION AIR KIT, STANDARD	
TOTAL STOVE		<b>4.550,00</b>
Cladding	BIANCO CALCE	P06254940C 540,00
	NERO OPACO	P06254160C 540,00
TOTAL STOVE		<b>4.650,00</b>
Cladding	BIANCO GRIGIO	P06254410C 640,00
	MARRONE TENNE	P062543B0C 640,00
	ROSSO LAVA	P06254450C 640,00
Stove	P921 T TOP FG SCARICO SUPERIORE	P07097110C 4.010,00
<b>Accessories on request</b>		
Wireless temperature probe kit	N08013024C	70,00
Fixed rear warm air vent kit	P08062240C	35,00
Hot air ducting kit	N08019042C	35,00

**Top flue outlet**


All dimensions in cm.

# PELLET STOVES

## Premium LINE

### P921 T STEEL Frontal Glass



#### GENERAL CHARACTERISTICS

- Heating: Multifuoco System with lower front warm air outlet, ductable / Sweet Air Mode, upper front ventilation system
- Lower front ventilation: fixed air vent
- Upper front ventilation: fixed slit
- Natural Mode: all fans turned off
- Eco / Energy saving function: yes / yes
- Cladding / Top surface: steel / steel
- Stove: airtight steel
- Firebox: Aluker®
- Smoke baffle plate / Brazier: cast iron / cast iron
- Door / Handle: cast iron with ceramic glass resistant up to 750°C / detachable
- Removable ash drawer: yes
- Standard flue outlet position: rear
- LCD remote control: standard
- WiFi module- Bluetooth for App MyPIAZZETTA: standard
- Control panel with digital controls: yes
- Power level: 5
- Room temperature probe for temperature management: standard
- Wireless probe for temperature management: optional
- Programmable timer-thermostat: 6 daily time period settings
- Humidifier: stainless steel
- Pellet level sensor: yes
- Regular brazier cleaning: yes
- Glass cleaning: continuous air flow
- Ash vacuum cleaner: standard
- Installation: wall - corner
- Pellet Quality system function: yes
- Air combustion System function: yes

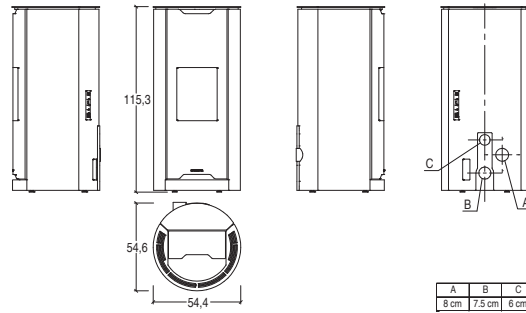
#### TECHNICAL DATA \*

• Model		P921 T FG ST
• Type		SP450-18A
• Room heating capacity (min - max)	m³	145 - 245
• Nominal heat output (min - max)	kW	3,3 - 8,5
• Thermal efficiency (min - max)	%	≥ 91 - ≥ 91
• Nominal consumption (min - max)	kg/h	0,75 - 1,92
• Hopper capacity	kg	15,5
• Stove weight	kg	115

#### REAR flue outlet

VERSION	- REAR FLUE OUTLET - COMBUSTION AIR KIT, STANDARD		CODE	EURO
TOTAL STOVE				<b>3.990,00</b>
Firebox with cladding	BIANCO	P07095510C		3.990,00
	CORTEN	P07095520C		3.990,00
	NERO	P07095530C		3.990,00
<b>Accessories on request</b>				
Wireless temperature probe kit		N08013024C		70,00
Fixed rear warm air vent kit		P08062240C		35,00
Hot air ducting kit		N08019042C		35,00

#### Rear flue outlet



All dimensions in cm.



\* Product currently being certified.

**P921 T TOP STEEL Frontal Glass**

CODE EURO

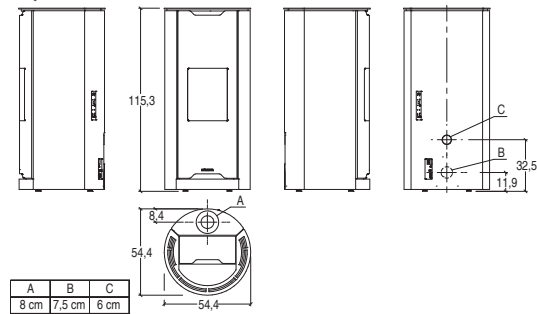


VERSION	- TOP FLUE OUTLET - COMBUSTION AIR KIT, STANDARD	
TOTAL STOVE	<b>4.180,00</b>	
Firebox with cladding	BIANCO	P07095010C 4.180,00
	CORTEN	P07095020C 4.180,00
	NERO	P07095030C 4.180,00
<b>Accessories on request</b>		
Wireless temperature probe kit	N08013024C	70,00
Fixed rear warm air vent kit	P08062240C	35,00
Hot air ducting kit	N08019042C	35,00

**GENERAL CHARACTERISTICS**

- Heating: Multifuoco System with lower front warm air outlet, ductable / Sweet Air Mode, upper front ventilation system
- Lower front ventilation: fixed air vent
- Upper front ventilation: fixed slit
- Natural Mode: all fans turned off
- Eco / Energy saving function: yes / yes
- Cladding / Top surface: steel / steel
- Stove: airtight steel
- Firebox: Aluker®
- Smoke baffle plate / Brazier: cast iron / cast iron
- Door / Handle: cast iron with ceramic glass resistant up to 750°C / detachable
- Removable ash drawer: yes
- Standard flue outlet position: top
- LCD remote control: standard
- WiFi module- Bluetooth for App MyPIAZZETTA: standard
- Control panel with digital controls: yes
- Power level: 5
- Room temperature probe for temperature management: standard
- Wireless probe for temperature management: optional
- Programmable timer-thermostat: 6 daily time period settings
- Humidifier: stainless steel
- Pellet level sensor: yes
- Regular brazier cleaning: yes
- Glass cleaning: continuous air flow
- Ash vacuum cleaner: standard
- Installation: wall - corner
- Pellet Quality system function: yes
- Air combustion System function: yes

**Top flue outlet**



All dimensions in cm.

**TECHNICAL DATA**

- Model
- Type
- Room heating capacity (min - max) m³
- Nominal heat output (min - max) kW
- Thermal efficiency (min - max) %
- Nominal consumption (min - max) kg/h
- Hopper capacity kg
- Stove weight kg

**TOP flue outlet**

- P921 T TOP FG ST
- SP450-17A
- 145 - 245
- 3,4 - 8,5
- 92 - 93
- 0,77 - 1,89
- 15,5
- 105



# PELLET STOVES

## Premium LINE

### P925 Frontal Glass



#### GENERAL CHARACTERISTICS

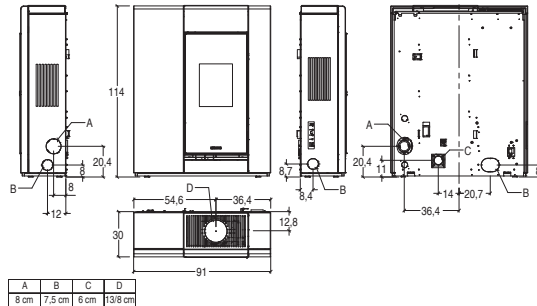
- Heating: Multifuoco System® with 3 speed levels, manually or automatically controlled. Ductable hot air
- Front ventilation: directional air vent
- Side ventilation: fixed air vent optional
- Natural Mode: yes
- Eco / Energy saving function: yes / yes
- Cladding / Top : majolica - steel / majolica - steel
- Rolling Top: top that slides
- Stove: airtight steel
- Firebox: steel - cast iron
- Smoke baffle plate / Brazier: cast iron / cast iron
- Design door: serigraphed glass
- Standard flue outlet position: rear / top / RH side
- Optional flue outlet: top central - Top balanced flue
- LCD remote control: optional
- WiFi module- Bluetooth for App MyPIAZZETTA: standard
- Control panel with digital controls: yes
- Power level: 4
- Room temperature probe for temperature mangement: standard
- Wireless probe for temperature management: optional
- Programmable timer-thermostat: 6 daily time period settings
- Humidifier: stainless steel
- Pellet level sensor: yes
- Regular brazier cleaning: yes
- Glass cleaning: continuous air flow
- Ash vacuum cleaner: standard
- Optional side air vents: right and left
- Installation : wall - flush
- Conveyor: steel
- Pellet Quality system function: yes
- Air combustion System function: yes

#### TECHNICAL DATA

• Model		P925 FG
• Type		SP124-04
• Room heating capacity (min - max)	m <sup>3</sup>	145 - 245
• Nominal heat output (min - max)	kW	4,0 - 8,5
• Thermal efficiency (min - max)	%	87,5 - 87,5
• Nominal consumption (min - max)	kg/h	0,9 - 2,0
• Hopper capacity	kg	20
• Stove weight	kg	165



	CODE	EURO
TOTAL PRICE		
Cladding	BIANCO CALCE BIANCO - NERO OPACO NERO OPACO	P06242930C P06242301C P06242160C
TOTAL PRICE		
Cladding (*)	BIANCO GRIGIO MARRONE TENNÉ ROSSO LAVA	P06242410C P062423B0C P06242450C
Stove	P925 FG	P07081100C
<b>Accessories on request</b>		
Wireless temperature probe kit	N08013024C	70,00
Fixed side warm air vent kit	-	-
LCD remote control	P08062070C	120,00
Flexible pipe Ø 6 cm for combustion air	N08011017	19,00 per linear metre



All dimensions in cm.

**P930 C**



**GENERAL CHARACTERISTICS**

- Heating: Multifuoco System® with 4 speed levels, manually or automatically controlled. Ductable hot air
- Multicomfort Plus: Standard
- Multicomfort: Standard
- Dual Power System: 4 speed levels, manually or automatically controlled
- Front ventilation: directional air vent
- Side ventilation: fixed air vent optional
- Natural Mode: yes
- Eco / Energy saving function: yes / yes
- Cladding / Top surface: majolica / steel - cast iron
- Stove: airtight steel
- Firebox: cast iron
- Smoke baffle plate / Brazier: cast iron / cast iron
- Door / Handle: cast iron with ceramic glass resistant up to 750°C / detachable
- Design door: painted steel
- Flue outlet position standard: left rear or upper
- LCD remote control: optional
- WiFi module- Bluetooth for App MyPIAZZETTA: standard
- Control panel with digital controls: yes
- Power level: 5
- Room temperature probe for temperature mangement: standard
- Wireless probe for temperature management: optional
- Programmable timer-thermostat: 6 daily time period settings
- Humidifier: stainless steel
- Pellet level sensor: yes
- Regular brazier cleaning: yes
- Glass cleaning: continuous air flow
- Outside air kit: standard
- Ash vacuum cleaner: standard
- Installation : wall - flush / corner
- Conveyor: steel
- Convection heating Majolica: yes
- Pellet Quality system function: yes
- Air combustion System function: yes

**TECHNICAL DATA**

- Model
- Type
- Room heating capacity (min - max)
- Nominal heat output (min - max)
- Thermal efficiency (min - max)
- Nominal consumption (min - max)
- Hopper capacity
- Stove weight

	REAR flue outlet	TOP flue outlet
	P930 C	P930 C TOP
	SP410-04	SP410-03
	185 - 315	185 - 315
	3,9 - 11,0	4,1 - 11,0
	90,0 - 90,7	91,5 - 91,8
	0,8 - 2,4	0,9 - 2,4
	26	21
	190	195



CODE EURO

VERSION	- REAR FLUE OUTLET - COMBUSTION AIR KIT, STANDARD		
<b>TOTAL STOVE</b>			<b>4.320,00</b>
Cladding	BIANCO	P06232300C	565,00
	NERO OPACO	P06232160C	565,00
	TERRA COTTA	P06232090C	565,00
<b>TOTAL STOVE</b>			<b>4.425,00</b>
Cladding (*)	BIANCO GRIGIO	P06232410C	670,00
	ROSSO LAVA	P06232450C	670,00

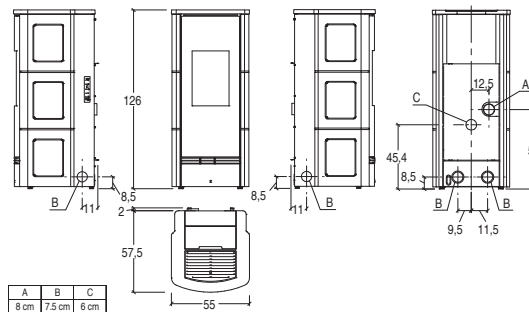
(\*) The company reserves 30 days for processing the order from the confirmation date.

Stove	P930 C REAR FLUE OUTLET	P07093800C	3.755,00
-------	-------------------------	------------	----------

**Accessories on request**

Wireless temperature probe kit	N08013024C	70,00
Fixed side warm air vent kit	P08062240C	35,00
Hot air ducting kit	N08019042C	35,00
Pellet loading kit	P08062770C	110,00
LCD remote control	P08062070C	120,00
Flexible pipe Ø 6 cm for combustion air	N08011017	19,00 per linear metre

**Version with rear flue outlet**



All dimensions in cm.

CODE EURO

VERSION	- TOP FLUE OUTLET - COMBUSTION AIR KIT, STANDARD		
<b>TOTAL STOVE</b>			<b>4.570,00</b>
Cladding	BIANCO	P06232300C	565,00
	NERO OPACO	P06232160C	565,00
	TERRA COTTA	P06232090C	565,00
<b>TOTAL STOVE</b>			<b>4.675,00</b>
Cladding (*)	BIANCO GRIGIO	P06232410C	670,00
	ROSSO LAVA	P06232450C	670,00

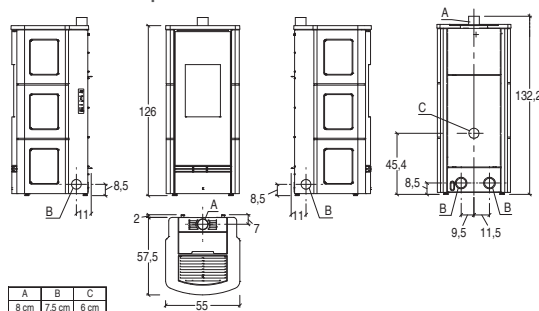
(\*) The company reserves 30 days for processing the order from the confirmation date.

Stove	P930 C TOP FLUE OUTLET	P07093810C	4.005,00
-------	------------------------	------------	----------

**Accessories on request**

Wireless temperature probe kit	N08013024C	70,00
Fixed side warm air vent kit	P08062240C	35,00
Hot air ducting kit	N08019042C	35,00
Pellet loading kit	P08062770C	110,00
Top coaxial flue kit Ø 80/130	N08010041C	335,00
Top-rear flue kit	P08062360C	110,00
LCD remote control	P08062070C	120,00
Flexible pipe Ø 6 cm for combustion air	N08011017	19,00 per linear metre

**Version with top flue outlet**



All dimensions in cm.



**P930 K**



**GENERAL CHARACTERISTICS**

- Heating: Multifuoco System® with 4 speed levels, manually or automatically controlled. Ductable hot air
- Multicomfort Plus: Standard
- Multicomfort: Standard
- Dual Power System: 4 speed levels, manually or automatically controlled
- Front ventilation: directional air vent
- Side ventilation: fixed air vent optional
- Natural Mode: yes
- Eco / Energy saving function: yes / yes
- Cladding / Top surface: majolica / steel - cast iron
- Stove: airtight steel
- Firebox: cast iron
- Smoke baffle plate / Brazier: cast iron / cast iron
- Door / Handle: cast iron with ceramic glass resistant up to 750°C / detachable
- Design door: painted steel
- Flue outlet position standard: left rear or upper
- LCD remote control: optional
- WiFi module- Bluetooth for App MyPIAZZETTA: standard
- Control panel with digital controls: yes
- Power level: 5
- Room temperature probe for temperature mangement: standard
- Wireless probe for temperature management: optional
- Programmable timer-thermostat: 6 daily time period settings
- Humidifier: stainless steel
- Pellet level sensor: yes
- Regular brazier cleaning: yes
- Glass cleaning: continuous air flow
- Outside air kit: standard
- Ash vacuum cleaner: standard
- Installation : wall - flush / corner
- Conveyor: steel
- Convection heating Majolica: yes
- Pellet Quality system function: yes
- Air combustion System function: yes

**TECHNICAL DATA**

- Model
- Type
- Room heating capacity (min - max)
- Nominal heat output (min - max)
- Thermal efficiency (min - max)
- Nominal consumption (min - max)
- Hopper capacity
- Stove weight

	REAR flue outlet	TOP flue outlet
	P930 K	P930 K TOP
	SP410-04	SP410-03
	185 - 315	185 - 315
	3,9 - 11,0	4,1 - 11,0
	90,0 - 90,7	91,5 - 91,8
	0,8 - 2,4	0,9 - 2,4
	26	21
	187	192



CODE EURO

VERSION	- REAR FLUE OUTLET - COMBUSTION AIR KIT, STANDARD		
TOTAL STOVE			<b>4.320,00</b>
Cladding	BIANCO	P06233300C	565,00
	NERO OPACO	P06233160C	565,00
	VERDE MIRTO	P06233250C	565,00
TOTAL STOVE			<b>4.425,00</b>
Cladding (*)	BIANCO GRIGIO	P06233410C	670,00
	ROSSO LAVA	P06233450C	670,00

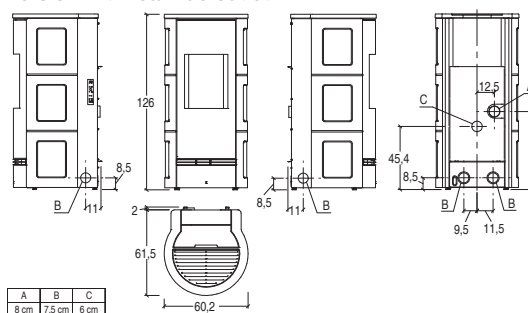
(\*) The company reserves 30 days for processing the order from the confirmation date.

Stove	P930 K REAR FLUE OUTLET	P07093700C	3.755,00
-------	-------------------------	------------	----------

**Accessories on request**

Wireless temperature probe kit	N08013024C	70,00
Fixed side warm air vent kit	P08062240C	35,00
Hot air ducting kit	N08019042C	35,00
Pellet loading kit	P08062770C	110,00
LCD remote control	P08062070C	120,00
Flexible pipe Ø 6 cm for combustion air	N08011017	19,00 per linear metre

**Version with rear flue outlet**



All dimensions in cm.

CODE EURO

VERSION	- TOP FLUE OUTLET - COMBUSTION AIR KIT, STANDARD		
TOTAL STOVE			<b>4.570,00</b>
Cladding	BIANCO	P06233300C	565,00
	NERO OPACO	P06233160C	565,00
	VERDE MIRTO	P06233250C	565,00
TOTAL STOVE			<b>4.675,00</b>
Cladding (*)	BIANCO GRIGIO	P06233410C	670,00
	ROSSO LAVA	P06233450C	670,00

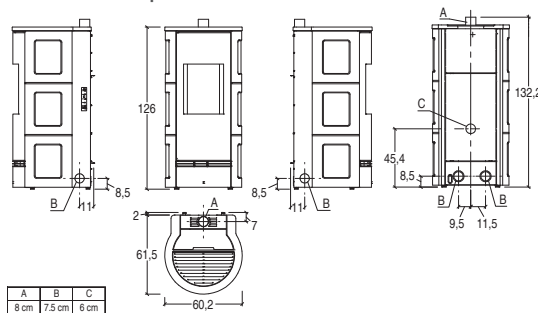
(\*) The company reserves 30 days for processing the order from the confirmation date.

Stove	P930 K TOP FLUE OUTLET	P07093710C	4.005,00
-------	------------------------	------------	----------

**Accessories on request**

Wireless temperature probe kit	N08013024C	70,00
Top-rear flue kit	P08062360C	110,00
Fixed side warm air vent kit	P08062240C	35,00
Hot air ducting kit	N08019042C	35,00
Pellet loading kit	P08062770C	110,00
Top coaxial flue kit Ø 80/130	N08010041C	335,00
LCD remote control	P08062070C	120,00
Flexible pipe Ø 6 cm for combustion air	N08011017	19,00 per linear metre

**Version with top flue outlet**



All dimensions in cm.

**P930 M**



**GENERAL CHARACTERISTICS**

- Heating: Multifuoco System® with 4 speed levels, manually or automatically controlled. Ductable hot air
- Multicomfort Plus: Standard
- Multicomfort: Standard
- Dual Power System: 4 speed levels, manually or automatically controlled
- Front ventilation: directional air vent
- Side ventilation: fixed air vent optional
- Natural Mode: yes
- Eco / Energy saving function: yes / yes
- Cladding / Top surface: majolica / steel - cast iron
- Stove: airtight steel
- Firebox: cast iron
- Smoke baffle plate / Brazier: cast iron / cast iron
- Door / Handle: cast iron with ceramic glass resistant up to 750°C / detachable
- Design door: painted steel
- Standard flue outlet position: rear left
- LCD remote control: optional
- WiFi module- Bluetooth for App MyPIAZZETTA: standard
- Control panel with digital controls: yes
- Power level: 5
- Room temperature probe for temperature mangement: standard
- Wireless probe for temperature management: optional
- Programmable timer-thermostat: 6 daily time period settings
- Humidifier: stainless steel
- Pellet level sensor: yes
- Regular brazier cleaning: yes
- Glass cleaning: continuous air flow
- Outside air kit: standard
- Ash vacuum cleaner: standard
- Installation : wall - flush / corner
- Conveyor: steel
- Convection heating Majolica: yes
- Pellet Quality system function: yes
- Air combustion System function: yes

**TECHNICAL DATA**

- Model
- Type
- Room heating capacity (min - max)
- Nominal heat output (min - max)
- Thermal efficiency (min - max)
- Nominal consumption (min - max)
- Hopper capacity
- Stove weight

	REAR flue outlet	TOP flue outlet
	P930 M	P930 M TOP
	SP410-04	SP410-03
		185 - 315
		4,1 - 11,0
		91,5 - 91,8
		0,9 - 2,4
		21
		195



CODE EURO

VERSION	- REAR FLUE OUTLET - COMBUSTION AIR KIT, STANDARD		
TOTAL STOVE			<b>4.320,00</b>
Cladding	BIANCO CALCE	P06189940C	565,00
	NERO OPACO	P06189160C	565,00
	TERRA COTTA	P06189090C	565,00
TOTAL STOVE			<b>4.425,00</b>
Cladding (*)	BIANCO GRIGIO	P06189410C	670,00
	ROSSO LAVA	P06189450C	670,00

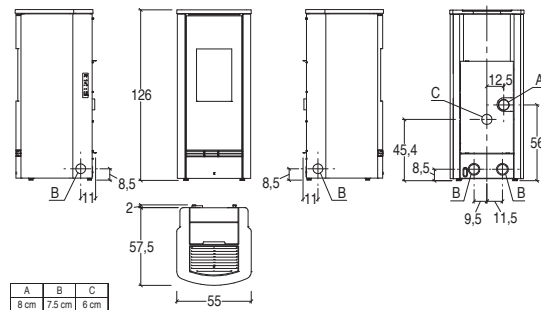
(\*) The company reserves 30 days for processing the order from the confirmation date.

Stove	P930 M REAR FLUE OUTLET	P07093800C	3.755,00
-------	-------------------------	------------	----------

**Accessories on request**

Wireless temperature probe kit	N08013024C	70,00
Fixed side warm air vent kit	P08062240C	35,00
Hot air ducting kit	N08019042C	35,00
Pellet loading kit	P08062770C	110,00
LCD remote control	P08062070C	120,00
Flexible pipe Ø 6 cm for combustion air	N08011017	19,00 per linear metre

**Version with rear flue outlet**



All dimensions in cm.

CODE EURO

VERSION	- TOP FLUE OUTLET - COMBUSTION AIR KIT, STANDARD		
TOTAL STOVE			<b>4.570,00</b>
Cladding	BIANCO CALCE	P06189940C	565,00
	NERO OPACO	P06189160C	565,00
	TERRA COTTA	P06189090C	565,00
TOTAL STOVE			<b>4.675,00</b>
Cladding (*)	BIANCO GRIGIO	P06189410C	670,00
	ROSSO LAVA	P06189450C	670,00

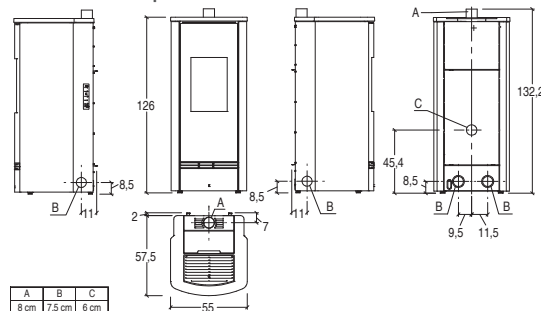
(\*) The company reserves 30 days for processing the order from the confirmation date.

Stove	P930 M TOP FLUE OUTLET	P07093810C	4.005,00
-------	------------------------	------------	----------

**Accessories on request**

Wireless temperature probe kit	N08013024C	70,00
Fixed side warm air vent kit	P08062240C	35,00
Hot air ducting kit	N08019042C	35,00
Pellet loading kit	P08062770C	110,00
Top coaxial flue kit Ø 80/130	N08010041C	335,00
Top-rear flue kit	P08062360C	110,00
LCD remote control	P08062070C	120,00
Flexible pipe Ø 6 cm for combustion air	N08011017	19,00 per linear metre

**Version with top flue outlet**



All dimensions in cm.

# PELLET STOVES

## Premium LINE

### P930 M STEEL



Available while stocks last.

#### GENERAL CHARACTERISTICS

- Heating: Multifuoco System® with 4 speed levels, manually or automatically controlled. Ductable hot air
- Multicomfort Plus: Standard
- Multicomfort: Standard
- Dual Power System: 4 speed levels, manually or automatically controlled
- Front ventilation: directional air vent
- Side ventilation: fixed air vent optional
- Natural Mode: yes
- Eco / Energy saving function: yes / yes
- Cladding / Top surface: steel / steel - cast iron
- Stove: airtight steel
- Firebox: cast iron
- Smoke baffle plate / Brazier: cast iron / cast iron
- Door / Handle: cast iron with ceramic glass resistant up to 750°C / detachable
- Design door: painted steel
- Standard flue outlet position: rear left
- LCD remote control: optional
- WiFi module- Bluetooth for App MyPIAZZETTA: standard
- Control panel with digital controls: yes
- Power level: 5
- Room temperature probe for temperature mangement: standard
- Wireless probe for temperature management: optional
- Programmable timer-thermostat: 6 daily time period settings
- Humidifier: stainless steel
- Pellet level sensor: yes
- Regular brazier cleaning: yes
- Glass cleaning: continuous air flow
- Outside air kit: standard
- Ash vacuum cleaner: standard
- Installation : wall - flush / corner
- Conveyor: steel
- Pellet Quality system function: yes
- Air combustion System function: yes

#### TECHNICAL DATA

- Model
- Type
- Room heating capacity (min - max)
- Nominal heat output (min - max)
- Thermal efficiency (min - max)
- Nominal consumption (min - max)
- Hopper capacity
- Stove weight

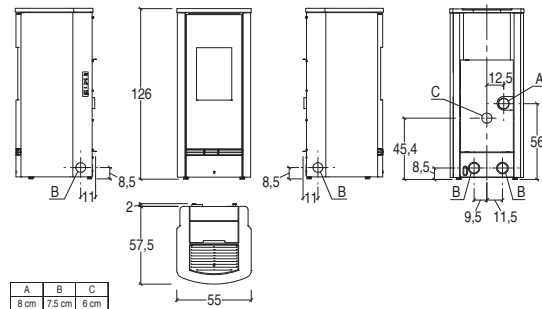
	REAR flue outlet	TOP flue outlet
P930 M STEEL	P930 M STEEL	P930 M TOP STEEL
	SP410-04	SP410-03
Room heating capacity (min - max)	m <sup>3</sup> 185 - 315	
Nominal heat output (min - max)	kW 3,9 - 11,0	4,1 - 11,0
Thermal efficiency (min - max)	% 90,0 - 90,7	91,5 - 91,8
Nominal consumption (min - max)	kg/h 0,8 - 2,4	0,9 - 2,4
Hopper capacity	kg 26	21
Stove weight	kg 190	195



CODE EURO

VERSION	- REAR FLUE OUTLET - COMBUSTION AIR KIT, STANDARD		
TOTAL STOVE			<b>4.070,00</b>
Cladding	BIANCO	P19930200C	315,00
	NERO	P19930210C	315,00
Stove	P930 M REAR FLUE OUTLET	P07093800C	3.755,00
<b>Accessories on request</b>			
	Wireless temperature probe kit	N08013024C	70,00
	Fixed side warm air vent kit	P08062240C	35,00
	Pellet loading kit	P08062770C	110,00
	LCD remote control	P08062070C	120,00
	Hot air ducting kit	N08019042C	35,00
	Flexible pipe Ø 6 cm for combustion air	N08011017C	19,00 per linear metre

#### Version with rear flue outlet

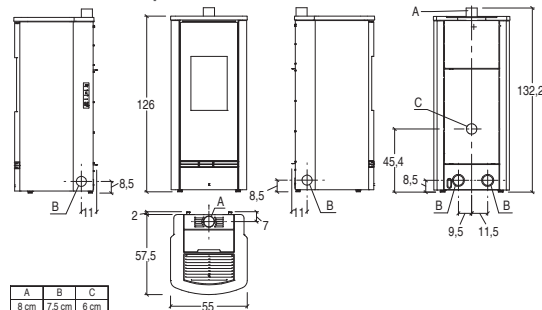


All dimensions in cm.

CODE EURO

VERSION	- TOP FLUE OUTLET - COMBUSTION AIR KIT, STANDARD		
TOTAL STOVE			<b>4.320,00</b>
Cladding	BIANCO	P19930200C	315,00
	NERO	P19930210C	315,00
Stove	P930 M TOP FLUE OUTLET	P07093810C	4.005,00
<b>Accessories on request</b>			
	Wireless temperature probe kit	N08013024C	70,00
	Top-rear flue kit	P08062360C	110,00
	Fixed side warm air vent kit	P08062240C	35,00
	Hot air ducting kit	N08019042C	35,00
	Pellet loading kit	P08062770C	110,00
	Top coaxial flue kit Ø 80/130	N08010041C	335,00
	LCD remote control	P08062070C	120,00
	Flexible pipe Ø 6 cm for combustion air	N08011017C	19,00 per linear metre

#### Version with top flue outlet



All dimensions in cm.

**P930 T**



**GENERAL CHARACTERISTICS**

- Heating: Multifuoco System® with 4 speed levels, manually or automatically controlled. Ductable hot air
- Multicomfort Plus: Standard
- Multicomfort: Standard
- Dual Power System: 4 speed levels, manually or automatically controlled
- Front ventilation: directional air vent
- Side ventilation: fixed air vent optional
- Natural Mode: yes
- Eco / Energy saving function: yes / yes
- Cladding / Top surface: majolica / steel - cast iron
- Stove: airtight steel
- Firebox: cast iron
- Smoke baffle plate / Brazier: cast iron / cast iron
- Door / Handle: cast iron with ceramic glass resistant up to 750°C / detachable
- Design door: painted steel
- Standard flue outlet position: rear left
- LCD remote control: optional
- WiFi module- Bluetooth for App MyPIAZZETTA: standard
- Control panel with digital controls: yes
- Power level: 5
- Room temperature probe for temperature mangement: standard
- Wireless probe for temperature management: optional
- Programmable timer-thermostat: 6 daily time period settings
- Humidifier: stainless steel
- Pellet level sensor: yes
- Regular brazier cleaning: yes
- Glass cleaning: continuous air flow
- Outside air kit: standard
- Ash vacuum cleaner: standard
- Installation : wall - flush / corner
- Conveyor: steel
- Convection heating Majolica: yes
- Pellet Quality system function: yes
- Air combustion System function: yes

**TECHNICAL DATA**

- Model
- Type
- Room heating capacity (min - max)
- Nominal heat output (min - max)
- Thermal efficiency (min - max)
- Nominal consumption (min - max)
- Hopper capacity
- Stove weight

	REAR flue outlet	TOP flue outlet
	P930 T	P930 T TOP
	SP410-04	SP410-03
	185 - 315	185 - 315
	3,9 - 11,0	4,1 - 11,0
	90,0 - 90,7	91,5 - 91,8
	0,8 - 2,4	0,9 - 2,4
	26	21
	187	192



CODE EURO

VERSION	- REAR FLUE OUTLET - COMBUSTION AIR KIT, STANDARD	
TOTAL STOVE		<b>4.320,00</b>
Cladding	BIANCO CALCE	P06188940C 565,00
	NERO OPACO	P06188160C 565,00
	TERRA COTTA	P06188090C 565,00

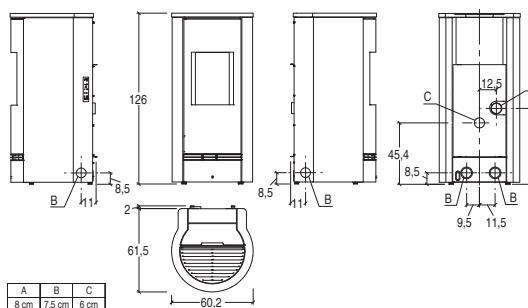
VERSION	- REAR FLUE OUTLET - COMBUSTION AIR KIT, STANDARD	
TOTAL STOVE		<b>4.425,00</b>
Cladding (*)	BIANCO GRIGIO	P06188410C 670,00
	ROSSO LAVA	P06188450C 670,00

(\*) The company reserves 30 days for processing the order from the confirmation date.

Stove	P930 T REAR FLUE OUTLET	P07093700C	3.755,00
-------	-------------------------	------------	----------

Accessories on request		
Wireless temperature probe kit	N08013024C	70,00
Fixed side warm air vent kit	P08062240C	35,00
Hot air ducting kit	N08019042C	35,00
Pellet loading kit	P08062770C	110,00
LCD remote control	P08062070C	120,00
Flexible pipe Ø 6 cm for combustion air	N08011017	19,00 per linear metre

**Version with rear flue outlet**



All dimensions in cm.

CODE EURO

VERSION	- TOP FLUE OUTLET - COMBUSTION AIR KIT, STANDARD	
TOTAL STOVE		<b>4.570,00</b>
Cladding	BIANCO CALCE	P06188940C 565,00
	NERO OPACO	P06188160C 565,00
	TERRA COTTA	P06188090C 565,00

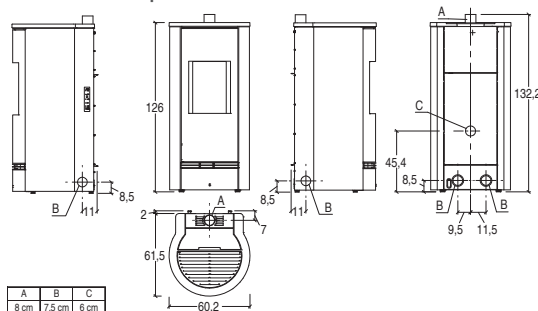
VERSION	- TOP FLUE OUTLET - COMBUSTION AIR KIT, STANDARD	
TOTAL STOVE		<b>4.675,00</b>
Cladding (*)	BIANCO GRIGIO	P06188410C 670,00
	ROSSO LAVA	P06188450C 670,00

(\*) The company reserves 30 days for processing the order from the confirmation date.

Stove	P930 T TOP FLUE OUTLET	P07093710C	4.005,00
-------	------------------------	------------	----------

Accessories on request		
Wireless temperature probe kit	N08013024C	70,00
Fixed side warm air vent kit	P08062240C	35,00
Hot air ducting kit	N08019042C	35,00
Pellet loading kit	P08062770C	110,00
Top coaxial flue kit Ø 80/130	N08010041C	335,00
Top-rear flue kit	P08062360C	110,00
LCD remote control	P08062070C	120,00
Flexible pipe Ø 6 cm for combustion air	N08011017	19,00 per linear metre

**Version with top flue outlet**



All dimensions in cm.

# PELLET STOVES

## Premium LINE

### P930 T STEEL



Available while stocks last.

#### GENERAL CHARACTERISTICS

- Heating: Multifuoco System® with 4 speed levels, manually or automatically controlled. Ductable hot air
- Multicomfort Plus: Standard
- Multicomfort: Standard
- Dual Power System: 4 speed levels, manually or automatically controlled
- Front ventilation: directional air vent
- Side ventilation: fixed air vent optional
- Natural Mode: yes
- Eco / Energy saving function: yes / yes
- Cladding / Top surface: steel / steel - cast iron
- Stove: airtight steel
- Firebox: cast iron
- Smoke baffle plate / Brazier: cast iron / cast iron
- Door / Handle: cast iron with ceramic glass resistant up to 750°C / detachable
- Design door: painted steel
- Standard flue outlet position: rear left
- LCD remote control: optional
- WiFi module- Bluetooth for App MyPIAZZETTA: standard
- Control panel with digital controls: yes
- Power level: 5
- Room temperature probe for temperature mangement: standard
- Wireless probe for temperature management: optional
- Programmable timer-thermostat: 6 daily time period settings
- Humidifier: stainless steel
- Pellet level sensor: yes
- Regular brazier cleaning: yes
- Glass cleaning: continuous air flow
- Outside air kit: standard
- Ash vacuum cleaner: standard
- Installation : wall - flush / corner
- Conveyor: steel
- Pellet Quality system function: yes
- Air combustion System function: yes

#### TECHNICAL DATA

- Model
- Type
- Room heating capacity (min - max)
- Nominal heat output (min - max)
- Thermal efficiency (min - max)
- Nominal consumption (min - max)
- Hopper capacity
- Stove weight

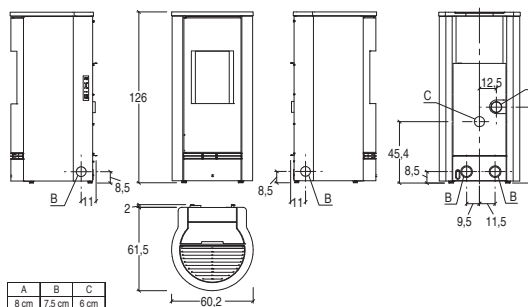
	REAR flue outlet	TOP flue outlet
P930 T STEEL	P930 T STEEL	P930 T TOP STEEL
SP410-04	SP410-03	SP410-03
m <sup>3</sup>	185 - 315	185 - 315
kW	3,9 - 11,0	4,1 - 11,0
%	90,0 - 90,7	91,5 - 91,8
kg/h	0,8 - 2,4	0,9 - 2,4
kg	26	21
kg	187	192



CODE EURO

VERSION	- REAR FLUE OUTLET - COMBUSTION AIR KIT, STANDARD	CODE	EURO
TOTAL STOVE			<b>4.070,00</b>
Cladding	BIANCO	P19930300C	315,00
	NERO	P19930310C	315,00
Stove	P930 T REAR FLUE OUTLET	P07093700C	3.755,00
<b>Accessories on request</b>			
	Wireless temperature probe kit	N08013024C	70,00
	Fixed side warm air vent kit	P08062240C	35,00
	Pellet loading kit	P08062770C	110,00
	LCD remote control	P08062070C	120,00
	Hot air ducting kit	N08019042C	35,00
	Flexible pipe Ø 6 cm for combustion air	N08011017C	19,00
			per linear metre

#### Version with rear flue outlet

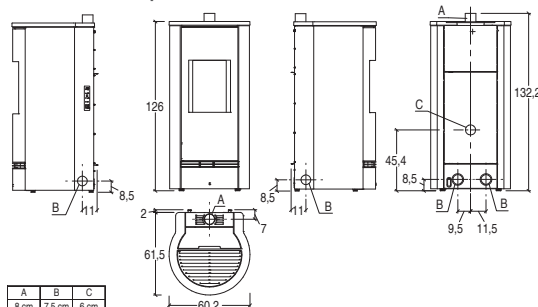


All dimensions in cm.

CODE EURO

VERSION	- TOP FLUE OUTLET - COMBUSTION AIR KIT, STANDARD	CODE	EURO
TOTAL STOVE			<b>4.320,00</b>
Cladding	BIANCO	P19930300C	315,00
	NERO	P19930310C	315,00
Stove	P930 T TOP FLUE OUTLET	P07093710C	4.005,00
<b>Accessories on request</b>			
	Top-rear flue kit	P08062360C	110,00
	Wireless temperature probe kit	N08013024C	70,00
	Fixed side warm air vent kit	P08062240C	35,00
	Hot air ducting kit	N08019042C	35,00
	Pellet loading kit	P08062770C	110,00
	Top coaxial flue kit Ø 80/130	N08010041C	335,00
	LCD remote control	P08062070C	120,00
	Flexible pipe Ø 6 cm for combustion air	N08011017C	19,00
			per linear metre

#### Version with top flue outlet



All dimensions in cm.

**P931 R**

CODE EURO



VERSION	- REAR FLUE OUTLET - COMBUSTION AIR KIT, STANDARD		
---------	--	--	--

TOTAL STOVE			<b>5.180,00</b>
Cladding	BIANCO	P06250300C	1.340,00
	CANAPA	P06250350C	1.340,00
	NERO OPACO	P06250160C	1.340,00
	VERDE MIRTO	P06250250C	1.340,00

TOTAL STOVE			<b>5.260,00</b>
Cladding (*)	BIANCO GRIGIO	P06250410C	1.420,00
	ROSSO LAVA	P06250450C	1.420,00

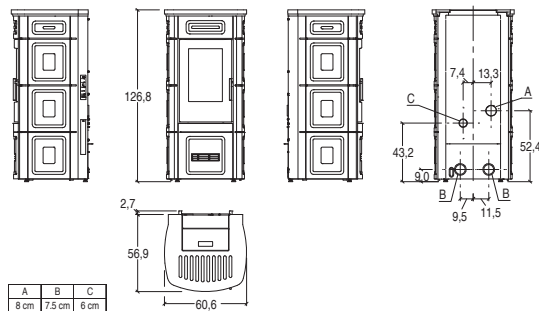
(\*) The company reserves 30 days for processing the order from the confirmation date.

Stove	P931 R REAR FLUE OUTLET	P07095100C	3.840,00
-------	-------------------------	------------	----------

<b>Accessories on request</b>			
Wireless temperature probe kit		N08013024C	70,00
Hot air ducting kit		N08019042C	35,00
LCD remote control		P08062070C	120,00
Flexible pipe Ø 6 cm for combustion air		N08011017	19,00 <small>per linear metre</small>

**GENERAL CHARACTERISTICS**

- Heating: Multifuoco System® with 4 speed levels, manually or automatically controlled. Ductable hot air
- Multicomfort Plus: Standard
- Multicomfort: Standard
- Dual Power System: 4 speed levels, manually or automatically controlled
- Front ventilation: directional air vent
- Natural Mode: yes
- Eco / Energy saving function: yes / yes
- Cladding / Top surface: majolica / majolica and steel
- Stove: airtight steel
- Firebox: cast iron
- Smoke baffle plate / Brazier: cast iron / cast iron
- Door / Handle: cast iron with self-cleaning ceramic glass resistant up to 750°C / steel with Nero finish
- Standard flue outlet position: rear left
- LCD remote control: optional
- WiFi module- Bluetooth for App MyPIAZZETTA: standard
- Control panel with digital controls: yes
- Power level: 5
- Room temperature probe for temperature management: standard
- Wireless probe for temperature management: optional
- Programmable timer-thermostat: 6 daily time period settings
- Humidifier: stainless steel
- Pellet level sensor: yes
- Regular brazier cleaning: yes
- Glass cleaning: continuous air flow
- Outside air kit: standard
- Ash vacuum cleaner: standard
- Installation : wall - flush / corner
- Convection heating Majolica: yes
- Pellet Quality system function: yes
- Air combustion System function: yes



All dimensions in cm.

**TECHNICAL DATA**

**REAR flue outlet**

• Model		P931 R
• Type		SP410-10
• Room heating capacity (min - max)	m <sup>3</sup>	185 - 315
• Nominal heat output (min - max)	kW	3,8 - 11,0
• Thermal efficiency (min - max)	%	90,2 - 91,5
• Nominal consumption (min - max)	kg/h	0,88 - 2,51
• Hopper capacity	kg	27,5
• Stove weight	kg	195





**LINE**



**GENERAL CHARACTERISTICS**

- Heating: Multifuoco System® with 3 speed levels, manually or automatically controlled. Ductable hot air
- Multicomfort Plus: Standard
- Multicomfort: Standard
- Front ventilation: fixed air vent
- Natural Mode: yes
- Eco / Energy saving function: yes / yes
- Cladding / Top surface: majolica / majolica and steel
- Stove: airtight steel
- Firebox: cast iron
- Smoke baffle plate / Brazier: cast iron / cast iron
- Door / Handle: cast iron with self-cleaning ceramic glass resistant up to 750°C / painted steel, detachable
- Standard flue outlet position: rear / top right
- Opzional flue: sop balanced flue
- LCD remote control: optional
- WiFi module- Bluetooth for App MyPIAZZETTA: standard
- Control panel with digital controls: yes
- Power level: 4
- Room temperature probe for temperature mangement: standard
- Wireless probe for temperature mangement: optional
- Programmable timer-thermostat: 6 daily time period settings
- Humidifier: stainless steel
- Pellet level sensor: yes
- Regular brazier cleaning: yes
- Glass cleaning: continuous air flow
- Ash vacuum cleaner: standard
- Installation: wall - corner wall-flush
- Covection heating Majolica: yes
- Pellet Quality system function: yes
- Air combustion System function: yes

**TECHNICAL DATA**

• Model		LINE
• Type		SP360-01
• Room heating capacity (min - max)	m <sup>3</sup>	150 - 260
• Nominal heat output (min - max)	kW	4,0 - 9,0
• Thermal efficiency (min - max)	%	88,9 - 90,3
• Nominal consumption (min - max)	kg/h	0,9 - 2,0
• Hopper capacity	kg	16
• Stove weight	kg	158



CODE EURO

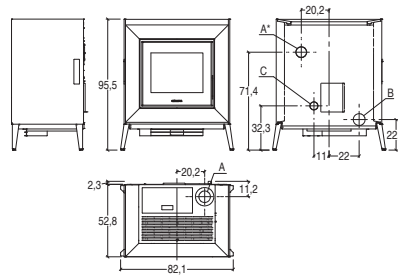
<b>TOTAL PRICE</b>		<b>5.035,00</b>	
Cladding	BIANCO ANTICO	P06360640C	865,00
	GRIGIO CERATO	P06360310C	865,00
	SAHARA	P06360220C	865,00
	TERRA COTTA	P06360090C	865,00

<b>TOTAL PRICE</b>		<b>5.155,00</b>	
Cladding	GIALLO ACCESO	P06360260C	985,00
	ROSSO LAVA	P06360450C	985,00

Stove	LINE SP360	P07083600C	4.170,00
-------	------------	------------	----------

**Accessories on request**

Wireless temperature probe kit	N08013024C	70,00
Hot air ducting kit	N08019042C	35,00
Top coaxial flue kit Ø 80/130	N08011038C	170,00
LCD remote control	P08062070C	120,00
Flexible pipe Ø 6 cm for combustion air	N08011017	19,00 per linear metre



All dimensions in cm.



**P934**



**GENERAL CHARACTERISTICS**

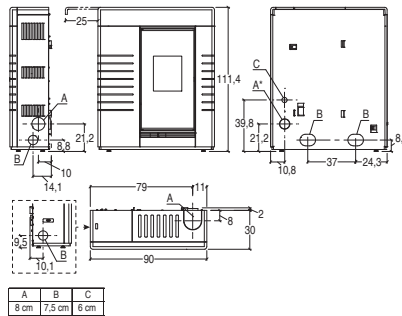
- Heating: Multifuoco System® with 3 speed levels, manually or automatically controlled. Ductable hot air
- Front ventilation: directional air vent
- Side ventilation: fixed air vent optional
- Natural Mode: yes
- Eco / Energy saving function: yes / yes
- Cladding / Top surface: majolica / majolica
- Rolling Top: top that slides
- Stove: steel
- Firebox: cast iron
- Smoke baffle plate / Brazier: cast iron / cast iron
- Door / Handle: cast iron / painted steel
- Design door: steel with screen-printed tempered glass
- Removable ash drawer: yes
- Standard flue outlet position: rear, right / right side / top, right
- LCD remote control: yes
- WiFi module- Bluetooth for App MyPIAZZETTA: optional
- Control panel with digital controls: yes
- Power level: 4
- Room temperature probe for temperature mangement: standard
- Programmable timer-thermostat: 6 daily time period settings
- Humidifier: stainless steel
- Pellet level sensor: yes
- Regular brazier cleaning: yes
- Glass cleaning: continuous air flow
- Ash vacuum cleaner: optional
- Optional side air vents: right and left
- Installation: wall - corner wall-flush

**TECHNICAL DATA**

• Model		P934
• Type		SL32-03
• Room heating capacity (min - max)	m³	145 - 245
• Nominal heat output (min - max)	kW	4,0 - 8,5
• Thermal efficiency (min - max)	%	87,5 - 87,5
• Nominal consumption (min - max)	kg/h	0,9 - 2,0
• Hopper capacity	kg	20
• Stove weight	kg	150



	CODE	EURO
<b>TOTAL PRICE</b>		<b>4.800,00</b>
Cladding	BIANCO	P06199300C 1.090,00
	BIANCO GRIGIO	P06199410C 1.090,00
	GRIGIO CERATO	P06199310C 1.090,00
	NERO OPACO	P06199160C 1.090,00
	ROSSO LAVA	P06199450C 1.090,00
	TERRA COTTA	P06199090C 1.090,00
Stove	P934	P07934000C 3.710,00
<b>Accessories on request</b>		
Fixed side warm air vent kit	P08062240C	35,00
Top coaxial flue kit	P08061780C	250,00
Wi-Fi module for Piazzetta App	N08013022C	350,00
Combustion air kit	N08010029C	100,00
Flexible pipe Ø 6 cm for combustion air	N08011017	19,00 per linear metre
Ash vacuum cleaner	N08019040C	100,00



All dimensions in cm.

**P939**



**GENERAL CHARACTERISTICS**

- Heating: Multifuoco System® with 4 speed levels, manually or automatically controlled. Ductable hot air
- Dual Power System: 4 speed levels, manually or automatically controlled
- Front ventilation: directional air vent
- Side ventilation: fixed air vent optional
- Natural Mode: yes
- Eco / Energy saving function: yes / yes
- Cladding / Top surface: majolica / majolica
- Rolling Top: top that slides
- Stove: steel
- Firebox: cast iron
- Smoke baffle plate / Brazier: cast iron / cast iron
- Door / Handle: cast iron / steel
- Design door: tempered glass
- Removable ash drawer: yes
- Standard flue outlet position: rear right - right side
- Optional flue outlet: top right
- LCD remote control: yes
- WiFi module- Bluetooth for App MyPIAZZETTA: optional
- Control panel with digital controls: yes
- Power level: 5
- Room temperature probe for temperature mangement: standard
- Programmable timer-thermostat: 6 daily time period settings
- Humidifier: stainless steel
- Pellet level sensor: yes
- Regular brazier cleaning: yes
- Glass cleaning: continuous air flow
- Ash vacuum cleaner: optional
- Optional side air vents: right and left
- Installation: wall - corner wall-flush

**TECHNICAL DATA**

• Model		P939
• Type		SP356-01
• Room heating capacity (min - max)	m <sup>3</sup>	175 - 300
• Nominal heat output (min - max)	kW	4,1 - 10,5
• Thermal efficiency (min - max)	%	88,5 - 90,3
• Nominal consumption (min - max)	kg/h	0,9 - 2,4
• Hopper capacity	kg	25
• Stove weight	kg	210



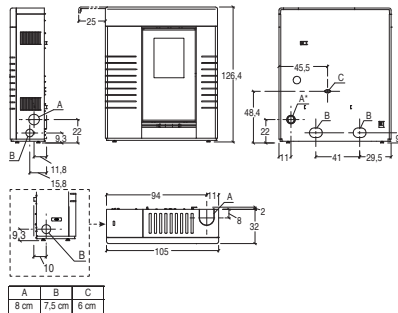
CODE EURO

TOTAL PRICE		<b>5.500,00</b>	
Cladding	BIANCO	P06168300C	1.235,00
	BIANCO GRIGIO	P06168410C	1.235,00
	GRIGIO CERATO	P06168310C	1.235,00
	NERO OPACO	P06168160C	1.235,00
	ROSSO LAVA	P06168450C	1.235,00
	TERRA COTTA	P06168090C	1.235,00

Stove	P939	P07939000C	4.265,00
-------	------	------------	----------

**Accessories on request**

Fixed side warm air vent kit	P08062240C	35,00
Top right-hand flue kit	P08061540C	230,00
Top coaxial flue kit	P08061770C	330,00
Wi-Fi module for Piazzetta App	N08013022C	350,00
Combustion air kit	N08010009C	65,00
Flexible pipe Ø 6 cm for combustion air	N08011017	19,00 per linear metre
Ash vacuum cleaner	N08019040C	100,00



All dimensions in cm.

**P945 C**



**GENERAL CHARACTERISTICS**

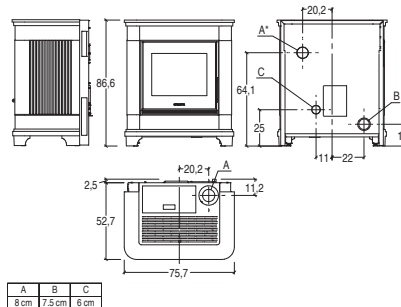
- Heating: Multifuoco System® with 3 speed levels, manually or automatically controlled. Ductable hot air
- Multicomfort Plus: Standard
- Multicomfort: Standard
- Front ventilation: directional air vent
- Natural Mode: yes
- Eco / Energy saving function: yes / yes
- Cladding / Top surface: majolica / majolica and steel
- Stove: airtight steel
- Firebox: steel - cast iron
- Smoke baffle plate / Brazier: cast iron / cast iron
- Door / Handle: cast iron with self-cleaning ceramic glass resistant up to 750°C / painted steel, detachable
- Standard flue outlet position: rear / top right
- Opzional flue: sop balanced flue
- LCD remote control: optional
- WiFi module- Bluetooth for App MyPIAZZETTA: standard
- Power level: 4
- Room temperature probe for temperature mangement: standard
- Wireless probe for temperature management: optional
- Programmable timer-thermostat: 6 daily time period settings
- Humidifier: stainless steel
- Pellet level sensor: yes
- Regular brazier cleaning: yes
- Glass cleaning: continuous air flow
- Ash vacuum cleaner: standard
- Installation: wall - corner wall-flush
- Convection heating Majolica: yes
- Pellet Quality system function: yes
- Air combustion System function: yes

**TECHNICAL DATA**

• Model		P945 C
• Type		SF360-01
• Room heating capacity (min - max)	m <sup>3</sup>	150 - 260
• Nominal heat output (min - max)	kW	4,0 - 9,0
• Thermal efficiency (min - max)	%	88,9 - 90,3
• Nominal consumption (min - max)	kg/h	0,9 - 2,0
• Hopper capacity	kg	16
• Stove weight	kg	149



		CODE	EURO
<b>TOTAL PRICE</b>			<b>5.565,00</b>
Cladding	BIANCO	P06238300C	1.360,00
	CANAPA	P06238350C	1.360,00
	NERO OPACO	P06238160C	1.360,00
	VERDE MIRTO	P06238250C	1.360,00
<b>TOTAL PRICE</b>			<b>5.645,00</b>
Cladding	BIANCO GRIGIO	P06238410C	1.440,00
	ROSSO LAVA	P06238450C	1.440,00
Stove	P945 C	P07945000C	4.205,00
<b>Accessories on request</b>			
	Wireless temperature probe kit	N08013024C	70,00
	Hot air ducting kit	N08019042C	35,00
	LCD remote control	P08062070C	120,00
	Top coaxial flue kit	N08011038C	170,00
	Flexible pipe Ø 6 cm for combustion air	N08011017	19,00 <small>per linear metre</small>



All dimensions in cm.

# PELLET STOVES

## Premium LINE

### P945 TOP STEEL



#### GENERAL CHARACTERISTICS

- Heating: Multifuoco System® with 3 speed levels, manually or automatically controlled. Ductable hot air
- Multicomfort Plus: Standard
- Multicomfort: Standard
- Front ventilation: fixed air vent
- Natural Mode: yes
- Eco / Energy saving function: yes / yes
- Cladding / Top surface: steel / steel
- Stove: airtight steel
- Firebox: steel - cast iron
- Smoke baffle plate / Brazier: cast iron / cast iron
- Door / Handle: cast iron with self-cleaning ceramic glass resistant up to 750°C / painted steel, detachable
- Standard flue outlet position: top - top balanced flue
- Top coaxial flue outlet: optional
- LCD remote control: optional
- WiFi module- Bluetooth for App MyPIAZZETTA: standard
- Control panel with digital controls: yes
- Power level: 4
- Room temperature probe for temperature management: standard
- Wireless probe for temperature management: optional
- Programmable timer-thermostat: 6 daily time period settings
- Humidifier: stainless steel
- Pellet level sensor: yes
- Regular brazier cleaning: yes
- Glass cleaning: continuous air flow
- Ash vacuum cleaner: standard
- Installation: wall - corner wall-flush
- Pellet Quality system function: yes
- Air combustion System function: yes

#### TECHNICAL DATA

		P945 TOP STEEL
• Model		SP360-01
• Type		150 - 260
• Room heating capacity (min - max)	m <sup>3</sup>	4,0 - 9,0
• Nominal heat output (min - max)	kW	88,9 - 90,3
• Thermal efficiency (min - max)	%	0,9 - 2,0
• Nominal consumption (min - max)	kg/h	15,5
• Hopper capacity	kg	135
• Stove weight	kg	



TOP STEEL

CODE EURO

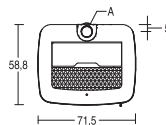
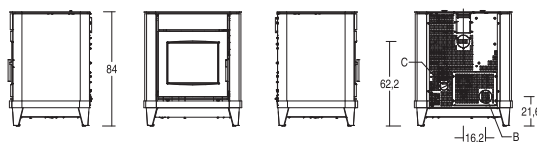
TOTAL PRICE INCL. FEET KIT NERO		<b>4.700,00</b>	
Firebox with cladding	BIANCO	P07945010C	4.555,00
	CORTEN	P07945020C	4.555,00
	NERO	P07945030C	4.555,00
Essential kit	Feet kit Nero	N08019058C	145,00

CODE EURO

TOTAL PRICE INCL. FEET KIT WOOD FINISH		<b>5.015,00</b>	
Firebox with cladding	BIANCO	P07945010C	4.555,00
	CORTEN	P07945020C	4.555,00
	NERO	P07945030C	4.555,00
Essential kit	Feet kit Wood finish	N08019059C	460,00

#### Accessories on request

Wireless temperature probe kit	N08013024C	70,00
RH Display Support kit	N08013035C	65,00
Hot air ducting kit	N08019042C	35,00
LCD remote control	P08062070C	120,00
Flexible pipe Ø 6 cm for combustion air	N08011017	19,00 per linear metre



A	B	C
8 cm	73 cm	8 cm

All dimensions in cm.



# Trend Plus LINE

## PELLET STOVES

Data charts . . . . . 106

P112 T . . . . . 107

P112 T TOP . . . . . 108

P122 T . . . . . 109

P122 T TOP . . . . . 110

Accessories . . . . . 125

# PELLET-BURNING STOVES Trend Plus LINE

## Data charts



Technical data	Units	P112 T	P112 T TOP	P122 T	P122 T TOP
Forced ventilation		yes	yes	yes	yes
Ductable		yes	yes	yes	yes
Natural convection		yes	yes	yes	yes
Hermetic		yes	yes	yes	yes
Oven		-	-	-	-
Model		P112 T	P112 T TOP	P122 T	P122 T TOP
Type		SP450-12A	SP450-11A	SP450-14A	SP450-17A
Energy efficiency class		A+	A+	A+	A+
Room heating capacity *	m <sup>3</sup>	145 - 245	145 - 245	145 - 245	145 - 245
Nominal heat output (min - max)	kW	2,8 - 6,0	2,8 - 6,0	3,3 - 8,5	3,4 - 8,5
Thermal efficiency (min - max)	%	≥ 91 - ≥ 91	≥ 92 - ≥ 92	≥ 91 - ≥ 91	92 - 93
Nominal consumption (min - max)	kg/h	0,63 - 1,37	0,63 - 1,37	0,75 - 1,92	0,77 - 1,89
Standard flue outlet Ø	cm	8	8	8	8
Hopper capacity	kg	18	18	15,5	15,5
Dimensions W x D x H	cm	53,5 x 53,5 x 105,5	53,5 x 53,5 x 105,5	49,2 x 53 x 112,2	49,2 x 53 x 112,2
Weight	kg	112	112	165	165
Oven W x D x H		-	-	-	-
Heating		Multifuoco System with lower front warm air outlet, ductable / Sweet Air Mode, upper front ventilation system	Multifuoco System with lower front warm air outlet, ductable / Sweet Air Mode, upper front ventilation system	Multifuoco System with lower front warm air outlet, ductable / Sweet Air Mode, upper front ventilation system	Multifuoco System with lower front warm air outlet, ductable / Sweet Air Mode, upper front ventilation system
Dual Power System		-	-	-	-
Front ventilation		-	-	-	-
Side ventilation		-	-	-	-
Natural Mode		all fans turned off	all fans turned off	all fans turned off	all fans turned off
Eco / Energy Saving function		yes / yes	yes / yes	yes / yes	yes / yes
Cladding / Top surface		steel / steel	steel / steel	steel / steel	steel / steel
Rolling Top		-	-	-	-
Stove		airtight, steel	airtight, steel	airtight, steel	airtight, steel
Firebox		Aluker®	Aluker®	Aluker®	Aluker®
Smoke baffle plate / Brazier		cast iron / cast iron cast iron with self-cleaning ceramic glass resistant up to 750°C / steel with Nero finish	cast iron / cast iron cast iron with self-cleaning ceramic glass resistant up to 750°C / steel with Nero finish	cast iron / cast iron cast iron with self-cleaning ceramic glass resistant up to 750°C / steel with Nero finish	cast iron / cast iron cast iron with self-cleaning ceramic glass resistant up to 750°C / steel with Nero finish
Door / Handle		-	-	-	-
Removable ash drawer		yes	yes	yes	yes
Ash tray		-	-	-	-
Oven		-	-	-	-
Standard flue outlet position		rear	top	LH rear	top
Optional flue outlet		-	-	-	-
LCD remote control		standard	standard	standard	standard
Display with digital controls		yes	yes	yes	yes
Power level		5	5	5	5
Ambient probe for temperature control		standard	standard	standard	standard
Programmable timer-thermostat		6 daily time frames	6 daily time frames	6 daily time frames	6 daily time frames
Humidifier		-	-	-	-
Pellet level sensor		yes	yes	yes	yes
Brazier cleaning intervals		yes	yes	yes	yes
Glass cleaning system		continuous air flow	continuous air flow	continuous air flow	continuous air flow
WiFi module- Bluetooth for App MyPIAZZETTA		standard	standard	standard	standard
Ash vacuum cleaner		optional	optional	optional	optional
Optional remote control		-	-	-	-
Optional side air vents		-	-	-	-
Optional directional front air vents		-	-	-	-
Installation		wall - corner	wall - corner	wall - corner	wall - corner

\* Calculated on the basis of nominal heat output, referring to rooms with a heating requirement between 0.060 and 0.035 kW per m<sup>3</sup>. We recommend always contacting a heating engineer for the final calculations.

Data obtained under laboratory conditions using pellets with heat production rated at greater than or equal to 4.9 kWh/kg. Consumption varies according to the dimensions and type of pellets used.



**P112 T**

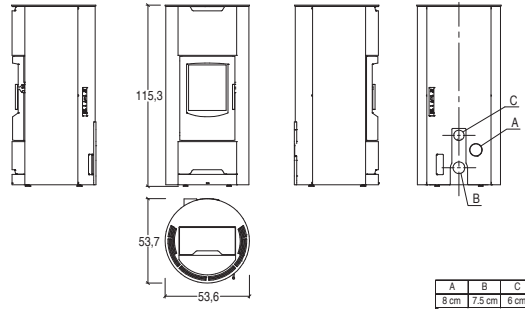


CODE EURO

VERSION	- REAR FLUE OUTLET - COMBUSTION AIR KIT, STANDARD	
TOTAL STOVE	<b>3.480,00</b>	
Firebox with cladding	BIANCO	P07112510C 3.480,00
	CORTEN	P07112520C 3.480,00
	NERO	P07112530C 3.480,00
<b>Accessories on request</b>		
Wireless temperature probe kit	N08013024C	70,00
Hot air ducting kit	N08019042C	35,00
Flexible pipe Ø 6 cm for combustion air	N08011017	19,00 <small>per linear metre</small>
Ash vacuum cleaner	N08019040C	100,00

**GENERAL CHARACTERISTICS**

- Heating: Multifuoco System with lower front warm air outlet, ductable / Sweet Air Mode, upper front ventilation system
- Lower front ventilation: fixed air vent
- Upper front ventilation: fixed slit
- Natural Mode: all fans turned off
- Eco / Energy saving function: yes / yes
- Cladding / Top surface: steel / steel
- Stove: airtight steel
- Firebox: Aluiker®
- Smoke baffle plate / Brazier: cast iron / cast iron
- Door / Handle: cast iron with self-cleaning ceramic glass resistant up to 750°C / steel with Nero finish
- Removable ash drawer: yes
- Standard flue outlet position: rear
- LCD remote control: standard
- WiFi module- Bluetooth for App MyPIAZZETTA: standard
- Control panel with digital controls: yes
- Power level: 5
- Room temperature probe for temperature management: standard
- Wireless probe for temperature management: optional
- Programmable timer-thermostat: 6 daily time period settings
- Pellet level sensor: yes
- Regular brazier cleaning: yes
- Glass cleaning: continuous air flow
- Ash vacuum cleaner: optional
- Installation: wall - corner
- Pellet Quality system function: yes
- Air combustion System function: yes



All dimensions in cm.

**TECHNICAL DATA \***

		REAR flue outlet
• Model		P112 T
• Type		SP450-12A
• Room heating capacity (min - max)	m³	145 - 245
• Nominal heat output (min - max)	kW	2,8 - 6,0
• Thermal efficiency (min - max)	%	≥ 91 - ≥ 91
• Nominal consumption (min - max)	kg/h	0,63 - 1,37
• Hopper capacity	kg	18
• Stove weight	kg	112



\* Product currently being certified.

**P112 T TOP**

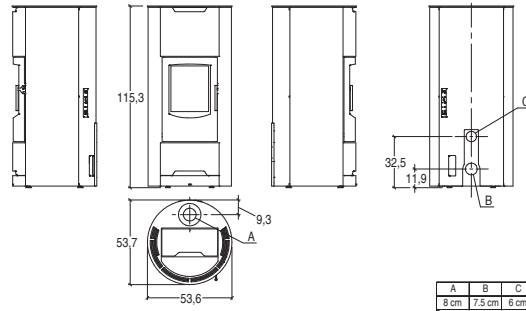


CODE EURO

VERSION	- TOP FLUE OUTLET - COMBUSTION AIR KIT, STANDARD	
TOTAL STOVE	<b>3.600,00</b>	
Firebox with cladding	BIANCO	P07112010C 3.600,00
	CORTEN	P07112020C 3.600,00
	NERO	P07112030C 3.600,00
<b>Accessories on request</b>		
Wireless temperature probe kit	N08013024C	70,00
Hot air ducting kit	N08019042C	35,00
Flexible pipe Ø 6 cm for combustion air	N08011017	19,00 <small>per linear metre</small>
Ash vacuum cleaner	N08019040C	100,00

**GENERAL CHARACTERISTICS**

- Heating: Multifuoco System with lower front warm air outlet, ductable / Sweet Air Mode, upper front ventilation system
- Lower front ventilation: fixed air vent
- Upper front ventilation: fixed slit
- Natural Mode: all fans turned off
- Eco / Energy saving function: yes / yes
- Cladding / Top surface: steel / steel
- Stove: airtight steel
- Firebox: Aluker®
- Smoke baffle plate / Brazier: cast iron / cast iron
- Door / Handle: cast iron with self-cleaning ceramic glass resistant up to 750°C / steel with Nero finish
- Removable ash drawer: yes
- Standard flue outlet position: top
- LCD remote control: standard
- WiFi module- Bluetooth for App MyPIAZZETTA: standard
- Control panel with digital controls: yes
- Power level: 5
- Room temperature probe for temperature management: standard
- Wireless probe for temperature management: optional
- Programmable timer-thermostat: 6 daily time period settings
- Pellet level sensor: yes
- Regular brazier cleaning: yes
- Glass cleaning: continuous air flow
- Ash vacuum cleaner: optional
- Installation: wall - corner
- Pellet Quality system function: yes
- Air combustion System function: yes



All dimensions in cm.

**TECHNICAL DATA \***

		TOP flue outlet
• Model		P112 T TOP
• Type		SP450-11A
• Room heating capacity (min - max)	m³	145 - 245
• Nominal heat output (min - max)	kW	2,8 - 6,0
• Thermal efficiency (min - max)	%	≥ 92 - ≥ 92
• Nominal consumption (min - max)	kg/h	0,63 - 1,37
• Hopper capacity	kg	18
• Stove weight	kg	112



\* Product currently being certified.

**P122 T**

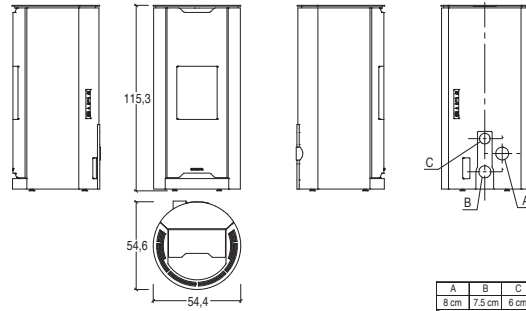


CODE EURO

VERSION	- REAR FLUE OUTLET - COMBUSTION AIR KIT, STANDARD	
TOTAL STOVE	<b>3.480,00</b>	
Firebox with cladding	BIANCO	P07122510C 3.480,00
	CORTEN	P07122520C 3.480,00
	NERO	P07122530C 3.480,00
<b>Accessories on request</b>		
Wireless temperature probe kit	N08013024C	70,00
Hot air ducting kit	N08019042C	35,00
Pellet loading kit	P08062760C	110,00
Flexible pipe Ø 6 cm for combustion air	N08011017	19,00 per linear metre
Ash vacuum cleaner	N08019040C	100,00

**GENERAL CHARACTERISTICS**

- Heating: Multifuoco System with lower front warm air outlet, ductable / Sweet Air Mode, upper front ventilation system
- Lower front ventilation: fixed air vent
- Upper front ventilation: fixed slit
- Natural Mode: all fans turned off
- Eco / Energy saving function: yes / yes
- Cladding / Top surface: steel / steel
- Stove: airtight steel
- Firebox: Aluiker®
- Smoke baffle plate / Brazier: cast iron / cast iron
- Door / Handle: cast iron with self-cleaning ceramic glass resistant up to 750°C / steel with Nero finish
- Removable ash drawer: yes
- Standard flue outlet position: rear left
- LCD remote control: standard
- WiFi module- Bluetooth for App MyPIAZZETTA: standard
- Control panel with digital controls: yes
- Power level: 5
- Room temperature probe for temperature management: standard
- Wireless probe for temperature management: optional
- Programmable timer-thermostat: 6 daily time period settings
- Pellet level sensor: yes
- Regular brazier cleaning: yes
- Glass cleaning: continuous air flow
- Ash vacuum cleaner: optional
- Installation: wall - corner
- Pellet Quality system function: yes
- Air combustion System function: yes



All dimensions in cm.

**TECHNICAL DATA \***

• Model		P122 T
• Type		SP450-14A
• Room heating capacity (min - max)	m <sup>3</sup>	145 - 245
• Nominal heat output (min - max)	kW	3,3 - 8,5
• Thermal efficiency (min - max)	%	≥ 91 - ≥ 91
• Nominal consumption (min - max)	kg/h	0,75 - 1,92
• Hopper capacity	kg	15,5
• Stove weight	kg	165

**REAR flue outlet**



\* Product currently being certified.

**P122 T TOP**

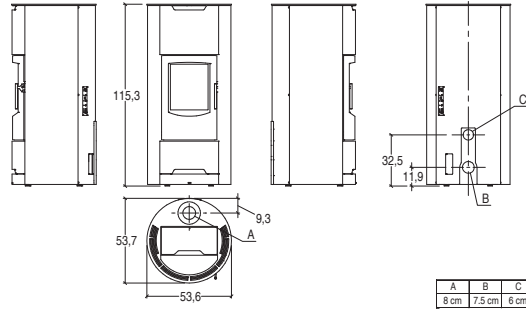


CODE EURO

VERSION	- TOP FLUE OUTLET - COMBUSTION AIR KIT, STANDARD	
TOTAL STOVE	<b>3.600,00</b>	
Firebox with cladding	BIANCO	P07122010C 3.600,00
	CORTEN	P07122020C 3.600,00
	NERO	P07122030C 3.600,00
<b>Accessories on request</b>		
Wireless temperature probe kit	N08013024C	70,00
Hot air ducting kit	N08019042C	35,00
Pellet loading kit	P08062760C	110,00
Flexible pipe Ø 6 cm for combustion air	N08011017	19,00 per linear metre
Ash vacuum cleaner	N08019040C	100,00

**GENERAL CHARACTERISTICS**

- Heating: Multifuoco System with lower front warm air outlet, ductable / Sweet Air Mode, upper front ventilation system
- Lower front ventilation: fixed air vent
- Upper front ventilation: fixed slit
- Natural Mode: all fans turned off
- Eco / Energy saving function: yes / yes
- Cladding / Top surface: steel / steel
- Stove: airtight steel
- Firebox: Aluker®
- Smoke baffle plate / Brazier: cast iron / cast iron
- Door / Handle: cast iron with self-cleaning ceramic glass resistant up to 750°C / steel with Nero finish
- Removable ash drawer: yes
- Standard flue outlet position: top
- LCD remote control: standard
- WiFi module- Bluetooth for App MyPIAZZETTA: standard
- Control panel with digital controls: yes
- Power level: 5
- Room temperature probe for temperature management: standard
- Wireless probe for temperature management: optional
- Programmable timer-thermostat: 6 daily time period settings
- Pellet level sensor: yes
- Regular brazier cleaning: yes
- Glass cleaning: continuous air flow
- Ash vacuum cleaner: optional
- Installation: wall - corner
- Pellet Quality system function: yes
- Air combustion System function: yes



All dimensions in cm.

**TECHNICAL DATA**

		TOP flue outlet
• Model		P122 T TOP
• Type		SP450-17A
• Room heating capacity (min - max)	m³	145 - 245
• Nominal heat output (min - max)	kW	3,4 - 8,5
• Thermal efficiency (min - max)	%	92 - 93
• Nominal consumption (min - max)	kg/h	0,77 - 1,89
• Hopper capacity	kg	15,5
• Stove weight	kg	165



# Trend LINE

## PELLET STOVES

Data charts . . . . .	112
P110 T . . . . .	115
P120 . . . . .	116
P120 M . . . . .	117
P120 T . . . . .	118
P121 T . . . . .	119
P130 . . . . .	120
P130 T . . . . .	121
P136 . . . . .	122
P136 Hermetic . . . . .	123
P137 . . . . .	124
Accessories . . . . .	125

**Data charts**


Technical data	Units	P120	P120 M
Forced ventilation		yes	yes
Ductable		yes	yes
Natural convection		yes	yes
Hermetic		yes	yes
Oven		-	-
Model		P120	P120 M
Type		SP400-05	SP400-05
Energy efficiency class		A+	A+
Room heating capacity *	m <sup>3</sup>	145 - 245	145 - 245
Nominal heat output (min - max)	kW	3,4 - 8,5	3,4 - 8,5
Thermal efficiency (min - max)	%	89,4 - 90,6	89,4 - 90,6
Nominal consumption (min - max)	kg/h	0,7 - 1,9	0,7 - 1,9
Standard flue outlet Ø	cm	8	8
Hopper capacity	kg	18	18
Dimensions W x D x H	cm	50,4 x 51,7 x 112,2	51,6 x 49,7 x 112,2
Weight	kg	105	110
Oven W x D x H		-	-
Heating		Multifuoco System®, automatically controlled. Ductable hot air	Multifuoco System®, automatically controlled. Ductable hot air
Trend Power		-	-
Front ventilation		fixed outlet	fixed outlet
Lower front ventilation		-	-
Upper front ventilation		-	-
Side ventilation		fixed air vent RH-LH optional	fixed air vent RH-LH optional
Natural Mode		yes	yes
Eco / Energy Saving function		yes / yes	yes / yes
Cladding / Top surface		steel / majolica and steel	steel / majolica and steel
Rolling Top		-	-
Stove		airtight, steel	airtight, steel
Firebox		cast iron	steel - cast iron
Smoke baffle plate / Brazier		cast iron / cast iron	cast iron / cast iron
Door / Handle		cast iron with self-cleaning ceramic glass resistant up to 750°C / steel with Nero finish	cast iron with self-cleaning ceramic glass resistant up to 750°C / steel with Nero finish
Removable ash drawer		-	-
Ash tray		-	-
Oven		-	-
Standard flue outlet position		LH rear	LH rear
Optional flue outlet		top - top coaxial - LH side	top - top coaxial - LH side
LCD remote control		-	-
Display with digital controls		yes	yes
Power level		5	5
Ambient probe for temperature control		standard	standard
Programmable timer-thermostat		6 daily time frames	6 daily time frames
Humidifier		optional	optional
Pellet level indicator		yes	yes
Brazier cleaning intervals		yes	yes
Glass cleaning system		continuous air flow	continuous air flow
WiFi module- Bluetooth for App MyPIAZZETTA		standard	standard
Ash vacuum cleaner		standard	standard
Optional remote control		-	-
Optional side air vents		-	-
Optional directional front air vents		-	-
Installation		wall - corner	wall - corner

\* Calculated on the basis of nominal heat output, referring to rooms with a heating requirement between 0.060 and 0.035 kW per m<sup>3</sup>. We recommend always contacting a heating engineer for the final calculations.

# PELLET-BURNING STOVES TrendLINE

## Data charts



P120 T	P130
yes	yes
yes	yes
yes	yes
yes	yes
-	-
P120 T	P130
SP400-05	SP410-05
A+	A+
145 - 245	185 - 315
3,4 - 8,5	4,0 - 11,0
89,4 - 90,6	90,0 - 91,0
0,7 - 1,9	0,9 - 2,5
8	8
18	27
55 x 54,5 x 112,2	54,2 x 55,7 x 123
110	138
-	-
Multifuoco System®, automatically controlled. Ductable hot air	Multifuoco System®, manually or automatically controlled. Ductable hot air
-	3 speed levels, manually controlled
fixed outlet	fixed outlet
-	-
fixed air vent RH-LH optional	fixed air vent RH-LH optional
yes	yes
yes / yes	yes / yes
steel / majolica and steel	steel / majolica and steel
-	-
airtight, steel	airtight, steel
cast iron	cast iron
cast iron / cast iron	cast iron / cast iron
cast iron with self-cleaning ceramic glass resistant up to 750°C / steel with Nero finish	cast iron with self-cleaning ceramic glass resistant up to 750°C / steel with Nero finish
-	-
-	-
LH rear	LH rear
top - top coaxial - LH side	top - top coaxial - LH side
-	-
yes	yes
5	5
standard	standard
6 daily time frames	6 daily time frames
optional	optional
yes	yes
yes	yes
continuous air flow	continuous air flow
standard	standard
standard	standard
-	-
-	-
wall - corner	wall - corner

Data obtained under laboratory conditions using pellets with heat production rated at greater than or equal to 4.9 kWh/kg. Consumption varies according to the dimensions and type of pellets used.



## Data charts



Technical data	Units	P130 T	P136	P136 Hermetic	P137
Forced ventilation		yes	yes	yes	yes
Ductable		yes	yes	yes	yes
Natural convection		yes	-	yes	yes
Hermetic		yes	-	yes	-
Oven		-	-	-	-
Model		P130 T	P136	P136-S	P137
Type		SP410-05	SP121-02	SP124-02	SP355-01
Energy efficiency class		A+	A+	A+	A+
Room heating capacity *	m <sup>3</sup>	185 - 315	135 - 230	135 - 230	175 - 300
Nominal heat output (min - max)	kW	4,0 - 11,0	3,9 - 8,0	3,6 - 8,0	4,1 - 10,5
Thermal efficiency (min - max)	%	90,0 - 91,0	89,6 - 88,6	87,3 - 87,3	88,5 - 90,3
Nominal consumption (min - max)	kg/h	0,9 - 2,5	0,91 - 1,89	0,8 - 1,8	0,9 - 2,4
Standard flue outlet Ø	cm	8	8	8	8
Hopper capacity	kg	27	17	17	25
Dimensions W x D x H	cm	61,8 x 59 x 123	90 x 27,5 x 110,5	90 x 27,5 x 110,5	105 x 29 x 125
Weight	kg	146	120	115	160
Oven W x D x H					
Heating		Multifuoco System <sup>®</sup> , manually or automatically controlled. Ductable hot air	Multifuoco System <sup>®</sup> with 4 speed levels, automatically controlled. Ductable hot air	Multifuoco System <sup>®</sup> with 4 speed levels, automatically controlled. Ductable hot air	Multifuoco System <sup>®</sup> with 5 speed levels, automatically controlled. Ductable hot air
Trend Power		3 speed levels, manually controlled	-	-	3 speed levels, manually controlled
Front ventilation		fixed outlet	fixed outlet	fixed outlet	fixed outlet
Lower front ventilation		-	-	-	-
Upper front ventilation		-	-	-	-
Side ventilation		fixed air vent RH-LH optional	fixed air vent RH-LH optional	fixed air vent RH-LH optional	fixed outlet, optional
Natural Mode		yes	yes	yes	yes
Eco / Energy Saving function		yes / yes	yes / yes	yes / yes	yes / yes
Cladding / Top surface		steel / majolica and steel	steel / majolica and steel	steel / majolica and steel	steel / majolica and steel
Rolling Top		-	-	-	-
Stove		airtight, steel	steel	airtight, steel	steel
Firebox		cast iron	cast iron	cast iron	cast iron
Smoke baffle plate / Brazier		cast iron / cast iron	cast iron / cast iron	cast iron / cast iron	cast iron / cast iron
Door / Handle		cast iron with self-cleaning ceramic glass resistant up to 750°C / steel with Nero finish	cast iron with self-cleaning ceramic glass resistant up to 750°C / steel with nickel-plated finish	cast iron with self-cleaning ceramic glass resistant up to 750°C / steel with nickel-plated finish	cast iron with self-cleaning ceramic glass resistant up to 750°C / steel with nickel-plated finish
Removable ash drawer		-	-	-	yes
Ash tray		-	-	-	-
Oven		-	-	-	-
Standard flue outlet position		LH rear	RH rear - RH side	rear	RH rear - RH side
Optional flue outlet		top - top coaxial - LH side	top - top coaxial	top - top coaxial - RH side	top right
LCD remote control		-	-	-	-
Display with digital controls		yes	-	-	-
Power level		5	4	4	5
Ambient probe for temperature control		standard	standard	standard	standard
Programmable timer-thermostat		6 daily time frames	6 daily time frames	6 daily time frames	6 daily time frames
Humidifier		optional	optional	optional	optional
Pellet level indicator		yes	yes	yes	yes
Brazier cleaning intervals		yes	yes	yes	yes
Glass cleaning system		continuous air flow	continuous air flow	continuous air flow	continuous air flow
WiFi module- Bluetooth for App MyPIAZZETTA		standard	optional	optional	optional
Ash vacuum cleaner		standard	standard	standard	optional
Optional remote control		-	optional	optional	optional
Optional side air vents		-	-	-	RH and LH
Optional directional front air vents		-	-	-	yes
Installation		wall - corner	wall - corner	wall - corner	wall - corner wall-flush

\* Calculated on the basis of nominal heat output, referring to rooms with a heating requirement between 0.060 and 0.035 kW per m<sup>3</sup>. We recommend always contacting a heating engineer for the final calculations.

Data obtained under laboratory conditions using pellets with heat production rated at greater than or equal to 4.9 kWh/kg. Consumption varies according to the dimensions and type of pellets used.

**P110 T**



CODE EURO

TOTAL PRICE		<b>2.990,00</b>	
Firebox with cladding	BIANCO	P07110510C	2.990,00
	CORTEN	P07110520C	2.990,00
	NERO	P07110530C	2.990,00

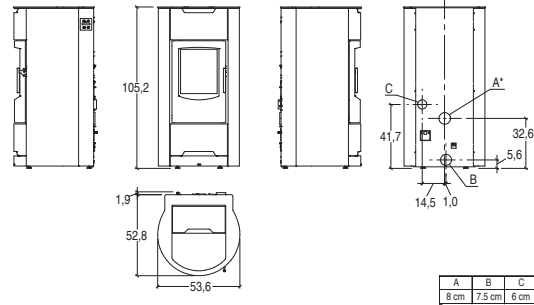
**Accessories on request**

Easy remote control kit	N08013032C	80,00
Nero hole closing kit for right-hand display	N08013027C	35,00
Hot air ducting kit	N08019042C	35,00
Flexible pipe Ø 6 cm for combustion air	N08011017	19,00 per linear metre
Ash vacuum cleaner	N08019040C	100,00

**GENERAL CHARACTERISTICS**

- Heating: Multifuoco System with lower front warm air outlet, ductable / Sweet Air Mode, upper front ventilation system
- Lower front ventilation: fixed air vent
- Upper front ventilation: fixed slit
- Natural Mode: all fans turned off
- Eco / Energy saving function: yes / yes
- Cladding / Top surface: steel / steel
- Stove: airtight steel
- Firebox: Aluker®
- Smoke baffle plate / Brazier: cast iron / cast iron
- Door / Handle: cast iron with self-cleaning ceramic glass resistant up to 750°C / steel with Nero finish
- Removable ash drawer: yes
- Standard flue outlet position: rear
- EASY Remote control with LCD display: optional
- WiFi module- Bluetooth for App MyPIAZZETTA: standard
- Control panel with digital controls: yes
- Power level: 5
- Room temperature probe for temperature management: standard
- Programmable timer-thermostat: 6 daily time period settings
- Pellet level indicator: yes
- Regular brazier cleaning: yes
- Glass cleaning: continuous air flow
- Ash vacuum cleaner: optional
- Installation: wall - corner
- Pellet Quality system function: yes
- Air combustion System function: yes

**Technical drawing version with rear flue outlet, standard**



All dimensions in cm.

**TECHNICAL DATA**

• Model		P110 T
• Type		SP450-09A
• Room heating capacity (min - max)	m³	100 - 175
• Nominal heat output (min - max)	kW	2,7 - 6,0
• Thermal efficiency (min - max)	%	91,1 - 92,2
• Nominal consumption (min - max)	kg/h	0,63 - 1,36
• Hopper capacity	kg	16,5
• Stove weight	kg	112



**P120**



**GENERAL CHARACTERISTICS**

- Heating: Multifuoco System®, automatically controlled. Ductable hot air
- Front ventilation: fixed air vent
- Side ventilation: fixed air vent RH-LH optional
- Natural Mode: yes
- Eco / Energy saving function: yes / yes
- Cladding / Top surface: steel / majolica and steel
- Stove: airtight steel
- Firebox: cast iron
- Smoke baffle plate / Brazier: cast iron / cast iron
- Door / Handle: cast iron with self-cleaning ceramic glass resistant up to 750°C / steel with Nero finish
- Standard flue outlet position: rear left
- Optional flue outlet: top - top coaxial - LH side
- EASY Remote control with LCD display: optional
- WiFi module- Bluetooth for App MyPIAZZETTA: standard
- Control panel with digital controls: yes
- Power level: 5
- Room temperature probe for temperature mangement: standard
- Programmable timer-thermostat: 6 daily time period settings
- Humidifier: optional
- Pellet level indicator: yes
- Regular brazier cleaning: yes
- Glass cleaning: continuous air flow
- Ash vacuum cleaner: standard
- Installation: wall - corner
- Pellet Quality system function: yes
- Air combustion System function: yes

**TECHNICAL DATA**

• Model		P120
• Type		SP400-05
• Room heating capacity (min - max)	m <sup>3</sup>	145 - 245
• Nominal heat output (min - max)	kW	3,4 - 8,5
• Thermal efficiency (min - max)	%	89,4 - 90,6
• Nominal consumption (min - max)	kg/h	0,7 - 1,9
• Hopper capacity	kg	18
• Stove weight	kg	105



CODE EURO

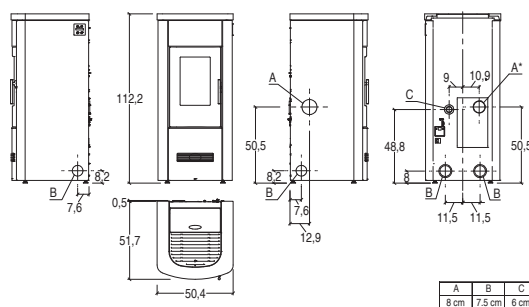
TOTAL PRICE			<b>3.075,00</b>
Firebox with cladding	BIANCO	P07120510C	3.075,00
	NERO	P07120530C	3.075,00
	RUBINO	P07120520C	3.075,00

**Accessories on request**

Easy remote control kit	N08013032C	80,00
Bianco hole closing kit for right-hand display	N08013025C	35,00
Rubino hole closing kit for right-hand display	N08013026C	35,00
Nero hole closing kit for right-hand display	N08013027C	35,00
Fixed side warm air vent kit RH / LH	P08062240C	35,00
Side left-hand flue kit	N08011027C	85,00
Top flue kit	N08011025C	240,00
Hot air ducting kit	N08019042C	35,00
Top coaxial flue kit Ø 80/130	N08011026C	350,00
Humidifier	N08019020C	25,00
Flexible pipe Ø 6 cm for combustion air	N08011017	19,00

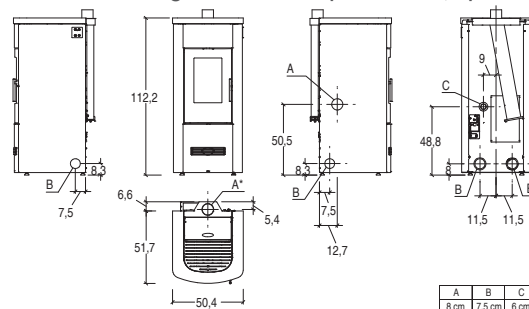
per linear metre

**Technical drawing version with rear flue outlet, standard**



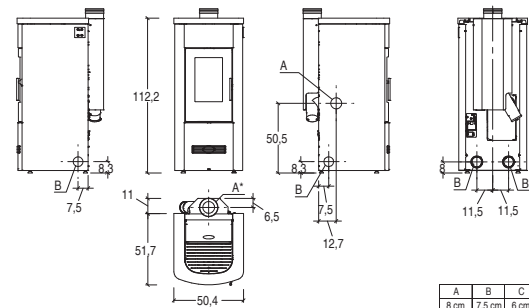
All dimensions in cm.

**Technical drawing version with top flue outlet, optional**



All dimensions in cm.

**Technical drawing version with coaxial flue outlet, optional**



All dimensions in cm.

**P120 M**



**GENERAL CHARACTERISTICS**

- Heating: Multifuoco System®, automatically controlled. Ductable hot air
- Front ventilation: fixed air vent
- Side ventilation: fixed air vent RH-LH optional
- Natural Mode: yes
- Eco / Energy saving function: yes / yes
- Cladding / Top surface: steel / majolica and steel
- Stove: airtight steel
- Firebox: steel - cast iron
- Smoke baffle plate / Brazier: cast iron / cast iron
- Door / Handle: cast iron with self-cleaning ceramic glass resistant up to 750°C / steel with Nero finish
- Standard flue outlet position: rear left
- Optional flue outlet: top - top coaxial - LH side
- EASY Remote control with LCD display: optional
- WiFi module- Bluetooth for App MyPIAZZETTA: standard
- Control panel with digital controls: yes
- Power level: 5
- Room temperature probe for temperature management: standard
- Programmable timer-thermostat: 6 daily time period settings
- Humidifier: optional
- Pellet level indicator: yes
- Regular brazier cleaning: yes
- Glass cleaning: continuous air flow
- Ash vacuum cleaner: standard
- Installation: wall - corner
- Pellet Quality system function: yes
- Air combustion System function: yes

**TECHNICAL DATA**

• Model		P120 M
• Type		SP400-05
• Room heating capacity (min - max)	m <sup>3</sup>	145 - 245
• Nominal heat output (min - max)	kW	3,4 - 8,5
• Thermal efficiency (min - max)	%	89,4 - 90,6
• Nominal consumption (min - max)	kg/h	0,7 - 1,9
• Hopper capacity	kg	18
• Stove weight	kg	110



CODE EURO

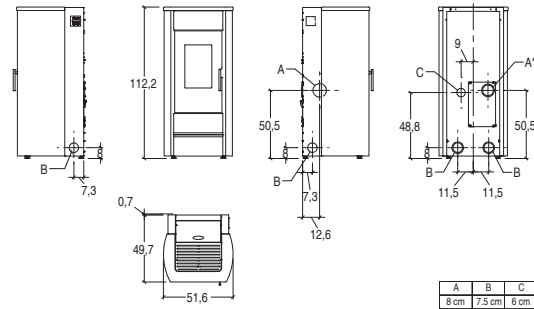
TOTAL PRICE			<b>3.150,00</b>
Firebox with cladding	BIANCO	P07120810C	3.150,00
	NERO	P07120830C	3.150,00
	RUBINO	P07120820C	3.150,00

**Accessories on request**

Easy remote control kit	N08013032C	80,00
Nero hole closing kit for right-hand display	N08013027C	35,00
Fixed side warm air vent kit RH / LH	P08062240C	35,00
Side left-hand flue kit	N08011027C	85,00
Top flue kit	N08011025C	240,00
Hot air ducting kit	N08019042C	35,00
Top coaxial flue kit Ø 80/130	N08011026C	350,00
Humidifier	N08019020C	25,00
Flexible pipe Ø 6 cm for combustion air	N08011017	19,00

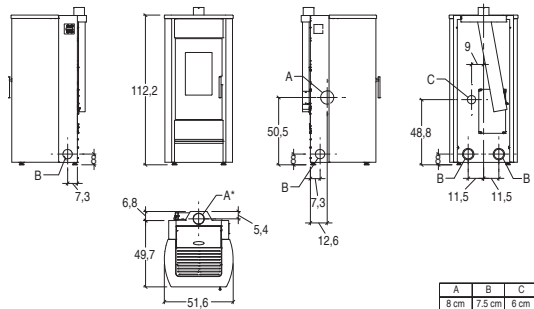
per linear metre

**Technical drawing version with rear flue outlet, standard**



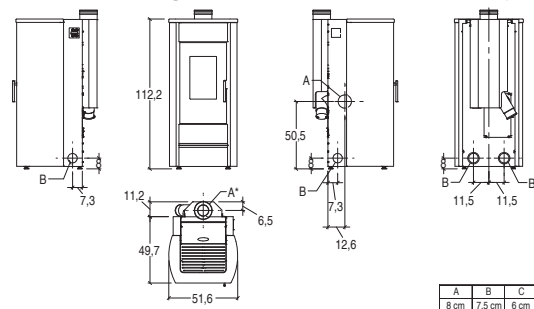
All dimensions in cm.

**Technical drawing version with top flue outlet, optional**



All dimensions in cm.

**Technical drawing version with coaxial flue outlet, optional**



All dimensions in cm.

**P120 T**



**GENERAL CHARACTERISTICS**

- Heating: Multifuoco System®, automatically controlled. Ductable hot air
- Front ventilation: fixed air vent
- Side ventilation: fixed air vent RH-LH optional
- Natural Mode: yes
- Eco / Energy saving function: yes / yes
- Cladding / Top surface: steel / majolica and steel
- Stove: airtight steel
- Firebox: cast iron
- Smoke baffle plate / Brazier: cast iron / cast iron
- Door / Handle: cast iron with self-cleaning ceramic glass resistant up to 750°C / steel with Nero finish
- Standard flue outlet position: rear left
- Optional flue outlet: top - top coaxial - LH side
- EASY Remote control with LCD display: optional
- WiFi module- Bluetooth for App MyPIAZZETTA: standard
- Control panel with digital controls: yes
- Power level: 5
- Room temperature probe for temperature mangement: standard
- Programmable timer-thermostat: 6 daily time period settings
- Humidifier: optional
- Pellet level indicator: yes
- Regular brazier cleaning: yes
- Glass cleaning: continuous air flow
- Ash vacuum cleaner: standard
- Installation: wall - corner
- Pellet Quality system function: yes
- Air combustion System function: yes

**TECHNICAL DATA**

• Model		P120 T
• Type		SP400-05
• Room heating capacity (min - max)	m <sup>3</sup>	145 - 245
• Nominal heat output (min - max)	kW	3,4 - 8,5
• Thermal efficiency (min - max)	%	89,4 - 90,6
• Nominal consumption (min - max)	kg/h	0,7 - 1,9
• Hopper capacity	kg	18
• Stove weight	kg	110



CODE EURO

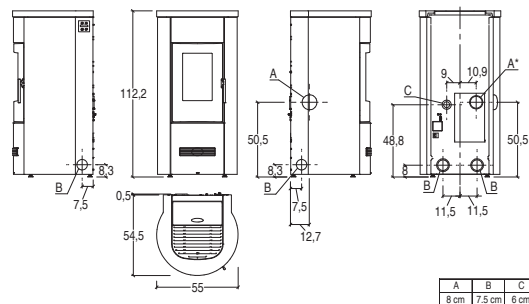
TOTAL PRICE			<b>3.145,00</b>
Firebox with cladding	BIANCO	P07120710C	3.145,00
	NERO	P07120730C	3.145,00
	RUBINO	P07120720C	3.145,00

**Accessories on request**

Easy remote control kit	N08013032C	80,00
Bianco hole closing kit for right-hand display	N08013025C	35,00
Rubino hole closing kit for right-hand display	N08013026C	35,00
Nero hole closing kit for right-hand display	N08013027C	35,00
Fixed side warm air vent kit RH / LH	P08062240C	35,00
Side left-hand flue kit	N08011027C	85,00
Top flue kit	N08011025C	240,00
Hot air ducting kit	N08019042C	35,00
Top coaxial flue kit Ø 80/130	N08011026C	350,00
Humidifier	N08019020C	25,00
Flexible pipe Ø 6 cm for combustion air	N08011017	19,00

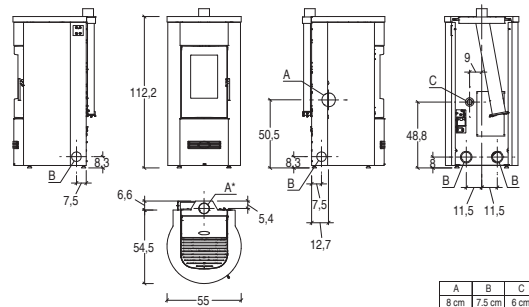
per linear metre

**Technical drawing version with rear flue outlet, standard**



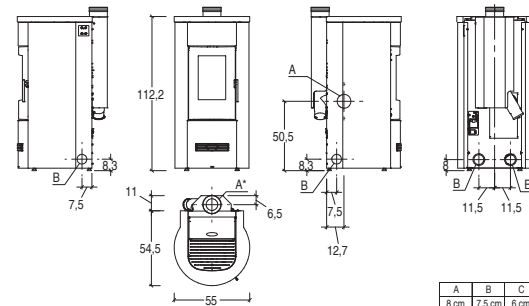
All dimensions in cm.

**Technical drawing version with top flue outlet, optional**



All dimensions in cm.

**Technical drawing version with coaxial flue outlet, optional**



All dimensions in cm.

**P121 T**



CODE EURO

TOTAL PRICE		<b>2.990,00</b>	
Firebox with cladding	BIANCO	P07121510C	2.990,00
	CORTEN	P07121520C	2.990,00
	NERO	P07121530C	2.990,00

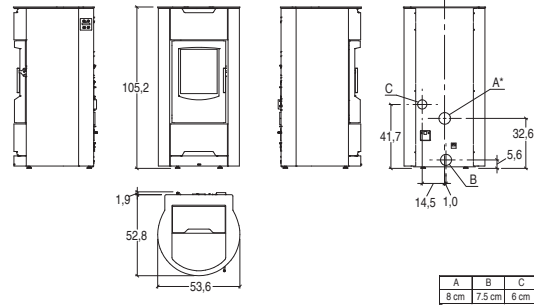
**Accessories on request**

Easy remote control kit	N08013032C	80,00
Nero hole closing kit for right-hand display	N08013027C	35,00
Hot air ducting kit	N08019042C	35,00
Flexible pipe Ø 6 cm for combustion air	N08011017	19,00 per linear metre
Ash vacuum cleaner	N08019040C	100,00

**GENERAL CHARACTERISTICS**

- Heating: Multifuoco System with lower front warm air outlet, ductable / Sweet Air Mode, upper front ventilation system
- Lower front ventilation: fixed air vent
- Upper front ventilation: fixed slit
- Natural Mode: all fans turned off
- Eco / Energy saving function: yes / yes
- Cladding / Top surface: steel / steel
- Stove: airtight steel
- Firebox: Aluker®
- Smoke baffle plate / Brazier: cast iron / cast iron
- Door / Handle: cast iron with self-cleaning ceramic glass resistant up to 750°C / steel with Nero finish
- Removable ash drawer: yes
- Standard flue outlet position: rear
- EASY Remote control with LCD display: optional
- WiFi module- Bluetooth for App MyPIAZZETTA: standard
- Control panel with digital controls: yes
- Power level: 5
- Room temperature probe for temperature management: standard
- Programmable timer-thermostat: 6 daily time period settings
- Pellet level indicator: yes
- Regular brazier cleaning: yes
- Glass cleaning: continuous air flow
- Ash vacuum cleaner: optional
- Installation: wall - corner
- Pellet Quality system function: yes
- Air combustion System function: yes

**Technical drawing version with rear flue outlet, standard**



All dimensions in cm.

**TECHNICAL DATA \***

• Model		P121 T
• Type		SP450-10A
• Room heating capacity (min - max)	m³	145 - 245
• Nominal heat output (min - max)	kW	3,3 - 8,5
• Thermal efficiency (min - max)	%	90 - 92
• Nominal consumption (min - max)	kg/h	0,75 - 1,93
• Hopper capacity	kg	16,5
• Stove weight	kg	98



\* Product currently being certified.

**P130**



**GENERAL CHARACTERISTICS**

- Heating: Multifuoco System®, manually or automatically controlled. Ductable hot air
- Trend Power: 3 speed levels, manually controlled
- Front ventilation: fixed air vent
- Side ventilation: fixed air vent RH-LH optional
- Natural Mode: yes
- Eco / Energy saving function: yes / yes
- Cladding / Top surface: steel / majolica and steel
- Stove: airtight steel
- Firebox: cast iron
- Smoke baffle plate / Brazier: cast iron / cast iron
- Door / Handle: cast iron with self-cleaning ceramic glass resistant up to 750°C / steel with Nero finish
- Standard flue outlet position: rear left
- Optional flue outlet: top - top coaxial - LH side
- EASY Remote control with LCD display: optional
- WiFi module- Bluetooth for App MyPIAZZETTA: standard
- Control panel with digital controls: yes
- Power level: 5
- Room temperature probe for temperature mangement: standard
- Programmable timer-thermostat: 6 daily time period settings
- Humidifier: optional
- Pellet level indicator: yes
- Regular brazier cleaning: yes
- Glass cleaning: continuous air flow
- Ash vacuum cleaner: standard
- Installation: wall - corner
- Pellet Quality system function: yes
- Air combustion System function: yes

**TECHNICAL DATA**

• Model		P130
• Type		SP410-05
• Room heating capacity (min - max)	m <sup>3</sup>	185 - 315
• Nominal heat output (min - max)	kW	4,0 - 11,0
• Thermal efficiency (min - max)	%	90,0 - 91,0
• Nominal consumption (min - max)	kg/h	0,9 - 2,5
• Hopper capacity	kg	27
• Stove weight	kg	138



CODE EURO

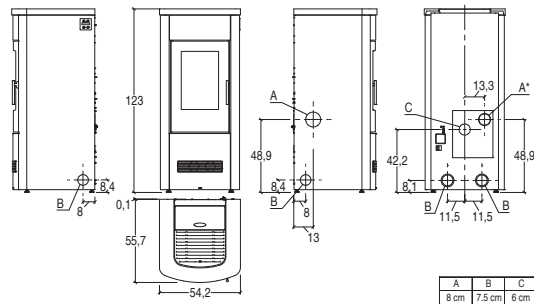
TOTAL PRICE			<b>3.475,00</b>
Firebox with cladding	BIANCO	P07130510C	3.475,00
	NERO	P07130530C	3.475,00
	RUBINO	P07130520C	3.475,00

**Accessories on request**

Easy remote control kit	N08013032C	80,00
Bianco hole closing kit for right-hand display	N08013025C	35,00
Rubino hole closing kit for right-hand display	N08013026C	35,00
Nero hole closing kit for right-hand display	N08013027C	35,00
Fixed side warm air vent kit RH / LH	P08062240C	35,00
Side left-hand flue kit	N08011030C	85,00
Top flue kit	N08011028C	240,00
Hot air ducting kit	N08019042C	35,00
Top coaxial flue kit Ø 80/130	N08011029C	350,00
Humidifier	N08019020C	25,00
Flexible pipe Ø 6 cm for combustion air	N08011017	19,00

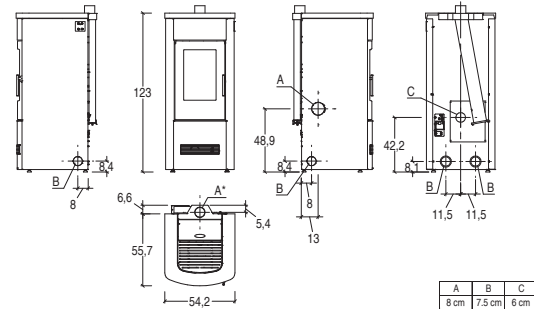
per linear metre

**Technical drawing version with rear flue outlet, standard**



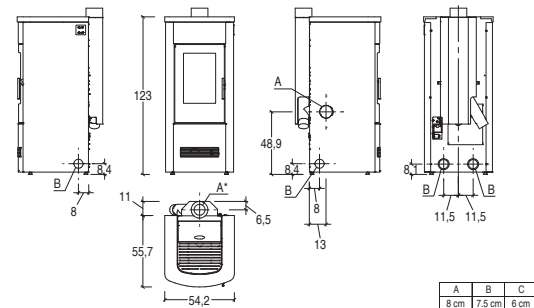
All dimensions in cm.

**Technical drawing version with top flue outlet, optional**



All dimensions in cm.

**Technical drawing version with coaxial flue outlet, optional**



All dimensions in cm.



**P130 T**



**GENERAL CHARACTERISTICS**

- Heating: Multifuoco System®, manually or automatically controlled. Ductable hot air
- Trend Power: 3 speed levels, manually controlled
- Front ventilation: fixed air vent
- Side ventilation: fixed air vent RH-LH optional
- Natural Mode: yes
- Eco / Energy saving function: yes / yes
- Cladding / Top surface: steel / majolica and steel
- Stove: airtight steel
- Firebox: cast iron
- Smoke baffle plate / Brazier: cast iron / cast iron
- Door / Handle: cast iron with self-cleaning ceramic glass resistant up to 750°C / steel with Nero finish
- Standard flue outlet position: rear left
- Optional flue outlet: top - top coaxial - LH side
- EASY Remote control with LCD display: optional
- WiFi module- Bluetooth for App MyPIAZZETTA: standard
- Control panel with digital controls: yes
- Power level: 5
- Room temperature probe for temperature mangement: standard
- Programmable timer-thermostat: 6 daily time period settings
- Humidifier: optional
- Pellet level indicator: yes
- Regular brazier cleaning: yes
- Glass cleaning: continuous air flow
- Ash vacuum cleaner: standard
- Installation: wall - corner
- Pellet Quality system function: yes
- Air combustion System function: yes

**TECHNICAL DATA**

• Model		P130 T
• Type		SP410-05
• Room heating capacity (min - max)	m <sup>3</sup>	185 - 315
• Nominal heat output (min - max)	kW	4,0 - 11,0
• Thermal efficiency (min - max)	%	90,0 - 91,0
• Nominal consumption (min - max)	kg/h	0,9 - 2,5
• Hopper capacity	kg	27
• Stove weight	kg	146



CODE EURO

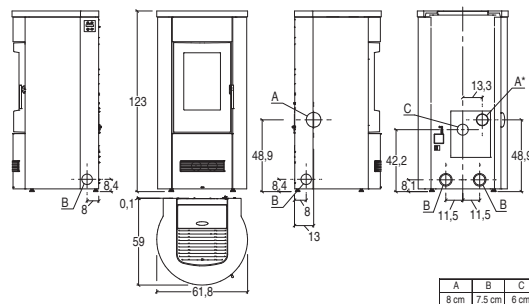
TOTAL PRICE			<b>3.495,00</b>
Firebox with cladding	BIANCO	P07130710C	3.495,00
	NERO	P07130730C	3.495,00
	RUBINO	P07130720C	3.495,00

**Accessories on request**

Easy remote control kit	N08013032C	80,00
Bianco hole closing kit for right-hand display	N08013025C	35,00
Rubino hole closing kit for right-hand display	N08013026C	35,00
Nero hole closing kit for right-hand display	N08013027C	35,00
Fixed side warm air vent kit RH / LH	P08062240C	35,00
Side left-hand flue kit	N08011030C	85,00
Top flue kit	N08011028C	240,00
Hot air ducting kit	N08019042C	35,00
Top coaxial flue kit Ø 80/130	N08011029C	350,00
Humidifier	N08019020C	25,00
Flexible pipe Ø 6 cm for combustion air	N08011017	19,00

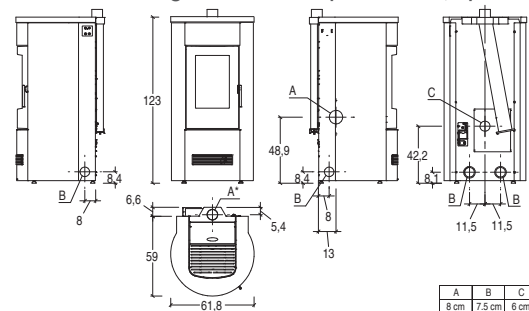
per linear metre

**Technical drawing version with rear flue outlet, standard**



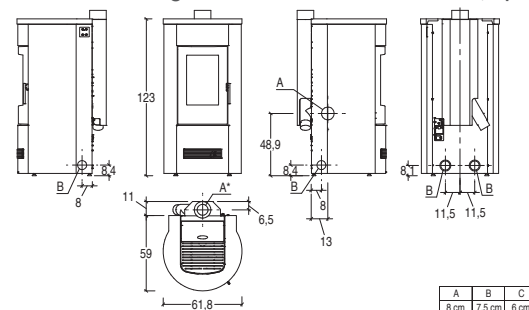
All dimensions in cm.

**Technical drawing version with top flue outlet, optional**



All dimensions in cm.

**Technical drawing version with coaxial flue outlet, optional**



All dimensions in cm.

**P136**

**GENERAL CHARACTERISTICS**

- Heating: Multifuoco System® with 4 speed levels, automatically controlled. Ductable hot air
- Front ventilation: fixed air vent
- Side ventilation: fixed air vent RH-LH optional
- Natural Mode: yes
- Eco / Energy saving function: yes / yes
- Cladding / Top surface: steel / majolica and steel
- Stove: steel
- Firebox: cast iron
- Smoke baffle plate / Brazier: cast iron / cast iron
- Door / Handle: cast iron with self-cleaning ceramic glass resistant up to 750°C / steel with nickel-plated finish
- Standard flue outlet position: rear right - right side
- Optional flue outlet: top - top coaxial
- WiFi module- Bluetooth for App MyPIAZZETTA: optional
- Control panel with display and digital controls: yes
- Power level: 4
- Room temperature probe for temperature management: standard
- Programmable timer-thermostat: 6 daily time period settings
- Humidifier: optional
- Pellet level indicator: yes
- Regular brazier cleaning: yes
- Glass cleaning: continuous air flow
- Outside air kit: standard
- Ash vacuum cleaner: standard
- Remote control: optional
- Installation: wall - corner
- Pellet Quality system function: yes
- Air combustion System function: yes

**TECHNICAL DATA**

• Model		P136
• Type		SP121-02
• Room heating capacity (min - max)	m <sup>3</sup>	135 - 230
• Nominal heat output (min - max)	kW	3,9 - 8,0
• Thermal efficiency (min - max)	%	89,6 - 88,6
• Nominal consumption (min - max)	kg/h	0,91 - 1,89
• Hopper capacity	kg	17
• Stove weight	kg	120

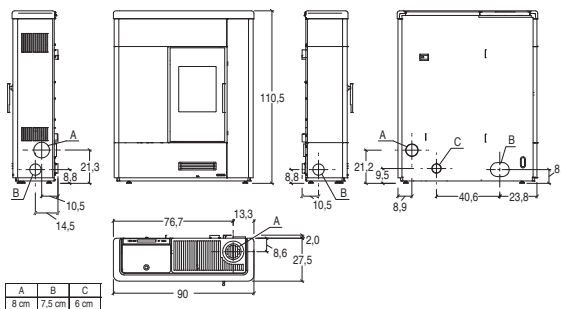


CODE EURO

TOTAL PRICE			<b>3.570,00</b>
Firebox with cladding	BIANCO	P07136910C	3.570,00
	NERO OPACO	P07136930C	3.570,00
	RUBINO	P07136920C	3.570,00

**Accessories on request**

Fixed side warm air vent kit	P08016760C	30,00
Front air vent with diverter	P08061550C	110,00
Top flue kit	N08011049C	105,00
Top coaxial flue kit Ø 80/130	N08011052C	250,00
Remote control	N08019021C	65,00
Humidifier	N08019020C	25,00
Wi-Fi module for Piazzetta App	N08013022C	350,00
Flexible pipe Ø 6 cm for combustion air	N08011017	19,00 <small>per linear metre</small>



All dimensions in cm.

**P136 Hermetic**

**GENERAL CHARACTERISTICS**

- Heating: Multifuoco System® with 4 speed levels, automatically controlled. Ductable hot air
- Front ventilation: fixed air vent
- Side ventilation: fixed air vent RH-LH optional
- Natural Mode: yes
- Eco / Energy saving function: yes / yes
- Cladding / Top surface: steel / majolica and steel
- Stove: airtight steel
- Firebox: cast iron
- Smoke baffle plate / Brazier: cast iron / cast iron
- Door / Handle: cast iron with self-cleaning ceramic glass resistant up to 750°C / steel with nickel-plated finish
- Standard flue outlet position: rear
- Optional flue outlet: top - top coaxial - RH side
- WiFi module- Bluetooth for App MyPIAZZETTA: optional
- Control panel with display and digital controls: yes
- Power level: 4
- Room temperature probe for temperature management: standard
- Programmable timer-thermostat: 6 daily time period settings
- Humidifier: optional
- Pellet level indicator: yes
- Regular brazier cleaning: yes
- Glass cleaning: continuous air flow
- Outside air kit: standard
- Ash vacuum cleaner: standard
- Remote control: optional
- Installation: wall - corner
- Pellet Quality system function: yes
- Air combustion System function: yes

**TECHNICAL DATA**

• Model		P136-S
• Type		SP124-02
• Room heating capacity (min - max)	m <sup>3</sup>	135 - 230
• Nominal heat output (min - max)	kW	3,6 - 8,0
• Thermal efficiency (min - max)	%	87,3 - 87,3
• Nominal consumption (min - max)	kg/h	0,8 - 1,8
• Hopper capacity	kg	17
• Stove weight	kg	115

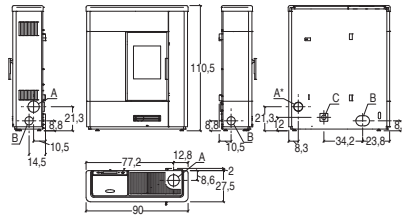


CODE EURO

<b>TOTAL PRICE</b>			<b>3.820,00</b>
Firebox with cladding	BIANCO	P07136610C	3.820,00
	NERO OPACO	P07136630C	3.820,00
	RUBINO	P07136620C	3.820,00

**Accessories on request**

Fixed side warm air vent kit	P08016760C	30,00
Front air vent with diverter	P08061550C	110,00
Right-hand side flue kit	N08011047C	25,00
Top flue kit	N08011049C	105,00
Top coaxial flue kit Ø 80/130	N08011048C	250,00
Remote control	N08019021C	65,00
Humidifier	N08019020C	25,00
Wi-Fi module for Piazzetta App	N08013022C	350,00
Flexible pipe Ø 6 cm for combustion air	N08011017	19,00 per linear metre



A	B	C
8 cm	7,5 cm	6 cm

All dimensions in cm.

**P137**



**GENERAL CHARACTERISTICS**

- Heating: Multifuoco System® with 5 speed levels, automatically controlled. Ductable hot air
- Trend Power: 3 speed levels, manually controlled
- Front ventilation: fixed air vent
- Side ventilation: fixed air vent optional
- Natural Mode: yes
- Eco / Energy saving function: yes / yes
- Cladding / Top surface: steel / majolica and steel
- Stove: steel
- Firebox: cast iron
- Smoke baffle plate / Brazier: cast iron / cast iron
- Door / Handle: cast iron with self-cleaning ceramic glass resistant up to 750°C / steel with nickel-plated finish
- Removable ash drawer: yes
- Standard flue outlet position: rear right - right side
- Optional flue outlet: top right
- WiFi module- Bluetooth for App MyPIAZZETTA: optional
- Control panel with display and digital controls: yes
- Power level: 5
- Room temperature probe for temperature management: standard
- Programmable timer-thermostat: 6 daily time period settings
- Humidifier: optional
- Pellet level indicator: yes
- Regular brazier cleaning: yes
- Glass cleaning: continuous air flow
- Ash vacuum cleaner: optional
- Remote control: optional
- Optional side air vents: right and left
- Optional directional front air vents: yes
- Installation: wall - corner wall-flush

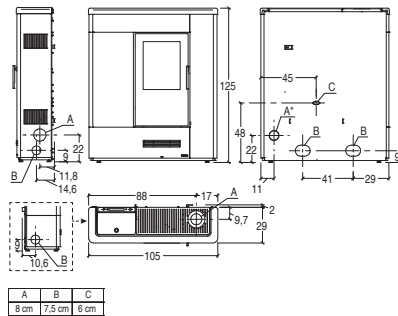
**TECHNICAL DATA**

• Model		P137
• Type		SP355-01
• Room heating capacity (min - max)	m <sup>3</sup>	175 - 300
• Nominal heat output (min - max)	kW	4,1 - 10,5
• Thermal efficiency (min - max)	%	88,5 - 90,3
• Nominal consumption (min - max)	kg/h	0,9 - 2,4
• Hopper capacity	kg	25
• Stove weight	kg	160



CODE EURO

TOTAL PRICE		<b>3.820,00</b>
Firebox with cladding	BIANCO	P07137510C
	NERO OPACO	P07137530C
	RUBINO	P07137520C
<b>Accessories on request</b>		
Fixed side warm air vent kit	P08016760C	30,00
Front air vent with diverter	P08061560C	110,00
Top flue kit	P08061530C	230,00
Remote control	N08019021C	65,00
Humidifier	N08019020C	25,00
Top coaxial flue kit	P08061680C	330,00
Wi-Fi module for Piazzetta App	N08013022C	350,00
Combustion air kit	N08010009C	65,00
Flexible pipe Ø 6 cm for combustion air	N08011017	19,00 per linear metre
Ash vacuum cleaner	N08019040C	100,00



All dimensions in cm.









# PELLET STOVES - HERMETIC - WITH OVEN

## Accessories

### PELLET LOADING KIT

ITEM	COMPATIBLE MODELS	CODE	EURO
 Pellet loading kit for PREMIUM PLUS series	All models P220-P230	P08062180C	55,00
Pellet loading kit for PREMIUM series	All models P920	P08062760C	110,00
	All models P930	P08062770C	110,00

### ACCESSORIES FOR HOT AIR DUCTING

ITEM	DIMENSIONS IN CM	UNITS PER PACK	CODE	EURO
 Ducting kit for the PREMIUM PLUS Line (All models) Ducting kit for the PREMIUM Line (excluding P934, P939) Ducting kit for the TREND Line (excluding P137)			N08019042C	35,00
 Flexible aluminium pipe <sup>[1]</sup>	Ø 7,5	linear metre	N08011005	19,00 per linear metre
 Y connector for pellet stoves P136 - P136 Hermetic - P137 - P939 - P110 - P121 T	Ø 7,5	10	N08011020	40,00
 Y connector for pellet stoves <sup>[2]</sup>	Ø 7,5	10	N08011016	27,00
 Y connector for pellet stoves and for branching the hot air ducts <sup>[3]</sup>	Ø 7,5	10	N08011006	30,00
 90° aluminium bend	Ø 7,5	10	N08011007	30,00
 Pipe clamp	Ø 7,5	50	N08011008	5,00
 Connector sleeve	Ø 7,5	50	N08011009	10,00

[1] Available in 30 meter roll, minimum order quantity: 1 meter.

[2] For connecting the Multifuoco System® fan of pellet stoves to the flex pipe for ducting hot air.

[3] Used on pellet stoves for branching the hot air duct.


### AIR VENTS

ITEM	DIMENSIONS IN CM	UNITS PER PACK	CODE	EURO
 Air vent with closure, enamelled white	L 25 x H 12 Ø 7,5	10	N08011001	58,00
 Wall air vent with closure, enamelled white	L 25 x H 11 Ø 7,5	6	N08011002	83,00
 Wall air vent, blasted steel	L 22 x H 5 Ø 7,5	1	NI08012400-0	154,00
 Wall air vent, black enamelled steel	L 22 x H 5 Ø 7,5	1	NI08014190-0	115,00
 Wall air vent, white enamelled steel	L 22 x H 5 Ø 7,5	1	NI08014400-0	115,00
 Wall air vent, blasted steel	L 43 x H 5 Ø 7,5	1	NI08012410-0	258,00
 Wall air vent, black enamelled steel	L 43 x H 5 Ø 7,5	1	NI08014200-0	214,00
 Wall air vent, white enamelled steel	L 43 x H 5 Ø 7,5	1	NI08014410-0	214,00
 Air vent without closure, made of white-painted steel	L 9,5 x H 9,5 Ø 7,0	1	N08011003	64,00
 Air vent with closure, made of white-painted steel	L 9,5 x H 9,5 Ø 7,0	1	N08011004	70,00

## PELLET STOVES - HERMETIC - WITH OVEN


### Accessories

#### REMOTE MANAGEMENT





ITEM	COMPATIBLE MODELS	CODE	EURO
 Wi-Fi module for control through Piazzetta app inclusive of serial cable and power supply <sup>[1]</sup>	P943 Hermetic - P943 M Hermetic	N08013012C	305,00
	P934 - P939 - P136 Hermetic - P137	N08013022C	350,00

[1] Compatible with all models produced or updated starting from 2013.

#### WIRELESS TEMPERATURE PROBE KIT

ITEM	COMPATIBLE MODELS	CODE	EURO
 Wireless temperature probe kit	Series PREMIUM LINE (excluding P934, P939)	N08013024C	70,00



#### COMBUSTION AIR KIT AND ACCESSORIES

ITEM	COMPATIBLE MODELS	CODE	EURO
 Combustion air kit	P939 P137	N08010009C	65,00
 Combustion air kit	P934	N08010029C	100,00
 Flexible pipe Ø 6 cm for combustion air	All models	N08011017	19,00 per linear metre
 Aeration grille with spring for wall hole Ø 6,0-7,5 cm	All models	N08010014	5,00

#### ASH VACUUM CLEANER

ITEM	COMPATIBLE MODELS	CODE	EURO
 Ash vacuum cleaner	P934 - P939 - P137	N08019040C	100,00




#### FLOOR PROTECTION

ITEM	COMPATIBLE MODELS	DIMENSIONS IN CM	CODE	EURO
 Rectangular steel floor plate	All models	100x120	P08024300C	325,00
 Round edged steel floor plate	All models	100x120	P08024310C	325,00

# PELLET STOVES - HERMETIC - WITH OVEN

## Accessories

### OPTIONAL FLUE OUTLET KIT

ITEM	COMPATIBLE MODELS	CODE	EURO
	series P220 TOP	P08062050C	350,00
	series P920 TOP	N08010040C	350,00
	series P230 TOP	P08062060C	350,00
	series P930 TOP	N08010041C	335,00
Top coaxial flue kit Ø 80/130	P240	P08062780C	205,00
Top coaxial flue kit Ø 80/130	Series P120	N08011026C	350,00
Top coaxial flue kit Ø 80/130	Series P130	N08011029C	350,00
	series P220-P230 TOP	P08062170C	115,00
	series P920 TOP	P08062350C	110,00
	series P930 TOP	P08062360C	110,00
Top flue kit	P137	P08061530C	230,00
Top flue kit	Series P120	N08011025C	240,00
Top flue kit	Series P130	N08011028C	240,00
Top flue kit	P136 Hermetic	N08011049C	105,00
Top coaxial flue kit Ø 80/130	P136 Hermetic	N08011048C	250,00
Top coaxial flue kit Ø 80/130	P137	P08061680C	330,00
Top coaxial flue kit Ø 80/130	LINE - P945 C	N08011038C	170,00
	P939	P08061540C	230,00
	Series P120	N08011027C	85,00
	Series P130	N08011030C	85,00
	P136 Hermetic	N08011047C	25,00

### HUMIDIFIER

ITEM	COMPATIBLE MODELS	CODE	EURO
Humidifier for TREND series	All models	N08019020C	25,00

### REMOTE CONTROL

ITEM	COMPATIBLE MODELS	CODE	EURO
	Series PREMIUM PLUS LINE: all models Series PREMIUM LINE: all models excluding P934, P939	P08062070C	120,00
	P136 Hermetic - P137	N08019021C	65,00
	Series TREND LINE (excluding P136 Hermetic, P137)	N08013032C	80,00

### HOLE CLOSING KIT FOR DISPLAY

ITEM	COMPATIBLE MODELS	CODE	EURO
Bianco hole closing kit for right-hand display	P120 - P120 T P130 - P130 T	N08013025C	35,00
Rubino hole closing kit for right-hand display	P120 - P120 T P130 - P130 T	N08013026C	35,00
Nero hole closing kit for right-hand display	P110 T - P120 - P120 M P120 T - P121 T P130 - P130 T	N08013027C	35,00









# PELLET STOVES - HERMETIC - WITH OVEN

## Accessories



### PIPES - BENDS - CONNECTORS FOR PELLETT APPLIANCES

Aluminium coated steel connecting flue pipes single wall, 2 mm thick, V2 corrosion resistance class, EN 1856-2 compliant

ITEM	DIMENSIONS IN CM	Ø MM	CODE	EURO
 Pipe with inspection	L 25	80	P08025890	44,00
 Pipe	L 25	80	P08025370	39,00
	L 50	80	P08025380	64,00
	L 100	80	P08025390	96,00
 Bend 90° with inspection	L 16 x H 16	80	P08025910	96,00
 Bend 90°	L 16 x H 16	80	P08025400	89,00
 Bend 45°	L 12 x H 12	80	P08025410	64,00
 T-fitting w/RH and LH side inspection port	L 14 x H 18	80	P08027250	115,00
 T-fitting w/support <sup>[1]</sup>	L 12 x H 17-22	80	P08027230	145,00
 T-fitting w/support <sup>[1]</sup>	L 12 x H 17-22	80-100	P08027240	145,00
 T-fitting w/inspection port	L 18 x H 14	80	P08025430	102,00
 Flue ring	-	80	P08025490	34,00
 Wall connector	-	80	P08025550	34,00

[1] Not compatible with LINE.

### AIR VENTS

ITEM	COMPATIBLE MODELS	CODE	EURO
 Side warm air vent kit	P136 Hermetic - P137	P08016760C	30,00
	P220 M - P220 M TOP - P220 T - P220 T TOP P220 T FR/G - P220 T FR/G TOP P230 M - P230 M TOP - P230 T - P230 T TOP P230 T FR/G - P230 T FR/G TOP - P240 P920 C - P920 C TOP - P920 K - P920 K TOP P920 M - P920 M TOP - P920 T - P920 T TOP P930 C - P930 C TOP - P930 K - P930 K TOP P930 M - P930 M TOP - P930 T - P930 T TOP P934 - P939 - P120 - P120 M P120 T - P130 - P130 T	P08062240C	35,00
 Front air vent with diverter	P137	P08061560C	110,00

## PELLET STUBOTTO

Data charts . . . . .	130
BERNA pellet . . . . .	131
BRUNICO . . . . .	132
CANAZEI . . . . .	133
ORTISEI . . . . .	134
STUBOTTO C . . . . .	135
Accessories . . . . .	136

# PELLET STUBOTTO

## Data charts



Technical data	Units	BERNA pellet	BRUNICO	CANAZEI	ORTISEI	STUBOTTO C
Forced ventilation		yes	yes	yes	yes	yes
Ductable		yes	yes	yes	yes	yes
Natural convection		yes	-	-	-	yes
Hermetic		yes	-	-	-	yes
Oven		-	-	-	-	-
Model		BERNA	BRUNICO	CANAZEI	ORTISEI	STUBOTTO C
Type		SP480-02	SP410-06	SP410-06	SP410-06	SP480-02
Energy efficiency class		A+	A+	A+	A+	A+
Room heating capacity **	m <sup>3</sup>	235 - 400	185 - 315	185 - 315	185 - 315	235 - 400
Nominal heat output (min - max)	kW	4,4 - 14,0	3,8 - 11,0	3,8 - 11,0	3,8 - 11,0	4,4 - 14,0
Thermal efficiency (min - max)	%	89,1 - 91,3	89,4 - 91,6	89,4 - 91,6	89,4 - 91,6	89,1 - 91,3
Nominal consumption (min - max)	kg/h	1,01 - 3,13	0,9 - 2,5	0,9 - 2,5	0,9 - 2,5	1,01 - 3,13
Standard flue outlet Ø	cm	8	8	8	8	8
Hopper capacity	kg	60	40	43	43	45
Dimensions W x D x H	cm	75,1 x 61 x 141,6	73 x 57,8 x 149,3	75 x 58,8 x 149,8	100 x 57,8 x 150,2	91,5 x 62,1 x 150,6
Weight	kg	250	257	267	302	275
Oven W x D x H		-	-	-	-	-
Heating		Multifuoco System® with 4 speed levels, manually or automatically controlled. Ductable hot air	Multifuoco System® with 4 speed levels, manually or automatically controlled. Ductable hot air	Multifuoco System® with 4 speed levels, manually or automatically controlled. Ductable hot air	Multifuoco System® with 4 speed levels, manually or automatically controlled. Ductable hot air	Multifuoco System® with 4 speed levels, manually or automatically controlled. Ductable hot air
Dual Power System		yes	4 speed levels, manually or automatically controlled	4 speed levels, manually or automatically controlled	4 speed levels, manually or automatically controlled	yes
Front ventilation		directional air vent	directional air vent	directional air vent	directional air vent	directional air vent
Side ventilation		-	-	-	-	-
Natural Mode		-	yes	yes	yes	-
Eco / Energy Saving function		yes / yes	yes / yes	yes / yes	yes / yes	yes / yes
Pellet Quality System Function		yes	yes	yes	yes	yes
Air Combustion System Function		yes	yes	yes	yes	yes
Cladding / Top surface		majolica / majolica	majolica / majolica	majolica / majolica	majolica / majolica	majolica / majolica
Rolling Top		-	-	-	-	-
Stove		airtight, steel	airtight, steel	airtight, steel	airtight, steel	airtight, steel
Firebox		cast iron	cast iron	cast iron	cast iron	cast iron
Smoke baffle plate / Brazier		cast iron / steel cast iron with self-cleaning ceramic glass resistant up to 750°C / detachable	cast iron / cast iron cast iron with self-cleaning ceramic glass resistant up to 750°C / steel	cast iron / cast iron cast iron with self-cleaning ceramic glass resistant up to 750°C / steel	cast iron / cast iron cast iron with self-cleaning ceramic glass resistant up to 750°C / steel	cast iron / steel cast iron with self-cleaning ceramic glass resistant up to 750°C / detachable
Door / Handle		resistant up to 750°C	-	-	-	-
Ceramic glass		-	-	-	-	-
Removable ash drawer		-	-	-	-	-
Ash tray		-	-	-	-	-
Oven		-	-	-	-	-
Standard flue outlet position		LH rear	LH rear	LH rear	LH rear	LH rear
Optional flue outlet		-	-	-	-	-
LCD remote control		optional	optional	optional	optional	optional
Display with digital controls		yes	yes	yes	yes	yes
Power level		5	5	5	5	5
Room temperature probe for temperature management		standard	standard	standard	standard	standard
Wireless probe for temperature management		optional	optional	optional	optional	optional
Programmable timer-thermostat		6 daily time frames	6 daily time frames	6 daily time frames	6 daily time frames	6 daily time frames
Humidifier		-	-	-	-	-
Pellet level sensor		yes	yes	yes	yes	yes
Brazier cleaning intervals		yes	yes	yes	yes	yes
Glass cleaning system		continuous air flow	continuous air flow	continuous air flow	continuous air flow	continuous air flow
WiFi module- Bluetooth for App MyPIAZZETTA		standard	standard	standard	standard	standard
Ash vacuum cleaner		standard	standard	standard	standard	standard
Conveyor as standard		steel	steel	steel	steel	steel
Optional remote control		-	-	-	-	-
Optional side air vents		-	-	-	-	-
Optional directional front air vents		-	-	-	-	-
Installation		wall - corner	wall - corner	wall - corner	wall - corner	wall - corner

\*\* Calculated on the basis of nominal heat output, referring to rooms with a heating requirement between 0.060 and 0.035 kW per m<sup>3</sup>. We recommend always contacting a heating engineer for the final calculations.

Data obtained under laboratory conditions using pellets with heat production rated at greater than or equal to 4.9 kWh/kg. Consumption varies according to the dimensions and type of pellets used.

# PELLET STUBOTTO

## BERNA pellet



### GENERAL CHARACTERISTICS

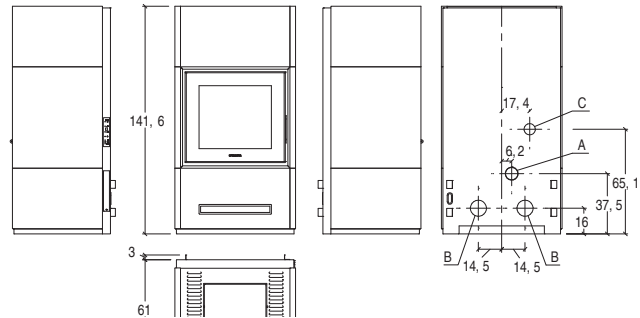
- Heating: Multifuoco System® with 4 speed levels, manually or automatically controlled. Ductable hot air
- Multicomfort Plus: Standard
- Multicomfort: Standard
- Dual Power System: yes
- Front ventilation: directional air vent
- Eco / Energy saving function: yes / yes
- Cladding / Top surface: majolica / majolica
- Stove: airtight steel
- Firebox: cast iron
- Smoke baffle plate / Brazier: cast iron / steel
- Door / Handle: cast iron with self-cleaning ceramic glass resistant up to 750°C / detachable
- Ceramic glass: resistant up to 750°C
- Standard flue outlet position: rear left
- LCD remote control: optional
- WiFi module- Bluetooth for App MyPIAZZETTA: standard
- Control panel with digital controls: yes
- Power level: 5
- Room temperature probe for temperature management: standard
- Wireless probe for temperature management: optional
- Programmable timer-thermostat: 6 daily time period settings
- Pellet level sensor: yes
- Regular brazier cleaning: yes
- Glass cleaning: continuous air flow
- Ash vacuum cleaner: standard
- Installation: wall - corner
- Conveyor: steel
- Convection heating Majolica: yes
- Pellet Quality system function: yes
- Air combustion System function: yes

### TECHNICAL DATA

		BERNA
• Model		SP480-02
• Type		235 - 400
• Room heating capacity (min - max)	m <sup>3</sup>	4,4 - 14,0
• Nominal heat output (min - max)	kW	89,1 - 91,3
• Thermal efficiency (min - max)	%	1,01 - 3,13
• Nominal consumption (min - max)	kg/h	60
• Hopper capacity	kg	250
• Stove weight	kg	



		CODE	EURO
<b>TOTAL PRICE</b>			<b>7.660,00</b>
Cladding	BIANCO	P06252300C	2.110,00
	NERO OPACO	P06252160C	2.110,00
	ROSSO LAVA	P06252450C	2.110,00
	TERRA COTTA	P06252090C	2.110,00
Stove	BERNA	P07974300C	5.550,00
<b>Accessories on request</b>			
	Wireless temperature probe kit	N08013024C	70,00
	LCD remote control	P08062070C	120,00
	Flexible pipe Ø 6 cm for combustion air	N08011017	19,00 per linear metre



All dimensions in cm.

# PELLET STUBOTTO

## BRUNICO



### GENERAL CHARACTERISTICS

- Heating: Multifuoco System® with 4 speed levels, manually or automatically controlled. Ductable hot air
- Multicomfort Plus: Standard
- Multicomfort: Standard
- Dual Power System: 4 speed levels, manually or automatically controlled
- Front ventilation: directional air vent
- Natural Mode: yes
- Eco / Energy saving function: yes / yes
- Cladding / Top surface: majolica / majolica
- Stove: airtight steel
- Firebox: cast iron
- Smoke baffle plate / Brazier: cast iron / cast iron
- Door / Handle: cast iron with self-cleaning ceramic glass resistant up to 750°C / steel
- Standard flue outlet position: rear left
- LCD remote control: optional
- WiFi module- Bluetooth for App MyPIAZZETTA: standard
- Control panel with digital controls: yes
- Power level: 5
- Room temperature probe for temperature management: standard
- Wireless probe for temperature management: optional
- Programmable timer-thermostat: 6 daily time period settings
- Pellet level sensor: yes
- Regular brazier cleaning: yes
- Glass cleaning: continuous air flow
- Ash vacuum cleaner: standard
- Installation: wall - corner
- Conveyor: steel
- Convection heating Majolica: yes
- Pellet Quality system function: yes
- Air combustion System function: yes

### TECHNICAL DATA

		BRUNICO
• Model		SP410-06
• Type		185 - 315
• Room heating capacity (min - max)	m <sup>3</sup>	3,8 - 11,0
• Nominal heat output (min - max)	kW	89,4 - 91,6
• Thermal efficiency (min - max)	%	0,9 - 2,5
• Nominal consumption (min - max)	kg/h	40
• Hopper capacity	kg	257
• Stove weight	kg	

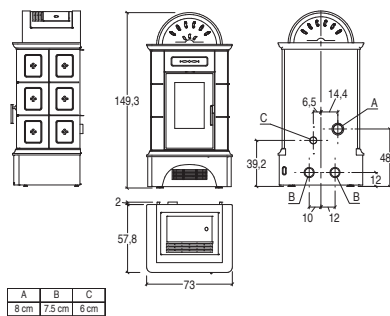
		CODE	EURO
<b>TOTAL PRICE</b>			<b>6.985,00</b>
Cladding	Dome, sides and surrounds Bianco	P15044300C	2.270,00
	Dome Bianco Antico, sides and surrounds Blu Verdemare	P15044113C	2.270,00
	Dome Bianco Antico, sides and surrounds Canapa	P15044353C	2.270,00
	Dome Bianco Antico, sides and surrounds Terra Bruna	P15044323C	2.270,00
	Dome Bianco Antico, sides and surrounds Verde Mirto	P15044253C	2.270,00

		CODE	EURO
<b>TOTAL PRICE</b>			<b>7.375,00</b>
Cladding	Dome and sides Bianco Antico. Surrounds, side and dome decorations Blu Verdemare	P15044112C	2.660,00
	Dome and sides Bianco Antico. Surrounds, side and dome decorations Canapa	P15044352C	2.660,00
	Dome and sides Bianco Antico. Surrounds, side and dome decorations Terra Bruna	P15044322C	2.660,00
	Dome and sides Bianco Antico. Surrounds, side and dome decorations Verde Mirto	P15044252C	2.660,00
	Stove	SP410-06	P07041000C

Essential kit	Top kit element (necessary for installation)	P08063000C	200,00
---------------	--	------------	--------

### Accessories on request

Wireless temperature probe kit	N08013024C	70,00
Hot air ducting kit	N08019042C	35,00
LCD remote control	P08062070C	120,00
Flexible pipe Ø 6 cm for combustion air	N08011017	19,00 per linear metre



All dimensions in cm.



# PELLET STUBOTTO

## CANAZEI



### GENERAL CHARACTERISTICS

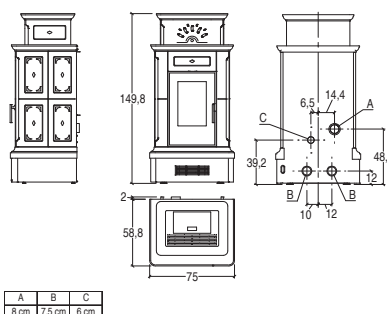
- Heating: Multifuoco System® with 4 speed levels, manually or automatically controlled. Ductable hot air
- Multicomfort Plus: Standard
- Multicomfort: Standard
- Dual Power System: 4 speed levels, manually or automatically controlled
- Front ventilation: directional air vent
- Natural Mode: yes
- Eco / Energy saving function: yes / yes
- Cladding / Top surface: majolica / majolica
- Stove: airtight steel
- Firebox: cast iron
- Smoke baffle plate / Brazier: cast iron / cast iron
- Door / Handle: cast iron with self-cleaning ceramic glass resistant up to 750°C / steel
- Standard flue outlet position: rear left
- LCD remote control: optional
- WiFi module- Bluetooth for App MyPIAZZETTA: standard
- Control panel with digital controls: yes
- Power level: 5
- Room temperature probe for temperature management: standard
- Wireless probe for temperature management: optional
- Programmable timer-thermostat: 6 daily time period settings
- Pellet level sensor: yes
- Regular brazier cleaning: yes
- Glass cleaning: continuous air flow
- Ash vacuum cleaner: standard
- Installation: wall - corner
- Conveyor: steel
- Convection heating Majolica: yes
- Pellet Quality system function: yes
- Air combustion System function: yes

### TECHNICAL DATA

		CANAZEI
• Model		SP410-06
• Type		185 - 315
• Room heating capacity (min - max)	m <sup>3</sup>	3,8 - 11,0
• Nominal heat output (min - max)	kW	89,4 - 91,6
• Thermal efficiency (min - max)	%	0,9 - 2,5
• Nominal consumption (min - max)	kg/h	43
• Hopper capacity	kg	267
• Stove weight	kg	



		CODE	EURO
<b>TOTAL PRICE</b>			<b>7.230,00</b>
Cladding	Dome, sides and surrounds Bianco	P15045300C	2.515,00
	Dome, sides and surrounds Blu Verdemare	P15045110C	2.515,00
	Dome, sides and surrounds Canapa	P15045350C	2.515,00
	Dome, sides and surrounds Terra Bruna	P15045320C	2.515,00
	Dome, sides and surrounds Verde Mirto	P15045250C	2.515,00
<b>TOTAL PRICE</b>			<b>7.620,00</b>
Cladding	Dome, sides and surrounds Bianco Antico. Side and dome decorations Blu Verdemare	P15045114C	2.905,00
	Dome, sides and surrounds Bianco Antico. Side and dome decorations Canapa	P15045354C	2.905,00
	Dome, sides and surrounds Bianco Antico. Side and dome decorations Terra Bruna	P15045324C	2.905,00
	Dome, sides and surrounds Bianco Antico. Side and dome decorations Verde Mirto	P15045254C	2.905,00
	Stove	SP410-06	P07041000C
Essential kit	Top kit element (necessary for installation)	P08063010C	200,00
<b>Accessories on request</b>			
	Wireless temperature probe kit	N08013024C	70,00
	Hot air ducting kit	N08019042C	35,00
	LCD remote control	P08062070C	120,00
	Flexible pipe Ø 6 cm for combustion air	N08011017	19,00 per linear metre



All dimensions in cm.

# PELLET STUBOTTO

## ORTISEI



### GENERAL CHARACTERISTICS

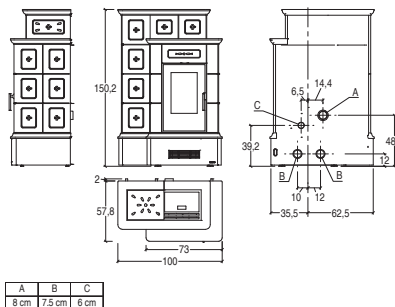
- Heating: Multifuoco System® with 4 speed levels, manually or automatically controlled. Ductable hot air
- Multicomfort Plus: Standard
- Multicomfort: Standard
- Dual Power System: 4 speed levels, manually or automatically controlled
- Front ventilation: directional air vent
- Natural Mode: yes
- Eco / Energy saving function: yes / yes
- Cladding / Top surface: majolica / majolica
- Stove: airtight steel
- Firebox: cast iron
- Smoke baffle plate / Brazier: cast iron / cast iron
- Door / Handle: cast iron with self-cleaning ceramic glass resistant up to 750°C / steel
- Standard flue outlet position: rear left
- LCD remote control: optional
- WiFi module- Bluetooth for App MyPIAZZETTA: standard
- Control panel with digital controls: yes
- Power level: 5
- Room temperature probe for temperature management: standard
- Wireless probe for temperature management: optional
- Programmable timer-thermostat: 6 daily time period settings
- Pellet level sensor: yes
- Regular brazier cleaning: yes
- Glass cleaning: continuous air flow
- Ash vacuum cleaner: standard
- Installation: wall - corner
- Conveyor: steel
- Convection heating Majolica: yes
- Pellet Quality system function: yes
- Air combustion System function: yes

### TECHNICAL DATA

		ORTISEI
• Model		SP410-06
• Type		185 - 315
• Room heating capacity (min - max)	m <sup>3</sup>	3,8 - 11,0
• Nominal heat output (min - max)	kW	89,4 - 91,6
• Thermal efficiency (min - max)	%	0,9 - 2,5
• Nominal consumption (min - max)	kg/h	43
• Hopper capacity	kg	302
• Stove weight	kg	



		CODE	EURO
<b>TOTAL PRICE</b>			<b>8.875,00</b>
Cladding	Dome, sides and surrounds Bianco	P15046300C	2.895,00
	Dome, sides and surrounds Blu Verdemare	P15046110C	2.895,00
	Dome, sides and surrounds Canapa	P15046350C	2.895,00
	Dome, sides and surrounds Terra Bruna	P15046320C	2.895,00
	Dome, sides and surrounds Verde Mirto	P15046250C	2.895,00
<b>TOTAL PRICE</b>			<b>9.325,00</b>
Cladding	Dome, sides and surrounds Bianco Antico. Side and dome decorations Blu Verdemare	P15046114C	3.345,00
	Dome, sides and surrounds Bianco Antico. Side and dome decorations Canapa	P15046354C	3.345,00
	Dome, sides and surrounds Bianco Antico. Side and dome decorations Terra Bruna	P15046324C	3.345,00
	Dome, sides and surrounds Bianco Antico. Side and dome decorations Verde Mirto	P15046254C	3.345,00
	Stove	SP410-06	P07041000C
Essential kit	Top kit element (necessary for installation)	P08063020C	1.465,00
<b>Accessories on request</b>			
	Wireless temperature probe kit	N08013024C	70,00
	Hot air ducting kit	N08019042C	35,00
	LCD remote control	P08062070C	120,00
	Flexible pipe Ø 6 cm for combustion air	N08011017	19,00 per linear metre



All dimensions in cm.



# PELLET STUBOTTO

## STUBOTTO C



### GENERAL CHARACTERISTICS

- Heating: Multifuoco System® with 4 speed levels, manually or automatically controlled. Ductable hot air
- Multicomfort Plus: Standard
- Multicomfort: Standard
- Dual Power System: yes
- Front ventilation: directional air vent
- Eco / Energy saving function: yes / yes
- Cladding / Top surface: majolica / majolica
- Stove: airtight steel
- Firebox: cast iron
- Smoke baffle plate / Brazier: cast iron / steel
- Door / Handle: cast iron with self-cleaning ceramic glass resistant up to 750°C / detachable
- Standard flue outlet position: rear left
- LCD remote control: optional
- WiFi module- Bluetooth for App MyPIAZZETTA: standard
- Control panel with digital controls: yes
- Power level: 5
- Room temperature probe for temperature management: standard
- Wireless probe for temperature management: optional
- Programmable timer-thermostat: 6 daily time period settings
- Pellet level sensor: yes
- Regular brazier cleaning: yes
- Glass cleaning: continuous air flow
- Ash vacuum cleaner: standard
- Installation: wall - corner
- Conveyor: steel
- Convection heating Majolica: yes
- Pellet Quality system function: yes
- Air combustion System function: yes

### TECHNICAL DATA

		STUBOTTO C
• Model		SP480-02
• Type		
• Room heating capacity (min - max)	m <sup>3</sup>	235 - 400
• Nominal heat output (min - max)	kW	4,4 - 14,0
• Thermal efficiency (min - max)	%	89,1 - 91,3
• Nominal consumption (min - max)	kg/h	1,01 - 3,13
• Hopper capacity	kg	45
• Stove weight	kg	275



CODE EURO

TOTAL PRICE			<b>7.810,00</b>
Cladding	BIANCO	P15095300C	2.260,00

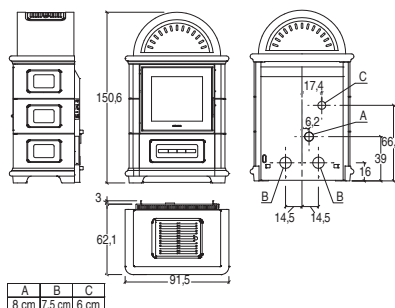
TOTAL PRICE			<b>8.180,00</b>
-------------	--	--	-----------------

Cladding	Dome Bianco Antico. Sides, surrounds and dome decorations Canapa	P15095351C	2.630,00
	Dome Bianco Antico. Sides, surrounds and dome decorations Rosso Lava	P15095451C	2.630,00
	Dome and sides Bianco Antico. Surrounds, side and dome decorations Canapa	P15095352C	2.630,00
	Dome and sides Bianco Antico. Surrounds, side and dome decorations Terra Bruna	P15095322C	2.630,00
	Dome and sides Bianco Antico. Surrounds, side and dome decorations Verde Mirto	P15095252C	2.630,00

Stove	STUBOTTO C	P07974200C	5.550,00
-------	------------	------------	----------

#### Accessories on request

Wireless temperature probe kit	N08013024C	70,00
LCD remote control	P08062070C	120,00
Flexible pipe Ø 6 cm for combustion air	N08011017	19,00 per linear metre






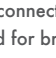



All dimensions in cm.

# PELLET STUBOTTO

## Accessories

### ACCESSORIES FOR HOT AIR DUCTING











ITEM	DIMENSIONS IN CM	UNITS PER PACK	CODE	EURO
 Hot air ducting kit (BRUNICO, CANAZEI, ORTISEI)			N08019042C	35,00
 Flexible aluminium pipe <sup>[1]</sup>	Ø 7,5	linear metre	N08011005	19,00 per linear metre
 Aluminium Y connector for pellet stoves <sup>[2]</sup>	Ø 7,5	10	N08011016	27,00
 Aluminium Y connector for pellet stoves and for branching the hot air ducts <sup>[3]</sup>	Ø 7,5	10	N08011006	30,00
 90° aluminium bend	Ø 7,5	10	N08011007	30,00
 Pipe clamp	Ø 7,5	50	N08011008	5,00
 Connector sleeve	Ø 7,5	50	N08011009	10,00

[1] Available in 30 meter roll, minimum order quantity: 1 meter.


[2] For connecting the Multifuoco System fan to the flex pipe for ducting hot air.

[3] Used for branching the hot air ducts.


### AIR VENTS

ITEM	DIMENSIONS IN CM	UNITS PER PACK	CODE	EURO
 Air vent with closure, enamelled white	L 25 x H 12 Ø 7,5	10	N08011001	58,00
 Wall air vent with closure, enamelled white	L 25 x H 11 Ø 7,5	6	N08011002	83,00
 Wall air vent, blasted steel	L 22 x H 5 Ø 7,5	1	NI08012400-0	154,00
 Wall air vent, black enamelled steel	L 22 x H 5 Ø 7,5	1	NI08014190-0	115,00
 Wall air vent, white enamelled steel	L 22 x H 5 Ø 7,5	1	NI08014400-0	115,00
 Wall air vent, blasted steel	L 43 x H 5 Ø 7,5	1	NI08012410-0	258,00
 Wall air vent, black enamelled steel	L 43 x H 5 Ø 7,5	1	NI08014200-0	214,00
 Wall air vent, white enamelled steel	L 43 x H 5 Ø 7,5	1	NI08014410-0	214,00
 Air vent without closure, made of white-painted steel	L 9,5 x H 9,5 Ø 7,0	1	N08011003	64,00
 Air vent with closure, made of white-painted steel	L 9,5 x H 9,5 Ø 7,0	1	N08011004	70,00

### WIRELESS TEMPERATURE PROBE KIT

ITEM	COMPATIBLE MODELS	CODE	EURO
 Wireless temperature probe kit	All models	N08013024C	70,00


### REMOTE CONTROL

ITEM	COMPATIBLE MODELS	CODE	EURO
 Remote control	All models	P08062070C	120,00



# PELLET STUBOTTO

## Accessories

### ACCESSORIES FOR COMBUSTION AIR










ITEM	COMPATIBLE MODELS	CODE	EURO
 Flexible pipe Ø 6 cm for combustion air	All models	N08011017	19,00 per linear metre
 Aeration grille with spring for wall hole Ø 6,0-7,5 cm	All models	N08010014	5,00

### FLOOR PROTECTION

ITEM	COMPATIBLE MODELS	DIMENSIONS IN CM	CODE	EURO
 Rectangular steel floor plate	All models	100x120	P08024300C	325,00
 Round edged steel floor plate	All models	100x120	P08024310C	325,00

### PIPES - BENDS - CONNECTORS FOR PELLET APPLIANCES

Aluminium coated steel connecting flue pipes single wall, 2 mm thick, V2 corrosion resistance class, EN 1856-2 compliant

ITEM	DIMENSIONS IN CM	Ø MM	CODE	EURO
 Pipe with inspection	L 25	80	P08025890	44,00
 Pipe	L 25	80	P08025370	39,00
	L 50	80	P08025380	64,00
	L 100	80	P08025390	96,00
 Bend 90° with inspection	L 16 x H 16	80	P08025910	96,00
 Bend 90°	L 16 x H 16	80	P08025400	89,00
 Bend 45°	L 12 x H 12	80	P08025410	64,00
 T-fitting w/RH and LH side inspection port	L 14 x H 18	80	P08027250	115,00
 T-fitting w/inspection port	L 18 x H 14	80	P08025430	102,00
 Flue ring	-	80	P08025490	34,00
 Wall connector	-	80	P08025550	34,00



## WOOD-BURNING STOVES

Data charts . . . . .	140		
BONNY . . . . .	153		
THELMA . . . . .	154		
CIRCLE Hermetic . . . . .	155		
CIRCLE Hermetic BCS . . . . .	157		
QUBE 1 . . . . .	159		
QUBE 2 . . . . .	160		
QUBE 3 . . . . .	161		
QUBE 4 . . . . .	162		
ROUND Hermetic . . . . .	163		
ROUND Hermetic BCS . . . . .	164		
ROUND-H Hermetic . . . . .	165		
ROUND-H Hermetic BCS . . . . .	166		
ROUND-M Hermetic . . . . .	167		
ROUND-M Hermetic BCS . . . . .	168		
E520 . . . . .	169		
E520 STEEL . . . . .	170		
E520 C . . . . .	171		
E520 T STEEL . . . . .	172		
E530 . . . . .	173		
E530 STEEL . . . . .	174		
E530 C . . . . .	175		
E530 T STEEL . . . . .	176		
E900 M with oven . . . . .	177		
E924 Hermetic . . . . .	178		
E924 Hermetic BCS . . . . .	180		
E924 A Hermetic . . . . .	182		
E924 A Hermetic BCS . . . . .	184		
E924 A-H Hermetic . . . . .	186		
E924 A-H Hermetic BCS . . . . .	188		
E924 H Hermetic . . . . .	190		
E924 H Hermetic BCS . . . . .	192		
E924 M Hermetic . . . . .	194		
E924 M Hermetic BCS . . . . .	196		
E928 . . . . .	198		
E928 Hermetic BCS . . . . .	199		
E928 A . . . . .	200		
E928 A Hermetic BCS . . . . .	201		
E928 C . . . . .	202		
E928 C Hermetic BCS . . . . .	203		
E928 C-H . . . . .	204		
E928 C-H Hermetic BCS . . . . .	205		
E928 C-M . . . . .	206		
E928 C-M Hermetic BCS . . . . .	207		
E928 H . . . . .	208		
E928 H Hermetic BCS . . . . .	209		
E928 M . . . . .	210		
E928 M Hermetic BCS . . . . .	210		
E928 R . . . . .	212		
E928 STEEL . . . . .	213		
E928 S with food warmer . . . . .	214		
E928 S Hermetic BCS with food warmer . . . . .	215		
E929 C Hermetic . . . . .	216		
E929 C Hermetic BCS . . . . .	217		
E929 C-H Hermetic . . . . .	218		
E929 C-H Hermetic BCS . . . . .	219		
E929 D Hermetic . . . . .	220		
E929 D Hermetic BCS . . . . .	221		
E929 D-H Hermetic . . . . .	222		
E929 D-H Hermetic BCS . . . . .	223		
E929 M Hermetic . . . . .	224		
E929 M Hermetic BCS . . . . .	225		
E929 M-H Hermetic . . . . .	226		
E929 M-H Hermetic BCS . . . . .	227		
E929 T Hermetic . . . . .	228		
E929 T Hermetic BCS . . . . .	229		
Accessories . . . . .	244		

# WOOD-BURNING STOVES

## Data charts



Technical data	Units	BONNY	THELMA	CIRCLE Hermetic	CIRCLE Hermetic BCS
Opzional Forced air		yes	yes	-	-
Ductable		yes	yes	-	-
Natural convection		yes	yes	yes	yes
Hermetic		-	-	yes	yes
Oven		-	-	-	-
Model		BONNY	THELMA	CIRCLE	CIRCLE BCS
Type		SL322-02	SL322-02	SL300-03	SL301-03
Energy efficiency class		A	A	A+	A+
Room heating capacity *	m <sup>3</sup>	150 - 260	150 - 260	120 - 210	120 - 210
Nominal heat output max	kW	9,0	9,0	7,2	7,2
Nominal thermal efficiency	%	80,5	80,5	85,1	85,3
Nominal consumption	kg/h	2,7	2,7	1,9	1,9
Standard flue outlet Ø	cm	15	15	15	15
Dimensions W x D x H	cm	80,5 x 46 x 109	71 x 46 x 100	49 x 49 x 122	49 x 49 x 122
Dimensions W x D x H without feet	cm	-	-	-	-
Dimensions W x D x H with optional bench	cm	-	-	-	-
Size of wood pieces	cm	40 - 43	40 - 43	27 - 30	27 - 30
Firebox opening W x H	cm	36 x 32,5	36 x 32,5	22,5 x 34,5	22,5 x 34,5
Weight	kg	164	165	140	140
Weight incl. HSS	kg	-	-	170	170
Weight incl. Heat Extender System	kg	-	-	-	-
Oven W x D x H	cm	-	-	-	-
Heating		Multifuoco System® with 4 speed levels, optional. Ductable hot air / Natural convection	Multifuoco System® with 4 speed levels, optional. Ductable hot air / Natural convection	optional HSS heat storage system / natural convection	optional HSS heat storage system / natural convection
Front ventilation		directional air vent	directional air vent	-	-
Bench in majolica		-	-	-	-
Cladding		majolica	majolica	majolica	majolica
Stove		steel	steel	airtight, steel	airtight, steel
Firebox		Aluker®	Aluker®	Aluker®	Aluker®
Smoke baffle plate / Brazier		Aluker® / cast iron	Aluker® / cast iron	Aluker® - Skamolex / cast iron	Aluker® - Skamolex / cast iron
Door / Handle		cast iron with self-cleaning ceramic glass resistant up to 750°C / painted steel, detachable	cast iron with self-cleaning ceramic glass resistant up to 750°C / painted steel, detachable	steel with self-cleaning ceramic glass resistant up to 750°C / steel and silicone	steel with self-cleaning ceramic glass resistant up to 750°C / steel and silicone
Ceramic glass		-	-	-	-
Removable ash drawer		yes	yes	yes	yes
Oven		-	-	-	-
Standard flue outlet position		top	top	top	top
Adjustable hood		-	-	-	-
Humidifier		stainless steel	stainless steel	stainless steel ( not compatible with storage kit )	stainless steel ( not compatible with storage kit )
Stove base		-	-	rotating or fixed	rotating or fixed
Steel feet as standard supply		-	-	removable	removable
Steel /ceramic feet as standard		-	-	-	-
Primary and secondary air		adjustable	adjustable	-	-
Pre-heated primary and secondary air		-	-	adjustable	electronically controlled
Pre-set tertiary air		pre-heated	pre-heated	pre-heated	pre-heated
Glass cleaning system		continuous air flow	continuous air flow	continuous air flow	continuous air flow
Burn Control System		-	-	-	yes
Heat Extender System		-	-	-	-
HSS Heat Storage System		-	-	optional (only compatible with top flue version)	optional (only compatible with top flue version)
Combustion air kit		-	-	standard	standard
Ash vacuum cleaner		optional	optional	optional	optional
Installation		wall - corner	wall - corner	room centre - wall - corner	room centre - wall - corner

\* Calculated on the basis of nominal heat output, referring to rooms with a heating requirement between 0.060 and 0.035 kW per m<sup>3</sup>. We recommend always contacting a heating engineer for the final calculations.

# WOOD-BURNING STOVES

## Data charts



QUBE 1	QUBE 2	QUBE 3	QUBE 4	ROUND Hermetic	ROUND Hermetic BCS
yes	yes	yes	yes	yes	yes
yes	yes	yes	yes	yes	-
yes	yes	yes	yes	yes	yes
-	-	-	-	yes	yes
-	-	-	-	-	-
QUBE 1	QUBE 2	QUBE 3	QUBE 4	ROUND	ROUND BCS
SL321-02	SL321-02	SL321-02	SL321-02	SL310-04	SL311-03
A	A	A	A	A+	A+
150 - 260	150 - 260	150 - 260	150 - 260	135 - 230	130 - 220
9,0	9,0	9,0	9,0	7,9	7,7
80,5	80,5	80,5	80,5	85,7	85,6
2,7	2,7	2,7	2,7	2,2	2,1
15	15	15	15	15	15
59,5 x 47 x 63	59,5 x 47 x 119	59,5 x 47 x 124	59,5 x 47 x 175	54 x 54 x 120	54 x 54 x 120
-	-	-	-	-	-
-	-	-	-	30 - 33	30 - 33
36 x 32,5	36 x 32,5	36 x 32,5	36 x 32,5	29 x 40	29 x 40
150 without bench 180 with bench	205	211	250	162	162
-	-	-	-	-	-
-	-	-	-	-	-
Multifuoco System® with 4 speed levels, optional. Ductable hot air / Natural convection	Multifuoco System® with 4 speed levels, optional. Ductable hot air / Natural convection	Multifuoco System® with 4 speed levels, optional. Ductable hot air / Natural convection	Multifuoco System® with 4 speed levels, optional. Ductable hot air / Natural convection	Multifuoco System® with 4 speed levels, optional. Ductable hot air / HSS heat storage system / Natural convection	Multifuoco System Plus with 4 speed levels, optional. Ductable hot air / Natural convection
directional air vent	directional air vent	directional air vent	directional air vent	directional air vent	directional air vent
optional	-	-	-	-	-
majolica	majolica	majolica	majolica	majolica	majolica
steel	steel	steel	steel	airtight, steel	airtight, steel
Aluker®	Aluker®	Aluker®	Aluker®	Aluker®	Aluker®
Aluker® / cast iron	Aluker® / cast iron	Aluker® / cast iron	Aluker® / cast iron	Aluker® - Skamolex / cast iron	Aluker® - Skamolex / cast iron
cast iron with self-cleaning ceramic glass resistant up to 750°C / painted steel, detachable	cast iron with self-cleaning ceramic glass resistant up to 750°C / painted steel, detachable	cast iron with self-cleaning ceramic glass resistant up to 750°C / painted steel, detachable	cast iron with self-cleaning ceramic glass resistant up to 750°C / painted steel, detachable	steel with self-cleaning ceramic glass resistant up to 750°C / steel and silicone	steel with self-cleaning ceramic glass resistant up to 750°C / steel and silicone
-	-	-	-	-	-
yes	yes	yes	yes	yes	yes
top (anti-condensation installation, standard)	top (anti-condensation installation, standard)	top or rear (anti-condensation installation, standard)	top or rear (anti-condensation installation, standard)	top or rear	top or rear
-	-	-	-	-	-
-	-	-	-	stainless steel	stainless steel
-	-	-	-	-	-
-	-	-	-	removable	removable
-	-	-	-	-	-
adjustable	adjustable	adjustable	adjustable	-	-
-	-	-	-	adjustable	electronically controlled
pre-heated	pre-heated	pre-heated	pre-heated	pre-heated	pre-heated
continuous air flow	continuous air flow	continuous air flow	continuous air flow	continuous air flow	continuous air flow
-	-	-	-	-	yes
-	-	-	-	-	-
-	-	-	-	-	-
optional	optional	optional	optional	optional	optional
wall - corner	wall - corner	wall - corner	wall - corner	wall - corner	wall - corner

Data obtained using beech wood with moisture content below 16%. Consumption varies according to the type of wood used.



# WOOD-BURNING STOVES

## Data charts



Technical data	Units	ROUND-H Hermetic	ROUND-H Hermetic BCS	ROUND-M Hermetic	ROUND-M Hermetic BCS
Opzional Forced air		yes	yes	yes	yes
Ductable		yes	-	yes	-
Natural convection		yes	yes	yes	yes
Hermetic		yes	yes	yes	yes
Oven		-	-	-	-
Model		ROUND-H	ROUND-H BCS	ROUND-M	ROUND-M BCS
Type		SL310-04	SL311-03	SL310-04	SL311-03
Energy efficiency class		A+	A+	A+	A+
Room heating capacity *	m <sup>3</sup>	135 - 230	130 - 220	135 - 230	130 - 220
Nominal heat output max	kW	7,9	7,7	7,9	7,7
Nominal thermal efficiency	%	85,7	85,6	85,7	85,6
Nominal consumption	kg/h	2,2	2,1	2,2	2,1
Standard flue outlet Ø	cm	15	15	15	15
Dimensions W x D x H	cm	54 x 54 x 166	54 x 54 x 166	54 x 54 x 136	54 x 54 x 136
Dimensions W x D x H without feet	cm	-	-	-	-
Dimensions W x D x H with optional bench	cm	-	-	-	-
Size of wood pieces	cm	30 - 33	30 - 33	30 - 33	30 - 33
Firebox opening W x H	cm	29 x 40	29 x 40	29 x 40	29 x 40
Weight	kg	185	185	170	170
Weight incl. HSS	kg	318	318	204	204
Weight incl. Heat Extender System	kg	-	-	-	-
Oven W x D x H	cm	-	-	-	-
Heating		Multifuoco System® with 4 speed levels, optional. Ductable hot air / HSS heat storage system / Natural convection	Multifuoco System Plus with 4 speed levels, optional. Ductable hot air / HSS heat storage system / Natural convection	Multifuoco System® with 4 speed levels, optional. Ductable hot air / HSS heat storage system / Natural convection	Multifuoco System Plus with 4 speed levels, optional. Ductable hot air / HSS heat storage system / Natural convection
Front ventilation		directional air vent	directional air vent	directional air vent	directional air vent
Bench in majolica		-	-	-	-
Cladding		steel	steel	majolica	majolica
Stove		airtight, steel	airtight, steel	airtight, steel	airtight, steel
Firebox		Aluker®	Aluker®	Aluker®	Aluker®
Smoke baffle plate / Brazier		Aluker® - Skamolex / cast iron	Aluker® - Skamolex / cast iron	Aluker® - Skamolex / cast iron	Aluker® - Skamolex / cast iron
Door / Handle		steel with self-cleaning ceramic glass resistant up to 750°C / steel and silicone	steel with self-cleaning ceramic glass resistant up to 750°C / steel and silicone	steel with self-cleaning ceramic glass resistant up to 750°C / steel and silicone	steel with self-cleaning ceramic glass resistant up to 750°C / steel and silicone
Ceramic glass		-	-	-	-
Removable ash drawer		yes	yes	yes	yes
Oven		-	-	-	-
Standard flue outlet position		top or rear ( rear flue not compatible with storage kit)	top or rear	top or rear ( rear flue not compatible with storage kit)	top or rear
Adjustable hood		-	-	-	-
Humidifier		-	-	-	-
Stove base		-	-	-	-
Steel feet as standard supply		removable	removable	removable	removable
Steel /ceramic feet as standard		-	-	-	-
Primary and secondary air		-	-	-	-
Pre-heated primary and secondary air		adjustable	electronically controlled	adjustable	electronically controlled
Pre-set tertiary air		pre-heated	pre-heated	pre-heated	pre-heated
Glass cleaning system		continuous air flow	continuous air flow	continuous air flow	continuous air flow
Burn Control System		-	yes	-	yes
Heat Extender System		-	-	-	-
HSS Heat Storage System		optional (only compatible with top flue version)	optional	optional (only compatible with top flue version)	optional
Combustion air kit		-	-	-	-
Ash vacuum cleaner		optional	optional	optional	optional
Installation		wall - corner	wall - corner	wall - corner	wall - corner

\* Calculated on the basis of nominal heat output, referring to rooms with a heating requirement between 0.060 and 0.035 kW per m<sup>3</sup>. We recommend always contacting a heating engineer for the final calculations.

# WOOD-BURNING STOVES

## Data charts



E520	E520 STEEL	E520 C	E520 T STEEL	E530	E530 STEEL	E530 C
yes	yes	yes	yes	yes	yes	yes
yes	-	yes	-	-	-	-
yes	yes	yes	yes	yes	yes	yes
-	-	-	-	-	-	-
-	-	-	-	-	-	-
E520	E520 ST	E520 C	E520 T ST	E530	E530 ST	E530 C
SL260-02	SL260-02	SL260-02	SL260-02	SL270-02	SL270-02	SL270-02
A+	A+	A+	A+	A+	A+	A+
110 - 190	110 - 190	110 - 190	110 - 190	145 - 245	145 - 245	145 - 245
6,5	6,5	6,5	6,5	8,5	8,5	8,5
87,7	87,7	87,7	87,7	89,7	89,7	89,7
1,81	1,81	1,81	1,81	2,19	2,19	2,19
15	15	15	15	15	15	15
47 x 45,5 x 100,9	47 x 45,5 x 100,9	47 x 45,5 x 100,9	52,5 x 50,3 x 100,9	56,6 x 56,3 x 120	56,6 x 56,3 x 120	56,6 x 56,3 x 120
-	-	-	-	-	-	-
25 - 30	25 - 30	25 - 30	25 - 30	40 - 43	40 - 43	40 - 43
27 x 25	27 x 25	27 x 25	27 x 25	34,5 x 38,5	34,5 x 38,5	34,5 x 38,5
127	118	122	125	174	140	168
-	-	-	-	205	-	199
158	149	153	156	-	171	-
-	-	-	-	-	-	-
Multifuoco System® with 4 speed levels, optional. Ductable hot air / Heat Extender System, optional / Natural convection air vent	Multifuoco System® with 4 speed levels, optional. Ductable hot air / Heat Extender System, optional / Natural convection air vent	Multifuoco System® with 4 speed levels, optional. Ductable hot air / Heat Extender System, optional / Natural convection air vent	Multifuoco System® with 4 speed levels, optional. Ductable hot air / Heat Extender System, optional / Natural convection air vent	Multifuoco System® with 4 speed levels, optional. Ductable hot air / Heat Extender System, optional / Natural convection air vent	Multifuoco System® with 4 speed levels, optional. Ductable hot air / Heat Extender System, optional / Natural convection air vent	Multifuoco System® with 4 speed levels, optional. Ductable hot air / Heat Extender System, optional / Natural convection air vent
-	-	-	-	-	-	-
majolica	steel	majolica	steel	majolica	steel	majolica
steel	steel	steel	steel	steel	steel	steel
Skamolex	Skamolex	Skamolex	Skamolex	Skamolex	Skamolex	Skamolex
Skamolex / cast iron	Skamolex / cast iron	Skamolex / cast iron	Skamolex / cast iron	Skamolex / cast iron	Skamolex / cast iron	Skamolex / cast iron
cast iron with self-cleaning ceramic glass resistant up to 750°C / steel	cast iron with self-cleaning ceramic glass resistant up to 750°C / steel	cast iron with self-cleaning ceramic glass resistant up to 750°C / steel	cast iron with self-cleaning ceramic glass resistant up to 750°C / steel	cast iron with self-cleaning ceramic glass resistant up to 750°C / steel	cast iron with self-cleaning ceramic glass resistant up to 750°C / steel	cast iron with self-cleaning ceramic glass resistant up to 750°C / steel
-	-	-	-	-	-	-
yes	yes	yes	yes	yes	yes	yes
-	-	-	-	-	-	-
top	top	top	top	top	top	top
-	-	-	-	-	-	-
-	-	-	-	-	-	-
-	-	-	-	-	-	-
adjustable	adjustable	adjustable	adjustable	adjustable	adjustable	adjustable
-	-	-	-	-	-	-
continuous air flow	continuous air flow	continuous air flow	continuous air flow	continuous air flow	continuous air flow	continuous air flow
-	-	-	-	-	-	-
optional	optional	optional	optional	optional	optional	optional
-	-	-	-	-	-	-
optional	optional	optional	optional	optional	optional	optional
wall - corner	wall - corner	wall - corner	wall - corner	wall - corner	wall - corner	wall - corner

Data obtained using beech wood with moisture content below 16%. Consumption varies according to the type of wood used.

# WOOD-BURNING STOVES

## Data charts



Technical data	Units	E530 T STEEL	E900 M WITH OVEN	E924 Hermetic	E924 Hermetic BCS
Opzional Forced air		yes	yes	-	-
Ductable		-	yes	-	-
Natural convection		yes	yes	yes	yes
Hermetic		-	-	yes	yes
Oven		-	yes	-	-
Model		E530 T ST	E900 M	E924	E924 BCS
Type		SL270-02	E900	SL300-03	SL301-03
Energy efficiency class		A+	A	A+	A+
Room heating capacity *	m <sup>3</sup>	145 - 245	220 - 375	120 - 210	120 - 210
Nominal heat output max	kW	8,5	13,0	7,2	7,2
Nominal thermal efficiency	%	89,7	79,0	85,1	85,3
Nominal consumption	kg/h	2,19	3,9	1,9	1,9
Standard flue outlet Ø	cm	15	18	15	15
Dimensions W x D x H	cm	60,1 x 62,6 x 122	78 x 63 x 145,5	46 x 46 x 114	46 x 46 x 114
Dimensions W x D x H without feet	cm	-	-	-	-
Dimensions W x D x H with optional bench	cm	-	-	-	-
Size of wood pieces	cm	40 - 43	40 - 43	27 - 30	27 - 30
Firebox opening W x H	cm	34,5 x 38,5	39 x 27	22,5 x 34,5	22,5 x 34,5
Weight	kg	155	305	141	141
Weight incl. HSS	kg	-	-	171	171
Weight incl. Heat Extender System	kg	186	-	-	-
Oven W x D x H	cm	-	-	-	-
Heating		Multifuoco System® with 4 speed levels, optional. Ductable hot air / Heat Extender System, optional / Natural convection	Multifuoco System® with 4 speed levels, optional. Ductable hot air / Natural convection	optional HSS heat storage system / natural convection	optional HSS heat storage system / natural convection
Front ventilation		air vent	directional air vent	-	-
Bench in majolica		-	-	-	-
Cladding		steel	majolica	majolica	majolica
Stove		steel	steel	airtight, steel	airtight, steel
Firebox		Skamolex	cast iron	Aluker®	Aluker®
Smoke baffle plate / Brazier		Skamolex / cast iron	steel / cast iron	Aluker® - Skamolex / cast iron	Aluker® - Skamolex / cast iron
Door / Handle		cast iron with self-cleaning ceramic glass resistant up to 750°C / steel	cast iron with self-cleaning ceramic glass resistant up to 750°C / brass	steel with self-cleaning ceramic glass resistant up to 750°C / steel and silicone	steel with self-cleaning ceramic glass resistant up to 750°C / steel and silicone
Ceramic glass		-	-	-	-
Removable ash drawer		yes	yes	yes	yes
Oven		-	stainless steel top (anticondensation intalation standard on top flue version)	-	-
Standard flue outlet position		top	intalation standard on top flue version)	top	top
Adjustable hood		-	-	-	-
Humidifier		-	-	stainless steel ( not compatable with storage kit )	stainless steel ( not compatable with storage kit )
Stove base		-	-	rotating or fixed	rotating or fixed
Steel feet as standard supply		-	-	-	-
Steel /ceramic feet as standard		-	-	-	-
Primary and secondary air		adjustable	adjustable	-	-
Pre-heated primary and secondary air		-	-	adjustable	electronically controlled
Pre-set tertiary air		-	-	pre-heated	pre-heated
Glass cleaning system		continuous air flow	continuous air flow	continuous air flow	continuous air flow
Burn Control System		-	-	-	yes
Heat Extender System		optional	-	-	-
HSS Heat Storage System		-	-	optional (only compatable with top flue version)	optional (only compatable with top flue version)
Combustion air kit		-	-	standard	standard
Ash vacuum cleaner		optional	optional	optional	optional
Installation		wall - corner	wall - corner	room centre - wall - corner	room centre - wall - corner

\* Calculated on the basis of nominal heat output, referring to rooms with a heating requirement between 0.060 and 0.035 kW per m<sup>3</sup>. We recommend always contacting a heating engineer for the final calculations.

# WOOD-BURNING STOVES

## Data charts



E924 A Hermetic	E924 A Hermetic BCS	E924 A-H Hermetic	E924 A-H Hermetic BCS	E924-H Hermetic	E924-H Hermetic BCS	E924 M Hermetic
-	-	-	-	-	-	-
-	-	-	-	-	-	-
yes	yes	yes	yes	yes	yes	yes
yes	yes	yes	yes	yes	yes	yes
-	-	-	-	-	-	-
E924 A	E924 A BCS	E924 A-H	E924 A-H BCS	E924-H	E924-H BCS	E924 M
SL300-03	SL301-03	SL300-03	SL301-03	SL300-03	SL301-03	SL300-03
A+	A+	A+	A+	A+	A+	A+
120 - 210	120 - 210	120 - 210	120 - 210	120 - 210	120 - 210	120 - 210
7,2	7,2	7,2	7,2	7,2	7,2	7,2
85,1	85,3	85,1	85,3	85,1	85,3	85,1
1,9	1,9	1,9	1,9	1,9	1,9	1,9
15	15	15	15	15	15	15
46 x 46 x 124	46 x 46 x 124	46 x 46 x 162	46 x 46 x 162	46 x 46 x 138	46 x 46 x 138	52 x 52 x 115
-	-	-	-	-	-	-
27 - 30	27 - 30	27 - 30	27 - 30	27 - 30	27 - 30	27 - 30
22,5 x 34,5	22,5 x 34,5	22,5 x 34,5	22,5 x 34,5	22,5 x 34,5	22,5 x 34,5	22,5 x 34,5
143	143	163	163	151	151	147
-	-	233	233	221	221	177
-	-	-	-	-	-	-
natural convection	natural convection	optional HSS heat storage system / natural convection	optional HSS heat storage system / natural convection	optional HSS heat storage system / natural convection	optional HSS heat storage system / natural convection	optional HSS heat storage system / natural convection
-	-	-	-	-	-	-
majolica	majolica	majolica	majolica	majolica	majolica	majolica
airtight, steel	airtight, steel	airtight, steel	airtight, steel	airtight, steel	airtight, steel	airtight, steel
Aluker®	Aluker®	Aluker®	Aluker®	Aluker®	Aluker®	Aluker®
Aluker® - Skamolex / cast iron	Aluker® - Skamolex / cast iron	Aluker® - Skamolex / cast iron	Aluker® - Skamolex / cast iron	Aluker® - Skamolex / cast iron	Aluker® - Skamolex / cast iron	Aluker® - Skamolex / cast iron
steel with self-cleaning ceramic glass resistant up to 750°C / steel and silicone	steel with self-cleaning ceramic glass resistant up to 750°C / steel and silicone	steel with self-cleaning ceramic glass resistant up to 750°C / steel and silicone	steel with self-cleaning ceramic glass resistant up to 750°C / steel and silicone	steel with self-cleaning ceramic glass resistant up to 750°C / steel and silicone	steel with self-cleaning ceramic glass resistant up to 750°C / steel and silicone	steel with self-cleaning ceramic glass resistant up to 750°C / steel and silicone
yes	yes	yes	yes	yes	yes	yes
-	-	-	-	-	-	-
top	top	top	top	top	top	top
-	-	-	-	-	-	-
-	-	-	-	-	-	stainless steel (not compatible with storage kit)
rotating or fixed	rotating or fixed	rotating or fixed	rotating or fixed	rotating or fixed	rotating or fixed	rotating or fixed
-	-	-	-	-	-	-
adjustable	electronically controlled	adjustable	electronically controlled	adjustable	electronically controlled	adjustable
pre-heated	pre-heated	pre-heated	pre-heated	pre-heated	pre-heated	pre-heated
continuous air flow	continuous air flow	continuous air flow	continuous air flow	continuous air flow	continuous air flow	continuous air flow
-	yes	-	yes	-	yes	-
-	-	optional (only compatible with top flue version)	optional (only compatible with top flue version)	optional (only compatible with top flue version)	optional (only compatible with top flue version)	optional (only compatible with top flue version)
standard	standard	standard	standard	standard	standard	standard
optional	optional	optional	optional	optional	optional	optional
room centre - wall - corner	room centre - wall - corner	room centre - wall - corner	room centre - wall - corner	room centre - wall - corner	room centre - wall - corner	room centre - wall - corner

Data obtained using beech wood with moisture content below 16%. Consumption varies according to the type of wood used.

# WOOD-BURNING STOVES

## Data charts



Technical data	Units	E924 M Hermetic BCS	E928	E928 Hermetic BCS	E928 A
Opzional Forced air		-	yes	yes	yes
Ductable		-	yes	yes	yes
Natural convection		yes	yes	yes	yes
Hermetic		yes	-	yes	-
Oven		-	-	-	-
Model		E924 M BCS	E928	E928 BCS	E928 A
Type		SL301-03	SL31-01	SL32-01	SL31-01
Energy efficiency class		A+	A+	A+	A+
Room heating capacity *	m <sup>3</sup>	120 - 210	185 - 315	185 - 320	185 - 315
Nominal heat output max	kW	7,2	11,0	11,1	11,0
Nominal thermal efficiency	%	85,3	86,0	86,6	86,0
Nominal consumption	kg/h	1,9	2,9	2,9	2,9
Standard flue outlet Ø	cm	15	15	15	15
Dimensions W x D x H	cm	52 x 52 x 115	57 x 45 x 127	57 x 45 x 127	57 x 45 x 141
Dimensions W x D x H without feet	cm	-	-	-	-
Dimensions W x D x H with optional bench	cm	-	-	-	-
Size of wood pieces	cm	27 - 30	37 - 40	37 - 40	37 - 40
Firebox opening W x H	cm	22,5 x 34,5	33 x 39,5	33 x 39,5	33 x 39,5
Weight	kg	147	240	245	255
Weight incl. HSS	kg	177	284	289	-
Weight incl. Heat Extender System	kg	-	-	-	-
Oven W x D x H	cm	-	-	-	-
Heating		optional HSS heat storage system / natural convection	Multifuoco System® with 4 speed levels, optional. Ductable hot air / HSS heat storage system / Natural convection	Multifuoco System Plus with 4 speed levels, optional. Ductable hot air / HSS heat storage system / Natural convection	Multifuoco System® with 4 speed levels, optional. Ductable hot air / Natural convection
Front ventilation		-	directional air vent	directional air vent	directional air vent
Bench in majolica		-	-	-	-
Cladding		majolica	majolica	majolica	majolica
Stove		airtight, steel	steel	airtight, steel	steel
Firebox		Aluker®	Aluker®	Aluker®	Aluker®
Smoke baffle plate / Brazier		Aluker® - Skamolex / cast iron	Aluker® / cast iron	Aluker® / cast iron	Aluker® / cast iron
Door / Handle		steel with self-cleaning ceramic glass resistant up to 750°C / steel and silicone	cast iron with self-cleaning ceramic glass resistant up to 750°C / steel and silicone	cast iron with self-cleaning ceramic glass resistant up to 750°C / steel and silicone	cast iron with self-cleaning ceramic glass resistant up to 750°C / steel and silicone
Ceramic glass		-	-	-	-
Removable ash drawer		yes	yes	yes	yes
Oven		-	-	-	-
Standard flue outlet position		top	top or rear (anticondensation intalation standard on top flue version)	top or rear (anticondensation intalation standard on top flue version)	top or rear (anticondensation intalation standard on top flue version)
Adjustable hood		-	-	-	-
Humidifier		stainless steel ( not compatible with storage kit)	stainless steel	stainless steel	stainless steel
Stove base		rotating or fixed	-	-	-
Steel feet as standard supply		-	-	-	-
Steel /ceramic feet as standard		-	-	-	-
Primary and secondary air		-	adjustable	-	adjustable
Pre-heated primary and secondary air		electronically controlled	-	electronically controlled	-
Pre-set tertiary air		pre-heated	pre-heated	pre-heated	pre-heated
Glass cleaning system		continuous air flow	continuous air flow	continuous air flow	continuous air flow
Burn Control System		yes	-	yes	-
Heat Extender System		-	-	-	-
HSS Heat Storage System		optional (only compatible with top flue version)	optional (only compatible with top flue version)	optional (only compatible with top flue version)	-
Combustion air kit		standard	optional	-	optional
Ash vacuum cleaner		optional	optional	optional	optional
Installation		room centre - wall - corner	wall - corner	wall - corner	wall - corner

\* Calculated on the basis of nominal heat output, referring to rooms with a heating requirement between 0.060 and 0.035 kW per m<sup>3</sup>. We recommend always contacting a heating engineer for the final calculations.

# WOOD-BURNING STOVES

## Data charts



E928 A Hermetic BCS	E928 C	E928 C Hermetic BCS	E928 C-H	E928 C-H Hermetic BCS	E928 C-M
yes	yes	yes	yes	yes	yes
yes	yes	yes	yes	yes	yes
yes	yes	yes	yes	yes	yes
yes	-	yes	-	yes	-
-	-	-	-	-	-
E928 A BCS	E928 C	E928 C BCS	E928 C-H	E928 C-H BCS	E928 C-M
SL32-01	SL31-01	SL32-01	SL31-01	SL32-01	SL31-01
A+	A+	A+	A+	A+	A+
185 - 320	185 - 315	185 - 320	185 - 315	185 - 320	185 - 315
11,1	11,0	11,1	11,0	11,1	11,0
86,6	86,0	86,6	86,0	86,6	86,0
2,9	2,9	2,9	2,9	2,9	2,9
15	15	15	15	15	15
57 x 45 x 141	65 x 48 x 144	65 x 48 x 144	65 x 48 x 209	65 x 48 x 209	65 x 48 x 176
-	-	-	-	-	-
37 - 40	37 - 40	37 - 40	37 - 40	37 - 40	37 - 40
33 x 39,5	33 x 39,5	33 x 39,5	33 x 39,5	33 x 39,5	33 x 39,5
260	260	265	310	315	285
-	313	318	571	576	456
-	-	-	-	-	-
Multifuoco System Plus with 4 speed levels, optional. Ductable hot air / Natural convection	Multifuoco System® with 4 speed levels, optional. Ductable hot air / HSS heat storage system / Natural convection	Multifuoco System Plus with 4 speed levels, optional. Ductable hot air / HSS heat storage system / Natural convection	Multifuoco System® with 4 speed levels, optional. Ductable hot air / HSS heat storage system / Natural convection	Multifuoco System Plus with 4 speed levels, optional. Ductable hot air / HSS heat storage system / Natural convection	Multifuoco System® with 4 speed levels, optional. Ductable hot air / HSS heat storage system / Natural convection
directional air vent	directional air vent (only available on cladding with air vent slot)	directional air vent (only available on cladding with air vent slot)	directional air vent (only available on cladding with air vent slot)	directional air vent (only available on cladding with air vent slot)	directional air vent (only available on cladding with air vent slot)
-	-	-	-	-	-
majolica airtight, steel Aluker®	majolica steel Aluker®	majolica airtight, steel Aluker®	majolica steel Aluker®	majolica airtight, steel Aluker®	majolica steel Aluker®
Aluker® / cast iron	Aluker® / cast iron	Aluker® / cast iron	Aluker® / cast iron	Aluker® / cast iron	Aluker® / cast iron
cast iron with self-cleaning ceramic glass resistant up to 750°C / steel and silicone	cast iron with self-cleaning ceramic glass resistant up to 750°C / steel and silicone	cast iron with self-cleaning ceramic glass resistant up to 750°C / steel and silicone	cast iron with self-cleaning ceramic glass resistant up to 750°C / steel and silicone	cast iron with self-cleaning ceramic glass resistant up to 750°C / steel and silicone	cast iron with self-cleaning ceramic glass resistant up to 750°C / steel and silicone
-	-	-	-	-	-
yes	yes	yes	yes	yes	yes
-	-	-	-	-	-
top or rear (anticondensation intalation standard on top flue version)	top or rear (anticondensation intalation standard on top flue version)	top or rear (anticondensation intalation standard on top flue version)	top or rear (anticondensation intalation standard on top flue version)	top or rear (anticondensation intalation standard on top flue version)	top or rear (anticondensation intalation standard on top flue version)
-	-	-	-	-	-
stainless steel	stainless steel	stainless steel	stainless steel	stainless steel	stainless steel
-	-	-	-	-	-
-	adjustable	-	adjustable	-	adjustable
electronically controlled	-	electronically controlled	-	electronically controlled	-
pre-heated	pre-heated	pre-heated	pre-heated	pre-heated	pre-heated
continuous air flow	continuous air flow	continuous air flow	continuous air flow	continuous air flow	continuous air flow
yes	-	yes	-	yes	-
-	optional (only compatible with top flue version)	optional (only compatible with top flue version)	optional (only compatible with top flue version)	optional (only compatible with top flue version)	optional (only compatible with top flue version)
-	optional	-	optional	-	optional
optional	optional	optional	optional	optional	optional
wall - corner	wall - corner	wall - corner	wall - corner	wall - corner	wall - corner

Data obtained using beech wood with moisture content below 16%. Consumption varies according to the type of wood used.



# WOOD-BURNING STOVES

## Data charts



Technical data	Units	E928 C-M Hermetic BCS	E928-H	E928-H Hermetic BCS	E928-M
Opzional Forced air		yes	yes	yes	yes
Ductable		yes	yes	yes	yes
Natural convection		yes	yes	yes	yes
Hermetic		yes	-	yes	-
Oven		-	-	-	-
Model		E928 C-M BCS	E928-H	E928-H BCS	E928 M
Type		SL32-01	SL31-01	SL32-01	SL31-01
Energy efficiency class		A+	A+	A+	A+
Room heating capacity *	m <sup>3</sup>	185 - 320	185 - 315	185 - 320	185 - 315
Nominal heat output max	kW	11,1	11,0	11,1	11,0
Nominal thermal efficiency	%	86,6	86,0	86,6	86,0
Nominal consumption	kg/h	2,9	2,9	2,9	2,9
Standard flue outlet Ø	cm	15	15	15	15
Dimensions W x D x H	cm	65 x 48 x 176	57 x 45 x 187	57 x 45 x 187	57 x 45 x 141
Dimensions W x D x H without feet	cm	-	-	-	-
Dimensions W x D x H with optional bench	cm	-	-	-	-
Size of wood pieces	cm	37 - 40	37 - 40	37 - 40	37 - 40
Firebox opening W x H	cm	33 x 39,5	33 x 39,5	33 x 39,5	33 x 39,5
Weight	kg	290	280	285	250
Weight incl. HSS	kg	456	524	529	337
Weight incl. Heat Extender System	kg	-	-	-	-
Oven W x D x H	cm	-	-	-	-
Heating		Multifuoco System Plus with 4 speed levels, optional. Ductable hot air / HSS heat storage system / Natural convection	Multifuoco System® with 4 speed levels, optional. Ductable hot air / HSS heat storage system / Natural convection	Multifuoco System Plus with 4 speed levels, optional. Ductable hot air / HSS heat storage system / Natural convection	Multifuoco System® with 4 speed levels, optional. Ductable hot air / HSS heat storage system / Natural convection
Front ventilation		directional air vent (only available on cladding with air vent slot)	directional air vent	directional air vent	directional air vent
Bench in majolica		-	-	-	-
Cladding		majolica	majolica	majolica	majolica
Stove		airtight, steel	steel	airtight, steel	steel
Firebox		Aluker®	Aluker®	Aluker®	Aluker®
Smoke baffle plate / Brazier		Aluker® / cast iron	Aluker® / cast iron	Aluker® / cast iron	Aluker® / cast iron
Door / Handle		cast iron with self-cleaning ceramic glass resistant up to 750°C / steel and silicone	cast iron with self-cleaning ceramic glass resistant up to 750°C / steel and silicone	cast iron with self-cleaning ceramic glass resistant up to 750°C / steel and silicone	cast iron with self-cleaning ceramic glass resistant up to 750°C / steel and silicone
Ceramic glass		-	-	-	-
Removable ash drawer		yes	yes	yes	yes
Oven		-	-	-	-
Standard flue outlet position		top or rear (anticondensation intalation standard on top flue version)	top or rear (anticondensation intalation standard on top flue version)	top or rear (anticondensation intalation standard on top flue version)	top or rear (anticondensation intalation standard on top flue version)
Adjustable hood		-	-	-	-
Humidifier		stainless steel	stainless steel	stainless steel	stainless steel
Stove base		-	-	-	-
Steel feet as standard supply		-	-	-	-
Steel /ceramic feet as standard		-	-	-	-
Primary and secondary air		-	adjustable	-	adjustable
Pre-heated primary and secondary air		electronically controlled	-	electronically controlled	-
Pre-set tertiary air		pre-heated	pre-heated	pre-heated	pre-heated
Glass cleaning system		continuous air flow	continuous air flow	continuous air flow	continuous air flow
Burn Control System		yes	-	yes	-
Heat Extender System		-	-	-	-
HSS Heat Storage System		optional (only compatible with top flue version)	optional (only compatible with top flue version)	optional (only compatible with top flue version)	optional (only compatible with top flue version)
Combustion air kit		-	optional	-	optional
Ash vacuum cleaner		optional	optional	optional	optional
Installation		wall - corner	wall - corner	wall - corner	wall - corner

\* Calculated on the basis of nominal heat output, referring to rooms with a heating requirement between 0.060 and 0.035 kW per m<sup>3</sup>. We recommend always contacting a heating engineer for the final calculations.



# WOOD-BURNING STOVES

## Data charts



E928-M Hermetic BCS	E928 R	E928 Steel	E928 S with food warmer	E928 S Hermetic BCS with food warmer	E929 C Hermetic
yes	yes	yes	yes	yes	yes
yes	yes	yes	yes	yes	yes
yes	yes	yes	yes	yes	yes
yes	yes	yes	-	yes	yes
-	-	-	-	-	-
E928-M BCS	E928 R	E928 ST	E928 S	E928 S BCS	E929 C
SL32-01	SL31-01	SL31-01	SL31-01	SL32-01	SL310-04
A+	A+	A+	A+	A+	A+
185 - 320	185 - 315	185 - 315	185 - 315	185 - 320	135 - 230
11,1	11,0	11,0	11,0	11,1	7,9
86,6	86,0	86,0	86,0	86,6	85,7
2,9	2,9	2,9	2,9	2,9	2,2
15	15	15	15	15	15
57 x 45 x 141	65 x 49,3 x 116,6	60,2 x 46,7 x 113,8	57 x 45 x 141	57 x 45 x 141	59 x 59 x 141
-	-	-	-	-	-
37 - 40	37 - 40	37 - 40	37 - 40	37 - 40	30 - 33
33 x 39,5	33 x 39,5	33 x 39,5	33 x 39,5	33 x 39,5	29 x 40
255	223	190	260	265	183
342	-	-	-	-	233
-	-	-	-	-	-
Multifuoco System Plus with 4 speed levels, optional. Ductable hot air / HSS heat storage system / Natural convection	Multifuoco System® with 4 speed levels, optional. Ductable hot air / Natural convection	Multifuoco System® with 4 speed levels, optional. Ductable hot air / Natural convection	Multifuoco System® with 4 speed levels, optional. Ductable hot air / Natural convection	Multifuoco System Plus with 4 speed levels, optional. Ductable hot air / Natural convection	Multifuoco System® with 4 speed levels, optional. Ductable hot air / HSS heat storage system / Natural convection
directional air vent	directional air vent	directional air vent	directional air vent	directional air vent	directional air vent (only available on cladding with air vent slot)
-	-	-	-	-	-
majolica	majolica	steel	majolica	majolica	majolica
airtight, steel	steel	steel	steel	airtight, steel	airtight, steel
Aluker®	Aluker®	Aluker®	Aluker®	Aluker®	Aluker®
Aluker® / cast iron	Aluker® / cast iron	Aluker® / cast iron	Aluker® / cast iron	Aluker® / cast iron	Aluker® - Skamolex / cast iron
cast iron with self-cleaning ceramic glass resistant up to 750°C / steel and silicone	cast iron with self-cleaning ceramic glass resistant up to 750°C / steel and silicone	cast iron with self-cleaning ceramic glass resistant up to 750°C / steel and silicone	cast iron with self-cleaning ceramic glass resistant up to 750°C / steel and silicone	cast iron with self-cleaning ceramic glass resistant up to 750°C / steel and silicone	steel with self-cleaning ceramic glass resistant up to 750°C / steel and silicone
yes	yes	yes	yes	yes	yes
-	-	-	-	-	-
top or rear (anticondensation intalation standard on top flue version)	top or rear (anticondensation intalation standard on top flue version)	top or rear (anticondensation intalation standard on top flue version)	top or rear (anticondensation intalation standard on top flue version)	top or rear (anticondensation intalation standard on top flue version)	top
-	-	-	-	-	-
stainless steel	stainless steel	stainless steel	stainless steel	stainless steel	-
-	-	-	-	-	-
-	adjustable	adjustable	adjustable	-	adjustable
electronically controlled	pre-heated	pre-heated	pre-heated	electronically controlled	pre-heated
pre-heated	continuous air flow	continuous air flow	continuous air flow	continuous air flow	continuous air flow
continuous air flow	-	-	-	yes	-
yes	-	-	-	-	-
optional (only compatable with top flue version)	-	-	-	-	optional
-	optional	optional	optional	optional	standard
optional	optional	optional	optional	optional	optional
wall - corner	wall - corner	wall - corner	wall - corner	wall - corner	room centre - wall - corner

Data obtained using beech wood with moisture content below 16%. Consumption varies according to the type of wood used.

# WOOD-BURNING STOVES

## Data charts

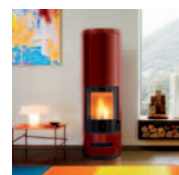


Technical data	Units	E929 C Hermetic BCS	E929 C-H Hermetic	E929 C-H Hermetic BCS	E929 D Hermetic
Opzional Forced air		yes	yes	yes	yes
Ductable		-	yes	-	yes
Natural convection		yes	yes	yes	yes
Hermetic		yes	yes	yes	yes
Oven		-	-	-	-
Model		E929 C BCS	E929 C-H	E929 C-H BCS	E929 D
Type		SL311-03	SL310-04	SL311-03	SL310-04
Energy efficiency class		A+	A+	A+	A+
Room heating capacity *	m <sup>3</sup>	130 - 220	135 - 230	130 - 220	135 - 230
Nominal heat output max	kW	7,7	7,9	7,7	7,9
Nominal thermal efficiency	%	85,6	85,7	85,6	85,7
Nominal consumption	kg/h	2,1	2,2	2,1	2,2
Standard flue outlet Ø	cm	15	15	15	15
Dimensions W x D x H	cm	59 x 59 x 141	59 x 59 x 191	59 x 59 x 191	55 x 55 x 115
Dimensions W x D x H without feet	cm	-	-	-	-
Dimensions W x D x H with optional bench	cm	-	-	-	-
Size of wood pieces	cm	30 - 33	30 - 33	30 - 33	30 - 33
Firebox opening W x H	cm	29 x 40	29 x 40	29 x 40	29 x 40
Weight	kg	183	206	206	164
Weight incl. HSS	kg	233	422	422	-
Weight incl. Heat Extender System	kg	-	-	-	-
Oven W x D x H	cm	-	-	-	-
Heating		Multifuoco System Plus with 4 speed levels, optional. Ductable hot air / HSS heat storage system / Natural convection	Multifuoco System® with 4 speed levels, optional. Ductable hot air / HSS heat storage system / Natural convection	Multifuoco System Plus with 4 speed levels, optional. Ductable hot air / HSS heat storage system / Natural convection	Multifuoco System® with 4 speed levels, optional. Ductable hot air / Natural convection
Front ventilation		directional air vent	directional air vent (only available on cladding with air vent slot)	directional air vent	directional air vent
Bench in majolica		-	-	-	-
Cladding		majolica	majolica	majolica	majolica
Stove		airtight, steel	airtight, steel	airtight, steel	airtight, steel
Firebox		Aluker®	Aluker®	Aluker®	Aluker®
Smoke baffle plate / Brazier		Aluker® - Skamolex / cast iron	Aluker® - Skamolex / cast iron	Aluker® - Skamolex / cast iron	Aluker® - Skamolex / cast iron
Door / Handle		steel with self-cleaning ceramic glass resistant up to 750°C / steel and silicone	steel with self-cleaning ceramic glass resistant up to 750°C / steel and silicone	steel with self-cleaning ceramic glass resistant up to 750°C / steel and silicone	steel with self-cleaning ceramic glass resistant up to 750°C / steel and silicone
Ceramic glass		-	-	-	-
Removable ash drawer		yes	yes	yes	yes
Oven		-	-	-	-
Standard flue outlet position		top	top	top	top or rear
Adjustable hood		-	-	-	-
Humidifier		-	-	-	stainless steel
Stove base		-	-	-	-
Steel feet as standard supply		-	-	-	-
Steel /ceramic feet as standard		-	-	-	-
Primary and secondary air		-	-	-	-
Pre-heated tertiary air		electronically controlled	adjustable	electronically controlled	adjustable
Pre-set tertiary air		pre-heated	pre-heated	pre-heated	pre-heated
Glass cleaning system		continuous air flow	continuous air flow	continuous air flow	continuous air flow
Burn Control System		yes	-	yes	-
Heat Extender System		-	-	-	-
HSS Heat Storage System		optional	optional	optional	-
Combustion air kit		standard	standard	standard	-
Ash vacuum cleaner		optional	optional	optional	optional
Installation		room centre - wall - corner	room centre - wall - corner	room centre - wall - corner	wall - corner

\* Calculated on the basis of nominal heat output, referring to rooms with a heating requirement between 0.060 and 0.035 kW per m<sup>3</sup>. We recommend always contacting a heating engineer for the final calculations.

# WOOD-BURNING STOVES

## Data charts



E929 D Hermetic BCS	E929 D-H Hermetic	E929 D-H Hermetic BCS	E929 M Hermetic	E929 M Hermetic BCS	E929 M-H Hermetic
yes	yes	yes	yes	yes	yes
-	yes	-	yes	-	yes
yes	yes	yes	yes	yes	yes
yes	yes	yes	yes	yes	yes
-	-	-	-	-	-
E929 D BCS	E929 D-H	E929 D-H BCS	E929 M	E929 M BCS	E929 M-H
SL311-03	SL310-04	SL311-03	SL310-04	SL311-03	SL310-04
A+	A+	A+	A+	A+	A+
130 - 220	135 - 230	130 - 220	135 - 230	130 - 220	135 - 230
7,7	7,9	7,7	7,9	7,7	7,9
85,6	85,7	85,6	85,7	85,6	85,7
2,1	2,2	2,1	2,2	2,1	2,2
15	15	15	15	15	15
55 x 55 x 115	55 x 55 x 170	55 x 55 x 170	55 x 55 x 115	55 x 55 x 115	55 x 55 x 170
-	-	-	-	-	-
30 - 33	30 - 33	30 - 33	30 - 33	30 - 33	30 - 33
29 x 40	29 x 40	29 x 40	29 x 40	29 x 40	29 x 40
164	194	194	163	163	191
-	360	360	-	-	357
-	-	-	-	-	-
Multifuoco System Plus with 4 speed levels, optional. Ductable hot air / Natural convection	Multifuoco System® with 4 speed levels, optional. Ductable hot air / HSS heat storage system / Natural convection	Multifuoco System Plus with 4 speed levels, optional. Ductable hot air / HSS heat storage system / Natural convection	Multifuoco System® with 4 speed levels, optional. Ductable hot air / Natural convection	Multifuoco System Plus with 4 speed levels, optional. Ductable hot air / Natural convection	Multifuoco System® with 4 speed levels, optional. Ductable hot air / HSS heat storage system / Natural convection
directional air vent	directional air vent	directional air vent	directional air vent	directional air vent	directional air vent
-	-	-	-	-	-
majolica airtight, steel	majolica airtight, steel	majolica airtight, steel	majolica airtight, steel	majolica airtight, steel	majolica airtight, steel
Aluker®	Aluker®	Aluker®	Aluker®	Aluker®	Aluker®
Aluker® - Skamolex / cast iron	Aluker® - Skamolex / cast iron	Aluker® - Skamolex / cast iron	Aluker® - Skamolex / cast iron	Aluker® - Skamolex / cast iron	Aluker® - Skamolex / cast iron
steel with self-cleaning ceramic glass resistant up to 750°C / steel and silicone	steel with self-cleaning ceramic glass resistant up to 750°C / steel and silicone	steel with self-cleaning ceramic glass resistant up to 750°C / steel and silicone	steel with self-cleaning ceramic glass resistant up to 750°C / steel and silicone	steel with self-cleaning ceramic glass resistant up to 750°C / steel and silicone	steel with self-cleaning ceramic glass resistant up to 750°C / steel and silicone
-	-	-	-	-	-
yes	yes	yes	yes	yes	yes
-	-	-	-	-	-
top or rear	top or rear (rear flue not compatible with storage kit)	top or rear	top or rear	top or rear	top or rear (rear flue not compatible with storage kit)
-	-	-	-	-	-
stainless steel	-	-	stainless steel	stainless steel	-
-	-	-	-	-	-
-	-	-	-	-	-
electronically controlled	adjustable	electronically controlled	adjustable	electronically controlled	adjustable
pre-heated	pre-heated	pre-heated	pre-heated	pre-heated	pre-heated
continuous air flow	continuous air flow	continuous air flow	continuous air flow	continuous air flow	continuous air flow
yes	-	yes	-	yes	-
-	-	-	-	-	-
-	optional	optional	-	-	optional
-	-	-	-	-	-
optional	optional	optional	optional	optional	optional
-	-	-	-	-	-
wall - corner	wall - corner	wall - corner	wall - corner	wall - corner	wall - corner

Data obtained using beech wood with moisture content below 16%. Consumption varies according to the type of wood used.

# WOOD-BURNING STOVES

## Data charts



Technical data	Units	E929 M-H Hermetic BCS	E929 T Hermetic	E929 T Hermetic BCS
Opzional Forced air		yes	yes	yes
Ductable		-	yes	-
Natural convection		yes	yes	yes
Hermetic		yes	yes	yes
Oven		-	-	-
Model		E929 M-H BCS	E929 T	E929 T BCS
Type		SL311-03	SL310-04	SL311-03
Energy efficiency class		A+	A+	A+
Room heating capacity *	m <sup>3</sup>	130 - 220	135 - 230	130 - 220
Nominal heat output max	kW	7,7	7,9	7,7
Nominal thermal efficiency	%	85,6	85,7	85,6
Nominal consumption	kg/h	2,1	2,2	2,1
Standard flue outlet Ø	cm	15	15	15
Dimensions W x D x H	cm	55 x 55 x 170	58 x 58 x 153	58 x 58 x 153
Dimensions W x D x H without feet	cm	-	-	-
Dimensions W x D x H with optional bench	cm	-	-	-
Size of wood pieces	cm	30 - 33	30 - 33	30 - 33
Firebox opening W x H	cm	29 x 40	29 x 40	29 x 40
Weight	kg	191	183	183
Weight incl. HSS	kg	357	250	250
Weight incl. Heat Extender System	kg	-	-	-
Oven W x D x H	cm	-	-	-
Heating		Multifuoco System Plus with 4 speed levels, optional. Ductable hot air / HSS heat storage system / Natural convection	Multifuoco System® with 4 speed levels, optional. Ductable hot air / HSS heat storage system / Natural convection	Multifuoco System Plus with 4 speed levels, optional. Ductable hot air / HSS heat storage system / Natural convection
Front ventilation		directional air vent	directional air vent	directional air vent
Bench in majolica		-	-	-
Cladding		majolica	majolica	majolica
Stove		airtight, steel	airtight, steel	airtight, steel
Firebox		Aluker®	Aluker®	Aluker®
Smoke baffle plate / Brazier		Aluker® - Skamolex / cast iron steel with self-cleaning ceramic glass resistant up to 750°C / steel and silicone	Aluker® - Skamolex / cast iron steel with self-cleaning ceramic glass resistant up to 750°C / steel and silicone	Aluker® - Skamolex / cast iron steel with self-cleaning ceramic glass resistant up to 750°C / steel and silicone
Door / Handle		-	-	-
Ceramic glass		-	-	-
Removable ash drawer		yes	yes	yes
Oven		-	-	-
Standard flue outlet position		top or rear	top or rear ( rear flue not compatible with storage kit)	top or rear
Adjustable hood		-	-	-
Humidifier		-	-	-
Stove base		-	-	-
Steel feet as standard supply		-	-	-
Steel /ceramic feet as standard		-	-	-
Primary and secondary air		-	-	-
Pre-heated primary and secondary air		electronically controlled	adjustable	electronically controlled
Pre-set tertiary air		pre-heated	pre-heated	pre-heated
Glass cleaning system		continuous air flow	continuous air flow	continuous air flow
Burn Control System		yes	-	yes
Heat Extender System		-	-	-
HSS Heat Storage System		optional	optional	optional
Combustion air kit		-	-	-
Ash vacuum cleaner		optional	optional	optional
Installation		wall - corner	wall - corner	wall - corner

\* Calculated on the basis of nominal heat output, referring to rooms with a heating requirement between 0.060 and 0.035 kW per m<sup>3</sup>. We recommend always contacting a heating engineer for the final calculations.

Data obtained using beech wood with moisture content below 16%. Consumption varies according to the type of wood used.

# WOOD-BURNING STOVES

## BONNY



### GENERAL CHARACTERISTICS

- Heating: Multifuoco System® with 4 speed levels, optional. Ductable hot air / Natural convection
- Front ventilation: directional air vent
- Cladding / Top surface: majolica / majolica
- Stove: steel
- Firebox: Aluker®
- Smoke baffle plate / Brazier: Aluker® / cast iron
- Door / Handle: cast iron with self-cleaning ceramic glass resistant up to 750°C / painted steel, detachable
- Removable ash drawer: yes
- Standard flue outlet position: top
- Humidifier: stainless steel
- Glass cleaning: continuous air flow
- Primary and secondary air: adjustable
- Pre-set tertiary air: pre-heated
- Ash vacuum cleaner: optional
- Installation: wall - corner

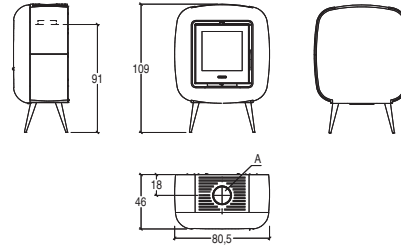
### TECHNICAL DATA

• Model		BONNY
• Type		SL322-02
• Room heating capacity (min - max)	m <sup>3</sup>	150 - 260
• Nominal heat output max	kW	9,0
• Nominal thermal efficiency	%	80,5
• Nominal consumption	kg/h	2,7
• Size of wood pieces	cm	40 - 43
• Firebox opening W x H	cm	36 x 32,5
• Weight	kg	164

Laboratory data obtained in the configuration with upper flue outlet and Piazzetta smoke duct, L 50 cm, for connection to the flue. The smoke duct is already included in the firebox package and is an integral part of the model.



		CODE	EURO
<b>TOTAL STOVE</b>			<b>4.610,00</b>
Cladding	ANICE	P061407A0C	1.060,00
	BIANCO	P06140300C	1.060,00
	CIPRIA	P061408A0C	1.060,00
	CREMA	P061409A0C	1.060,00
	MOKA	P06140890C	1.060,00
	TÈ VERDE	P061400B0C	1.060,00
Stove	IL 52/57 M	P02552100C	2.250,00
Essential kit	Profile kits in painted steel	P08019240C	1.300,00
<b>Accessories on request</b>			
	Multifuoco System® single	P08020720C	735,00
	Multifuoco System Plus single	P08020730C	910,00



All dimensions in cm.

# WOOD-BURNING STOVES

## THELMA



### GENERAL CHARACTERISTICS

- Heating: Multifuoco System® with 4 speed levels, optional. Ductable hot air / Natural convection
- Front ventilation: directional air vent
- Cladding / Top surface: majolica / majolica
- Stove: steel
- Firebox: Aluker®
- Smoke baffle plate / Brazier: Aluker® / cast iron
- Door / Handle: cast iron with self-cleaning ceramic glass resistant up to 750°C / painted steel, detachable
- Removable ash drawer: yes
- Standard flue outlet position: top
- Humidifier: stainless steel
- Glass cleaning: continuous air flow
- Primary and secondary air: adjustable
- Pre-set tertiary air: pre-heated
- Ash vacuum cleaner: optional
- Installation: wall - corner

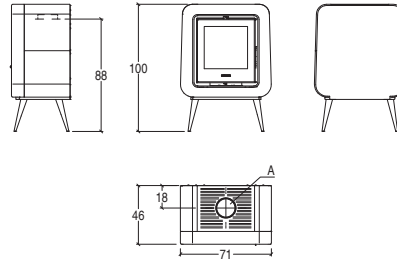
### TECHNICAL DATA

• Model		THELMA
• Type		SL322-02
• Room heating capacity (min - max)	m <sup>3</sup>	150 - 260
• Nominal heat output max	kW	9,0
• Nominal thermal efficiency	%	80,5
• Nominal consumption	kg/h	2,7
• Size of wood pieces	cm	40 - 43
• Firebox opening W x H	cm	36 x 32,5
• Weight	kg	165

Laboratory data obtained in the configuration with upper flue outlet and Piazzetta smoke duct, L 50 cm, for connection to the flue. The smoke duct is already included in the firebox package and is an integral part of the model.



		CODE	EURO
<b>TOTAL STOVE</b>			<b>4.610,00</b>
Cladding	ANICE	P061417A0C	1.060,00
	BIANCO	P06141300C	1.060,00
	CIPRIA	P061418A0C	1.060,00
	CREMA	P061419A0C	1.060,00
	MOKA	P06141890C	1.060,00
	TÈ VERDE	P061410B0C	1.060,00
Stove	IL 52/57 M	P02552100C	2.250,00
Essential kit	Profile kits in painted steel	P08019260C	1.300,00
<b>Accessories on request</b>			
	Multifuoco System® single	P08020720C	735,00
	Multifuoco System Plus single	P08020730C	910,00



A	B
15 cm	7,5 cm

All dimensions in cm.

# WOOD-BURNING STOVES

## CIRCLE Hermetic



### GENERAL CHARACTERISTICS

- Heating: optional HSS heat storage system / Natural convection
- Cladding / Top surface: majolica / majolica
- Stove: airtight steel
- Firebox: Aluker®
- Smoke baffle plate / Brazier: Aluker® - Skamolex / cast iron
- Door / Handle: steel with self-cleaning ceramic glass resistant up to 750°C / steel and silicone
- Removable ash drawer: yes
- Standard flue outlet position: top
- Humidifier: optional (only on top flue version)
- Glass cleaning: continuous air flow
- Stove base: rotating or fixed
- Steel feet as standard: removable
- Pre-heated primary and secondary air: adjustable
- Pre-set tertiary air: pre-heated
- HSS Storage: optional (only available on top flue version)
- Outside air kit: standard
- Ash vacuum cleaner: optional
- Installation: room centre - wall - corner

### TECHNICAL DATA

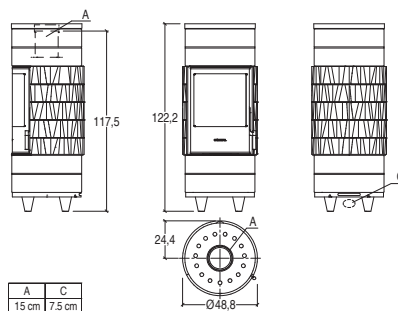
		CIRCLE
• Model		SL300-03
• Type		120 - 210
• Room heating capacity (min - max)	m <sup>3</sup>	120 - 210
• Nominal heat output max	kW	7,2
• Nominal thermal efficiency	%	85,1
• Nominal consumption	kg/h	1,9
• Size of wood pieces	cm	27 - 30
• Firebox opening W x H	cm	22,5 x 34,5
• Weight	kg	140
• Weight incl. HSS	kg	170

Laboratory data obtained in the configuration with upper flue outlet and Piazzetta smoke duct, L 100 cm, for connection to the flue. The smoke duct is already included in the firebox package and is an integral part of the model.



		CODE	EURO
VERSION	- ONLY TOP FLUE OUTLET - FIXED BASE - COMBUSTION AIR KIT, STANDARD		
TOTAL PRICE			<b>4.355,00</b>
Cladding	ARDESIA	P06126240C	1.810,00
	BIANCO	P06126300C	1.810,00
	GRIGIO CERATO	P06126310C	1.810,00
	ROSSO LAVA	P06126450C	1.810,00
	BIANCO / ARDESIA	P06126241C	1.810,00
	BIANCO GRIGIO / TERRA COTTA	P06126091C	1.810,00
Stove	E924 Hermetic without rotation system	PI9240020-0	2.545,00
<b>Accessories on request</b>			
	Heat Storage System (HSS) kit	P08060130C	430,00
	Wall combustion air pipe cover kit for non-rotating stove base (indispensable for outdoor combustion air intake)	P08060820C	90,00
	Flexible pipe Ø 7,5 cm for combustion air / hot air ducting	N08011005	19,00 per linear metre

		CODE	EURO
VERSION	- ONLY TOP FLUE OUTLET - ROTATION SYSTEM - OUTSIDE AIR KIT OPTIONAL		
TOTAL PRICE			<b>4.785,00</b>
Cladding	ARDESIA	P06126240C	1.810,00
	BIANCO	P06126300C	1.810,00
	GRIGIO CERATO	P06126310C	1.810,00
	ROSSO LAVA	P06126450C	1.810,00
	BIANCO / ARDESIA	P06126241C	1.810,00
	BIANCO GRIGIO / TERRA COTTA	P06126091C	1.810,00
Stove	E924 Hermetic with rotation system	PI9240020-1	2.975,00
<b>Accessories on request</b>			
	Heat Storage System (HSS) kit	P08060130C	430,00
	Combustion air kit for rotating stove base	P08060220C	85,00
	Flexible pipe Ø 7,5 cm for combustion air / hot air ducting	N08011005	19,00 per linear metre



All dimensions in cm.



# WOOD-BURNING STOVES

## CIRCLE Hermetic



### GENERAL CHARACTERISTICS

- Heating: optional HSS heat storage system / Natural convection
- Cladding / Top surface: majolica / majolica
- Stove: airtight steel
- Firebox: Aluker®
- Smoke baffle plate / Brazier: Aluker® - Skamolex / cast iron
- Door / Handle: steel with self-cleaning ceramic glass resistant up to 750°C / steel and silicone
- Removable ash drawer: yes
- Standard flue outlet position: top or rear
- Humidifier: optional (only on top flue version)
- Glass cleaning: continuous air flow
- Stove base: rotating or fixed
- Steel feet as standard: removable
- Pre-heated primary and secondary air: adjustable
- Pre-set tertiary air: pre-heated
- HSS Storage: optional (only available on top flue version)
- Outside air kit: standard
- Ash vacuum cleaner: optional
- Installation: room centre - wall - corner

### TECHNICAL DATA

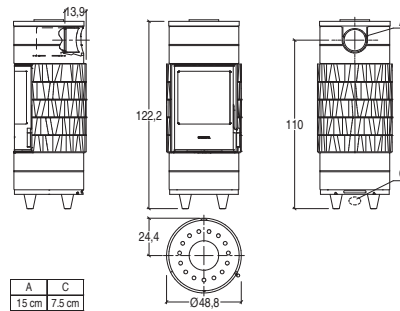
• Model		CIRCLE
• Type		SL300-03
• Room heating capacity (min - max)	m <sup>3</sup>	120 - 210
• Nominal heat output max	kW	7,2
• Nominal thermal efficiency	%	85,1
• Nominal consumption	kg/h	1,9
• Size of wood pieces	cm	27 - 30
• Firebox opening W x H	cm	22,5 x 34,5
• Weight	kg	140
• Weight incl. HSS	kg	170

Laboratory data obtained in the configuration with upper flue outlet and Piazzetta smoke duct, L 100 cm, for connection to the flue. The smoke duct is already included in the firebox package and is an integral part of the model.



CODE EURO

VERSION	- TOP OR REAR FLUE OUTLET - FIXED BASE - COMBUSTION AIR KIT, STANDARD	
TOTAL PRICE		<b>4.445,00</b>
Cladding	ARDESIA	P06111240C 1.900,00
	BIANCO	P06111300C 1.900,00
	GRIGIO CERATO	P06111310C 1.900,00
	ROSSO LAVA	P06111450C 1.900,00
	BIANCO / ARDESIA	P06111241C 1.900,00
	BIANCO GRIGIO / TERRA COTTA	P06111091C 1.900,00
Stove	E924 Hermetic without rotation system	PI9240020-0 2.545,00
<b>Accessories on request</b>		
	Rear flue kit (not compatible with storage kit)	P08060180C 110,00
	Wall combustion air pipe cover kit for non-rotating stove base (indispensable for outdoor combustion air intake)	P08060820C 90,00
	Flexible pipe Ø 7,5 cm for combustion air / hot air ducting	N08011005 19,00 per linear metre



All dimensions in cm.

# WOOD-BURNING STOVES

## CIRCLE Hermetic BCS



### GENERAL CHARACTERISTICS

- Heating: optional HSS heat storage system / Natural convection
- Cladding / Top surface: majolica / majolica
- Stove: airtight steel
- Firebox: Aluker®
- Smoke baffle plate / Brazier: Aluker® - Skamolex / cast iron
- Door / Handle: steel with self-cleaning ceramic glass resistant up to 750°C / steel and silicone
- Removable ash drawer: yes
- Standard flue outlet position: top
- Humidifier: optional (only on top flue version)
- Glass cleaning: continuous air flow
- Stove base: rotating or fixed
- Steel feet as standard: removable
- Pre-heated primary and secondary air: electronically controlled
- Pre-set tertiary air: pre-heated
- Burn Control System: yes
- HSS Storage: optional (only available on top flue version)
- Outside air kit: standard
- Ash vacuum cleaner: optional
- Installation: room centre - wall - corner

### TECHNICAL DATA

		CIRCLE BCS
• Model		SL301-03
• Type		120 - 210
• Room heating capacity (min - max)	m <sup>3</sup>	120 - 210
• Nominal heat output max	kW	7,2
• Nominal thermal efficiency	%	85,3
• Nominal consumption	kg/h	1,9
• Size of wood pieces	cm	27 - 30
• Firebox opening W x H	cm	22,5 x 34,5
• Weight	kg	140
• Weight incl. HSS	kg	170

Laboratory data obtained in the configuration with upper flue outlet and Piazzetta smoke duct, L 100 cm, for connection to the flue. The smoke duct is already included in the firebox package and is an integral part of the model.

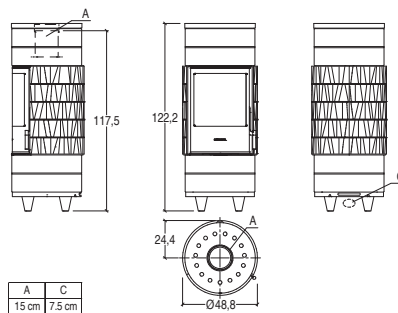


		CODE	EURO
VERSION	- ONLY TOP FLUE OUTLET - FIXED BASE - COMBUSTION AIR KIT, STANDARD		
TOTAL PRICE			<b>5.410,00</b>
Cladding	ARDESIA	P06126240C	1.810,00
	BIANCO	P06126300C	1.810,00
	GRIGIO CERATO	P06126310C	1.810,00
	ROSSO LAVA	P06126450C	1.810,00
	BIANCO / ARDESIA	P06126241C	1.810,00
	BIANCO GRIGIO / TERRA COTTA	P06126091C	1.810,00
Stove	E924 Hermetic BCS without rotation system	PI9241020-0	3.600,00

Accessories on request			
Heat Storage System (HSS) kit	P08060130C		430,00
Wall combustion air pipe cover kit for non-rotating stove base (indispensable for outdoor combustion air intake)	P08060820C		90,00
Flexible pipe Ø 7,5 cm for combustion air / hot air ducting	N08011005		19,00 per linear metre

		CODE	EURO
VERSION	- ONLY TOP FLUE OUTLET - ROTATION SYSTEM - OUTSIDE AIR KIT OPTIONAL		
TOTAL PRICE			<b>5.840,00</b>
Cladding	ARDESIA	P06126240C	1.810,00
	BIANCO	P06126300C	1.810,00
	GRIGIO CERATO	P06126310C	1.810,00
	ROSSO LAVA	P06126450C	1.810,00
	BIANCO / ARDESIA	P06126241C	1.810,00
	BIANCO GRIGIO / TERRA COTTA	P06126091C	1.810,00
Stove	E924 Hermetic with rotation system	PI9241020-1	4.030,00

Accessories on request			
Heat Storage System (HSS) kit	P08060130C		430,00
Combustion air kit for rotating stove base	P08060220C		85,00
Flexible pipe Ø 7,5 cm for combustion air / hot air ducting	N08011005		19,00 per linear metre



All dimensions in cm.

# WOOD-BURNING STOVES

## CIRCLE Hermetic BCS



### GENERAL CHARACTERISTICS

- Heating: optional HSS heat storage system / Natural convection
- Cladding / Top surface: majolica / majolica
- Stove: airtight steel
- Firebox: Aluker®
- Smoke baffle plate / Brazier: Aluker® - Skamolex / cast iron
- Door / Handle: steel with self-cleaning ceramic glass resistant up to 750°C / steel and silicone
- Removable ash drawer: yes
- Standard flue outlet position: top or rear
- Humidifier: optional (only on top flue version)
- Glass cleaning: continuous air flow
- Stove base: rotating or fixed
- Steel feet as standard: removable
- Pre-heated primary and secondary air: electronically controlled
- Pre-set tertiary air: pre-heated
- Burn Control System: yes
- HSS Storage: optional (only available on top flue version)
- Outside air kit: standard
- Ash vacuum cleaner: optional
- Installation: room centre - wall - corner

### TECHNICAL DATA

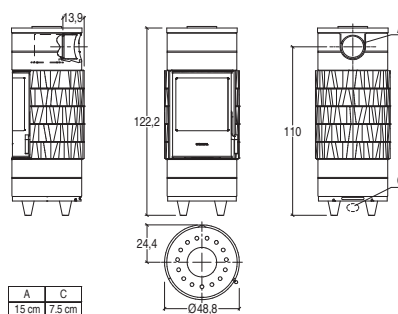
		CIRCLE BCS
• Model		SL301-03
• Type		120 - 210
• Room heating capacity (min - max)	m <sup>3</sup>	120 - 210
• Nominal heat output max	kW	7,2
• Nominal thermal efficiency	%	85,3
• Nominal consumption	kg/h	1,9
• Size of wood pieces	cm	27 - 30
• Firebox opening W x H	cm	22,5 x 34,5
• Weight	kg	140
• Weight incl. HSS	kg	170

Laboratory data obtained in the configuration with upper flue outlet and Piazzetta smoke duct, L 100 cm, for connection to the flue. The smoke duct is already included in the firebox package and is an integral part of the model.



CODE EURO

VERSION	- TOP OR REAR FLUE OUTLET - FIXED BASE - COMBUSTION AIR KIT, STANDARD	
TOTAL PRICE		<b>5.500,00</b>
Cladding	ARDESIA	P06111240C 1.900,00
	BIANCO	P06111300C 1.900,00
	GRIGIO CERATO	P06111310C 1.900,00
	ROSSO LAVA	P06111450C 1.900,00
	BIANCO / ARDESIA	P06111241C 1.900,00
	BIANCO GRIGIO / TERRA COTTA	P06111091C 1.900,00
Stove	E924 Hermetic BCS without rotation system	PI9241020-0 3.600,00
<b>Accessories on request</b>		
	Rear flue kit (not compatible with storage kit)	P08060180C 110,00
	Wall combustion air pipe cover kit for non-rotating stove base (indispensable for outdoor combustion air intake)	P08060820C 90,00
	Flexible pipe Ø 7,5 cm for combustion air / hot air ducting	N08011005 19,00 per linear metre



All dimensions in cm.

# WOOD-BURNING STOVES

## QUBE 1



### GENERAL CHARACTERISTICS

- Heating: Multifuoco System® with 4 speed levels, optional. Ductable hot air / Natural convection
- Front ventilation: directional air vent
- Cladding / Top surface: majolica / majolica
- Bench in majolica: optional
- Stove: steel
- Firebox: Aluker®
- Smoke baffle plate / Brazier: Aluker® / cast iron
- Door / Handle: cast iron with self-cleaning ceramic glass resistant up to 750°C / painted steel, detachable
- Removable ash drawer: yes
- Standard flue position: top or rear (anti-condensation installation standard)
- Glass cleaning: continuous air flow
- Primary and secondary air: adjustable
- Pre-set tertiary air: pre-heated
- Ash vacuum cleaner: optional
- Installation: wall - corner
- Wide screen fire: yes

### TECHNICAL DATA

• Model		QUBE 1
• Type		SL321-02
• Room heating capacity (min - max)	m <sup>3</sup>	150 - 260
• Nominal heat output max	kW	9,0
• Nominal thermal efficiency	%	80,5
• Nominal consumption	kg/h	2,7
• Firebox opening W x H	cm	36 x 32,5
• Weight	kg	150 without bench 180 with bench

Laboratory data obtained in the configuration with upper flue outlet and Piazzetta smoke duct, L 50 cm, for connection to the flue. The smoke duct is already included in the firebox package and is an integral part of the model.



CODE EURO

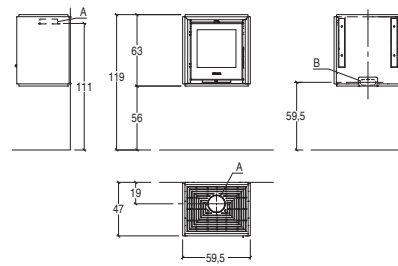
TOTAL STOVE		<b>3.220,00</b>	
Cladding	ARDESIA	P06061240C	970,00
	BIANCO ANTICO	P06061640C	970,00
	SAHARA	P06061220C	970,00

TOTAL STOVE		<b>3.330,00</b>	
Cladding	GIALLO ACCESO	P06061260C	1.080,00
	ROSSO LAVA	P06061450C	1.080,00

Stove	IL 52/57 M	P02552200C	2.250,00
-------	------------	------------	----------

#### Accessories on request

Majolica bench colour ARDESIA	P08005000	930,00
Multifuoco System® single (foresee a technical housing)	P08020340C	650,00
Multifuoco System Plus single (foresee a technical housing)	P08020420C	835,00



A	B
15 cm	7.5 cm

All dimensions in cm.

# WOOD-BURNING STOVES

## QUBE 2



### GENERAL CHARACTERISTICS

- Heating: Multifuoco System® with 4 speed levels, optional. Ductable hot air / Natural convection
- Front ventilation: directional air vent
- Cladding / Top surface: majolica / majolica
- Stove: steel
- Firebox: Aluker®
- Smoke baffle plate / Brazier: Aluker® / cast iron
- Door / Handle: cast iron with self-cleaning ceramic glass resistant up to 750°C / painted steel, detachable
- Removable ash drawer: yes
- Standard flue position: top or rear (anti-condensation installation standard)
- Glass cleaning: continuous air flow
- Primary and secondary air: adjustable
- Pre-set tertiary air: pre-heated
- Ash vacuum cleaner: optional
- Installation: wall - corner
- Wide screen fire: yes

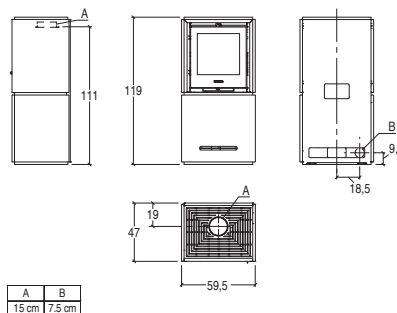
### TECHNICAL DATA

		QUBE 2
• Model		SL321-02
• Type		150 - 260
• Room heating capacity (min - max)	m <sup>3</sup>	9,0
• Nominal heat output max	kW	80,5
• Nominal thermal efficiency	%	2,7
• Nominal consumption	kg/h	36 x 32,5
• Firebox opening W x H	cm	205
• Weight	kg	

Laboratory data obtained in the configuration with upper flue outlet and Piazzetta smoke duct, L 50 cm, for connection to the flue. The smoke duct is already included in the firebox package and is an integral part of the model.



		CODE	EURO
TOTAL STOVE			<b>3.680,00</b>
Cladding	ARDESIA	P06063240C	1.430,00
	BIANCO ANTICO	P06063640C	1.430,00
	SAHARA	P06063220C	1.430,00
TOTAL STOVE			<b>3.795,00</b>
Cladding	GIALLO ACCESO	P06063260C	1.545,00
	ROSSO LAVA	P06063450C	1.545,00
Stove	IL 52/57 M	P02552200C	2.250,00
<b>Accessories on request</b>			
	Multifuoco System® single	P08020340C	650,00
	Multifuoco System Plus single	P08020420C	835,00



All dimensions in cm.

# WOOD-BURNING STOVES

## QUBE 3



### GENERAL CHARACTERISTICS

- Heating: Multifuoco System® with 4 speed levels, optional. Ductable hot air / Natural convection
- Front ventilation: directional air vent
- Cladding / Top surface: majolica / majolica
- Stove: steel
- Firebox: Aluker®
- Smoke baffle plate / Brazier: Aluker® / cast iron
- Door / Handle: cast iron with self-cleaning ceramic glass resistant up to 750°C / painted steel, detachable
- Removable ash drawer: yes
- Standard flue position: top or rear (anti-condensation installation standard)
- Glass cleaning: continuous air flow
- Primary and secondary air: adjustable
- Pre-set tertiary air: pre-heated
- Ash vacuum cleaner: optional
- Installation: wall - corner
- Wide screen fire: yes

### TECHNICAL DATA

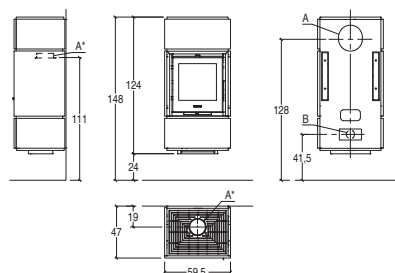
		QUBE 3
• Model		SL321-02
• Type		150 - 260
• Room heating capacity (min - max)	m <sup>3</sup>	150 - 260
• Nominal heat output max	kW	9,0
• Nominal thermal efficiency	%	80,5
• Nominal consumption	kg/h	2,7
• Firebox opening W x H	cm	36 x 32,5
• Weight	kg	211

Laboratory data obtained in the configuration with upper flue outlet and Piazzetta smoke duct, L 50 cm, for connection to the flue. The smoke duct is already included in the firebox package and is an integral part of the model.



CODE EURO

TOTAL STOVE			<b>4.155,00</b>
Cladding	ARDESIA	P06064240C	1.600,00
	BIANCO ANTICO	P06064640C	1.600,00
	SAHARA	P06064220C	1.600,00
TOTAL STOVE			<b>4.260,00</b>
Cladding	GIALLO ACCESO	P06064260C	1.705,00
	ROSSO LAVA	P06064450C	1.705,00
Stove	IL 52/57 M	P02552200C	2.250,00
Essential kit	Profile kits in painted steel	P08017750C	305,00
<b>Accessories on request</b>			
	Multifuoco System® single	P08020340C	650,00
	Multifuoco System Plus single	P08020420C	835,00
	Rear flue outlet coupling	P08017600	109,00



A	B
15 cm	7.5 cm

All dimensions in cm.

# WOOD-BURNING STOVES

## QUBE 4



### GENERAL CHARACTERISTICS

- Heating: Multifuoco System® with 4 speed levels, optional. Ductable hot air / Natural convection
- Front ventilation: directional air vent
- Cladding / Top surface: majolica / majolica
- Stove: steel
- Firebox: Aluker®
- Smoke baffle plate / Brazier: Aluker® / cast iron
- Door / Handle: cast iron with self-cleaning ceramic glass resistant up to 750°C / painted steel, detachable
- Removable ash drawer: yes
- Standard flue position: top or rear (anti-condensation installation standard)
- Glass cleaning: continuous air flow
- Primary and secondary air: adjustable
- Pre-set tertiary air: pre-heated
- Ash vacuum cleaner: optional
- Installation: wall - corner
- Wide screen fire: yes

### TECHNICAL DATA

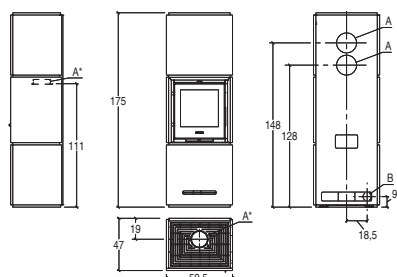
• Model		QUBE 4
• Type		SL321-02
• Room heating capacity (min - max)	m <sup>3</sup>	150 - 260
• Nominal heat output max	kW	9,0
• Nominal thermal efficiency	%	80,5
• Nominal consumption	kg/h	2,7
• Firebox opening W x H	cm	36 x 32,5
• Weight	kg	250

Laboratory data obtained in the configuration with upper flue outlet and Piazzetta smoke duct, L 50 cm, for connection to the flue. The smoke duct is already included in the firebox package and is an integral part of the model.



CODE EURO

TOTAL STOVE			<b>4.410,00</b>
Cladding	ARDESIA	P06065240C	1.810,00
	BIANCO ANTICO	P06065640C	1.810,00
	SAHARA	P06065220C	1.810,00
TOTAL STOVE			<b>4.525,00</b>
Cladding	GIALLO ACCESO	P06065260C	1.925,00
	ROSSO LAVA	P06065450C	1.925,00
Stove	IL 52/57 M	P02552200C	2.250,00
Essential kit	Profile kits in painted steel	P08017760C	350,00
<b>Accessories on request</b>			
	Multifuoco System® single	P08020340C	650,00
	Multifuoco System Plus single	P08020420C	835,00
	Rear flue outlet coupling	P08017600	109,00



A	B
15 cm	7,5 cm

All dimensions in cm.



# WOOD-BURNING STOVES

## ROUND Hermetic



### GENERAL CHARACTERISTICS

- Heating: Multifuoco System® with 4 speed levels, optional. Ductable hot air / HSS heat storage system / Natural convection
- Front ventilation: directional air vent
- Cladding / Top surface: majolica / majolica
- Stove: airtight steel
- Firebox: Aluker®
- Smoke baffle plate / Brazier: Aluker® - Skamolex / cast iron
- Door / Handle: steel with self-cleaning ceramic glass resistant up to 750°C / steel and silicone
- Removable ash drawer: yes
- Standard flue outlet position: top or rear
- Humidifier: stainless steel
- Glass cleaning: continuous air flow
- Steel feet as standard: removable
- Pre-heated primary and secondary air: adjustable
- Pre-set tertiary air: pre-heated
- Ash vacuum cleaner: optional
- Installation: wall - corner

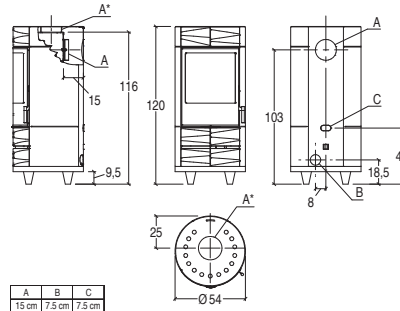
### TECHNICAL DATA

• Model		ROUND
• Type		SL310-04
• Room heating capacity (min - max)	m <sup>3</sup>	135 - 230
• Nominal heat output max	kW	7,9
• Nominal thermal efficiency	%	85,7
• Nominal consumption	kg/h	2,2
• Size of wood pieces	cm	30 - 33
• Firebox opening W x H	cm	29 x 40
• Weight	kg	162

Laboratory data obtained in the configuration with upper flue outlet and Piazzetta smoke duct, L 100 cm, for connection to the flue. The smoke duct is already included in the firebox package and is an integral part of the model.



		CODE	EURO
<b>TOTAL PRICE</b>			<b>4.440,00</b>
Cladding	ARDESIA	P06123240C	1.355,00
	BIANCO	P06123300C	1.355,00
	GRIGIO CERATO	P06123310C	1.355,00
	ROSSO LAVA	P06123450C	1.355,00
	BIANCO / ARDESIA	P06123241C	1.355,00
	BIANCO GRIGIO / TERRA COTTA	P06123091C	1.355,00
Stove	E929 Ermetica	PI9290010-0	3.085,00
<b>Accessories on request</b>			
	Multifuoco System® single	P08027400C	725,00
	Multifuoco System Plus single	P08027420C	895,00
	Log rack	P08061260C	65,00
	Flexible pipe Ø 7,5 cm for combustion air / hot air ducting	N08011005	19,00 per linear metre



All dimensions in cm.

A	B	C
15 cm	7,5 cm	7,5 cm

# WOOD-BURNING STOVES

## ROUND Hermetic BCS



### GENERAL CHARACTERISTICS

- Heating: Multifuoco System Plus with 4 speed levels, optional. Ductable hot air / Natural convection
- Front ventilation: directional air vent
- Cladding / Top surface: majolica / majolica
- Stove: airtight steel
- Firebox: Aluker®
- Smoke baffle plate / Brazier: Aluker® - Skamolex / cast iron
- Door / Handle: steel with self-cleaning ceramic glass resistant up to 750°C / steel and silicone
- Removable ash drawer: yes
- Standard flue outlet position: top or rear
- Humidifier: stainless steel
- Glass cleaning: continuous air flow
- Steel feet as standard: removable
- Pre-heated primary and secondary air: electronically controlled
- Pre-set tertiary air: pre-heated
- Burn Control System: yes
- Ash vacuum cleaner: optional
- Installation: wall - corner

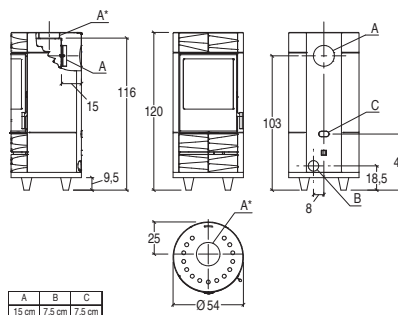
### TECHNICAL DATA

		ROUND BCS
• Model		SL311-03
• Type		130 - 220
• Room heating capacity (min - max)	m <sup>3</sup>	7,7
• Nominal heat output max	kW	85,6
• Nominal thermal efficiency	%	2,1
• Nominal consumption	kg/h	30 - 33
• Size of wood pieces	cm	29 x 40
• Firebox opening W x H	cm	162
• Weight	kg	

Laboratory data obtained in the configuration with upper flue outlet and Piazzetta smoke duct, L 50 cm, for connection to the flue. The smoke duct is already included in the firebox package and is an integral part of the model.



		CODE	EURO
<b>TOTAL PRICE</b>			<b>5.700,00</b>
Cladding	ARDESIA	P06123240C	1.355,00
	BIANCO	P06123300C	1.355,00
	GRIGIO CERATO	P06123310C	1.355,00
	ROSSO LAVA	P06123450C	1.355,00
	BIANCO / ARDESIA	P06123241C	1.355,00
	BIANCO GRIGIO / TERRA COTTA	P06123091C	1.355,00
Stove	E929 Hermetic BCS	P07929600C	3.880,00
Essential kit	Profile kits in painted steel	P08019280C	465,00
<b>Accessories on request</b>			
	Multifuoco System Plus single	P08027410C	455,00
	Log rack	P08061260C	65,00
	Flexible pipe Ø 7,5 cm for combustion air / hot air ducting	N08011005	19,00 per linear metre



All dimensions in cm.

# WOOD-BURNING STOVES

## ROUND-H Hermetic



### GENERAL CHARACTERISTICS

- Heating: Multifuoco System® with 4 speed levels, optional. Ductable hot air / HSS heat storage system / Natural convection
- Front ventilation: directional air vent
- Cladding / Top surface: steel / majolica
- Stove: airtight steel
- Firebox: Aluker®
- Smoke baffle plate / Brazier: Aluker® - Skamolex / cast iron
- Door / Handle: steel with self-cleaning ceramic glass resistant up to 750°C / steel and silicone
- Removable ash drawer: yes
- Standard flue position: top or rear (rear flue not compatible with storage kit)
- Glass cleaning: continuous air flow
- Steel feet as standard: removable
- Pre-heated primary and secondary air: adjustable
- Pre-set tertiary air: pre-heated
- HSS Storage: optional (only available on top flue version)
- Ash vacuum cleaner: optional
- Installation: wall - corner

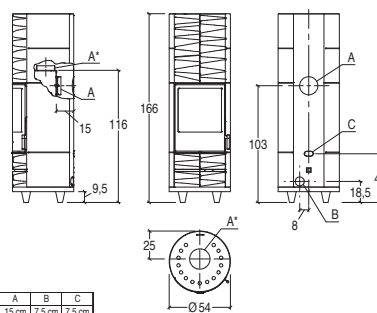
### TECHNICAL DATA

• Model		ROUND-H
• Type		SL310-04
• Room heating capacity (min - max)	m <sup>3</sup>	135 - 230
• Nominal heat output max	kW	7,9
• Nominal thermal efficiency	%	85,7
• Nominal consumption	kg/h	2,2
• Size of wood pieces	cm	30 - 33
• Firebox opening W x H	cm	29 x 40
• Weight	kg	185
• Weight incl. HSS	kg	318

Laboratory data obtained in the configuration with upper flue outlet and Piazzetta smoke duct, L 100 cm, for connection to the flue. The smoke duct is already included in the firebox package and is an integral part of the model.



		CODE	EURO
<b>TOTAL PRICE</b>			<b>4.900,00</b>
Cladding	ARDESIA	P06125240C	1.725,00
	BIANCO	P06125300C	1.725,00
	GRIGIO CERATO	P06125310C	1.725,00
	ROSSO LAVA	P06125450C	1.725,00
	BIANCO / ARDESIA	P06125241C	1.725,00
	BIANCO GRIGIO / TERRA COTTA	P06125091C	1.725,00
Stove	E929 Ermetica	PI9290020-0	3.175,00
<b>Accessories on request</b>			
	Multifuoco System® single	P08027400C	725,00
	Multifuoco System Plus single	P08027420C	895,00
	Heat Storage System (HSS) kit	P08019060C	1.030,00
	Convective hot air adjustment kit	P08060300C	330,00
	Log rack	P08061260C	65,00
	Flexible pipe Ø 7,5 cm for combustion air / hot air ducting	N08011005	19,00 per linear metre



All dimensions in cm.

# WOOD-BURNING STOVES

## ROUND-H Hermetic BCS



### GENERAL CHARACTERISTICS

- Heating: Multifuoco System Plus with 4 speed levels, optional. Ductable hot air / HSS heat storage system / Natural convection
- Front ventilation: directional air vent
- Cladding / Top surface: steel / majolica
- Stove: airtight steel
- Firebox: Aluker®
- Smoke baffle plate / Brazier: Aluker® - Skamolex / cast iron
- Door / Handle: steel with self-cleaning ceramic glass resistant up to 750°C / steel and silicone
- Removable ash drawer: yes
- Standard flue outlet position: top or rear
- Glass cleaning: continuous air flow
- Steel feet as standard: removable
- Pre-heated primary and secondary air: electronically controlled
- Pre-set tertiary air: pre-heated
- Burn Control System: yes
- HSS accumulation: optional
- Ash vacuum cleaner: optional
- Installation: wall - corner

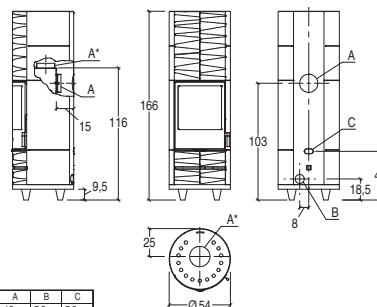
### TECHNICAL DATA

		ROUND-H BCS
• Model		SL311-03
• Type		130 - 220
• Room heating capacity (min - max)	m <sup>3</sup>	130 - 220
• Nominal heat output max	kW	7,7
• Nominal thermal efficiency	%	85,6
• Nominal consumption	kg/h	2,1
• Size of wood pieces	cm	30 - 33
• Firebox opening W x H	cm	29 x 40
• Weight	kg	185
• Weight incl. HSS	kg	318

Laboratory data obtained in the configuration with upper flue outlet and Piazzetta smoke duct, L 50 cm, for connection to the flue. The smoke duct is already included in the firebox package and is an integral part of the model.



		CODE	EURO
<b>TOTAL PRICE</b>			<b>6.160,00</b>
Cladding	ARDESIA	P06125240C	1.725,00
	BIANCO	P06125300C	1.725,00
	GRIGIO CERATO	P06125310C	1.725,00
	ROSSO LAVA	P06125450C	1.725,00
	BIANCO / ARDESIA	P06125241C	1.725,00
	BIANCO GRIGIO / TERRA COTTA	P06125091C	1.725,00
Stove	E929 Hermetic BCS	P07929600C	3.880,00
Essential kit	Profile kits in painted steel	P08019300C	555,00
<b>Accessories on request</b>			
	Multifuoco System Plus single	P08027410C	455,00
	Heat Storage System (HSS) kit	P08019060C	1.030,00
	Convective hot air adjustment kit	P08060300C	330,00
	Log rack	P08061260C	65,00
	Flexible pipe Ø 7,5 cm for combustion air / hot air ducting	N08011005	19,00 per linear metre



All dimensions in cm.

# WOOD-BURNING STOVES

## ROUND-M Hermetic



### GENERAL CHARACTERISTICS

- Heating: Multifuoco System® with 4 speed levels, optional. Ductable hot air / HSS heat storage system / Natural convection
- Front ventilation: directional air vent
- Cladding / Top surface: majolica / majolica
- Stove: airtight steel
- Firebox: Aluker®
- Smoke baffle plate / Brazier: Aluker® - Skamolex / cast iron
- Door / Handle: steel with self-cleaning ceramic glass resistant up to 750°C / steel and silicone
- Removable ash drawer: yes
- Standard flue position: top or rear (rear flue not compatible with storage kit)
- Glass cleaning: continuous air flow
- Steel feet as standard: removable
- Pre-heated primary and secondary air: adjustable
- Pre-set tertiary air: pre-heated
- HSS Storage: optional (only available on top flue version)
- Ash vacuum cleaner: optional
- Installation: wall - corner

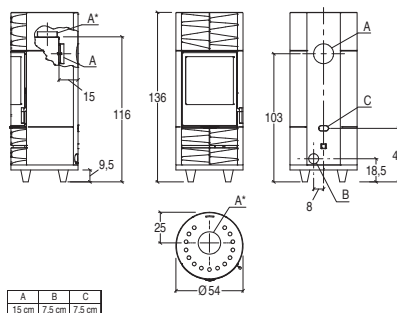
### TECHNICAL DATA

• Model		ROUND-M
• Type		SL310-04
• Room heating capacity (min - max)	m <sup>3</sup>	135 - 230
• Nominal heat output max	kW	7,9
• Nominal thermal efficiency	%	85,7
• Nominal consumption	kg/h	2,2
• Size of wood pieces	cm	30 - 33
• Firebox opening W x H	cm	29 x 40
• Weight	kg	170
• Weight incl. HSS	kg	204

Laboratory data obtained in the configuration with upper flue outlet and Piazzetta smoke duct, L 100 cm, for connection to the flue. The smoke duct is already included in the firebox package and is an integral part of the model.



	CODE	EURO
<b>TOTAL PRICE</b>		<b>4.595,00</b>
Cladding	ARDESIA	P06124240C 1.475,00
	BIANCO	P06124300C 1.475,00
	GRIGIO CERATO	P06124310C 1.475,00
	ROSSO LAVA	P06124450C 1.475,00
	BIANCO / ARDESIA	P06124241C 1.475,00
	BIANCO GRIGIO / TERRA COTTA	P06124091C 1.475,00
Stove	E929 Ermetica	PI9290030-0 3.120,00
<b>Accessories on request</b>		
Multifuoco System® single	P08027400C	725,00
Multifuoco System Plus single	P08027420C	895,00
Heat Storage System (HSS) kit	P08019040C	550,00
Convective hot air adjustment kit	P08060300C	330,00
Log rack	P08061260C	65,00
Flexible pipe Ø 7,5 cm for combustion air / hot air ducting	N08011005	19,00 per linear metre



All dimensions in cm.

A	B	C
15 cm	7.5 cm	7.5 cm

# WOOD-BURNING STOVES

## ROUND-M Hermetic BCS



### GENERAL CHARACTERISTICS

- Heating: Multifuoco System Plus with 4 speed levels, optional. Ductable hot air / HSS heat storage system / Natural convection
- Front ventilation: directional air vent
- Cladding / Top surface: majolica / majolica
- Stove: airtight steel
- Firebox: Aluker®
- Smoke baffle plate / Brazier: Aluker® - Skamolex / cast iron
- Door / Handle: steel with self-cleaning ceramic glass resistant up to 750°C / steel and silicone
- Removable ash drawer: yes
- Standard flue outlet position: top or rear
- Glass cleaning: continuous air flow
- Steel feet as standard: removable
- Pre-heated primary and secondary air: electronically controlled
- Pre-set tertiary air: pre-heated
- Burn Control System: yes
- HSS accumulation: optional
- Ash vacuum cleaner: optional
- Installation: wall - corner

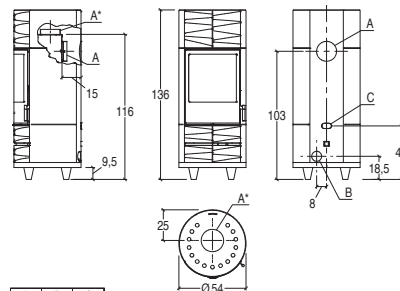
### TECHNICAL DATA

		ROUND-M BCS
• Model		SL311-03
• Type		130 - 220
• Room heating capacity (min - max)	m <sup>3</sup>	7,7
• Nominal heat output max	kW	85,6
• Nominal thermal efficiency	%	2,1
• Nominal consumption	kg/h	30 - 33
• Size of wood pieces	cm	29 x 40
• Firebox opening W x H	cm	170
• Weight	kg	204
• Weight incl. HSS	kg	

Laboratory data obtained in the configuration with upper flue outlet and Piazzetta smoke duct, L 50 cm, for connection to the flue. The smoke duct is already included in the firebox package and is an integral part of the model.



		CODE	EURO
<b>TOTAL PRICE</b>			<b>5.855,00</b>
Cladding	ARDESIA	P06124240C	1.475,00
	BIANCO	P06124300C	1.475,00
	GRIGIO CERATO	P06124310C	1.475,00
	ROSSO LAVA	P06124450C	1.475,00
	BIANCO / ARDESIA	P06124241C	1.475,00
	BIANCO GRIGIO / TERRA COTTA	P06124091C	1.475,00
Stove	E929 Hermetic BCS	P07929600C	3.880,00
Essential kit	Profile kits in painted steel	P08019290C	500,00
<b>Accessories on request</b>			
	Multifuoco System Plus single	P08027410C	455,00
	Heat Storage System (HSS) kit	P08019040C	550,00
	Convective hot air adjustment kit	P08060300C	330,00
	Log rack	P08061260C	65,00
	Flexible pipe Ø 7,5 cm for combustion air / hot air ducting	N08011005	19,00 per linear metre



All dimensions in cm.

# WOOD-BURNING STOVES

## E520



### GENERAL CHARACTERISTICS

- Heating: Multifuoco System® with 4 speed levels, optional. Ductable hot air / Heat Extender System, optional / Natural convection
- Front ventilation: air vent
- Cladding / Top surface: majolica / steel
- Stove: steel
- Fire pit: Skamolex
- Smoke baffle plate / Brazier: Skamolex / cast iron
- Door / Handle: cast iron with self-cleaning ceramic glass resistant up to 750°C / steel
- Removable ash drawer: yes
- Standard flue outlet position: top
- Glass cleaning: continuous air flow
- Primary and secondary air: adjustable
- Heat Extender System: optional
- Ash vacuum cleaner: optional
- Installation: wall - corner

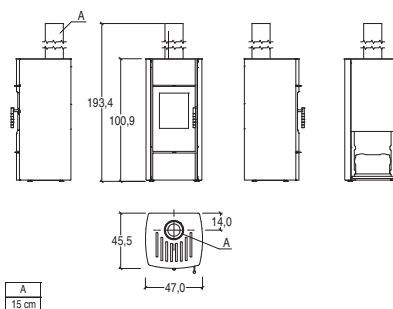
### TECHNICAL DATA

• Model		E520
• Type		SL260-02
• Room heating capacity (min - max)	m <sup>3</sup>	110 - 190
• Nominal heat output	kW	6,5
• Nominal thermal efficiency	%	87,7
• Nominal consumption	kg/h	1,81
• Size of wood pieces	cm	25 - 30
• Firebox opening W x H	cm	27 x 25
• Weight	kg	127
• Weight incl. Heat Extender System	kg	158

Laboratory data obtained in the configuration with upper flue outlet and Piazzetta smoke duct, L 100 cm, for connection to the flue. The smoke duct is already included in the firebox package and is an integral part of the model.



		CODE	EURO
TOTAL PRICE			<b>2.450,00</b>
Cladding	ARDESIA	P06500240C	850,00
	BIANCO CALCE	P06500940C	850,00
	MARRONE TENNÉ	P065003B0C	850,00
Stove	E520	P07520000C	1.600,00
<b>Accessories on request</b>			
	Multifuoco System® single	P08027800C	780,00
	Heat Extender System	P08063500C	625,00



All dimensions in cm.



# WOOD-BURNING STOVES

## E520 STEEL



### GENERAL CHARACTERISTICS

- Heating: Multifuoco System® with 4 speed levels, optional. Ductable hot air / Heat Extender System, optional / Natural convection
- Front ventilation: air vent
- Cladding / Top surface: steel / steel
- Stove: steel
- Fire pit: Skamolex
- Smoke baffle plate / Brazier: Skamolex / cast iron
- Door / Handle: cast iron with self-cleaning ceramic glass resistant up to 750°C / steel
- Removable ash drawer: yes
- Standard flue outlet position: top
- Glass cleaning: continuous air flow
- Primary and secondary air: adjustable
- Heat Extender System: optional
- Ash vacuum cleaner: optional
- Installation: wall - corner

### TECHNICAL DATA

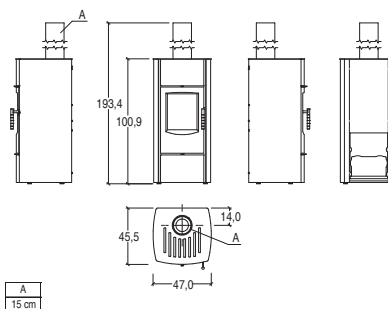
• Model		E520 ST
• Type		SL260-02
• Room heating capacity (min - max)	m <sup>3</sup>	110 - 190
• Nominal heat output	kW	6,5
• Nominal thermal efficiency	%	87,7
• Nominal consumption	kg/h	1,81
• Size of wood pieces	cm	25 - 30
• Firebox opening W x H	cm	27 x 25
• Weight	kg	118
• Weight incl. Heat Extender System	kg	149

Laboratory data obtained in the configuration with upper flue outlet and Piazzetta smoke duct, L 100 cm, for connection to the flue. The smoke duct is already included in the firebox package and is an integral part of the model.



CODE EURO

TOTAL PRICE		<b>1.840,00</b>	
Cladding	BIANCO OPACO	P19520010C	240,00
	CORTEN	P19520030C	240,00
	NERO OPACO	P19520020C	240,00
Stove	E520	P07520000C	1.600,00
<b>Accessories on request</b>			
	Multifuoco System® single	P08027800C	780,00
	Heat Extender System	P08063500C	625,00



All dimensions in cm.

# WOOD-BURNING STOVES

## E520 C



### GENERAL CHARACTERISTICS

- Heating: Multifuoco System® with 4 speed levels, optional. Ductable hot air / Heat Extender System, optional / Natural convection
- Front ventilation: air vent
- Cladding / Top surface: majolica / steel
- Stove: steel
- Fire pit: Skamolex
- Smoke baffle plate / Brazier: Skamolex / cast iron
- Door / Handle: cast iron with self-cleaning ceramic glass resistant up to 750°C / steel
- Removable ash drawer: yes
- Standard flue outlet position: top
- Glass cleaning: continuous air flow
- Primary and secondary air: adjustable
- Heat Extender System: optional
- Ash vacuum cleaner: optional
- Installation: wall - corner

### TECHNICAL DATA

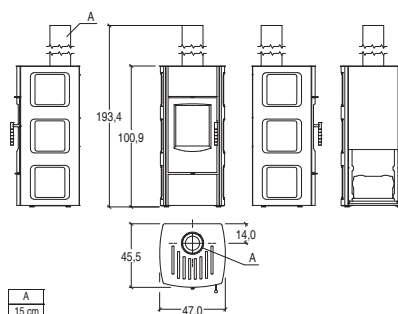
• Model		E520 C
• Type		SL260-02
• Room heating capacity (min - max)	m <sup>3</sup>	110 - 190
• Nominal heat output	kW	6,5
• Nominal thermal efficiency	%	87,7
• Nominal consumption	kg/h	1,81
• Size of wood pieces	cm	25 - 30
• Firebox opening W x H	cm	27 x 25
• Weight	kg	122
• Weight incl. Heat Extender System	kg	153

Laboratory data obtained in the configuration with upper flue outlet and Piazzetta smoke duct, L 100 cm, for connection to the flue. The smoke duct is already included in the firebox package and is an integral part of the model.



CODE EURO

TOTAL PRICE			<b>2.450,00</b>
Cladding	BIANCO	P06501300C	850,00
	ROSSO LAVA	P06501450C	850,00
	VERDE MIRTO	P06501250C	850,00
Stove	E520	P07520000C	1.600,00
<b>Accessories on request</b>			
Multifuoco System® single		P08027800C	780,00
Heat Extender System		P08063500C	625,00



All dimensions in cm.

# WOOD-BURNING STOVES

## E520 T STEEL



### GENERAL CHARACTERISTICS

- Heating: Multifuoco System® with 4 speed levels, optional. Ductable hot air / Heat Extender System, optional / Natural convection
- Front ventilation: air vent
- Cladding / Top surface: steel / steel
- Stove: steel
- Fire pit: Skamolex
- Smoke baffle plate / Brazier: Skamolex / cast iron
- Door / Handle: cast iron with self-cleaning ceramic glass resistant up to 750°C / steel
- Removable ash drawer: yes
- Standard flue outlet position: top
- Glass cleaning: continuous air flow
- Primary and secondary air: adjustable
- Heat Extender System: optional
- Ash vacuum cleaner: optional
- Installation: wall - corner

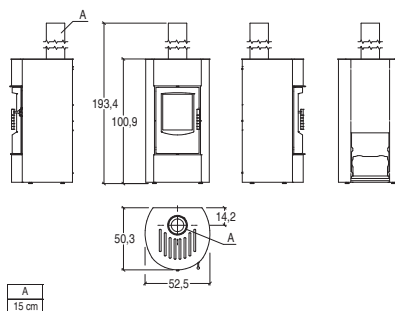
### TECHNICAL DATA

• Model		E520 T ST
• Type		SL260-02
• Room heating capacity (min - max)	m <sup>3</sup>	110 - 190
• Nominal heat output	kW	6,5
• Nominal thermal efficiency	%	87,7
• Nominal consumption	kg/h	1,81
• Size of wood pieces	cm	25 - 30
• Firebox opening W x H	cm	27 x 25
• Weight	kg	125
• Weight incl. Heat Extender System	kg	156

Laboratory data obtained in the configuration with upper flue outlet and Piazzetta smoke duct, L 100 cm, for connection to the flue. The smoke duct is already included in the firebox package and is an integral part of the model.



		CODE	EURO
<b>TOTAL PRICE</b>			<b>1.955,00</b>
Cladding	BIANCO OPACO	P19520110C	300,00
	CORTEN	P19520130C	300,00
	NERO OPACO	P19520120C	300,00
Stove	E520 T	P07520100C	1.655,00
<b>Accessories on request</b>			
	Multifuoco System® single	P08027810C	780,00
	Heat Extender System	P08063500C	625,00



All dimensions in cm.

# WOOD-BURNING STOVES

## E530



### GENERAL CHARACTERISTICS

- Heating: Multifuoco System® with 4 speed levels, optional. Ductable hot air / Heat Extender System, optional / Natural convection
- Front ventilation: air vent
- Cladding / Top surface: majolica / steel
- Stove: steel
- Fire pit: Skamolex
- Smoke baffle plate / Brazier: Skamolex / cast iron
- Door / Handle: cast iron with self-cleaning ceramic glass resistant up to 750°C / steel
- Removable ash drawer: yes
- Standard flue outlet position: top
- Glass cleaning: continuous air flow
- Primary and secondary air: adjustable
- Heat Extender System: optional
- Ash vacuum cleaner: optional
- Installation: wall - corner

### TECHNICAL DATA

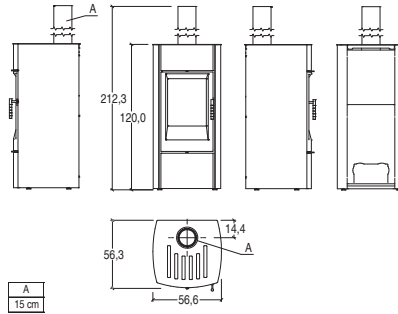
• Model		E530
• Type		SL270-02
• Room heating capacity (min - max)	m <sup>3</sup>	145 - 245
• Nominal heat output	kW	8,5
• Nominal thermal efficiency	%	89,7
• Nominal consumption	kg/h	2,19
• Size of wood pieces	cm	40 - 43
• Firebox opening W x H	cm	34,5 x 38,5
• Weight	kg	174

Laboratory data obtained in the configuration with upper flue outlet and Piazzetta smoke duct, L 100 cm, for connection to the flue. The smoke duct is already included in the firebox package and is an integral part of the model.



CODE EURO

TOTAL PRICE			<b>2.840,00</b>
Cladding	ARDESIA	P06504240C	920,00
	BIANCO CALCE	P06504940C	920,00
	MARRONE TENNÉ	P065043B0C	920,00
Stove	E530	P07530000C	1.920,00
<b>Accessories on request</b>			
	Multifuoco System® single	P08027820C	780,00
	Heat Extender System	P08063510C	625,00



All dimensions in cm.

# WOOD-BURNING STOVES

## E530 STEEL



### GENERAL CHARACTERISTICS

- Heating: Multifuoco System® with 4 speed levels, optional. Ductable hot air / Heat Extender System, optional / Natural convection
- Front ventilation: air vent
- Cladding / Top surface: steel / steel
- Stove: steel
- Fire pit: Skamolex
- Smoke baffle plate / Brazier: Skamolex / cast iron
- Door / Handle: cast iron with self-cleaning ceramic glass resistant up to 750°C / steel
- Removable ash drawer: yes
- Standard flue outlet position: top
- Glass cleaning: continuous air flow
- Primary and secondary air: adjustable
- Heat Extender System: optional
- Ash vacuum cleaner: optional
- Installation: wall - corner

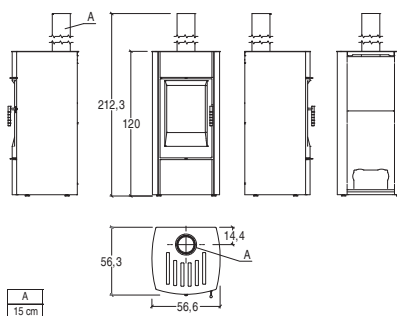
### TECHNICAL DATA

• Model		E530 ST
• Type		SL270-02
• Room heating capacity (min - max)	m <sup>3</sup>	145 - 245
• Nominal heat output	kW	8,5
• Nominal thermal efficiency	%	89,7
• Nominal consumption	kg/h	2,19
• Size of wood pieces	cm	40 - 43
• Firebox opening W x H	cm	34,5 x 38,5
• Weight	kg	140
• Weight incl. Heat Extender System	kg	171

Laboratory data obtained in the configuration with upper flue outlet and Piazzetta smoke duct, L 100 cm, for connection to the flue. The smoke duct is already included in the firebox package and is an integral part of the model.



		CODE	EURO
TOTAL PRICE			<b>2.220,00</b>
Cladding	BIANCO OPACO	P19530010C	300,00
	CORTEN	P19530030C	300,00
	NERO OPACO	P19530020C	300,00
Stove	E530	P07530000C	1.920,00
<b>Accessories on request</b>			
	Multifuoco System® single	P08027820C	780,00
	Heat Extender System	P08063510C	625,00



All dimensions in cm.

# WOOD-BURNING STOVES

## E530 C



### GENERAL CHARACTERISTICS

- Heating: Multifuoco System® with 4 speed levels, optional. Ductable hot air / Heat Extender System, optional / Natural convection
- Front ventilation: air vent
- Cladding / Top surface: majolica / steel
- Stove: steel
- Fire pit: Skamolex
- Smoke baffle plate / Brazier: Skamolex / cast iron
- Door / Handle: cast iron with self-cleaning ceramic glass resistant up to 750°C / steel
- Removable ash drawer: yes
- Standard flue outlet position: top
- Glass cleaning: continuous air flow
- Primary and secondary air: adjustable
- Heat Extender System: optional
- Ash vacuum cleaner: optional
- Installation: wall - corner

### TECHNICAL DATA

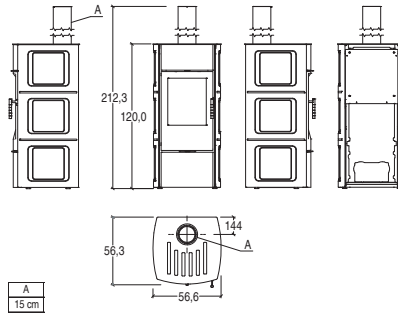
• Model		E530 C
• Type		SL270-02
• Room heating capacity (min - max)	m <sup>3</sup>	145 - 245
• Nominal heat output	kW	8,5
• Nominal thermal efficiency	%	89,7
• Nominal consumption	kg/h	2,19
• Size of wood pieces	cm	40 - 43
• Firebox opening W x H	cm	34,5 x 38,5
• Weight	kg	168

Laboratory data obtained in the configuration with upper flue outlet and Piazzetta smoke duct, L 100 cm, for connection to the flue. The smoke duct is already included in the firebox package and is an integral part of the model.



CODE EURO

TOTAL PRICE			<b>2.840,00</b>
Cladding	BIANCO	P06505300C	920,00
	ROSSO LAVA	P06505450C	920,00
	VERDE MIRTO	P06505250C	920,00
Stove	E530	P07530000C	1.920,00
<b>Accessories on request</b>			
	Multifuoco System® single	P08027820C	780,00
	Heat Extender System	P08063510C	625,00



All dimensions in cm.

# WOOD-BURNING STOVES

## E530 T STEEL



### GENERAL CHARACTERISTICS

- Heating: Multifuoco System® with 4 speed levels, optional. Ductable hot air / Heat Extender System, optional / Natural convection
- Front ventilation: air vent
- Cladding / Top surface: steel / steel
- Stove: steel
- Fire pit: Skamolex
- Smoke baffle plate / Brazier: Skamolex / cast iron
- Door / Handle: cast iron with self-cleaning ceramic glass resistant up to 750°C / steel
- Removable ash drawer: yes
- Standard flue outlet position: top
- Glass cleaning: continuous air flow
- Primary and secondary air: adjustable
- Heat Extender System: optional
- Ash vacuum cleaner: optional
- Installation: wall - corner

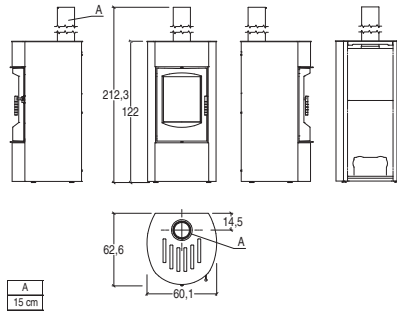
### TECHNICAL DATA

• Model		E530 T ST
• Type		SL270-02
• Room heating capacity (min - max)	m <sup>3</sup>	145 - 245
• Nominal heat output	kW	8,5
• Nominal thermal efficiency	%	89,7
• Nominal consumption	kg/h	2,19
• Size of wood pieces	cm	40 - 43
• Firebox opening W x H	cm	34,5 x 38,5
• Weight	kg	155
• Weight incl. Heat Extender System	kg	186

Laboratory data obtained in the configuration with upper flue outlet and Piazzetta smoke duct, L 100 cm, for connection to the flue. The smoke duct is already included in the firebox package and is an integral part of the model.



		CODE	EURO
TOTAL PRICE			<b>2.295,00</b>
Cladding	BIANCO OPACO	P19530110C	325,00
	CORTEN	P19530130C	325,00
	NERO OPACO	P19530120C	325,00
Stove	E530 T	P07530100C	1.970,00
<b>Accessories on request</b>			
	Multifuoco System® single	P08027830C	780,00
	Heat Extender System	P08063510C	625,00



All dimensions in cm.



# WOOD-BURNING STOVES

## E900 M WITH OVEN



### GENERAL CHARACTERISTICS

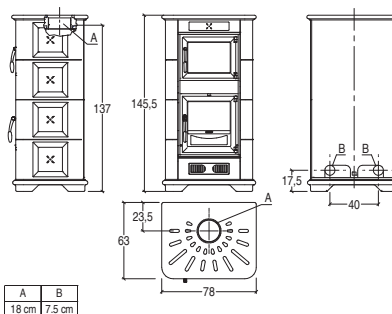
- Heating: Multifuoco System® with 4 speed levels, optional. Ductable hot air / Natural convection
- Front ventilation: directional air vent
- Cladding / Top surface: majolica / majolica
- Stove: steel
- Firebox: cast iron
- Smoke baffle plate / Brazier: steel / cast iron
- Door / Handle: cast iron with self-cleaning ceramic glass resistant up to 750°C / brass
- Removable ash drawer: yes
- Ash tray: yes
- Oven: stainless steel
- Standard flue position: top (installation of anticondensation standard on top flue)
- Glass cleaning: continuous air flow
- Primary and secondary air: adjustable
- Ash vacuum cleaner: optional
- Installation: wall - corner

### TECHNICAL DATA

• Model		E900 M
• Type		E900
• Room heating capacity (min - max)	m <sup>3</sup>	220 - 375
• Nominal heat output max	kW	13,0
• Nominal thermal efficiency	%	79,0
• Nominal consumption	kg/h	3,9
• Size of wood pieces	cm	40 - 43
• Firebox opening W x H	cm	39 x 27
• Weight	kg	305



		CODE	EURO
TOTAL STOVE			<b>5.940,00</b>
Cladding	BIANCO ANTICO	P06016640C	1.805,00
	ROSSO	P06016900C	1.805,00
	TERRA ORIENTE	P06016550C	1.805,00
Stove	E900	P07009002C	4.135,00
<b>Accessories on request</b>			
	Multifuoco System® single	P08020170C	725,00
	Multifuoco System Plus single	P08020510C	905,00



All dimensions in cm.

# WOOD-BURNING STOVES

## E924 Hermetic



### GENERAL CHARACTERISTICS

- Heating: optional HSS heat storage system / Natural convection
- Cladding / Top surface: majolica / majolica
- Stove: airtight steel
- Firebox: Aluker®
- Smoke baffle plate / Brazier: Aluker® - Skamolex / cast iron
- Door / Handle: steel with self-cleaning ceramic glass resistant up to 750°C / steel and silicone
- Removable ash drawer: yes
- Standard flue outlet position: top
- Humidifier: optional (only on top flue version)
- Glass cleaning: continuous air flow
- Stove base: rotating or fixed
- Pre-heated primary and secondary air: adjustable
- Pre-set tertiary air: pre-heated
- HSS Storage: optional (only available on top flue version)
- Outside air kit: standard
- Ash vacuum cleaner: optional
- Installation: room centre - wall - corner

### TECHNICAL DATA

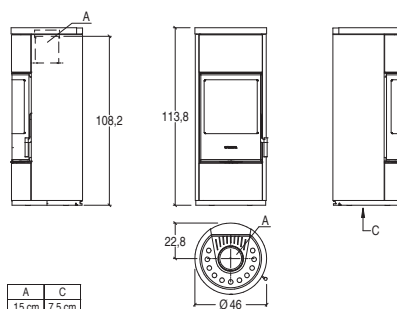
• Model		E924
• Type		SL300-03
• Room heating capacity (min - max)	m <sup>3</sup>	120 - 210
• Nominal heat output max	kW	7,2
• Nominal thermal efficiency	%	85,1
• Nominal consumption	kg/h	1,9
• Size of wood pieces	cm	27 - 30
• Firebox opening W x H	cm	22,5 x 34,5
• Weight	kg	141
• Weight incl. HSS	kg	171

Laboratory data obtained in the configuration with upper flue outlet and Piazzetta smoke duct, L 100 cm, for connection to the flue. The smoke duct is already included in the firebox package and is an integral part of the model.



	CODE	EURO
VERSION	- ONLY TOP FLUE OUTLET - FIXED BASE - OUTSIDE AIR KIT INCLUDED (WITH FLOOR LEVEL AIR INTAKE)	
TOTAL PRICE		<b>4.025,00</b>
Cladding	ARDESIA	P06120240C 1.480,00
	BIANCO	P06120300C 1.480,00
	GIALLO ACCESO	P06120260C 1.480,00
	GRIGIO CERATO	P06120310C 1.480,00
	NERO OPACO	P06120160C 1.480,00
	ROSSO LAVA	P06120450C 1.480,00
Stove	E924 Hermetic without rotation system	PI9240020-0 2.545,00
<b>Accessories on request</b>		
	Heat Storage System (HSS) kit	P08060130C 430,00
	Flexible pipe Ø 7,5 cm for combustion air / hot air ducting	N08011005 19,00 per linear metre

	CODE	EURO
VERSION	- ONLY TOP FLUE OUTLET - ROTATION SYSTEM - OUTSIDE AIR KIT OPTIONAL	
TOTAL PRICE		<b>4.455,00</b>
Cladding	ARDESIA	P06120240C 1.480,00
	BIANCO	P06120300C 1.480,00
	GIALLO ACCESO	P06120260C 1.480,00
	GRIGIO CERATO	P06120310C 1.480,00
	NERO OPACO	P06120160C 1.480,00
	ROSSO LAVA	P06120450C 1.480,00
Stove	E924 Hermetic with rotation system	PI9240020-1 2.975,00
<b>Accessories on request</b>		
	Heat Storage System (HSS) kit	P08060130C 430,00
	Combustion air kit for rotating stove base (for center room or wall mount units with with duct for extracting outdoor air from at floor level)	P08060220C 85,00
	Flexible pipe Ø 7,5 cm for combustion air / hot air ducting	N08011005 19,00 per linear metre



All dimensions in cm.

# WOOD-BURNING STOVES

## E924 Hermetic



### GENERAL CHARACTERISTICS

- Heating: optional HSS heat storage system / Natural convection
- Cladding / Top surface: majolica / majolica
- Stove: airtight steel
- Firebox: Aluker®
- Smoke baffle plate / Brazier: Aluker® - Skamolex / cast iron
- Door / Handle: steel with self-cleaning ceramic glass resistant up to 750°C / steel and silicone
- Removable ash drawer: yes
- Standard flue outlet position: top or rear
- Humidifier: optional (only on top flue version)
- Glass cleaning: continuous air flow
- Stove base: rotating or fixed
- Pre-heated primary and secondary air: adjustable
- Pre-set tertiary air: pre-heated
- HSS Storage: optional (only available on top flue version)
- Outside air kit: standard
- Ash vacuum cleaner: optional
- Installation: room centre - wall - corner

### TECHNICAL DATA

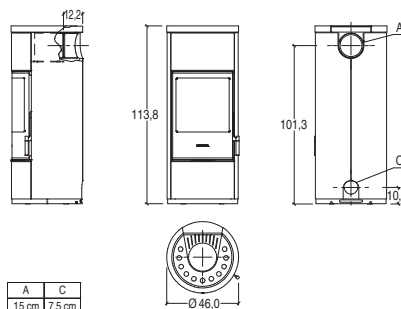
• Model		E924
• Type		SL300-03
• Room heating capacity (min - max)	m <sup>3</sup>	120 - 210
• Nominal heat output max	kW	7,2
• Nominal thermal efficiency	%	85,1
• Nominal consumption	kg/h	1,9
• Size of wood pieces	cm	27 - 30
• Firebox opening W x H	cm	22,5 x 34,5
• Weight	kg	141
• Weight incl. HSS	kg	171

Laboratory data obtained in the configuration with upper flue outlet and Piazzetta smoke duct, L 100 cm, for connection to the flue. The smoke duct is already included in the firebox package and is an integral part of the model.



CODE EURO

VERSION	- TOP OR REAR FLUE OUTLET - FIXED BASE - OUTSIDE AIR KIT OPTIONAL	
TOTAL PRICE		<b>4.260,00</b>
Cladding	ARDESIA	P06116240C 1.715,00
	BIANCO	P06116300C 1.715,00
	GIALLO ACCESO	P06116260C 1.715,00
	GRIGIO CERATO	P06116310C 1.715,00
	NERO OPACO	P06116160C 1.715,00
	ROSSO LAVA	P06116450C 1.715,00
Stove	E924 Hermetic without rotation system	PI9240020-0 2.545,00
<b>Accessories on request</b>		
Combustion air kit for cladding for rear flue outlet and non-rotating stove base	P08060200C	180,00
Rear flue kit	P08060180C	110,00
Flexible pipe Ø 7,5 cm for combustion air / hot air ducting	N08011005	19,00 per linear metre



All dimensions in cm.

# WOOD-BURNING STOVES

## E924 Hermetic BCS



### GENERAL CHARACTERISTICS

- Heating: optional HSS heat storage system / Natural convection
- Cladding / Top surface: majolica / majolica
- Stove: airtight steel
- Firebox: Aluker®
- Smoke baffle plate / Brazier: Aluker® - Skamolex / cast iron
- Door / Handle: steel with self-cleaning ceramic glass resistant up to 750°C / steel and silicone
- Removable ash drawer: yes
- Standard flue outlet position: top
- Humidifier: optional (only on top flue version)
- Glass cleaning: continuous air flow
- Stove base: rotating or fixed
- Pre-heated primary and secondary air: electronically controlled
- Pre-set tertiary air: pre-heated
- Burn Control System: yes
- HSS Storage: optional (only available on top flue version)
- Outside air kit: standard
- Ash vacuum cleaner: optional
- Installation: room centre - wall - corner

### TECHNICAL DATA

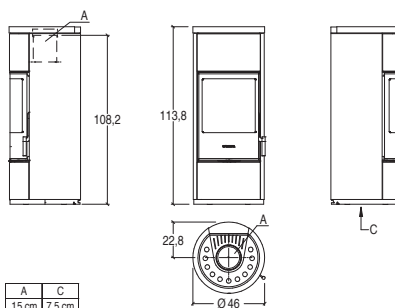
• Model		E924 BCS
• Type		SL301-03
• Room heating capacity (min - max)	m <sup>3</sup>	120 - 210
• Nominal heat output max	kW	7,2
• Nominal thermal efficiency	%	85,3
• Nominal consumption	kg/h	1,9
• Size of wood pieces	cm	27 - 30
• Firebox opening W x H	cm	22,5 x 34,5
• Weight	kg	141
• Weight incl. HSS	kg	171

Laboratory data obtained in the configuration with upper flue outlet and Piazzetta smoke duct, L 100 cm, for connection to the flue. The smoke duct is already included in the firebox package and is an integral part of the model.



		CODE	EURO
VERSION	- ONLY TOP FLUE OUTLET - FIXED BASE - OUTSIDE AIR KIT INCLUDED (WITH FLOOR LEVEL AIR INTAKE)		
TOTAL PRICE			<b>5.080,00</b>
Cladding	ARDESIA	P06120240C	1.480,00
	BIANCO	P06120300C	1.480,00
	GIALLO ACCESO	P06120260C	1.480,00
	GRIGIO CERATO	P06120310C	1.480,00
	NERO OPACO	P06120160C	1.480,00
	ROSSO LAVA	P06120450C	1.480,00
Stove	E924 Hermetic BCS without rotation system	PI9241020-0	3.600,00
<b>Accessories on request</b>			
	Heat Storage System (HSS) kit	P08060130C	430,00
	Flexible pipe Ø 7,5 cm for combustion air / hot air ducting	N08011005	19,00 per linear metre

		CODE	EURO
VERSION	- ONLY TOP FLUE OUTLET - ROTATION SYSTEM - OUTSIDE AIR KIT OPTIONAL		
TOTAL PRICE			<b>5.510,00</b>
Cladding	ARDESIA	P06120240C	1.480,00
	BIANCO	P06120300C	1.480,00
	GIALLO ACCESO	P06120260C	1.480,00
	GRIGIO CERATO	P06120310C	1.480,00
	NERO OPACO	P06120160C	1.480,00
	ROSSO LAVA	P06120450C	1.480,00
Stove	E924 Hermetic BCS with rotation system	PI9241020-1	4.030,00
<b>Accessories on request</b>			
	Heat Storage System (HSS) kit	P08060130C	430,00
	Combustion air kit for rotating stove base (for center room or wall mount units with duct for extracting outdoor air from at floor level)	P08060220C	85,00
	Flexible pipe Ø 7,5 cm for combustion air / hot air ducting	N08011005	19,00 per linear metre



All dimensions in cm.

# WOOD-BURNING STOVES

## E924 Hermetic BCS



### GENERAL CHARACTERISTICS

- Heating: optional HSS heat storage system / Natural convection
- Cladding / Top surface: majolica / majolica
- Stove: airtight steel
- Firebox: Aluker®
- Smoke baffle plate / Brazier: Aluker® - Skamolex / cast iron
- Door / Handle: steel with self-cleaning ceramic glass resistant up to 750°C / steel and silicone
- Removable ash drawer: yes
- Standard flue outlet position: top or rear
- Humidifier: optional (only on top flue version)
- Glass cleaning: continuous air flow
- Stove base: rotating or fixed
- Pre-heated primary and secondary air: electronically controlled
- Pre-set tertiary air: pre-heated
- Burn Control System: yes
- HSS Storage: optional (only available on top flue version)
- Outside air kit: standard
- Ash vacuum cleaner: optional
- Installation: room centre - wall - corner

### TECHNICAL DATA

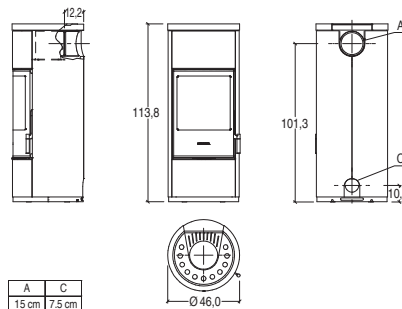
		E924 BCS
• Model		SL301-03
• Type		120 - 210
• Room heating capacity (min - max)	m <sup>3</sup>	7,2
• Nominal heat output max	kW	85,3
• Nominal thermal efficiency	%	1,9
• Nominal consumption	kg/h	27 - 30
• Size of wood pieces	cm	22,5 x 34,5
• Firebox opening W x H	cm	141
• Weight	kg	171
• Weight incl. HSS	kg	

Laboratory data obtained in the configuration with upper flue outlet and Piazzetta smoke duct, L 100 cm, for connection to the flue. The smoke duct is already included in the firebox package and is an integral part of the model.



CODE EURO

VERSION	- TOP OR REAR FLUE OUTLET - FIXED BASE - OUTSIDE AIR KIT OPTIONAL	
TOTAL PRICE		<b>5.315,00</b>
Cladding	ARDESIA	P06116240C 1.715,00
	BIANCO	P06116300C 1.715,00
	GIALLO ACCESO	P06116260C 1.715,00
	GRIGIO CERATO	P06116310C 1.715,00
	NERO OPACO	P06116160C 1.715,00
	ROSSO LAVA	P06116450C 1.715,00
Stove	E924 Hermetic BCS without rotation system	PI9241020-0 3.600,00
<b>Accessories on request</b>		
	Combustion air kit for cladding for rear flue outlet and non-rotating stove base	P08060200C 180,00
	Rear flue kit	P08060180C 110,00
	Flexible pipe Ø 7,5 cm for combustion air / hot air ducting	N08011005 19,00 per linear metre



All dimensions in cm.

# WOOD-BURNING STOVES

## E924 A Hermetic



### GENERAL CHARACTERISTICS

- Heating: natural convection
- Cladding / Top surface: majolica / majolica
- Stove: airtight steel
- Firebox: Aluker®
- Smoke baffle plate / Brazier: Aluker® - Skamolex / cast iron
- Door / Handle: steel with self-cleaning ceramic glass resistant up to 750°C / steel and silicone
- Removable ash drawer: yes
- Standard flue outlet position: top
- Glass cleaning: continuous air flow
- Stove base: rotating or fixed
- Pre-heated primary and secondary air: adjustable
- Pre-set tertiary air: pre-heated
- Outside air kit: standard
- Ash vacuum cleaner: optional
- Installation: room centre - wall - corner

### TECHNICAL DATA

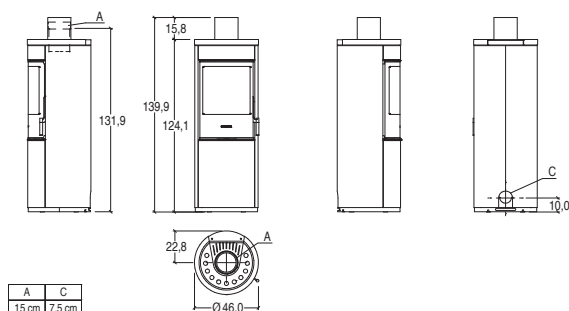
• Model		E924 A
• Type		SL300-03
• Room heating capacity (min - max)	m <sup>3</sup>	120 - 210
• Nominal heat output max	kW	7,2
• Nominal thermal efficiency	%	85,1
• Nominal consumption	kg/h	1,9
• Size of wood pieces	cm	27 - 30
• Firebox opening W x H	cm	22,5 x 34,5
• Weight	kg	143

Laboratory data obtained in the configuration with upper flue outlet and Piazzetta smoke duct, L 100 cm, for connection to the flue. The smoke duct is already included in the firebox package and is an integral part of the model.



		CODE	EURO
VERSION	- ONLY TOP FLUE OUTLET - FIXED BASE - COMBUSTION AIR KIT, STANDARD (EXTRACTING AIR AT FLOOR LEVEL/ OUTSIDE WALL)		
TOTAL PRICE			<b>4.245,00</b>
Cladding	ARDESIA	P06114240C	1.700,00
	BIANCO	P06114300C	1.700,00
	GIALLO ACCESO	P06114260C	1.700,00
	GRIGIO CERATO	P06114310C	1.700,00
	NERO OPACO	P06114160C	1.700,00
	ROSSO LAVA	P06114450C	1.700,00
Stove	E924 Hermetic without rotation system	PI9240010-0	2.545,00
<b>Accessories on request</b>			
	Flexible pipe Ø 7,5 cm for combustion air / hot air ducting	N08011005	19,00 per linear metre

		CODE	EURO
VERSION	- ONLY TOP FLUE OUTLET - FIXED BASE - OUTSIDE AIR KIT INCLUDED (WITH FLOOR LEVEL AIR INTAKE)		
TOTAL PRICE			<b>4.150,00</b>
Cladding	ARDESIA	P06119240C	1.605,00
	BIANCO	P06119300C	1.605,00
	GIALLO ACCESO	P06119260C	1.605,00
	GRIGIO CERATO	P06119310C	1.605,00
	NERO OPACO	P06119160C	1.605,00
	ROSSO LAVA	P06119450C	1.605,00
Stove	E924 Hermetic without rotation system	PI9240010-0	2.545,00
<b>Accessories on request</b>			
	Flexible pipe Ø 7,5 cm for combustion air / hot air ducting	N08011005	19,00 per linear metre



All dimensions in cm.

# WOOD-BURNING STOVES

## E924 A Hermetic



### GENERAL CHARACTERISTICS

- Heating: natural convection
- Cladding / Top surface: majolica / majolica
- Stove: airtight steel
- Firebox: Aluker®
- Smoke baffle plate / Brazier: Aluker® - Skamolex / cast iron
- Door / Handle: steel with self-cleaning ceramic glass resistant up to 750°C / steel and silicone
- Removable ash drawer: yes
- Standard flue outlet position: top
- Glass cleaning: continuous air flow
- Stove base: rotating or fixed
- Pre-heated primary and secondary air: adjustable
- Pre-set tertiary air: pre-heated
- Outside air kit: standard
- Ash vacuum cleaner: optional
- Installation: room centre - wall - corner

### TECHNICAL DATA

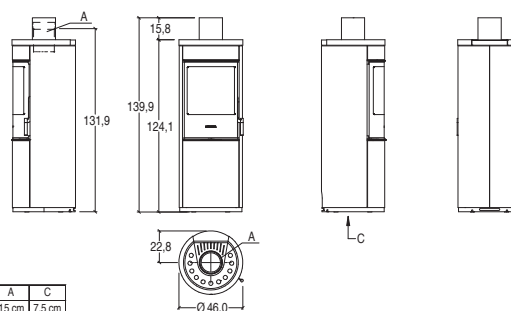
• Model		E924 A
• Type		SL300-03
• Room heating capacity (min - max)	m <sup>3</sup>	120 - 210
• Nominal heat output max	kW	7,2
• Nominal thermal efficiency	%	85,1
• Nominal consumption	kg/h	1,9
• Size of wood pieces	cm	27 - 30
• Firebox opening W x H	cm	22,5 x 34,5
• Weight	kg	143

Laboratory data obtained in the configuration with upper flue outlet and Piazzetta smoke duct, L 100 cm, for connection to the flue. The smoke duct is already included in the firebox package and is an integral part of the model.



CODE EURO

VERSION	- ONLY TOP FLUE OUTLET - ROTATION SYSTEM - OPTIONAL OUTSIDE AIR KIT (EXTRACTING AIR AT FLOOR LEVEL)	
TOTAL PRICE		<b>4.635,00</b>
Cladding	ARDESIA	P06119240C 1.605,00
	BIANCO	P06119300C 1.605,00
	GIALLO ACCESO	P06119260C 1.605,00
	GRIGIO CERATO	P06119310C 1.605,00
	NERO OPACO	P06119160C 1.605,00
	ROSSO LAVA	P06119450C 1.605,00
Stove	E924 Hermetic with rotation system	PI9240010-1 3.030,00
<b>Accessories on request</b>		
	Combustion air kit for rotating stove base (for center room or wall mount units with with duct for extracting outdoor air from at floor level)	P08060220C 85,00
	Flexible pipe Ø 7,5 cm for combustion air / hot air ducting	N08011005 19,00 per linear metre



All dimensions in cm.



# WOOD-BURNING STOVES

## E924 A Hermetic BCS



### GENERAL CHARACTERISTICS

- Heating: natural convection
- Cladding / Top surface: majolica / majolica
- Stove: airtight steel
- Firebox: Aluker®
- Smoke baffle plate / Brazier: Aluker® - Skamolex / cast iron
- Door / Handle: steel with self-cleaning ceramic glass resistant up to 750°C / steel and silicone
- Removable ash drawer: yes
- Standard flue outlet position: top
- Glass cleaning: continuous air flow
- Stove base: rotating or fixed
- Pre-heated primary and secondary air: electronically controlled
- Pre-set tertiary air: pre-heated
- Burn Control System: yes
- Outside air kit: standard
- Ash vacuum cleaner: optional
- Installation: room centre - wall - corner

### TECHNICAL DATA

		E924 A BCS
• Model		SL301-03
• Type		120 - 210
• Room heating capacity (min - max)	m <sup>3</sup>	7,2
• Nominal heat output max	kW	85,3
• Nominal thermal efficiency	%	1,9
• Nominal consumption	kg/h	27 - 30
• Size of wood pieces	cm	22,5 x 34,5
• Firebox opening W x H	cm	143
• Weight	kg	

Laboratory data obtained in the configuration with upper flue outlet and Piazzetta smoke duct, L 100 cm, for connection to the flue. The smoke duct is already included in the firebox package and is an integral part of the model.



		CODE	EURO
VERSION	- ONLY TOP FLUE OUTLET - FIXED BASE - COMBUSTION AIR KIT, STANDARD (EXTRACTING AIR AT FLOOR LEVEL/ OUTSIDE WALL)		
TOTAL PRICE			<b>5.300,00</b>
Cladding	ARDESIA	P06114240C	1.700,00
	BIANCO	P06114300C	1.700,00
	GIALLO ACCESO	P06114260C	1.700,00
	GRIGIO CERATO	P06114310C	1.700,00
	NERO OPACO	P06114160C	1.700,00
	ROSSO LAVA	P06114450C	1.700,00
Stove	E924 Hermetic BCS without rotation system	PI9241010-0	3.600,00

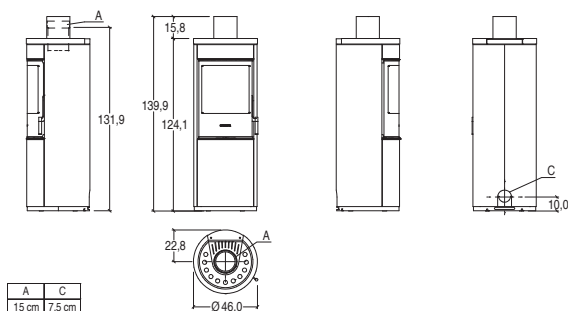
#### Accessories on request

Flexible pipe Ø 7,5 cm for combustion air / hot air ducting	N08011005	19,00
		per linear metre

		CODE	EURO
VERSION	- ONLY TOP FLUE OUTLET - FIXED BASE - OUTSIDE AIR KIT INCLUDED (WITH FLOOR LEVEL AIR INTAKE)		
TOTAL PRICE			<b>5.205,00</b>
Cladding	ARDESIA	P06119240C	1.605,00
	BIANCO	P06119300C	1.605,00
	GIALLO ACCESO	P06119260C	1.605,00
	GRIGIO CERATO	P06119310C	1.605,00
	NERO OPACO	P06119160C	1.605,00
	ROSSO LAVA	P06119450C	1.605,00
Stove	E924 Hermetic BCS without rotation system	PI9241010-0	3.600,00

#### Accessories on request

Flexible pipe Ø 7,5 cm for combustion air / hot air ducting	N08011005	19,00
		per linear metre



All dimensions in cm.

# WOOD-BURNING STOVES

## E924 A Hermetic BCS



### GENERAL CHARACTERISTICS

- Heating: natural convection
- Cladding / Top surface: majolica / majolica
- Stove: airtight steel
- Firebox: Aluker®
- Smoke baffle plate / Brazier: Aluker® - Skamolex / cast iron
- Door / Handle: steel with self-cleaning ceramic glass resistant up to 750°C / steel and silicone
- Removable ash drawer: yes
- Standard flue outlet position: top
- Glass cleaning: continuous air flow
- Stove base: rotating or fixed
- Pre-heated primary and secondary air: electronically controlled
- Pre-set tertiary air: pre-heated
- Burn Control System: yes
- Outside air kit: standard
- Ash vacuum cleaner: optional
- Installation: room centre - wall - corner

### TECHNICAL DATA

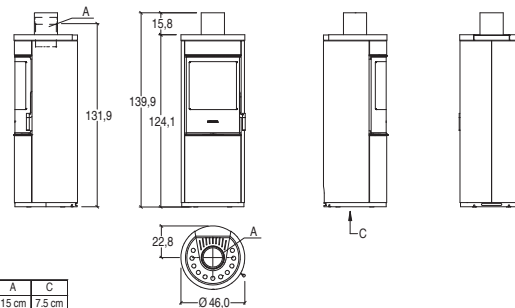
		E924 A BCS
• Model		SL301-03
• Type		120 - 210
• Room heating capacity (min - max)	m <sup>3</sup>	7,2
• Nominal heat output max	kW	85,3
• Nominal thermal efficiency	%	1,9
• Nominal consumption	kg/h	27 - 30
• Size of wood pieces	cm	22,5 x 34,5
• Firebox opening W x H	cm	143
• Weight	kg	

Laboratory data obtained in the configuration with upper flue outlet and Piazzetta smoke duct, L 100 cm, for connection to the flue. The smoke duct is already included in the firebox package and is an integral part of the model.



CODE EURO

VERSION	- ONLY TOP FLUE OUTLET - ROTATION SYSTEM - OPTIONAL OUTSIDE AIR KIT (EXTRACTING AIR AT FLOOR LEVEL)	
TOTAL PRICE		<b>5.690,00</b>
Cladding	ARDESIA	P06119240C 1.605,00
	BIANCO	P06119300C 1.605,00
	GIALLO ACCESO	P06119260C 1.605,00
	GRIGIO CERATO	P06119310C 1.605,00
	NERO OPACO	P06119160C 1.605,00
	ROSSO LAVA	P06119450C 1.605,00
Stove	E924 Hermetic BCS with rotation system	PI9241010-1 4.085,00
<b>Accessories on request</b>		
	Combustion air kit for rotating stove base (for center room or wall mount units with with duct for extracting outdoor air from at floor level)	P08060220C 85,00
	Flexible pipe Ø 7,5 cm for combustion air / hot air ducting	N08011005 19,00 per linear metre



All dimensions in cm.

# WOOD-BURNING STOVES

## E924 A-H Hermetic



### GENERAL CHARACTERISTICS

- Heating: optional HSS heat storage system / Natural convection
- Cladding / Top surface: majolica / majolica
- Stove: airtight steel
- Firebox: Aluker®
- Smoke baffle plate / Brazier: Aluker® - Skamolex / cast iron
- Door / Handle: steel with self-cleaning ceramic glass resistant up to 750°C / steel and silicone
- Removable ash drawer: yes
- Standard flue outlet position: top
- Glass cleaning: continuous air flow
- Stove base: rotating or fixed
- Pre-heated primary and secondary air: adjustable
- Pre-set tertiary air: pre-heated
- HSS Storage: optional (only available on top flue version)
- Outside air kit: standard
- Ash vacuum cleaner: optional
- Installation: room centre - wall - corner

### TECHNICAL DATA

		E924 A-H
• Model		SL300-03
• Type		120 - 210
• Room heating capacity (min - max)	m <sup>3</sup>	7,2
• Nominal heat output max	kW	85,1
• Nominal thermal efficiency	%	1,9
• Nominal consumption	kg/h	27 - 30
• Size of wood pieces	cm	22,5 x 34,5
• Firebox opening W x H	cm	163
• Weight	kg	233
• Weight incl. HSS	kg	

Laboratory data obtained in the configuration with upper flue outlet and Piazzetta smoke duct, L 100 cm, for connection to the flue. The smoke duct is already included in the firebox package and is an integral part of the model.



VERSION		CODE	EURO
- ONLY TOP FLUE OUTLET - FIXED BASE - OUTSIDE AIR KIT INCLUDED (WITH FLOOR LEVEL AIR INTAKE)			

TOTAL PRICE **4.685,00**

Cladding		CODE	EURO
ARDESIA		P06117240C	2.140,00
BIANCO		P06117300C	2.140,00
GIALLO ACCESO		P06117260C	2.140,00
GRIGIO CERATO		P06117310C	2.140,00
NERO OPACO		P06117160C	2.140,00
ROSSO LAVA		P06117450C	2.140,00

Stove E924 Hermetic without rotation system PI9240010-0 2.545,00

#### Accessories on request

Heat Storage System (HSS) kit	P08060140C	710,00
Flexible pipe Ø 7,5 cm for combustion air / hot air ducting	N08011005	19,00 per linear metre

VERSION		CODE	EURO
- ONLY TOP FLUE OUTLET - ROTATION SYSTEM - OPTIONAL OUTSIDE AIR KIT (EXTRACTING AIR AT FLOOR LEVEL)			

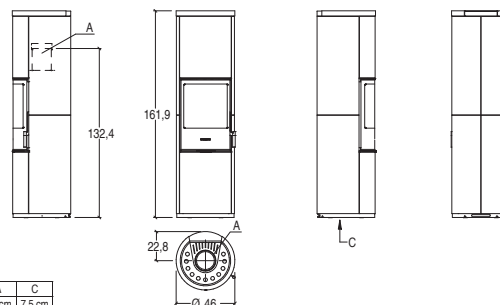
TOTAL PRICE **5.170,00**

Cladding		CODE	EURO
ARDESIA		P06117240C	2.140,00
BIANCO		P06117300C	2.140,00
GIALLO ACCESO		P06117260C	2.140,00
GRIGIO CERATO		P06117310C	2.140,00
NERO OPACO		P06117160C	2.140,00
ROSSO LAVA		P06117450C	2.140,00

Stove E924 Hermetic with rotation system PI9240010-1 3.030,00

#### Accessories on request

Heat Storage System (HSS) kit	P08060140C	710,00
Combustion air kit for rotating stove base (for center room or wall mount units with with duct for extracting outdoor air from at floor level)	P08060220C	85,00
Flexible pipe Ø 7,5 cm for combustion air / hot air ducting	N08011005	19,00 per linear metre



All dimensions in cm.

# WOOD-BURNING STOVES

## E924 A-H Hermetic



CODE EURO

VERSION	- TOP OR REAR FLUE OUTLET - FIXED BASE - COMBUSTION AIR KIT, STANDARD (EXTRACTING AIR AT FLOOR LEVEL/ OUTSIDE WALL)		
TOTAL PRICE	<b>5.055,00</b>		
Cladding	ARDESIA	P06113240C	2.510,00
	BIANCO	P06113300C	2.510,00
	GIALLO ACCESO	P06113260C	2.510,00
	GRIGIO CERATO	P06113310C	2.510,00
	NERO OPACO	P06113160C	2.510,00
	ROSSO LAVA	P06113450C	2.510,00
Stove	E924 Hermetic without rotation system	PI9240010-0	2.545,00
<b>Accessories on request</b>			
	Flexible pipe Ø 7,5 cm for combustion air / hot air ducting	N08011005	19,00 per linear metre

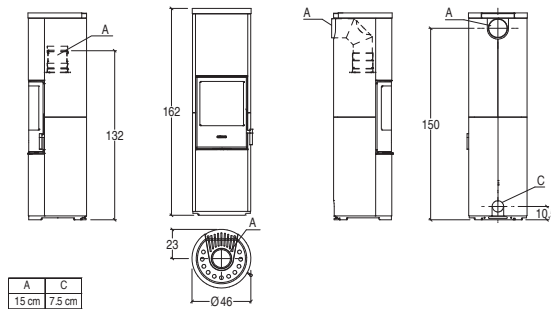
### GENERAL CHARACTERISTICS

- Heating: optional HSS heat storage system / Natural convection
- Cladding / Top surface: majolica / majolica
- Stove: airtight steel
- Firebox: Aluker®
- Smoke baffle plate / Brazier: Aluker® - Skamolex / cast iron
- Door / Handle: steel with self-cleaning ceramic glass resistant up to 750°C / steel and silicone
- Removable ash drawer: yes
- Standard flue outlet position: top or rear
- Glass cleaning: continuous air flow
- Stove base: rotating or fixed
- Pre-heated primary and secondary air: adjustable
- Pre-set tertiary air: pre-heated
- HSS Storage: optional (only available on top flue version)
- Outside air kit: standard
- Ash vacuum cleaner: optional
- Installation: room centre - wall - corner

### TECHNICAL DATA

• Model		E924 A-H
• Type		SL300-03
• Room heating capacity (min - max)	m <sup>3</sup>	120 - 210
• Nominal heat output max	kW	7,2
• Nominal thermal efficiency	%	85,1
• Nominal consumption	kg/h	1,9
• Size of wood pieces	cm	27 - 30
• Firebox opening W x H	cm	22,5 x 34,5
• Weight	kg	163
• Weight incl. HSS	kg	233

Laboratory data obtained in the configuration with upper flue outlet and Piazzetta smoke duct, L 100 cm, for connection to the flue. The smoke duct is already included in the firebox package and is an integral part of the model.



All dimensions in cm.



# WOOD-BURNING STOVES

## E924 A-H Hermetic BCS



### GENERAL CHARACTERISTICS

- Heating: optional HSS heat storage system / Natural convection
- Cladding / Top surface: majolica / majolica
- Stove: airtight steel
- Firebox: Aluker®
- Smoke baffle plate / Brazier: Aluker® - Skamolex / cast iron
- Door / Handle: steel with self-cleaning ceramic glass resistant up to 750°C / steel and silicone
- Removable ash drawer: yes
- Standard flue outlet position: top
- Glass cleaning: continuous air flow
- Stove base: rotating or fixed
- Pre-heated primary and secondary air: electronically controlled
- Pre-set tertiary air: pre-heated
- Burn Control System: yes
- HSS Storage: optional (only available on top flue version)
- Outside air kit: standard
- Ash vacuum cleaner: optional
- Installation: room centre - wall - corner

### TECHNICAL DATA

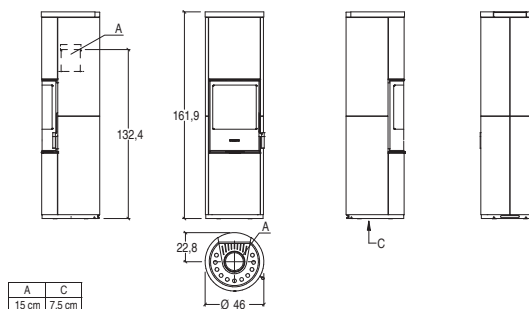
		E924 A-H BCS
• Model		SL301-03
• Type		120 - 210
• Room heating capacity (min - max)	m <sup>3</sup>	120 - 210
• Nominal heat output max	kW	7,2
• Nominal thermal efficiency	%	85,3
• Nominal consumption	kg/h	1,9
• Size of wood pieces	cm	27 - 30
• Firebox opening W x H	cm	22,5 x 34,5
• Weight	kg	163
• Weight incl. HSS	kg	233

Laboratory data obtained in the configuration with upper flue outlet and Piazzetta smoke duct, L 100 cm, for connection to the flue. The smoke duct is already included in the firebox package and is an integral part of the model.



		CODE	EURO
VERSION	- ONLY TOP FLUE OUTLET - FIXED BASE - OUTSIDE AIR KIT INCLUDED (WITH FLOOR LEVEL AIR INTAKE)		
TOTAL PRICE			<b>5.740,00</b>
Cladding	ARDESIA	P06117240C	2.140,00
	BIANCO	P06117300C	2.140,00
	GIALLO ACCESO	P06117260C	2.140,00
	GRIGIO CERATO	P06117310C	2.140,00
	NERO OPACO	P06117160C	2.140,00
	ROSSO LAVA	P06117450C	2.140,00
Stove	E924 Hermetic BCS without rotation system	PI9241010-0	3.600,00
<b>Accessories on request</b>			
	Heat Storage System (HSS) kit	P08060140C	710,00
	Flexible pipe Ø 7,5 cm for combustion air / hot air ducting	N08011005	19,00 <small>per linear metre</small>

		CODE	EURO
VERSION	- ONLY TOP FLUE OUTLET - ROTATION SYSTEM - OPTIONAL OUTSIDE AIR KIT (EXTRACTING AIR AT FLOOR LEVEL)		
TOTAL PRICE			<b>6.225,00</b>
Cladding	ARDESIA	P06117240C	2.140,00
	BIANCO	P06117300C	2.140,00
	GIALLO ACCESO	P06117260C	2.140,00
	GRIGIO CERATO	P06117310C	2.140,00
	NERO OPACO	P06117160C	2.140,00
	ROSSO LAVA	P06117450C	2.140,00
Stove	E924 Hermetic BCS with rotation system	PI9241010-1	4.085,00
<b>Accessories on request</b>			
	Heat Storage System (HSS) kit	P08060140C	710,00
	Combustion air kit for rotating stove base (for center room or wall mount units with duct for extracting outdoor air from at floor level)	P08060220C	85,00
	Flexible pipe Ø 7,5 cm for combustion air / hot air ducting	N08011005	19,00 <small>per linear metre</small>



All dimensions in cm.

# WOOD-BURNING STOVES

## E924 A-H Hermetic BCS



### GENERAL CHARACTERISTICS

- Heating: optional HSS heat storage system / Natural convection
- Cladding / Top surface: majolica / majolica
- Stove: airtight steel
- Firebox: Aluker®
- Smoke baffle plate / Brazier: Aluker® - Skamolex / cast iron
- Door / Handle: steel with self-cleaning ceramic glass resistant up to 750°C / steel and silicone
- Removable ash drawer: yes
- Standard flue outlet position: top or rear
- Glass cleaning: continuous air flow
- Stove base: rotating or fixed
- Pre-heated primary and secondary air: electronically controlled
- Pre-set tertiary air: pre-heated
- Burn Control System: yes
- HSS Storage: optional (only available on top flue version)
- Outside air kit: standard
- Ash vacuum cleaner: optional
- Installation: room centre - wall - corner

### TECHNICAL DATA

		E924 A-H BCS
• Model		SL301-03
• Type		120 - 210
• Room heating capacity (min - max)	m <sup>3</sup>	7,2
• Nominal heat output max	kW	85,3
• Nominal thermal efficiency	%	1,9
• Nominal consumption	kg/h	27 - 30
• Size of wood pieces	cm	22,5 x 34,5
• Firebox opening W x H	cm	163
• Weight	kg	233
• Weight incl. HSS	kg	

Laboratory data obtained in the configuration with upper flue outlet and Piazzetta smoke duct, L 100 cm, for connection to the flue. The smoke duct is already included in the firebox package and is an integral part of the model.

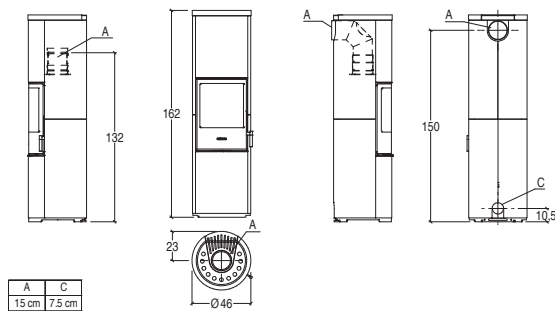


CODE EURO

VERSION	- TOP OR REAR FLUE OUTLET - FIXED BASE - COMBUSTION AIR KIT, STANDARD (EXTRACTING AIR AT FLOOR LEVEL/ OUTSIDE WALL)	
TOTAL PRICE		<b>6.110,00</b>
Cladding	ARDESIA	P06113240C 2.510,00
	BIANCO	P06113300C 2.510,00
	GIALLO ACCESO	P06113260C 2.510,00
	GRIGIO CERATO	P06113310C 2.510,00
	NERO OPACO	P06113160C 2.510,00
	ROSSO LAVA	P06113450C 2.510,00
Stove	E924 Hermetic BCS without rotation system	PI9241010-0 3.600,00

### Accessories on request

Flexible pipe Ø 7,5 cm for combustion air / hot air ducting	N08011005	19,00 per linear metre
---	-----------	---------------------------



All dimensions in cm.

# WOOD-BURNING STOVES

## E924-H Hermetic



### GENERAL CHARACTERISTICS

- Heating: optional HSS heat storage system / Natural convection
- Cladding / Top surface: majolica / majolica
- Stove: airtight steel
- Firebox: Aluker®
- Smoke baffle plate / Brazier: Aluker® - Skamolex / cast iron
- Door / Handle: steel with self-cleaning ceramic glass resistant up to 750°C / steel and silicone
- Removable ash drawer: yes
- Standard flue outlet position: top
- Glass cleaning: continuous air flow
- Stove base: rotating or fixed
- Pre-heated primary and secondary air: adjustable
- Pre-set tertiary air: pre-heated
- HSS Storage: optional (only available on top flue version)
- Outside air kit: standard
- Ash vacuum cleaner: optional
- Installation: room centre - wall - corner

### TECHNICAL DATA

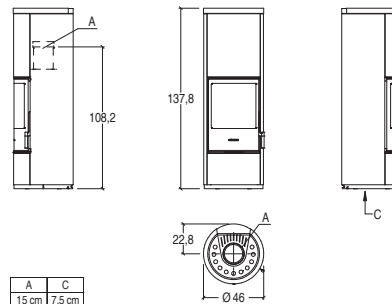
		E924-H
• Model		SL300-03
• Type		120 - 210
• Room heating capacity (min - max)	m <sup>3</sup>	7,2
• Nominal heat output max	kW	85,1
• Nominal thermal efficiency	%	1,9
• Nominal consumption	kg/h	27 - 30
• Size of wood pieces	cm	22,5 x 34,5
• Firebox opening W x H	cm	151
• Weight	kg	221
• Weight incl. HSS	kg	

Laboratory data obtained in the configuration with upper flue outlet and Piazzetta smoke duct, L 100 cm, for connection to the flue. The smoke duct is already included in the firebox package and is an integral part of the model.



	CODE	EURO
<b>VERSION</b>		
- ONLY TOP FLUE OUTLET - FIXED BASE - OUTSIDE AIR KIT INCLUDED (WITH FLOOR LEVEL AIR INTAKE)		
<b>TOTAL PRICE</b>		<b>4.315,00</b>
Cladding	ARDESIA	P06118240C 1.770,00
	BIANCO	P06118300C 1.770,00
	GIALLO ACCESO	P06118260C 1.770,00
	GRIGIO CERATO	P06118310C 1.770,00
	NERO OPACO	P06118160C 1.770,00
	ROSSO LAVA	P06118450C 1.770,00
Stove	E924 Hermetic without rotation system	PI9240020-0 2.545,00
<b>Accessories on request</b>		
Heat Storage System (HSS) kit	P08060140C	710,00
Flexible pipe Ø 7,5 cm for combustion air / hot air ducting	N08011005	19,00 per linear metre

	CODE	EURO
<b>VERSION</b>		
- ONLY TOP FLUE OUTLET - ROTATION SYSTEM - OPTIONAL OUTSIDE AIR KIT (EXTRACTING AIR AT FLOOR LEVEL)		
<b>TOTAL PRICE</b>		<b>4.745,00</b>
Cladding	ARDESIA	P06118240C 1.770,00
	BIANCO	P06118300C 1.770,00
	GIALLO ACCESO	P06118260C 1.770,00
	GRIGIO CERATO	P06118310C 1.770,00
	NERO OPACO	P06118160C 1.770,00
	ROSSO LAVA	P06118450C 1.770,00
Stove	E924 Hermetic with rotation system	PI9240020-1 2.975,00
<b>Accessories on request</b>		
Heat Storage System (HSS) kit	P08060140C	710,00
Combustion air kit for rotating stove base (for center room or wall mount units with with duct for extracting outdoor air from at floor level)	P08060220C	85,00
Flexible pipe Ø 7,5 cm for combustion air / hot air ducting	N08011005	19,00 per linear metre



All dimensions in cm.



# WOOD-BURNING STOVES

## E924-H Hermetic



### GENERAL CHARACTERISTICS

- Heating: optional HSS heat storage system / Natural convection
- Cladding / Top surface: majolica / majolica
- Stove: airtight steel
- Firebox: Aluker®
- Smoke baffle plate / Brazier: Aluker® - Skamolex / cast iron
- Door / Handle: steel with self-cleaning ceramic glass resistant up to 750°C / steel and silicone
- Removable ash drawer: yes
- Standard flue outlet position: top or rear
- Glass cleaning: continuous air flow
- Stove base: rotating or fixed
- Pre-heated primary and secondary air: adjustable
- Pre-set tertiary air: pre-heated
- HSS Storage: optional (only available on top flue version)
- Outside air kit: standard
- Ash vacuum cleaner: optional
- Installation: room centre - wall - corner

### TECHNICAL DATA

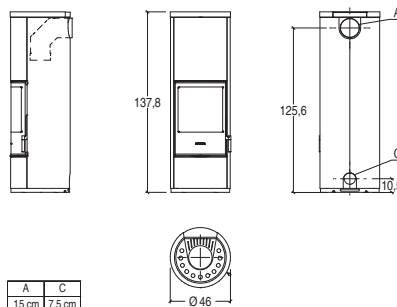
		E924-H
• Model		SL300-03
• Type		120 - 210
• Room heating capacity (min - max)	m <sup>3</sup>	7,2
• Nominal heat output max	kW	85,1
• Nominal thermal efficiency	%	1,9
• Nominal consumption	kg/h	27 - 30
• Size of wood pieces	cm	22,5 x 34,5
• Firebox opening W x H	cm	151
• Weight	kg	221
• Weight incl. HSS		

Laboratory data obtained in the configuration with upper flue outlet and Piazzetta smoke duct, L 100 cm, for connection to the flue. The smoke duct is already included in the firebox package and is an integral part of the model.



CODE EURO

VERSION	- TOP OR REAR FLUE OUTLET - FIXED BASE - OUTSIDE AIR KIT OPTIONAL	
TOTAL PRICE		<b>4.615,00</b>
Cladding	ARDESIA	P06112240C 2.070,00
	BIANCO	P06112300C 2.070,00
	GIALLO ACCESO	P06112260C 2.070,00
	GRIGIO CERATO	P06112310C 2.070,00
	NERO OPACO	P06112160C 2.070,00
	ROSSO LAVA	P06112450C 2.070,00
Stove	E924 Hermetic without rotation system	PI9240020-0 2.545,00
<b>Accessories on request</b>		
	Combustion air kit for cladding for rear flue outlet and non-rotating stove base	P08060200C 180,00
	Flexible pipe Ø 7,5 cm for combustion air / hot air ducting	N08011005 19,00 per linear metre



All dimensions in cm.

# WOOD-BURNING STOVES

## E924-H Hermetic BCS



### GENERAL CHARACTERISTICS

- Heating: optional HSS heat storage system / Natural convection
- Cladding / Top surface: majolica / majolica
- Stove: airtight steel
- Firebox: Aluker®
- Smoke baffle plate / Brazier: Aluker® - Skamolex / cast iron
- Door / Handle: steel with self-cleaning ceramic glass resistant up to 750°C / steel and silicone
- Removable ash drawer: yes
- Standard flue outlet position: top
- Glass cleaning: continuous air flow
- Stove base: rotating or fixed
- Pre-heated primary and secondary air: electronically controlled
- Pre-set tertiary air: pre-heated
- Burn Control System: yes
- HSS Storage: optional (only available on top flue version)
- Outside air kit: standard
- Ash vacuum cleaner: optional
- Installation: room centre - wall - corner

### TECHNICAL DATA

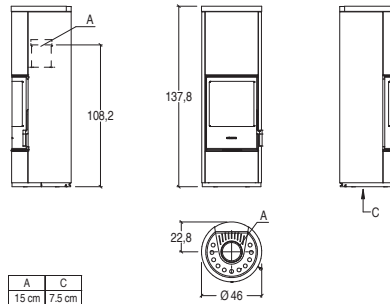
		E924-H BCS
• Model		SL301-03
• Type		120 - 210
• Room heating capacity (min - max)	m <sup>3</sup>	120 - 210
• Nominal heat output max	kW	7,2
• Nominal thermal efficiency	%	85,3
• Nominal consumption	kg/h	1,9
• Size of wood pieces	cm	27 - 30
• Firebox opening W x H	cm	22,5 x 34,5
• Weight	kg	151
• Weight incl. HSS	kg	221

Laboratory data obtained in the configuration with upper flue outlet and Piazzetta smoke duct, L 100 cm, for connection to the flue. The smoke duct is already included in the firebox package and is an integral part of the model.



		CODE	EURO
VERSION	- ONLY TOP FLUE OUTLET - FIXED BASE - OUTSIDE AIR KIT INCLUDED (WITH FLOOR LEVEL AIR INTAKE)		
TOTAL PRICE			<b>5.370,00</b>
Cladding	ARDESIA	P06118240C	1.770,00
	BIANCO	P06118300C	1.770,00
	GIALLO ACCESO	P06118260C	1.770,00
	GRIGIO CERATO	P06118310C	1.770,00
	NERO OPACO	P06118160C	1.770,00
	ROSSO LAVA	P06118450C	1.770,00
Stove	E924 Hermetic BCS without rotation system	PI9241020-0	3.600,00
<b>Accessories on request</b>			
	Heat Storage System (HSS) kit	P08060140C	710,00
	Flexible pipe Ø 7,5 cm for combustion air / hot air ducting	N08011005	19,00 per linear metre

		CODE	EURO
VERSION	- ONLY TOP FLUE OUTLET - ROTATION SYSTEM - OPTIONAL OUTSIDE AIR KIT (EXTRACTING AIR AT FLOOR LEVEL)		
TOTAL PRICE			<b>5.800,00</b>
Cladding	ARDESIA	P06118240C	1.770,00
	BIANCO	P06118300C	1.770,00
	GIALLO ACCESO	P06118260C	1.770,00
	GRIGIO CERATO	P06118310C	1.770,00
	NERO OPACO	P06118160C	1.770,00
	ROSSO LAVA	P06118450C	1.770,00
Stove	E924 Hermetic BCS with rotation system	PI9241020-1	4.030,00
<b>Accessories on request</b>			
	Heat Storage System (HSS) kit	P08060140C	710,00
	Combustion air kit for rotating stove base (for center room or wall mount units with duct for extracting outdoor air from at floor level)	P08060220C	85,00
	Flexible pipe Ø 7,5 cm for combustion air / hot air ducting	N08011005	19,00 per linear metre



All dimensions in cm.

# WOOD-BURNING STOVES

## E924-H Hermetic BCS



### GENERAL CHARACTERISTICS

- Heating: optional HSS heat storage system / Natural convection
- Cladding / Top surface: majolica / majolica
- Stove: airtight steel
- Firebox: Aluker®
- Smoke baffle plate / Brazier: Aluker® - Skamolex / cast iron
- Door / Handle: steel with self-cleaning ceramic glass resistant up to 750°C / steel and silicone
- Removable ash drawer: yes
- Standard flue outlet position: top or rear
- Glass cleaning: continuous air flow
- Stove base: rotating or fixed
- Pre-heated primary and secondary air: electronically controlled
- Pre-set tertiary air: pre-heated
- Burn Control System: yes
- HSS Storage: optional (only available on top flue version)
- Outside air kit: standard
- Ash vacuum cleaner: optional
- Installation: room centre - wall - corner

### TECHNICAL DATA

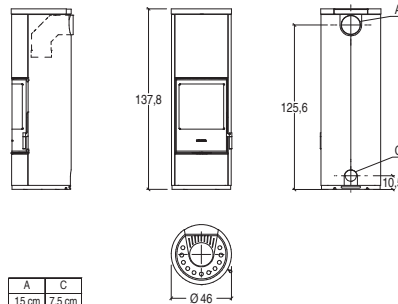
• Model		E924-H BCS
• Type		SL301-03
• Room heating capacity (min - max)	m <sup>3</sup>	120 - 210
• Nominal heat output max	kW	7,2
• Nominal thermal efficiency	%	85,3
• Nominal consumption	kg/h	1,9
• Size of wood pieces	cm	27 - 30
• Firebox opening W x H	cm	22,5 x 34,5
• Weight	kg	151
• Weight incl. HSS	kg	221

Laboratory data obtained in the configuration with upper flue outlet and Piazzetta smoke duct, L 100 cm, for connection to the flue. The smoke duct is already included in the firebox package and is an integral part of the model.



CODE EURO

VERSION	- TOP OR REAR FLUE OUTLET - FIXED BASE - OUTSIDE AIR KIT OPTIONAL	
TOTAL PRICE		<b>5.670,00</b>
Cladding	ARDESIA	P06112240C 2.070,00
	BIANCO	P06112300C 2.070,00
	GIALLO ACCESO	P06112260C 2.070,00
	GRIGIO CERATO	P06112310C 2.070,00
	NERO OPACO	P06112160C 2.070,00
	ROSSO LAVA	P06112450C 2.070,00
Stove	E924 Hermetic BCS without rotation system	PI9241020-0 3.600,00
<b>Accessories on request</b>		
	Combustion air kit for cladding for rear flue outlet and non-rotating stove base	P08060200C 180,00
	Flexible pipe Ø 7,5 cm for combustion air / hot air ducting	N08011005 19,00 per linear metre



All dimensions in cm.

# WOOD-BURNING STOVES

## E924 M Hermetic



### GENERAL CHARACTERISTICS

- Heating: optional HSS heat storage system / Natural convection
- Cladding / Top surface: majolica / majolica
- Stove: airtight steel
- Firebox: Aluker®
- Smoke baffle plate / Brazier: Aluker® - Skamolex / cast iron
- Door / Handle: steel with self-cleaning ceramic glass resistant up to 750°C / steel and silicone
- Removable ash drawer: yes
- Standard flue outlet position: top
- Humidifier: optional (only on top flue version)
- Glass cleaning: continuous air flow
- Stove base: rotating or fixed
- Pre-heated primary and secondary air: adjustable
- Pre-set tertiary air: pre-heated
- HSS Storage: optional (only available on top flue version)
- Outside air kit: standard
- Ash vacuum cleaner: optional
- Installation: room centre - wall - corner

### TECHNICAL DATA

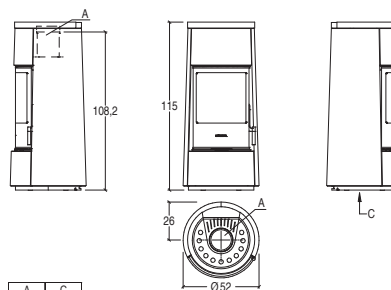
• Model		E924 M
• Type		SL300-03
• Room heating capacity (min - max)	m <sup>3</sup>	120 - 210
• Nominal heat output max	kW	7,2
• Nominal thermal efficiency	%	85,1
• Nominal consumption	kg/h	1,9
• Size of wood pieces	cm	27 - 30
• Firebox opening W x H	cm	22,5 x 34,5
• Weight	kg	147
• Weight incl. HSS	kg	177

Laboratory data obtained in the configuration with upper flue outlet and Piazzetta smoke duct, L 100 cm, for connection to the flue. The smoke duct is already included in the firebox package and is an integral part of the model.



		CODE	EURO
VERSION	- ONLY TOP FLUE OUTLET - FIXED BASE - OUTSIDE AIR KIT INCLUDED (WITH FLOOR LEVEL AIR INTAKE)		
TOTAL PRICE			<b>4.025,00</b>
Cladding	ARDESIA	P06121240C	1.480,00
	BIANCO	P06121300C	1.480,00
	GIALLO ACCESO	P06121260C	1.480,00
	GRIGIO CERATO	P06121310C	1.480,00
	NERO OPACO	P06121160C	1.480,00
	ROSSO LAVA	P06121450C	1.480,00
Stove	E924 Hermetic without rotation system	PI9240020-0	2.545,00
<b>Accessories on request</b>			
	Heat Storage System (HSS) kit	P08060130C	430,00
	Flexible pipe Ø 7,5 cm for combustion air / hot air ducting	N08011005	19,00 per linear metre

		CODE	EURO
VERSION	- ONLY TOP FLUE OUTLET - ROTATION SYSTEM - OPTIONAL OUTSIDE AIR KIT (EXTRACTING AIR AT FLOOR LEVEL)		
TOTAL PRICE			<b>4.455,00</b>
Cladding	ARDESIA	P06121240C	1.480,00
	BIANCO	P06121300C	1.480,00
	GIALLO ACCESO	P06121260C	1.480,00
	GRIGIO CERATO	P06121310C	1.480,00
	NERO OPACO	P06121160C	1.480,00
	ROSSO LAVA	P06121450C	1.480,00
Stove	E924 Hermetic with rotation system	PI9240020-1	2.975,00
<b>Accessories on request</b>			
	Heat Storage System (HSS) kit	P08060130C	430,00
	Combustion air kit for rotating stove base (for center room or wall mount units with with duct for extracting outdoor air from at floor level)	P08060220C	85,00
	Flexible pipe Ø 7,5 cm for combustion air / hot air ducting	N08011005	19,00 per linear metre



All dimensions in cm.

# WOOD-BURNING STOVES

## E924 M Hermetic



### GENERAL CHARACTERISTICS

- Heating: optional HSS heat storage system / Natural convection
- Cladding / Top surface: majolica / majolica
- Stove: airtight steel
- Firebox: Aluker®
- Smoke baffle plate / Brazier: Aluker® - Skamolex / cast iron
- Door / Handle: steel with self-cleaning ceramic glass resistant up to 750°C / steel and silicone
- Removable ash drawer: yes
- Standard flue outlet position: top or rear (feasible by choosing the appropriate cladding)
- Humidifier: optional (only on top flue version)
- Glass cleaning: continuous air flow
- Stove base: rotating or fixed
- Pre-heated primary and secondary air: adjustable
- Pre-set tertiary air: pre-heated
- HSS accumulation: optional
- Outside air kit: standard
- Ash vacuum cleaner: optional
- Installation: room centre - wall - corner

### TECHNICAL DATA

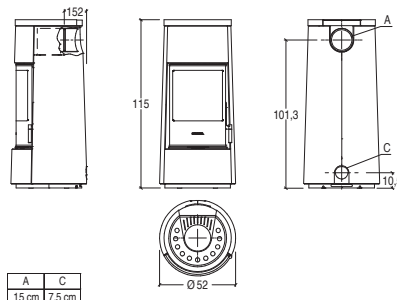
• Model		E924 M
• Type		SL300-03
• Room heating capacity (min - max)	m <sup>3</sup>	120 - 210
• Nominal heat output max	kW	7,2
• Nominal thermal efficiency	%	85,1
• Nominal consumption	kg/h	1,9
• Size of wood pieces	cm	27 - 30
• Firebox opening W x H	cm	22,5 x 34,5
• Weight	kg	147
• Weight incl. HSS	kg	177

Laboratory data obtained in the configuration with upper flue outlet and Piazzetta smoke duct, L 100 cm, for connection to the flue. The smoke duct is already included in the firebox package and is an integral part of the model.



CODE EURO

VERSION	- TOP OR REAR FLUE OUTLET - FIXED BASE - OUTSIDE AIR KIT OPTIONAL	
TOTAL PRICE		<b>4.260,00</b>
Cladding	ARDESIA	P06115240C 1.715,00
	BIANCO	P06115300C 1.715,00
	GIALLO ACCESO	P06115260C 1.715,00
	GRIGIO CERATO	P06115310C 1.715,00
	NERO OPACO	P06115160C 1.715,00
	ROSSO LAVA	P06115450C 1.715,00
Stove	E924 Hermetic without rotation system	PI9240020-0 2.545,00
<b>Accessories on request</b>		
	Combustion air kit for cladding for rear flue outlet and non-rotating stove base	P08060200C 180,00
	Rear flue kit	P08060180C 110,00
	Flexible pipe Ø 7,5 cm for combustion air / hot air ducting	N08011005 19,00 per linear metre



All dimensions in cm.

# WOOD-BURNING STOVES

## E924 M Hermetic BCS



### GENERAL CHARACTERISTICS

- Heating: optional HSS heat storage system / Natural convection
- Cladding / Top surface: majolica / majolica
- Stove: airtight steel
- Firebox: Aluker®
- Smoke baffle plate / Brazier: Aluker® - Skamolex / cast iron
- Door / Handle: steel with self-cleaning ceramic glass resistant up to 750°C / steel and silicone
- Removable ash drawer: yes
- Standard flue outlet position: top
- Humidifier: optional (only on top flue version)
- Glass cleaning: continuous air flow
- Stove base: rotating or fixed
- Pre-heated primary and secondary air: electronically controlled
- Pre-set tertiary air: pre-heated
- Burn Control System: yes
- HSS Storage: optional (only available on top flue version)
- Outside air kit: standard
- Ash vacuum cleaner: optional
- Installation: room centre - wall - corner

### TECHNICAL DATA

		E924 M BCS
• Model		SL301-03
• Type		120 - 210
• Room heating capacity (min - max)	m <sup>3</sup>	7,2
• Nominal heat output max	kW	85,3
• Nominal thermal efficiency	%	1,9
• Nominal consumption	kg/h	27 - 30
• Size of wood pieces	cm	22,5 x 34,5
• Firebox opening W x H	cm	147
• Weight	kg	177
• Weight incl. HSS	kg	

Laboratory data obtained in the configuration with upper flue outlet and Piazzetta smoke duct, L 100 cm, for connection to the flue. The smoke duct is already included in the firebox package and is an integral part of the model.



		CODE	EURO
VERSION	- ONLY TOP FLUE OUTLET - FIXED BASE - OUTSIDE AIR KIT INCLUDED (WITH FLOOR LEVEL AIR INTAKE)		
TOTAL PRICE			<b>5.080,00</b>
Cladding	ARDESIA	P06121240C	1.480,00
	BIANCO	P06121300C	1.480,00
	GIALLO ACCESO	P06121260C	1.480,00
	GRIGIO CERATO	P06121310C	1.480,00
	NERO OPACO	P06121160C	1.480,00
	ROSSO LAVA	P06121450C	1.480,00
Stove	E924 Hermetic BCS without rotation system	PI9241020-0	3.600,00

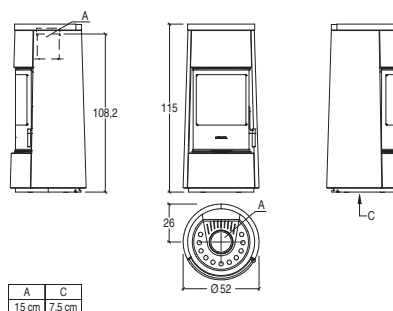
#### Accessories on request

Heat Storage System (HSS) kit	P08060130C	430,00
Flexible pipe Ø 7,5 cm for combustion air / hot air ducting	N08011005	19,00 per linear metre

		CODE	EURO
VERSION	- ONLY TOP FLUE OUTLET - ROTATION SYSTEM - OPTIONAL OUTSIDE AIR KIT (EXTRACTING AIR AT FLOOR LEVEL)		
TOTAL PRICE			<b>5.510,00</b>
Cladding	ARDESIA	P06121240C	1.480,00
	BIANCO	P06121300C	1.480,00
	GIALLO ACCESO	P06121260C	1.480,00
	GRIGIO CERATO	P06121310C	1.480,00
	NERO OPACO	P06121160C	1.480,00
	ROSSO LAVA	P06121450C	1.480,00
Stove	E924 Hermetic BCS with rotation system	PI9241020-1	4.030,00

#### Accessories on request

Heat Storage System (HSS) kit	P08060130C	430,00
Combustion air kit for rotating stove base (for center room or wall mount units with duct for extracting outdoor air from at floor level)	P08060220C	85,00
Flexible pipe Ø 7,5 cm for combustion air / hot air ducting	N08011005	19,00 per linear metre



All dimensions in cm.

# WOOD-BURNING STOVES

## E924 M Hermetic BCS



### GENERAL CHARACTERISTICS

- Heating: optional HSS heat storage system / Natural convection
- Cladding / Top surface: majolica / majolica
- Stove: airtight steel
- Firebox: Aluker®
- Smoke baffle plate / Brazier: Aluker® - Skamolex / cast iron
- Door / Handle: steel with self-cleaning ceramic glass resistant up to 750°C / steel and silicone
- Removable ash drawer: yes
- Standard flue outlet position: top or rear
- Humidifier: optional (only on top flue version)
- Glass cleaning: continuous air flow
- Stove base: rotating or fixed
- Pre-heated primary and secondary air: electronically controlled
- Pre-set tertiary air: pre-heated
- Burn Control System: yes
- HSS Storage: optional (only available on top flue version)
- Outside air kit: standard
- Ash vacuum cleaner: optional
- Installation: room centre - wall - corner

### TECHNICAL DATA

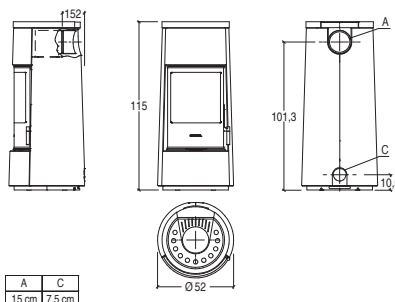
		E924 M BCS
• Model		SL301-03
• Type		120 - 210
• Room heating capacity (min - max)	m <sup>3</sup>	7,2
• Nominal heat output max	kW	85,3
• Nominal thermal efficiency	%	1,9
• Nominal consumption	kg/h	27 - 30
• Size of wood pieces	cm	22,5 x 34,5
• Firebox opening W x H	cm	147
• Weight	kg	177
• Weight incl. HSS	kg	

Laboratory data obtained in the configuration with upper flue outlet and Piazzetta smoke duct, L 100 cm, for connection to the flue. The smoke duct is already included in the firebox package and is an integral part of the model.



CODE EURO

VERSION	- TOP OR REAR FLUE OUTLET - FIXED BASE - OUTSIDE AIR KIT OPTIONAL	
TOTAL PRICE		<b>5.315,00</b>
Cladding	ARDESIA	P06115240C 1.715,00
	BIANCO	P06115300C 1.715,00
	GIALLO ACCESO	P06115260C 1.715,00
	GRIGIO CERATO	P06115310C 1.715,00
	NERO OPACO	P06115160C 1.715,00
	ROSSO LAVA	P06115450C 1.715,00
Stove	E924 Hermetic BCS without rotation system	PI9241020-0 3.600,00
<b>Accessories on request</b>		
	Combustion air kit for cladding for rear flue outlet and non-rotating stove base	P08060200C 180,00
	Rear flue kit	P08060180C 110,00
	Flexible pipe Ø 7,5 cm for combustion air / hot air ducting	N08011005 19,00 per linear metre



All dimensions in cm.



# WOOD-BURNING STOVES

## E928



### GENERAL CHARACTERISTICS

- Heating: Multifuoco System® with 4 speed levels, optional. Ductable hot air / HSS heat storage system / Natural convection
- Front ventilation: directional air vent
- Cladding / Top surface: majolica / majolica
- Stove: steel
- Firebox: Aluker®
- Smoke baffle plate / Brazier: Aluker® / cast iron
- Door / Handle: cast iron with self-cleaning ceramic glass resistant up to 750°C / steel and silicone
- Removable ash drawer: yes
- Standard flue position: top or rear (anti-condensation installation, standard on top flue version)
- Humidifier: stainless steel
- Glass cleaning: continuous air flow
- Primary and secondary air: adjustable
- Pre-set tertiary air: pre-heated
- HSS Storage: optional (only available on top flue version)
- Combustion air kit: optional
- Ash vacuum cleaner: optional
- Installation: wall - corner

### TECHNICAL DATA

• Model		E928
• Type		SL31-01
• Room heating capacity (min - max)	m <sup>3</sup>	185 - 315
• Nominal heat output (min - max)	kW	5,5 - 11,0
• Nominal thermal efficiency (min - max)	%	83,1 - 86,0
• Nominal consumption (min - max)	kg/h	1,5 - 2,9
• Size of wood pieces	cm	37 - 40
• Firebox opening W x H	cm	33 x 39,5
• Weight	kg	240
• Weight incl. HSS	kg	284



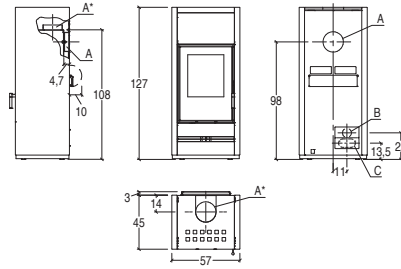
CODE EURO

TOTAL PRICE			<b>4.430,00</b>
Cladding	BIANCO	P06151300C	1.520,00
	NERO OPACO	P06151160C	1.520,00
	ROSSO LAVA	P06151450C	1.520,00
	TERRA COTTA	P06151090C	1.520,00

Stove	E928	P07928000C	2.910,00
-------	------	------------	----------

#### Accessories on request

Multifuoco System® single	P08020410C	725,00
Multifuoco System Plus single	P08020500C	895,00
Heat Storage System (HSS) kit	P08061600C	380,00
Combustion air kit	P08061410C	185,00
Flexible pipe Ø 12 cm for combustion air	P08010360	34,00 per pack (3 metres)



All dimensions in cm.

# WOOD-BURNING STOVES

## E928 Hermetic BCS



### GENERAL CHARACTERISTICS

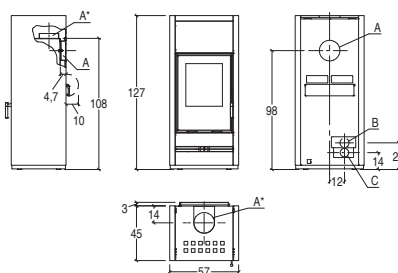
- Heating: Multifuoco System Plus with 4 speed levels, optional. Ductable hot air / HSS heat storage system / Natural convection
- Front ventilation: directional air vent
- Cladding / Top surface: majolica / majolica
- Stove: airtight steel
- Firebox: Aluker®
- Smoke baffle plate / Brazier: Aluker® / cast iron
- Door / Handle: cast iron with self-cleaning ceramic glass resistant up to 750°C / steel and silicone
- Removable ash drawer: yes
- Standard flue position: top or rear (anti-condensation installation, standard on top flue version)
- Humidifier: stainless steel
- Glass cleaning: continuous air flow
- Pre-heated primary and secondary air: electronically controlled
- Pre-set tertiary air: pre-heated
- Burn Control System: yes
- HSS Storage: optional (only available on top flue version)
- Ash vacuum cleaner: optional
- Installation: wall - corner

### TECHNICAL DATA

• Model		E928 BCS
• Type		SL32-01
• Room heating capacity (min - max)	m <sup>3</sup>	185 - 320
• Nominal heat output (min - max)	kW	5,5 - 11,1
• Nominal thermal efficiency (min - max)	%	84,8 - 86,6
• Nominal consumption (min - max)	kg/h	1,4 - 2,9
• Size of wood pieces	cm	37 - 40
• Firebox opening W x H	cm	33 x 39,5
• Weight	kg	245
• Weight incl. HSS	kg	289



		CODE	EURO
<b>TOTAL PRICE</b>			<b>5.475,00</b>
Cladding	BIANCO	P06151300C	1.520,00
	NERO OPACO	P06151160C	1.520,00
	ROSSO LAVA	P06151450C	1.520,00
	TERRA COTTA	P06151090C	1.520,00
Stove	E928 Hermetic Burn Control System	P07928100C	3.955,00
<b>Accessories on request</b>			
	Multifuoco System Plus single	P08020700C	455,00
	Heat Storage System (HSS) kit	P08061600C	380,00
	Flexible pipe Ø 7,5 cm for combustion air / hot air ducting	N08011005	19,00 per linear metre



A	B	C
15 cm	7,5 cm	7,5 cm

All dimensions in cm.

# WOOD-BURNING STOVES

## E928 A



### GENERAL CHARACTERISTICS

- Heating: Multifuoco System® with 4 speed levels, optional. Ductable hot air / Natural convection
- Front ventilation: directional air vent
- Cladding / Top surface: majolica / majolica
- Stove: steel
- Firebox: Aluker®
- Smoke baffle plate / Brazier: Aluker® / cast iron
- Door / Handle: cast iron with self-cleaning ceramic glass resistant up to 750°C / steel and silicone
- Removable ash drawer: yes
- Standard flue position: top or rear (anti-condensation installation, standard on top flue version)
- Humidifier: stainless steel
- Glass cleaning: continuous air flow
- Primary and secondary air: adjustable
- Pre-set tertiary air: pre-heated
- Combustion air kit: optional
- Ash vacuum cleaner: optional
- Installation: wall - corner

### TECHNICAL DATA

• Model		E928 A
• Type		SL31-01
• Room heating capacity (min - max)	m <sup>3</sup>	185 - 315
• Nominal heat output (min - max)	kW	5,5 - 11,0
• Nominal thermal efficiency (min - max)	%	83,1 - 86,0
• Nominal consumption (min - max)	kg/h	1,5 - 2,9
• Size of wood pieces	cm	37 - 40
• Firebox opening W x H	cm	33 x 39,5
• Weight	kg	255



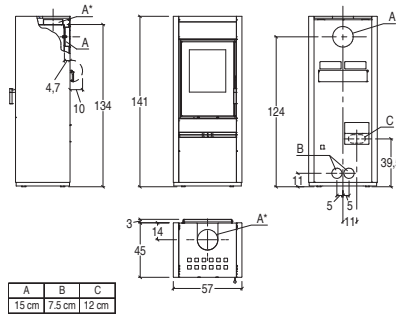
CODE EURO

TOTAL PRICE		<b>4.590,00</b>	
Cladding	BIANCO	P06154300C	1.680,00
	NERO OPACO	P06154160C	1.680,00
	ROSSO LAVA	P06154450C	1.680,00
	TERRA COTTA	P06154090C	1.680,00

Stove	E928	P07928000C	2.910,00
-------	------	------------	----------

#### Accessories on request

Multifuoco System® single	P08020410C	725,00
Multifuoco System Plus single	P08020500C	895,00
Combustion air kit	P08061410C	185,00
Flexible pipe Ø 12 cm for combustion air	P08010360	34,00 per pack (3 metres)



All dimensions in cm.

# WOOD-BURNING STOVES

## E928 A Hermetic BCS



### GENERAL CHARACTERISTICS

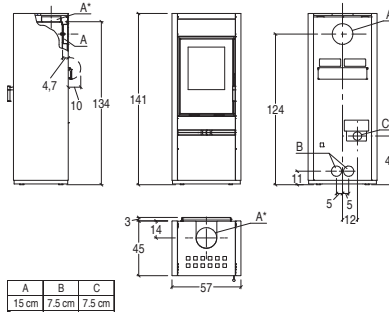
- Heating: Multifuoco System Plus with 4 speed levels, optional. Ductable hot air / Natural convection
- Front ventilation: directional air vent
- Cladding / Top surface: majolica / majolica
- Stove: airtight steel
- Firebox: Aluker®
- Smoke baffle plate / Brazier: Aluker® / cast iron
- Door / Handle: cast iron with self-cleaning ceramic glass resistant up to 750°C / steel and silicone
- Removable ash drawer: yes
- Standard flue position: top or rear (anti-condensation installation, standard on top flue version)
- Humidifier: stainless steel
- Glass cleaning: continuous air flow
- Pre-heated primary and secondary air: electronically controlled
- Pre-set tertiary air: pre-heated
- Burn Control System: yes
- Ash vacuum cleaner: optional
- Installation: wall - corner

### TECHNICAL DATA

• Model		E928 A BCS
• Type		SL32-01
• Room heating capacity (min - max)	m <sup>3</sup>	185 - 320
• Nominal heat output (min - max)	kW	5,5 - 11,1
• Nominal thermal efficiency (min - max)	%	84,8 - 86,6
• Nominal consumption (min - max)	kg/h	1,4 - 2,9
• Size of wood pieces	cm	37 - 40
• Firebox opening W x H	cm	33 x 39,5
• Weight	kg	260



		CODE	EURO
<b>TOTAL PRICE</b>			<b>5.635,00</b>
Cladding	BIANCO	P06154300C	1.680,00
	NERO OPACO	P06154160C	1.680,00
	ROSSO LAVA	P06154450C	1.680,00
	TERRA COTTA	P06154090C	1.680,00
Stove	E928 Hermetic Burn Control System	P07928100C	3.955,00
<b>Accessories on request</b>			
	Multifuoco System Plus single	P08020700C	455,00
	Flexible pipe Ø 7,5 cm for combustion air / hot air ducting	N08011005	19,00 per linear metre



All dimensions in cm.

# WOOD-BURNING STOVES

## E928 C



### GENERAL CHARACTERISTICS

- Heating: Multifuoco System® with 4 speed levels, optional. Ductable hot air / HSS heat storage system / Natural convection
- Front air ventilation: directional air vent (only on ceramic versions with opening)
- Cladding / Top surface: majolica / majolica
- Stove: steel
- Firebox: Aluker®
- Smoke baffle plate / Brazier: Aluker® / cast iron
- Door / Handle: cast iron with self-cleaning ceramic glass resistant up to 750°C / steel and silicone
- Removable ash drawer: yes
- Standard flue position: top or rear (anti-condensation installation, standard on top flue version)
- Humidifier: stainless steel
- Glass cleaning: continuous air flow
- Primary and secondary air: adjustable
- Pre-set tertiary air: pre-heated
- HSS Storage: optional (only available on top flue version)
- Combustion air kit: optional
- Ash vacuum cleaner: optional
- Installation: wall - corner

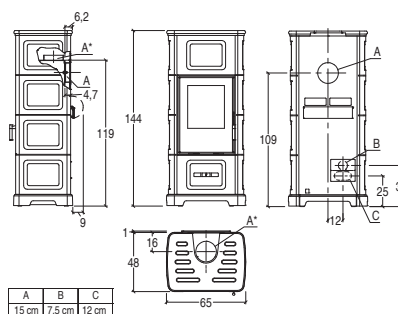
### TECHNICAL DATA

• Model		E928 C
• Type		SL31-01
• Room heating capacity (min - max)	m <sup>3</sup>	185 - 315
• Nominal heat output (min - max)	kW	5,5 - 11,0
• Nominal thermal efficiency (min - max)	%	83,1 - 86,0
• Nominal consumption (min - max)	kg/h	1,5 - 2,9
• Size of wood pieces	cm	37 - 40
• Firebox opening W x H	cm	33 x 39,5
• Weight	kg	260
• Weight incl. HSS	kg	313



VERSION		- WITH FRONT AIR VENT	CODE	EURO
TOTAL PRICE				<b>4.610,00</b>
Cladding	BIANCO		P06169300C	1.700,00
	BIANCO GRIGIO		P06169410C	1.700,00
	CANAPA		P06169350C	1.700,00
	KAKI		P06169990C	1.700,00
	ROSSO LAVA		P06169450C	1.700,00
	VERDE MIRTO		P06169250C	1.700,00
Stove	E928 C		P07928200C	2.910,00
<b>Accessories on request</b>				
Multifuoco System® single			P08020410C	725,00
Multifuoco System Plus single			P08020500C	895,00
Heat Storage System (HSS) kit			P08061630C	550,00
Combustion air kit			P08061410C	185,00
Flexible pipe Ø 12 cm for combustion air			P08010360	34,00 per pack (3 metres)

VERSION		- WITHOUT FRONT AIR VENT	CODE	EURO
TOTAL PRICE				<b>4.610,00</b>
Cladding	BIANCO		P06164300C	1.700,00
	BIANCO GRIGIO		P06164410C	1.700,00
	CANAPA		P06164350C	1.700,00
	KAKI		P06164990C	1.700,00
	ROSSO LAVA		P06164450C	1.700,00
	VERDE MIRTO		P06164250C	1.700,00
Stove	E928 C		P07928200C	2.910,00
<b>Accessories on request</b>				
Multifuoco System® single			P08020410C	725,00
Multifuoco System Plus single			P08020500C	895,00
Rear air vent kit			P08061390C	235,00
Heat Storage System (HSS) kit			P08061630C	550,00
Combustion air kit			P08061410C	185,00
Flexible pipe Ø 12 cm for combustion air			P08010360	34,00 per pack (3 metres)



All dimensions in cm.

# WOOD-BURNING STOVES

## E928 C Hermetic BCS



### GENERAL CHARACTERISTICS

- Heating: Multifuoco System Plus with 4 speed levels, optional. Ductable hot air / HSS heat storage system / Natural convection
- Front air ventilation: directional air vent (only on ceramic versions with opening)
- Cladding / Top surface: majolica / majolica
- Stove: airtight steel
- Firebox: Aluker®
- Smoke baffle plate / Brazier: Aluker® / cast iron
- Door / Handle: cast iron with self-cleaning ceramic glass resistant up to 750°C / steel and silicone
- Removable ash drawer: yes
- Standard flue position: top or rear (anti-condensation installation, standard on top flue version)
- Humidifier: stainless steel
- Glass cleaning: continuous air flow
- Pre-heated primary and secondary air: electronically controlled
- Pre-set tertiary air: pre-heated
- Burn Control System: yes
- HSS Storage: optional (only available on top flue version)
- Ash vacuum cleaner: optional
- Installation: wall - corner

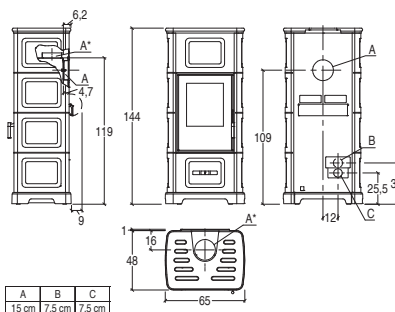
### TECHNICAL DATA

• Model		E928 C BCS
• Type		SL32-01
• Room heating capacity (min - max)	m <sup>3</sup>	185 - 320
• Nominal heat output (min - max)	kW	5,5 - 11,1
• Nominal thermal efficiency (min - max)	%	84,8 - 86,6
• Nominal consumption (min - max)	kg/h	1,4 - 2,9
• Size of wood pieces	cm	37 - 40
• Firebox opening W x H	cm	33 x 39,5
• Weight	kg	265
• Weight incl. HSS	kg	318



VERSION	- WITH FRONT AIR VENT	CODE	EURO
<b>TOTAL PRICE</b>			<b>5.655,00</b>
Cladding	BIANCO	P06169300C	1.700,00
	BIANCO GRIGIO	P06169410C	1.700,00
	CANAPA	P06169350C	1.700,00
	KAKI	P06169990C	1.700,00
	ROSSO LAVA	P06169450C	1.700,00
VERDE MIRTO	P06169250C	1.700,00	
Stove	E928 C Hermetic Burn Control System	P07928300C	3.955,00
<b>Accessories on request</b>			
Multifuoco System Plus single		P08020700C	455,00
Heat Storage System (HSS) kit		P08061630C	550,00
Flexible pipe Ø 7,5 cm for combustion air / hot air ducting		N08011005	19,00 per linear metre

VERSION	- WITHOUT FRONT AIR VENT	CODE	EURO
<b>TOTAL PRICE</b>			<b>5.655,00</b>
Cladding	BIANCO	P06164300C	1.700,00
	BIANCO GRIGIO	P06164410C	1.700,00
	CANAPA	P06164350C	1.700,00
	KAKI	P06164990C	1.700,00
	ROSSO LAVA	P06164450C	1.700,00
VERDE MIRTO	P06164250C	1.700,00	
Stove	E928 C Hermetic Burn Control System	P07928300C	3.955,00
<b>Accessories on request</b>			
Multifuoco System Plus single		P08020700C	455,00
Rear air vent kit		P08061390C	235,00
Heat Storage System (HSS) kit		P08061630C	550,00
Flexible pipe Ø 7,5 cm for combustion air / hot air ducting		N08011005	19,00 per linear metre



All dimensions in cm.

# WOOD-BURNING STOVES

## E928 C-H



### GENERAL CHARACTERISTICS

- Heating: Multifuoco System® with 4 speed levels, optional. Ductable hot air / HSS heat storage system / Natural convection
- Front air ventilation: directional air vent (only on ceramic versions with opening)
- Cladding / Top surface: majolica / majolica
- Stove: steel
- Firebox: Aluker®
- Smoke baffle plate / Brazier: Aluker® / cast iron
- Door / Handle: cast iron with self-cleaning ceramic glass resistant up to 750°C / steel and silicone
- Removable ash drawer: yes
- Standard flue position: top or rear (anti-condensation installation, standard on top flue version)
- Humidifier: stainless steel
- Glass cleaning: continuous air flow
- Primary and secondary air: adjustable
- Pre-set tertiary air: pre-heated
- HSS Storage: optional (only available on top flue version)
- Combustion air kit: optional
- Ash vacuum cleaner: optional
- Installation: wall - corner

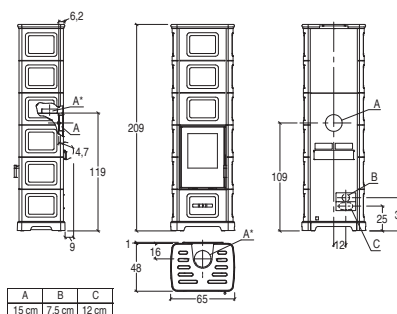
### TECHNICAL DATA

• Model		E928 C-H
• Type		SL31-01
• Room heating capacity (min - max)	m³	185 - 315
• Nominal heat output (min - max)	kW	5,5 - 11,0
• Nominal thermal efficiency (min - max)	%	83,1 - 86,0
• Nominal consumption (min - max)	kg/h	1,5 - 2,9
• Size of wood pieces	cm	37 - 40
• Firebox opening W x H	cm	33 x 39,5
• Weight	kg	310
• Weight incl. HSS	kg	571



VERSION	- WITH FRONT AIR VENT	CODE	EURO
<b>TOTAL PRICE</b>			<b>5.335,00</b>
Cladding	BIANCO	P06161300C	2.425,00
	BIANCO GRIGIO	P06161410C	2.425,00
	CANAPA	P06161350C	2.425,00
	KAKI	P06161990C	2.425,00
	ROSSO LAVA	P06161450C	2.425,00
	VERDE MIRTO	P06161250C	2.425,00
Stove	E928 C	P07928200C	2.910,00
<b>Accessories on request</b>			
	Multifuoco System® single	P08020410C	725,00
	Multifuoco System Plus single	P08020500C	895,00
	Heat Storage System (HSS) kit	P08061650C	2.385,00
	Combustion air kit	P08061410C	185,00
	Flexible pipe Ø 12 cm for combustion air	P08010360	34,00 per pack (3 metres)

VERSION	- WITHOUT FRONT AIR VENT	CODE	EURO
<b>TOTAL PRICE</b>			<b>5.335,00</b>
Cladding	BIANCO	P06156300C	2.425,00
	BIANCO GRIGIO	P06156410C	2.425,00
	CANAPA	P06156350C	2.425,00
	KAKI	P06156990C	2.425,00
	ROSSO LAVA	P06156450C	2.425,00
	VERDE MIRTO	P06156250C	2.425,00
Stove	E928 C	P07928200C	2.910,00
<b>Accessories on request</b>			
	Multifuoco System® single	P08020410C	725,00
	Multifuoco System Plus single	P08020500C	895,00
	Rear air vent kit	P08061390C	235,00
	Heat Storage System (HSS) kit	P08061650C	2.385,00
	Combustion air kit	P08061410C	185,00
	Flexible pipe Ø 12 cm for combustion air	P08010360	34,00 per pack (3 metres)



All dimensions in cm.



# WOOD-BURNING STOVES

## E928 C-H Hermetic BCS



### GENERAL CHARACTERISTICS

- Heating: Multifuoco System Plus with 4 speed levels, optional. Ductable hot air / HSS heat storage system / Natural convection
- Front air ventilation: directional air vent (only on ceramic versions with opening)
- Cladding / Top surface: majolica / majolica
- Stove: airtight steel
- Firebox: Aluker®
- Smoke baffle plate / Brazier: Aluker® / cast iron
- Door / Handle: cast iron with self-cleaning ceramic glass resistant up to 750°C / steel and silicone
- Removable ash drawer: yes
- Standard flue position: top or rear (anti-condensation installation, standard on top flue version)
- Humidifier: stainless steel
- Glass cleaning: continuous air flow
- Pre-heated primary and secondary air: electronically controlled
- Pre-set tertiary air: pre-heated
- Burn Control System: yes
- HSS Storage: optional (only available on top flue version)
- Ash vacuum cleaner: optional
- Installation: wall - corner

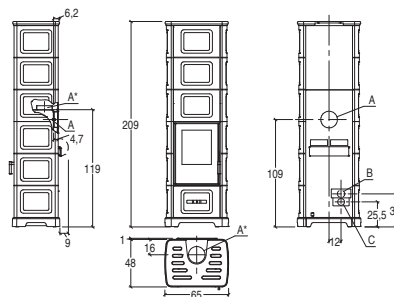
### TECHNICAL DATA

• Model		E928 C-H BCS
• Type		SL32-01
• Room heating capacity (min - max)	m <sup>3</sup>	185 - 320
• Nominal heat output (min - max)	kW	5,5 - 11,1
• Nominal thermal efficiency (min - max)	%	84,8 - 86,6
• Nominal consumption (min - max)	kg/h	1,4 - 2,9
• Size of wood pieces	cm	37 - 40
• Firebox opening W x H	cm	33 x 39,5
• Weight	kg	315
• Weight incl. HSS	kg	576



VERSION	- WITH FRONT AIR VENT	CODE	EURO
TOTAL PRICE			<b>6.380,00</b>
Cladding	BIANCO	P06161300C	2.425,00
	BIANCO GRIGIO	P06161410C	2.425,00
	CANAPA	P06161350C	2.425,00
	KAKI	P06161990C	2.425,00
	ROSSO LAVA	P06161450C	2.425,00
	VERDE MIRTO	P06161250C	2.425,00
Stove	E928 C Hermetic Burn Control System	P07928300C	3.955,00
<b>Accessories on request</b>			
	Multifuoco System Plus single	P08020700C	455,00
	Heat Storage System (HSS) kit	P08061650C	2.385,00
	Flexible pipe Ø 7,5 cm for combustion air / hot air ducting	N08011005	19,00 per linear metre

VERSION	- WITHOUT FRONT AIR VENT	CODE	EURO
TOTAL PRICE			<b>6.380,00</b>
Cladding	BIANCO	P06156300C	2.425,00
	BIANCO GRIGIO	P06156410C	2.425,00
	CANAPA	P06156350C	2.425,00
	KAKI	P06156990C	2.425,00
	ROSSO LAVA	P06156450C	2.425,00
	VERDE MIRTO	P06156250C	2.425,00
Stove	E928 C Hermetic Burn Control System	P07928300C	3.955,00
<b>Accessories on request</b>			
	Multifuoco System Plus single	P08020700C	455,00
	Rear air vent kit	P08061390C	235,00
	Heat Storage System (HSS) kit	P08061650C	2.385,00
	Flexible pipe Ø 7,5 cm for combustion air / hot air ducting	N08011005	19,00 per linear metre



All dimensions in cm.

# WOOD-BURNING STOVES

## E928 C-M



### GENERAL CHARACTERISTICS

- Heating: Multifuoco System® with 4 speed levels, optional. Ductable hot air / HSS heat storage system / Natural convection
- Front air ventilation: directional air vent (only on ceramic versions with opening)
- Cladding / Top surface: majolica / majolica
- Stove: steel
- Firebox: Aluker®
- Smoke baffle plate / Brazier: Aluker® / cast iron
- Door / Handle: cast iron with self-cleaning ceramic glass resistant up to 750°C / steel and silicone
- Removable ash drawer: yes
- Standard flue position: top or rear (anti-condensation installation, standard on top flue version)
- Humidifier: stainless steel
- Glass cleaning: continuous air flow
- Primary and secondary air: adjustable
- Pre-set tertiary air: pre-heated
- HSS Storage: optional (only available on top flue version)
- Combustion air kit: optional
- Ash vacuum cleaner: optional
- Installation: wall - corner

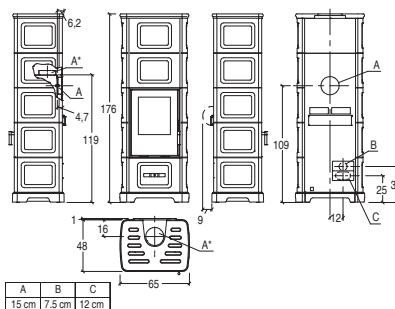
### TECHNICAL DATA

• Model		E928 C-M
• Type		SL31-01
• Room heating capacity (min - max)	m <sup>3</sup>	185 - 315
• Nominal heat output (min - max)	kW	5,5 - 11,0
• Nominal thermal efficiency (min - max)	%	83,1 - 86,0
• Nominal consumption (min - max)	kg/h	1,5 - 2,9
• Size of wood pieces	cm	37 - 40
• Firebox opening W x H	cm	33 x 39,5
• Weight	kg	285
• Weight incl. HSS	kg	456



VERSION		- WITH FRONT AIR VENT	CODE	EURO
TOTAL PRICE				<b>5.030,00</b>
Cladding	BIANCO		P06165300C	2.120,00
	BIANCO GRIGIO		P06165410C	2.120,00
	CANAPA		P06165350C	2.120,00
	KAKI		P06165990C	2.120,00
	ROSSO LAVA		P06165450C	2.120,00
	VERDE MIRTO		P06165250C	2.120,00
Stove	E928 C		P07928200C	2.910,00
<b>Accessories on request</b>				
Multifuoco System® single			P08020410C	725,00
Multifuoco System Plus single			P08020500C	895,00
Heat Storage System (HSS) kit			P08061640C	1.430,00
Combustion air kit			P08061410C	185,00
Flexible pipe Ø 12 cm for combustion air			P08010360	34,00 per pack (3 metres)

VERSION		- WITHOUT FRONT AIR VENT	CODE	EURO
TOTAL PRICE				<b>5.030,00</b>
Cladding	BIANCO		P06160300C	2.120,00
	BIANCO GRIGIO		P06160410C	2.120,00
	CANAPA		P06160350C	2.120,00
	KAKI		P06160990C	2.120,00
	ROSSO LAVA		P06160450C	2.120,00
	VERDE MIRTO		P06160250C	2.120,00
Stove	E928 C		P07928200C	2.910,00
<b>Accessories on request</b>				
Multifuoco System® single			P08020410C	725,00
Multifuoco System Plus single			P08020500C	895,00
Rear air vent kit			P08061390C	235,00
Heat Storage System (HSS) kit			P08061640C	1.430,00
Combustion air kit			P08061410C	185,00
Flexible pipe Ø 12 cm for combustion air			P08010360	34,00 per pack (3 metres)



All dimensions in cm.

# WOOD-BURNING STOVES

## E928 C-M Hermetic BCS



### GENERAL CHARACTERISTICS

- Heating: Multifuoco System Plus with 4 speed levels, optional. Ductable hot air / HSS heat storage system / Natural convection
- Front air ventilation: directional air vent (only on ceramic versions with opening)
- Cladding / Top surface: majolica / majolica
- Stove: airtight steel
- Firebox: Aluker®
- Smoke baffle plate / Brazier: Aluker® / cast iron
- Door / Handle: cast iron with self-cleaning ceramic glass resistant up to 750°C / steel and silicone
- Removable ash drawer: yes
- Standard flue position: top or rear (anti-condensation installation, standard on top flue version)
- Humidifier: stainless steel
- Glass cleaning: continuous air flow
- Pre-heated primary and secondary air: electronically controlled
- Pre-set tertiary air: pre-heated
- Burn Control System: yes
- HSS Storage: optional (only available on top flue version)
- Ash vacuum cleaner: optional
- Installation: wall - corner

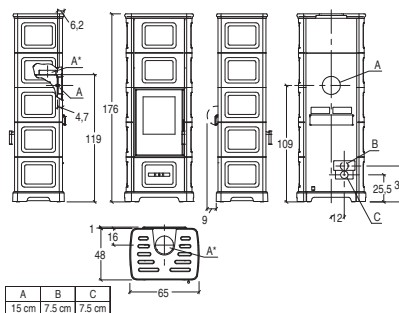
### TECHNICAL DATA

• Model		E928 C-M BCS
• Type		SL32-01
• Room heating capacity (min - max)	m <sup>3</sup>	185 - 320
• Nominal heat output (min - max)	kW	5,5 - 11,1
• Nominal thermal efficiency (min - max)	%	84,8 - 86,6
• Nominal consumption (min - max)	kg/h	1,4 - 2,9
• Size of wood pieces	cm	37 - 40
• Firebox opening W x H	cm	33 x 39,5
• Weight	kg	290
• Weight incl. HSS	kg	456



VERSION	- WITH FRONT AIR VENT	CODE	EURO
<b>TOTAL PRICE</b>			<b>6.075,00</b>
Cladding	BIANCO	P06165300C	2.120,00
	BIANCO GRIGIO	P06165410C	2.120,00
	CANAPA	P06165350C	2.120,00
	KAKI	P06165990C	2.120,00
	ROSSO LAVA	P06165450C	2.120,00
	VERDE MIRTO	P06165250C	2.120,00
Stove	E928 C Hermetic Burn Control System	P07928300C	3.955,00
<b>Accessories on request</b>			
	Multifuoco System Plus single	P08020700C	455,00
	Heat Storage System (HSS) kit	P08061640C	1.430,00
	Flexible pipe Ø 7,5 cm for combustion air / hot air ducting	N08011005	19,00 per linear metre

VERSION	- WITHOUT FRONT AIR VENT	CODE	EURO
<b>TOTAL PRICE</b>			<b>6.075,00</b>
Cladding	BIANCO	P06160300C	2.120,00
	BIANCO GRIGIO	P06160410C	2.120,00
	CANAPA	P06160350C	2.120,00
	KAKI	P06160990C	2.120,00
	ROSSO LAVA	P06160450C	2.120,00
	VERDE MIRTO	P06160250C	2.120,00
Stove	E928 C Hermetic Burn Control System	P07928300C	3.955,00
<b>Accessories on request</b>			
	Multifuoco System Plus single	P08020700C	455,00
	Heat Storage System (HSS) kit	P08061640C	1.430,00
	Flexible pipe Ø 7,5 cm for combustion air / hot air ducting	N08011005	19,00 per linear metre



All dimensions in cm.

# WOOD-BURNING STOVES

## E928-H



### GENERAL CHARACTERISTICS

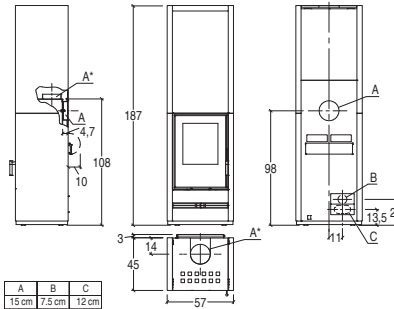
- Heating: Multifuoco System® with 4 speed levels, optional. Ductable hot air / HSS heat storage system / Natural convection
- Front ventilation: directional air vent
- Cladding / Top surface: majolica / majolica
- Stove: steel
- Firebox: Aluker®
- Smoke baffle plate / Brazier: Aluker® / cast iron
- Door / Handle: cast iron with self-cleaning ceramic glass resistant up to 750°C / steel and silicone
- Removable ash drawer: yes
- Standard flue position: top or rear (anti-condensation installation, standard on top flue version)
- Humidifier: stainless steel
- Glass cleaning: continuous air flow
- Primary and secondary air: adjustable
- Pre-set tertiary air: pre-heated
- HSS Storage: optional (only available on top flue version)
- Combustion air kit: optional
- Ash vacuum cleaner: optional
- Installation: wall - corner

### TECHNICAL DATA

• Model		E928-H
• Type		SL31-01
• Room heating capacity (min - max)	m <sup>3</sup>	185 - 315
• Nominal heat output (min - max)	kW	5,5 - 11,0
• Nominal thermal efficiency (min - max)	%	83,1 - 86,0
• Nominal consumption (min - max)	kg/h	1,5 - 2,9
• Size of wood pieces	cm	37 - 40
• Firebox opening W x H	cm	33 x 39,5
• Weight	kg	280
• Weight incl. HSS	kg	524



		CODE	EURO
<b>TOTAL PRICE</b>			<b>5.080,00</b>
Cladding	BIANCO	P06153300C	2.170,00
	NERO OPACO	P06153160C	2.170,00
	ROSSO LAVA	P06153450C	2.170,00
	TERRA COTTA	P06153090C	2.170,00
Stove	E928	P07928000C	2.910,00
<b>Accessories on request</b>			
	Multifuoco System® single	P08020410C	725,00
	Multifuoco System Plus single	P08020500C	895,00
	Heat Storage System (HSS) kit	P08061620C	1.965,00
	Combustion air kit	P08061410C	185,00
	Flexible pipe Ø 12 cm for combustion air	P08010360	34,00 per pack (3 metres)



All dimensions in cm.

# WOOD-BURNING STOVES

## E928-H Hermetic BCS



### GENERAL CHARACTERISTICS

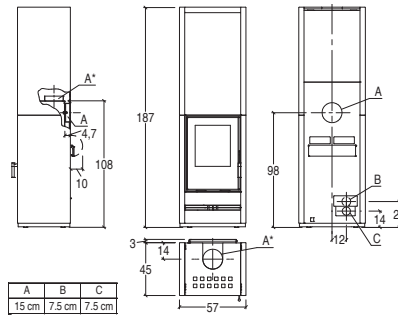
- Heating: Multifuoco System Plus with 4 speed levels, optional. Ductable hot air / HSS heat storage system / Natural convection
- Front ventilation: directional air vent
- Cladding / Top surface: majolica / majolica
- Stove: airtight steel
- Firebox: Aluker®
- Smoke baffle plate / Brazier: Aluker® / cast iron
- Door / Handle: cast iron with self-cleaning ceramic glass resistant up to 750°C / steel and silicone
- Removable ash drawer: yes
- Standard flue position: top or rear (anti-condensation installation, standard on top flue version)
- Humidifier: stainless steel
- Glass cleaning: continuous air flow
- Pre-heated primary and secondary air: electronically controlled
- Pre-set tertiary air: pre-heated
- Burn Control System: yes
- HSS Storage: optional (only available on top flue version)
- Ash vacuum cleaner: optional
- Installation: wall - corner

### TECHNICAL DATA

• Model		E928-H BCS
• Type		SL32-01
• Room heating capacity (min - max)	m <sup>3</sup>	185 - 320
• Nominal heat output (min - max)	kW	5,5 - 11,1
• Nominal thermal efficiency (min - max)	%	84,8 - 86,6
• Nominal consumption (min - max)	kg/h	1,4 - 2,9
• Size of wood pieces	cm	37 - 40
• Firebox opening W x H	cm	33 x 39,5
• Weight	kg	285
• Weight incl. HSS	kg	529



		CODE	EURO
<b>TOTAL PRICE</b>			<b>6.125,00</b>
Cladding	BIANCO	P06153300C	2.170,00
	NERO OPACO	P06153160C	2.170,00
	ROSSO LAVA	P06153450C	2.170,00
	TERRA COTTA	P06153090C	2.170,00
Stove	E928 Hermetic Burn Control System	P07928100C	3.955,00
<b>Accessories on request</b>			
	Multifuoco System Plus single	P08020700C	455,00
	Heat Storage System (HSS) kit	P08061620C	1.965,00
	Flexible pipe Ø 7,5 cm for combustion air / hot air ducting	N08011005	19,00 per linear metre



All dimensions in cm.

# WOOD-BURNING STOVES

## E928-M



### GENERAL CHARACTERISTICS

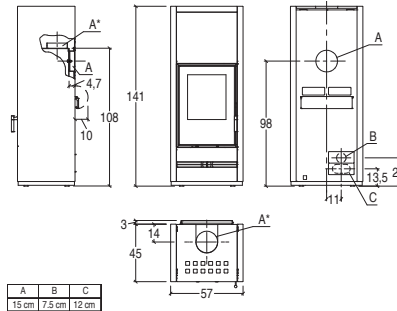
- Heating: Multifuoco System® with 4 speed levels, optional. Ductable hot air / HSS heat storage system / Natural convection
- Front ventilation: directional air vent
- Cladding / Top surface: majolica / majolica
- Stove: steel
- Firebox: Aluker®
- Smoke baffle plate / Brazier: Aluker® / cast iron
- Door / Handle: cast iron with self-cleaning ceramic glass resistant up to 750°C / steel and silicone
- Removable ash drawer: yes
- Standard flue position: top or rear (anti-condensation installation, standard on top flue version)
- Humidifier: stainless steel
- Glass cleaning: continuous air flow
- Primary and secondary air: adjustable
- Pre-set tertiary air: pre-heated
- HSS Storage: optional (only available on top flue version)
- Combustion air kit: optional
- Ash vacuum cleaner: optional
- Installation: wall - corner

### TECHNICAL DATA

• Model		E928 M
• Type		SL31-01
• Room heating capacity (min - max)	m <sup>3</sup>	185 - 315
• Nominal heat output (min - max)	kW	5,5 - 11,0
• Nominal thermal efficiency (min - max)	%	83,1 - 86,0
• Nominal consumption (min - max)	kg/h	1,5 - 2,9
• Size of wood pieces	cm	37 - 40
• Firebox opening W x H	cm	33 x 39,5
• Weight	kg	250
• Weight incl. HSS	kg	337



		CODE	EURO
<b>TOTAL PRICE</b>			<b>4.505,00</b>
Cladding	BIANCO	P06152300C	1.595,00
	NERO OPACO	P06152160C	1.595,00
	ROSSO LAVA	P06152450C	1.595,00
	TERRA COTTA	P06152090C	1.595,00
Stove	E928	P07928000C	2.910,00
<b>Accessories on request</b>			
	Multifuoco System® single	P08020410C	725,00
	Multifuoco System Plus single	P08020500C	895,00
	Heat Storage System (HSS) kit	P08061610C	750,00
	Combustion air kit	P08061410C	185,00
	Flexible pipe Ø 12 cm for combustion air	P08010360	34,00 per pack (3 metres)



All dimensions in cm.

# WOOD-BURNING STOVES

## E928-M Hermetic BCS



### GENERAL CHARACTERISTICS

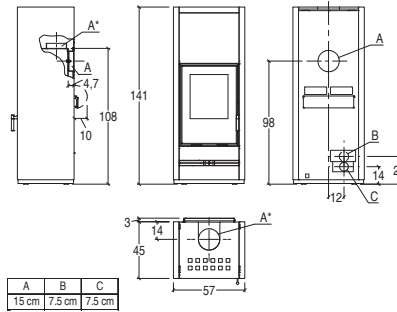
- Heating: Multifuoco System Plus with 4 speed levels, optional. Ductable hot air / HSS heat storage system / Natural convection
- Front ventilation: directional air vent
- Cladding / Top surface: majolica / majolica
- Stove: airtight steel
- Firebox: Aluker®
- Smoke baffle plate / Brazier: Aluker® / cast iron
- Door / Handle: cast iron with self-cleaning ceramic glass resistant up to 750°C / steel and silicone
- Removable ash drawer: yes
- Standard flue position: top or rear (anti-condensation installation, standard on top flue version)
- Humidifier: stainless steel
- Glass cleaning: continuous air flow
- Pre-heated primary and secondary air: electronically controlled
- Pre-set tertiary air: pre-heated
- Burn Control System: yes
- HSS Storage: optional (only available on top flue version)
- Ash vacuum cleaner: optional
- Installation: wall - corner

### TECHNICAL DATA

• Model		E928-M BCS
• Type		SL32-01
• Room heating capacity (min - max)	m <sup>3</sup>	185 - 320
• Nominal heat output (min - max)	kW	5,5 - 11,1
• Nominal thermal efficiency (min - max)	%	84,8 - 86,6
• Nominal consumption (min - max)	kg/h	1,4 - 2,9
• Size of wood pieces	cm	37 - 40
• Firebox opening W x H	cm	33 x 39,5
• Weight	kg	255
• Weight incl. HSS	kg	342



		CODE	EURO
<b>TOTAL PRICE</b>			<b>5.550,00</b>
Cladding	BIANCO	P06152300C	1.595,00
	NERO OPACO	P06152160C	1.595,00
	ROSSO LAVA	P06152450C	1.595,00
	TERRA COTTA	P06152090C	1.595,00
Stove	E928 Hermetic Burn Control System	P07928100C	3.955,00
<b>Accessories on request</b>			
	Multifuoco System Plus single	P08020700C	455,00
	Heat Storage System (HSS) kit	P08061610C	750,00
	Flexible pipe Ø 7,5 cm for combustion air / hot air ducting	N08011005	19,00 per linear metre



All dimensions in cm.



# WOOD-BURNING STOVES

## E928 R



### GENERAL CHARACTERISTICS

- Heating: Multifuoco System® with 4 speed levels, optional. Ductable hot air / Natural convection
- Front ventilation: directional air vent
- Cladding / Top surface: majolica / majolica
- Stove: steel
- Firebox: Aluker®
- Smoke baffle plate / Brazier: Aluker® / cast iron
- Door / Handle: cast iron with self-cleaning ceramic glass resistant up to 750°C / steel and silicone
- Removable ash drawer: yes
- Standard flue position: top or rear (anti-condensation installation, standard on top flue version)
- Humidifier: stainless steel
- Glass cleaning: continuous air flow
- Primary and secondary air: adjustable
- Pre-set tertiary air: pre-heated
- Combustion air kit: optional
- Ash vacuum cleaner: optional
- Installation: wall - corner

### TECHNICAL DATA

• Model		E928 R
• Type		SL31-01
• Room heating capacity (min - max)	m <sup>3</sup>	185 - 315
• Nominal heat output (min - max)	kW	5,5 - 11,0
• Nominal thermal efficiency (min - max)	%	83,1 - 86,0
• Nominal consumption (min - max)	kg/h	1,5 - 2,9
• Size of wood pieces	cm	37 - 40
• Firebox opening W x H	cm	33 x 39,5
• Weight	kg	223



CODE EURO

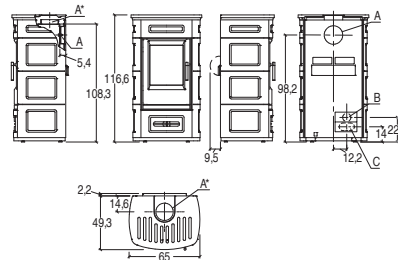
TOTAL PRICE		<b>4.230,00</b>	
Cladding	BIANCO	P06246300C	1.340,00
	CANAPA	P06246350C	1.340,00
	NERO OPACO	P06246160C	1.340,00
	VERDE MIRTO	P06246250C	1.340,00

TOTAL PRICE		<b>4.310,00</b>	
Cladding	BIANCO GRIGIO	P06246410C	1.420,00
	ROSSO LAVA	P06246450C	1.420,00

Stove	E928 R	P07928400C	2.890,00
-------	--------	------------	----------

#### Accessories on request

Multifuoco System® single	P08020410C	725,00
Multifuoco System Plus single	P08020500C	895,00
Combustion air kit	P08061410C	185,00
Flexible pipe Ø 12 cm for combustion air	P08010360	34,00 per pack (3 metres)



A	B	C
15 cm	7.5 cm	12 cm

All dimensions in cm.

# WOOD-BURNING STOVES

## E928 STEEL



### GENERAL CHARACTERISTICS

- Heating: Multifuoco System® with 4 speed levels, optional. Ductable hot air / Natural convection
- Front ventilation: directional air vent
- Cladding / Top surface: steel / steel
- Stove: steel
- Firebox: Aluker®
- Smoke baffle plate / Brazier: Aluker® / cast iron
- Door / Handle: cast iron with self-cleaning ceramic glass resistant up to 750°C / steel and silicone
- Removable ash drawer: yes
- Standard flue position: top or rear (anti-condensation installation, standard on top flue version)
- Humidifier: stainless steel
- Glass cleaning: continuous air flow
- Primary and secondary air: adjustable
- Pre-set tertiary air: pre-heated
- Combustion air kit: optional
- Ash vacuum cleaner: optional
- Installation: wall - corner

### TECHNICAL DATA

• Model		E928 ST
• Type		SL31-01
• Room heating capacity (min - max)	m <sup>3</sup>	185 - 315
• Nominal heat output (min - max)	kW	5,5 - 11,0
• Nominal thermal efficiency (min - max)	%	83,1 - 86,0
• Nominal consumption (min - max)	kg/h	1,5 - 2,9
• Size of wood pieces	cm	37 - 40
• Firebox opening W x H	cm	33 x 39,5
• Weight	kg	190

Data obtained in the configuration with upper flue outlet.

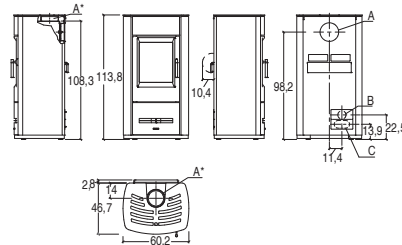


CODE EURO

TOTAL PRICE			<b>3.395,00</b>
Firebox with cladding	BIANCO with Nero front panels	P07282900C	3.395,00
	COR-TEN with Nero front panels	P07282920C	3.395,00
	NERO with Nero front panels	P07282910C	3.395,00

#### Accessories on request

Multifuoco System® single	P08020410C	725,00
Multifuoco System Plus single	P08020500C	895,00
Combustion air kit	P08061410C	185,00
Flexible pipe Ø 12 cm for combustion air	P08010360	34,00 per pack (3 metres)



A	B	C
15 cm	7,5 cm	6 cm

All dimensions in cm.

# WOOD-BURNING STOVES

## E928 S with food warmer



### GENERAL CHARACTERISTICS

- Heating: Multifuoco System® with 4 speed levels, optional. Ductable hot air / Natural convection
- Front ventilation: directional air vent
- Cladding / Top surface: majolica / majolica
- Stove: steel
- Firebox: Aluker®
- Smoke baffle plate / Brazier: Aluker® / cast iron
- Door / Handle: cast iron with self-cleaning ceramic glass resistant up to 750°C / steel and silicone
- Removable ash drawer: yes
- Standard flue position: top or rear (anti-condensation installation, standard on top flue version)
- Humidifier: stainless steel
- Glass cleaning: continuous air flow
- Primary and secondary air: adjustable
- Pre-set tertiary air: pre-heated
- Combustion air kit: optional
- Ash vacuum cleaner: optional
- Installation: wall - corner

### TECHNICAL DATA

• Model		E928 S
• Type		SL31-01
• Room heating capacity (min - max)	m³	185 - 315
• Nominal heat output (min - max)	kW	5,5 - 11,0
• Nominal thermal efficiency (min - max)	%	83,1 - 86,0
• Nominal consumption (min - max)	kg/h	1,5 - 2,9
• Size of wood pieces	cm	37 - 40
• Firebox opening W x H	cm	33 x 39,5
• Weight	kg	260

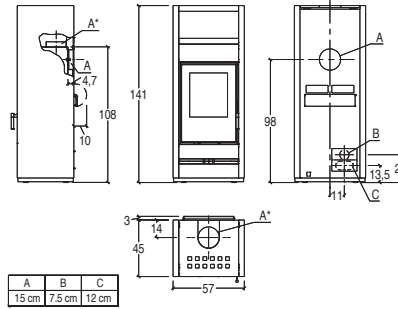


CODE EURO

TOTAL PRICE		<b>4.870,00</b>	
Cladding	BIANCO	P06155300C	1.960,00
	NERO OPACO	P06155160C	1.960,00
	ROSSO LAVA	P06155450C	1.960,00
	TERRA COTTA	P06155090C	1.960,00

Stove	E928	P07928000C	2.910,00
-------	------	------------	----------

<b>Accessories on request</b>			
Multifuoco System® single		P08020410C	725,00
Multifuoco System Plus single		P08020500C	895,00
Combustion air kit		P08061410C	185,00
Flexible pipe Ø 12 cm for combustion air		P08010360	34,00 per pack (3 metres)



All dimensions in cm.

# WOOD-BURNING STOVES

## E928 S Hermetic BCS with food warmer



### GENERAL CHARACTERISTICS

- Heating: Multifuoco System Plus with 4 speed levels, optional. Ductable hot air / Natural convection
- Front ventilation: directional air vent
- Cladding / Top surface: majolica / majolica
- Stove: airtight steel
- Firebox: Aluker®
- Smoke baffle plate / Brazier: Aluker® / cast iron
- Door / Handle: cast iron with self-cleaning ceramic glass resistant up to 750°C / steel and silicone
- Removable ash drawer: yes
- Standard flue position: top or rear (anti-condensation installation, standard on top flue version)
- Humidifier: stainless steel
- Glass cleaning: continuous air flow
- Pre-heated primary and secondary air: electronically controlled
- Pre-set tertiary air: pre-heated
- Burn Control System: yes
- Ash vacuum cleaner: optional
- Installation: wall - corner

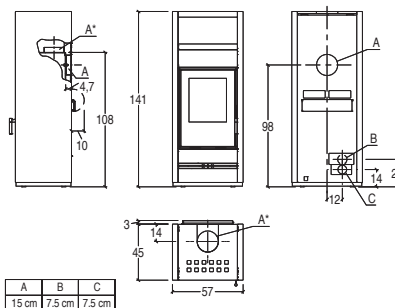
### TECHNICAL DATA

• Model		E928 S BCS
• Type		SL32-01
• Room heating capacity (min - max)	m <sup>3</sup>	185 - 320
• Nominal heat output (min - max)	kW	5,5 - 11,1
• Nominal thermal efficiency (min - max)	%	84,8 - 86,6
• Nominal consumption (min - max)	kg/h	1,4 - 2,9
• Size of wood pieces	cm	37 - 40
• Firebox opening W x H	cm	33 x 39,5
• Weight	kg	265



CODE EURO

TOTAL PRICE			<b>5.915,00</b>
Cladding	BIANCO	P06155300C	1.960,00
	NERO OPACO	P06155160C	1.960,00
	ROSSO LAVA	P06155450C	1.960,00
	TERRA COTTA	P06155090C	1.960,00
Stove	E928 Hermetic Burn Control System	P07928100C	3.955,00
<b>Accessories on request</b>			
	Multifuoco System Plus single	P08020700C	455,00
	Flexible pipe Ø 7,5 cm for combustion air / hot air ducting	N08011005	19,00 per linear metre



All dimensions in cm.

# WOOD-BURNING STOVES

## E929 C Hermetic



### GENERAL CHARACTERISTICS

- Heating: Multifuoco System® with 4 speed levels, optional. Ductable hot air / HSS heat storage system / Natural convection
- Front air ventilation: directional air vent (only on ceramic versions with opening)
- Cladding / Top surface: majolica / majolica
- Stove: airtight steel
- Firebox: Aluker®
- Smoke baffle plate / Brazier: Aluker® - Skamolex / cast iron
- Door / Handle: steel with self-cleaning ceramic glass resistant up to 750°C / steel and silicone
- Removable ash drawer: yes
- Standard flue outlet position: top
- Glass cleaning: continuous air flow
- Pre-heated primary and secondary air: adjustable
- Pre-set tertiary air: pre-heated
- HSS accumulation: optional
- Outside air kit: standard
- Ash vacuum cleaner: optional
- Installation: room centre - wall - corner

### TECHNICAL DATA

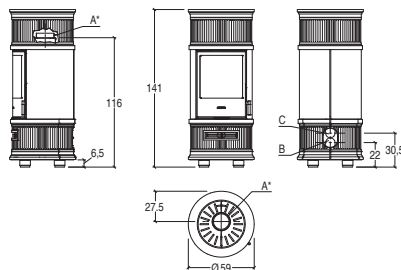
• Model		E929 C
• Type		SL310-04
• Room heating capacity (min - max)	m <sup>3</sup>	135 - 230
• Nominal heat output max	kW	7,9
• Nominal thermal efficiency	%	85,7
• Nominal consumption	kg/h	2,2
• Size of wood pieces	cm	30 - 33
• Firebox opening W x H	cm	29 x 40
• Weight	kg	183
• Weight incl. HSS	kg	233

Laboratory data obtained in the configuration with upper flue outlet and Piazzetta smoke duct, L 100 cm, for connection to the flue. The smoke duct is already included in the firebox package and is an integral part of the model.



		CODE	EURO
VERSION	- WITH FRONT VENT AND REAR KNOCK OUT HOLES - COMBUSTION AIR KIT, STANDARD		
TOTAL PRICE			<b>4.765,00</b>
Cladding	BIANCO	P06132300C	2.145,00
	BORDEAUX	P06132420C	2.145,00
	CANAPA	P06132350C	2.145,00
TOTAL PRICE			<b>5.215,00</b>
Cladding	BIANCO ANTICO DECORI BLU VERDEMARE	P06132111C	2.595,00
	BIANCO ANTICO DECORI TERRA BRUNA	P06132321C	2.595,00
Stove	E929 Ermetica	P07929001C	2.620,00
<b>Accessories on request</b>			
	Multifuoco System® single	P08027400C	725,00
	Multifuoco System Plus single	P08027420C	895,00
	Heat Storage System (HSS) kit	P08019020C	550,00
	Convective hot air adjustment kit	P08060740C	330,00
	Rear hot air ducting union kit	P08060800C	80,00
	Log rack	P08061260C	65,00
	Flexible pipe Ø 7,5 cm for combustion air / hot air ducting	N08011005	19,00 per linear metre

		CODE	EURO
VERSION	- WITHOUT FRONT VENT AND ANY REAR KNOCK OUT HOLES - OUTSIDE AIR KIT INCLUDED (WITH FLOOR LEVEL AIR INTAKE)		
TOTAL PRICE			<b>4.765,00</b>
Cladding	BIANCO	P06137300C	2.145,00
	BORDEAUX	P06137420C	2.145,00
	CANAPA	P06137350C	2.145,00
TOTAL PRICE			<b>5.215,00</b>
Cladding	BIANCO ANTICO DECORI BLU VERDEMARE	P06137111C	2.595,00
	BIANCO ANTICO DECORI TERRA BRUNA	P06137321C	2.595,00
Stove	E929 Ermetica	P07929001C	2.620,00
<b>Accessories on request</b>			
	Multifuoco System® single	P08027400C	725,00
	Multifuoco System Plus single	P08027420C	895,00
	Heat Storage System (HSS) kit	P08019020C	550,00
	Convective hot air adjustment kit	P08060740C	330,00
	Log rack	P08061260C	65,00
	Flexible pipe Ø 7,5 cm for combustion air / hot air ducting	N08011005	19,00 per linear metre



A	B	C
16 cm	7,5 cm	7,5 cm

All dimensions in cm.

# WOOD-BURNING STOVES

## E929 C Hermetic BCS



### GENERAL CHARACTERISTICS

- Heating: Multifuoco System Plus with 4 speed levels, optional. Ductable hot air / HSS heat storage system / Natural convection
- Front ventilation: directional air vent
- Cladding / Top surface: majolica / majolica
- Stove: airtight steel
- Firebox: Aluker®
- Smoke baffle plate / Brazier: Aluker® - Skamolex / cast iron
- Door / Handle: steel with self-cleaning ceramic glass resistant up to 750°C / steel and silicone
- Removable ash drawer: yes
- Standard flue outlet position: top
- Glass cleaning: continuous air flow
- Pre-heated primary and secondary air: electronically controlled
- Pre-set tertiary air: pre-heated
- Burn Control System: yes
- HSS accumulation: optional
- Outside air kit: standard
- Ash vacuum cleaner: optional
- Installation: room centre - wall - corner

### TECHNICAL DATA

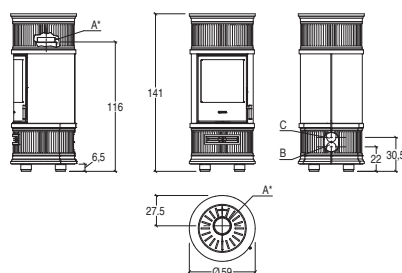
		E929 C BCS
• Model		SL311-03
• Type		130 - 220
• Room heating capacity (min - max)	m <sup>3</sup>	7,7
• Nominal heat output max	kW	85,6
• Nominal thermal efficiency	%	2,1
• Nominal consumption	kg/h	30 - 33
• Size of wood pieces	cm	29 x 40
• Firebox opening W x H	cm	183
• Weight	kg	233
• Weight incl. HSS	kg	

Laboratory data obtained in the configuration with upper flue outlet and Piazzetta smoke duct, L 50 cm, for connection to the flue. The smoke duct is already included in the firebox package and is an integral part of the model.



		CODE	EURO
VERSION	- WITH FRONT VENT AND REAR KNOCK OUT HOLES - COMBUSTION AIR KIT, STANDARD		
TOTAL PRICE			<b>6.025,00</b>
Cladding	BIANCO	P06132300C	2.145,00
	BORDEAUX	P06132420C	2.145,00
	CANAPA	P06132350C	2.145,00
TOTAL PRICE			<b>6.475,00</b>
Cladding	BIANCO ANTICO DECORI BLU VERDEMARE	P06132111C	2.595,00
	BIANCO ANTICO DECORI TERRA BRUNA	P06132321C	2.595,00
Stove	E929 Hermetic BCS	P07929600C	3.880,00
<b>Accessories on request</b>			
	Multifuoco System Plus single	P08027410C	455,00
	Heat Storage System (HSS) kit	P08019020C	550,00
	Convective hot air adjustment kit	P08060740C	330,00
	Rear hot air ducting union kit	P08060800C	80,00
	Log rack	P08061260C	65,00
	Flexible pipe Ø 7,5 cm for combustion air / hot air ducting	N08011005	19,00 per linear metre

		CODE	EURO
VERSION	- WITHOUT FRONT VENT AND ANY REAR KNOCK OUT HOLES - OUTSIDE AIR KIT INCLUDED (WITH FLOOR LEVEL AIR INTAKE)		
TOTAL PRICE			<b>6.025,00</b>
Cladding	BIANCO	P06137300C	2.145,00
	BORDEAUX	P06137420C	2.145,00
	CANAPA	P06137350C	2.145,00
TOTAL PRICE			<b>6.475,00</b>
Cladding	BIANCO ANTICO DECORI BLU VERDEMARE	P06137111C	2.595,00
	BIANCO ANTICO DECORI TERRA BRUNA	P06137321C	2.595,00
Stove	E929 Hermetic BCS	P07929600C	3.880,00
<b>Accessories on request</b>			
	Multifuoco System Plus single	P08027410C	455,00
	Heat Storage System (HSS) kit	P08019020C	550,00
	Convective hot air adjustment kit	P08060740C	330,00
	Log rack	P08061260C	65,00
	Flexible pipe Ø 7,5 cm for combustion air / hot air ducting	N08011005	19,00 per linear metre



A	B	C
15 cm	7,5 cm	7,5 cm

All dimensions in cm.

# WOOD-BURNING STOVES

## E929 C-H Hermetic



### GENERAL CHARACTERISTICS

- Heating: Multifuoco System® with 4 speed levels, optional. Ductable hot air / HSS heat storage system / Natural convection
- Front air ventilation: directional air vent (only on ceramic versions with opening)
- Cladding / Top surface: majolica / majolica
- Stove: airtight steel
- Firebox: Aluker®
- Smoke baffle plate / Brazier: Aluker® - Skamolex / cast iron
- Door / Handle: steel with self-cleaning ceramic glass resistant up to 750°C / steel and silicone
- Removable ash drawer: yes
- Standard flue outlet position: top
- Glass cleaning: continuous air flow
- Pre-heated primary and secondary air: adjustable
- Pre-set tertiary air: pre-heated
- HSS accumulation: optional
- Outside air kit: standard
- Ash vacuum cleaner: optional
- Installation: room centre - wall - corner

### TECHNICAL DATA

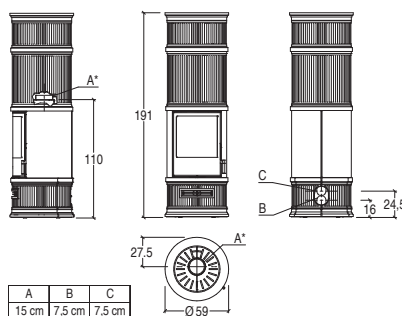
• Model		E929 C-H
• Type		SL310-04
• Room heating capacity (min - max)	m <sup>3</sup>	135 - 230
• Nominal heat output max	kW	7,9
• Nominal thermal efficiency	%	85,7
• Nominal consumption	kg/h	2,2
• Size of wood pieces	cm	30 - 33
• Firebox opening W x H	cm	29 x 40
• Weight	kg	206
• Weight incl. HSS	kg	422

Laboratory data obtained in the configuration with upper flue outlet and Piazzetta smoke duct, L 100 cm, for connection to the flue. The smoke duct is already included in the firebox package and is an integral part of the model.



		CODE	EURO
VERSION		- WITH FRONT VENT AND REAR KNOCK OUT HOLES - COMBUSTION AIR KIT, STANDARD	
TOTAL PRICE			<b>5.250,00</b>
Cladding	BIANCO	P06135300C	2.630,00
	BORDEAUX	P06135420C	2.630,00
	CANAPA	P06135350C	2.630,00
TOTAL PRICE			<b>5.895,00</b>
Cladding	BIANCO ANTICO DECORI BLU VERDEMARE	P06135111C	3.275,00
	BIANCO ANTICO DECORI TERRA BRUNA	P06135321C	3.275,00
Stove	E929 Ermetica	P07929001C	2.620,00
<b>Accessories on request</b>			
	Multifuoco System® single	P08027400C	725,00
	Multifuoco System Plus single	P08027420C	895,00
	Heat Storage System (HSS) kit	P08019050C	1.665,00
	Convective hot air adjustment kit	P08060740C	330,00
	Rear hot air ducting union kit	P08060800C	80,00
	Log rack	P08061260C	65,00
	Flexible pipe Ø 7,5 cm for combustion air / hot air ducting	N08011005	19,00 per linear metre

		CODE	EURO
VERSION		- WITHOUT FRONT VENT AND ANY REAR KNOCK OUT HOLES - OUTSIDE AIR KIT INCLUDED (WITH FLOOR LEVEL AIR INTAKE)	
TOTAL PRICE			<b>5.250,00</b>
Cladding	BIANCO	P06138300C	2.630,00
	BORDEAUX	P06138420C	2.630,00
	CANAPA	P06138350C	2.630,00
TOTAL PRICE			<b>5.895,00</b>
Cladding	BIANCO ANTICO DECORI BLU VERDEMARE	P06138111C	3.275,00
	BIANCO ANTICO DECORI TERRA BRUNA	P06138321C	3.275,00
Stove	E929 Ermetica	P07929001C	2.620,00
<b>Accessories on request</b>			
	Multifuoco System® single	P08027400C	725,00
	Multifuoco System Plus single	P08027420C	895,00
	Heat Storage System (HSS) kit	P08019050C	1.665,00
	Convective hot air adjustment kit	P08060740C	330,00
	Log rack	P08061260C	65,00
	Flexible pipe Ø 7,5 cm for combustion air / hot air ducting	N08011005	19,00 per linear metre



All dimensions in cm.



# WOOD-BURNING STOVES

## E929 C-H Hermetic BCS



### GENERAL CHARACTERISTICS

- Heating: Multifuoco System Plus with 4 speed levels, optional. Ductable hot air / HSS heat storage system / Natural convection
- Front ventilation: directional air vent
- Cladding / Top surface: majolica / majolica
- Stove: airtight steel
- Firebox: Aluker®
- Smoke baffle plate / Brazier: Aluker® - Skamolex / cast iron
- Door / Handle: steel with self-cleaning ceramic glass resistant up to 750°C / steel and silicone
- Removable ash drawer: yes
- Standard flue outlet position: top
- Glass cleaning: continuous air flow
- Pre-heated primary and secondary air: electronically controlled
- Pre-set tertiary air: pre-heated
- Burn Control System: yes
- HSS accumulation: optional
- Outside air kit: standard
- Ash vacuum cleaner: optional
- Installation: room centre - wall - corner

### TECHNICAL DATA

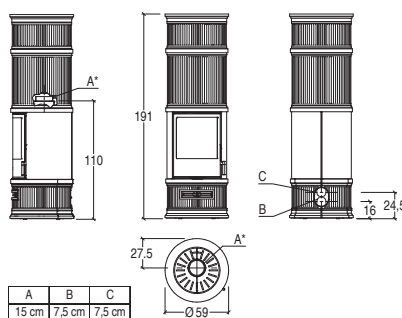
		E929 C-H BCS
• Model		SL311-03
• Type		130 - 220
• Room heating capacity (min - max)	m <sup>3</sup>	7,7
• Nominal heat output max	kW	85,6
• Nominal thermal efficiency	%	2,1
• Nominal consumption	kg/h	30 - 33
• Size of wood pieces	cm	29 x 40
• Firebox opening W x H	cm	206
• Weight	kg	422
• Weight incl. HSS	kg	

Laboratory data obtained in the configuration with upper flue outlet and Piazzetta smoke duct, L 50 cm, for connection to the flue. The smoke duct is already included in the firebox package and is an integral part of the model.



		CODE	EURO
VERSION	- WITH FRONT VENT AND REAR KNOCK OUT HOLES - COMBUSTION AIR KIT, STANDARD		
TOTAL PRICE			<b>6.510,00</b>
Cladding	BIANCO	P06135300C	2.630,00
	BORDEAUX	P06135420C	2.630,00
	CANAPA	P06135350C	2.630,00
TOTAL PRICE			<b>7.155,00</b>
Cladding	BIANCO ANTICO DECORI BLU VERDEMARE	P06135111C	3.275,00
	BIANCO ANTICO DECORI TERRA BRUNA	P06135321C	3.275,00
Stove	E929 Hermetic BCS	P07929600C	3.880,00
<b>Accessories on request</b>			
	Multifuoco System Plus single	P08027410C	455,00
	Heat Storage System (HSS) kit	P08019050C	1.665,00
	Convective hot air adjustment kit	P08060740C	330,00
	Rear hot air ducting union kit	P08060800C	80,00
	Log rack	P08061260C	65,00
	Flexible pipe Ø 7,5 cm for combustion air / hot air ducting	N08011005	19,00 per linear metre

		CODE	EURO
VERSION	- WITHOUT FRONT VENT AND ANY REAR KNOCK OUT HOLES - OUTSIDE AIR KIT INCLUDED (WITH FLOOR LEVEL AIR INTAKE)		
TOTAL PRICE			<b>6.510,00</b>
Cladding	BIANCO	P06138300C	2.630,00
	BORDEAUX	P06138420C	2.630,00
	CANAPA	P06138350C	2.630,00
TOTAL PRICE			<b>7.155,00</b>
Cladding	BIANCO ANTICO DECORI BLU VERDEMARE	P06138111C	3.275,00
	BIANCO ANTICO DECORI TERRA BRUNA	P06138321C	3.275,00
Stove	E929 Hermetic BCS	P07929600C	3.880,00
<b>Accessories on request</b>			
	Multifuoco System Plus single	P08027410C	455,00
	Heat Storage System (HSS) kit	P08019050C	1.665,00
	Convective hot air adjustment kit	P08060740C	330,00
	Log rack	P08061260C	65,00
	Flexible pipe Ø 7,5 cm for combustion air / hot air ducting	N08011005	19,00 per linear metre



All dimensions in cm.

# WOOD-BURNING STOVES

## E929 D Hermetic



### GENERAL CHARACTERISTICS

- Heating: Multifuoco System® with 4 speed levels, optional. Ductable hot air / Natural convection
- Front ventilation: directional air vent
- Cladding / Top surface: majolica / majolica
- Stove: airtight steel
- Firebox: Aluker®
- Smoke baffle plate / Brazier: Aluker® - Skamolex / cast iron
- Door / Handle: steel with self-cleaning ceramic glass resistant up to 750°C / steel and silicone
- Removable ash drawer: yes
- Standard flue outlet position: top or rear
- Humidifier: stainless steel
- Glass cleaning: continuous air flow
- Pre-heated primary and secondary air: adjustable
- Pre-set tertiary air: pre-heated
- Ash vacuum cleaner: optional
- Installation: wall - corner

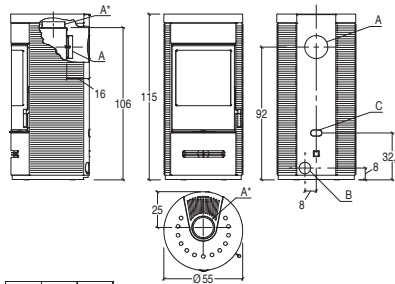
### TECHNICAL DATA

• Model		E929 D
• Type		SL310-04
• Room heating capacity (min - max)	m <sup>3</sup>	135 - 230
• Nominal heat output max	kW	7,9
• Nominal thermal efficiency	%	85,7
• Nominal consumption	kg/h	2,2
• Size of wood pieces	cm	30 - 33
• Firebox opening W x H	cm	29 x 40
• Weight	kg	164

Laboratory data obtained in the configuration with upper flue outlet and Piazzetta smoke duct, L 100 cm, for connection to the flue. The smoke duct is already included in the firebox package and is an integral part of the model.



	CODE	EURO
<b>TOTAL PRICE</b>		<b>4.525,00</b>
Cladding	ARDESIA	P06130240C 1.905,00
	BIANCO	P06130300C 1.905,00
	GIALLO ACCESO	P06130260C 1.905,00
	GRIGIO CERATO	P06130310C 1.905,00
	NERO OPACO	P06130160C 1.905,00
	ROSSO LAVA	P06130450C 1.905,00
Stove	E929 Ermetica	P07929001C 2.620,00
<b>Accessories on request</b>		
Multifuoco System® single	P08027400C	725,00
Multifuoco System Plus single	P08027420C	895,00
Log rack	P08061260C	65,00
Flexible pipe Ø 7,5 cm for combustion air / hot air ducting	N08011005	19,00 per linear metre



A	B	C
15 cm	7,5 cm	7,5 cm

All dimensions in cm.

# WOOD-BURNING STOVES

## E929 D Hermetic BCS



### GENERAL CHARACTERISTICS

- Heating: Multifuoco System Plus with 4 speed levels, optional. Ductable hot air / Natural convection
- Front ventilation: directional air vent
- Cladding / Top surface: majolica / majolica
- Stove: airtight steel
- Firebox: Aluker®
- Smoke baffle plate / Brazier: Aluker® - Skamolex / cast iron
- Door / Handle: steel with self-cleaning ceramic glass resistant up to 750°C / steel and silicone
- Removable ash drawer: yes
- Standard flue outlet position: top or rear
- Humidifier: stainless steel
- Glass cleaning: continuous air flow
- Pre-heated primary and secondary air: electronically controlled
- Pre-set tertiary air: pre-heated
- Burn Control System: yes
- Ash vacuum cleaner: optional
- Installation: wall - corner

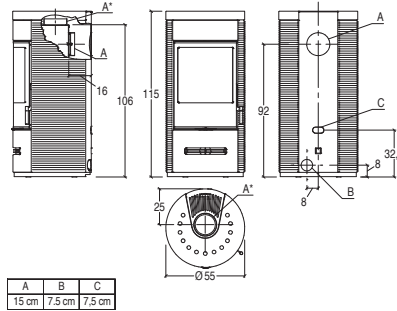
### TECHNICAL DATA

• Model		E929 D BCS
• Type		SL311-03
• Room heating capacity (min - max)	m <sup>3</sup>	130 - 220
• Nominal heat output max	kW	7,7
• Nominal thermal efficiency	%	85,6
• Nominal consumption	kg/h	2,1
• Size of wood pieces	cm	30 - 33
• Firebox opening W x H	cm	29 x 40
• Weight	kg	164

Laboratory data obtained in the configuration with upper flue outlet and Piazzetta smoke duct, L 50 cm, for connection to the flue. The smoke duct is already included in the firebox package and is an integral part of the model.



	CODE	EURO
<b>TOTAL PRICE</b>		<b>5.785,00</b>
Cladding	ARDESIA	P06130240C 1.905,00
	BIANCO	P06130300C 1.905,00
	GIALLO ACCESO	P06130260C 1.905,00
	GRIGIO CERATO	P06130310C 1.905,00
	NERO OPACO	P06130160C 1.905,00
	ROSSO LAVA	P06130450C 1.905,00
Stove	E929 Hermetic BCS	P07929600C 3.880,00
<b>Accessories on request</b>		
Multifuoco System Plus single	P08027410C	455,00
Log rack	P08061260C	65,00
Flexible pipe Ø 7,5 cm for combustion air / hot air ducting	N08011005	19,00 per linear metre



All dimensions in cm.

# WOOD-BURNING STOVES

## E929 D-H Hermetic



### GENERAL CHARACTERISTICS

- Heating: Multifuoco System® with 4 speed levels, optional. Ductable hot air / HSS heat storage system / Natural convection
- Front ventilation: directional air vent
- Cladding / Top surface: majolica / majolica
- Stove: airtight steel
- Firebox: Aluker®
- Smoke baffle plate / Brazier: Aluker® - Skamolex / cast iron
- Door / Handle: steel with self-cleaning ceramic glass resistant up to 750°C / steel and silicone
- Removable ash drawer: yes
- Standard flue position: top or rear (rear flue not compatible with storage kit)
- Glass cleaning: continuous air flow
- Pre-heated primary and secondary air: adjustable
- Pre-set tertiary air: pre-heated
- HSS accumulation: optional
- Ash vacuum cleaner: optional
- Installation: wall - corner

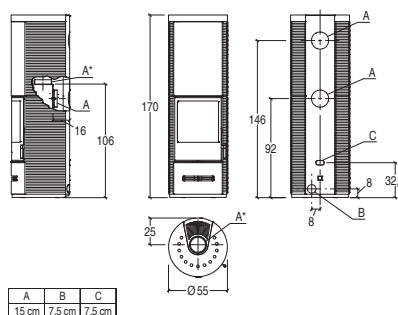
### TECHNICAL DATA

• Model		E929 D-H
• Type		SL310-04
• Room heating capacity (min - max)	m <sup>3</sup>	135 - 230
• Nominal heat output max	kW	7,9
• Nominal thermal efficiency	%	85,7
• Nominal consumption	kg/h	2,2
• Size of wood pieces	cm	30 - 33
• Firebox opening W x H	cm	29 x 40
• Weight	kg	194
• Weight incl. HSS	kg	360

Laboratory data obtained in the configuration with upper flue outlet and Piazzetta smoke duct, L 100 cm, for connection to the flue. The smoke duct is already included in the firebox package and is an integral part of the model.



	CODE	EURO
<b>TOTAL PRICE</b>		<b>4.920,00</b>
Cladding	ARDESIA	P06133240C 1.810,00
	BIANCO	P06133300C 1.810,00
	GIALLO ACCESO	P06133260C 1.810,00
	GRIGIO CERATO	P06133310C 1.810,00
	NERO OPACO	P06133160C 1.810,00
	ROSSO LAVA	P06133450C 1.810,00
Stove	E929 Ermetica	PI9290040-0 3.110,00
<b>Accessories on request</b>		
Multifuoco System® single	P08027400C	725,00
Multifuoco System Plus single	P08027420C	895,00
Heat Storage System (HSS) kit	P08019010C	1.165,00
Convective hot air adjustment kit	P08060280C	425,00
Log rack	P08061260C	65,00
Flexible pipe Ø 7,5 cm for combustion air / hot air ducting	N08011005	19,00 per linear metre



All dimensions in cm.

# WOOD-BURNING STOVES

## E929 D-H Hermetic BCS



### GENERAL CHARACTERISTICS

- Heating: Multifuoco System Plus with 4 speed levels, optional. Ductable hot air / HSS heat storage system / Natural convection
- Front ventilation: directional air vent
- Cladding / Top surface: majolica / majolica
- Stove: airtight steel
- Firebox: Aluker®
- Smoke baffle plate / Brazier: Aluker® - Skamolex / cast iron
- Door / Handle: steel with self-cleaning ceramic glass resistant up to 750°C / steel and silicone
- Removable ash drawer: yes
- Standard flue outlet position: top or rear
- Glass cleaning: continuous air flow
- Pre-heated primary and secondary air: electronically controlled
- Pre-set tertiary air: pre-heated
- Burn Control System: yes
- HSS accumulation: optional
- Ash vacuum cleaner: optional
- Installation: wall - corner

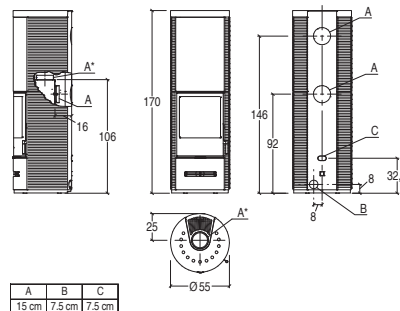
### TECHNICAL DATA

		E929 D-H BCS
• Model		SL311-03
• Type		130 - 220
• Room heating capacity (min - max)	m <sup>3</sup>	7,7
• Nominal heat output max	kW	85,6
• Nominal thermal efficiency	%	2,1
• Nominal consumption	kg/h	30 - 33
• Size of wood pieces	cm	29 x 40
• Firebox opening W x H	cm	194
• Weight	kg	360
• Weight incl. HSS	kg	

Laboratory data obtained in the configuration with upper flue outlet and Piazzetta smoke duct, L 50 cm, for connection to the flue. The smoke duct is already included in the firebox package and is an integral part of the model.



		CODE	EURO
<b>TOTAL PRICE</b>			<b>6.180,00</b>
Cladding	ARDESIA	P06133240C	1.810,00
	BIANCO	P06133300C	1.810,00
	GIALLO ACCESO	P06133260C	1.810,00
	GRIGIO CERATO	P06133310C	1.810,00
	NERO OPACO	P06133160C	1.810,00
	ROSSO LAVA	P06133450C	1.810,00
Stove	E929 Hermetic BCS	P07929600C	3.880,00
Essential kit	Profile kits in painted steel	P08019190C	490,00
<b>Accessories on request</b>			
	Multifuoco System Plus single	P08027410C	455,00
	Heat Storage System (HSS) kit	P08019010C	1.165,00
	Convective hot air adjustment kit	P08060280C	425,00
	Log rack	P08061260C	65,00
	Flexible pipe Ø 7,5 cm for combustion air / hot air ducting	N08011005	19,00 per linear metre



All dimensions in cm.

# WOOD-BURNING STOVES

## E929 M Hermetic



### GENERAL CHARACTERISTICS

- Heating: Multifuoco System® with 4 speed levels, optional. Ductable hot air / Natural convection
- Front ventilation: directional air vent
- Cladding / Top surface: majolica / majolica
- Stove: airtight steel
- Firebox: Aluker®
- Smoke baffle plate / Brazier: Aluker® - Skamolex / cast iron
- Door / Handle: steel with self-cleaning ceramic glass resistant up to 750°C / steel and silicone
- Removable ash drawer: yes
- Standard flue outlet position: top or rear
- Humidifier: stainless steel
- Glass cleaning: continuous air flow
- Pre-heated primary and secondary air: adjustable
- Pre-set tertiary air: pre-heated
- Ash vacuum cleaner: optional
- Installation: wall - corner

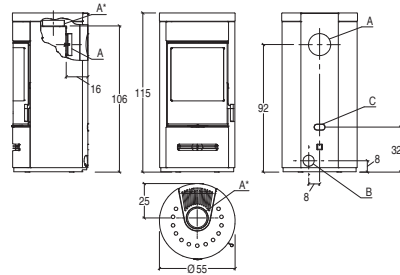
### TECHNICAL DATA

• Model		E929 M
• Type		SL310-04
• Room heating capacity (min - max)	m <sup>3</sup>	135 - 230
• Nominal heat output max	kW	7,9
• Nominal thermal efficiency	%	85,7
• Nominal consumption	kg/h	2,2
• Size of wood pieces	cm	30 - 33
• Firebox opening W x H	cm	29 x 40
• Weight	kg	163

Laboratory data obtained in the configuration with upper flue outlet and Piazzetta smoke duct, L 100 cm, for connection to the flue. The smoke duct is already included in the firebox package and is an integral part of the model.



	CODE	EURO
<b>TOTAL PRICE</b>		<b>4.525,00</b>
Cladding	ARDESIA	P06131240C 1.905,00
	BIANCO	P06131300C 1.905,00
	GIALLO ACCESO	P06131260C 1.905,00
	GRIGIO CERATO	P06131310C 1.905,00
	NERO OPACO	P06131160C 1.905,00
	ROSSO LAVA	P06131450C 1.905,00
Stove	E929 Ermetica	P07929001C 2.620,00
<b>Accessories on request</b>		
Multifuoco System® single	P08027400C	725,00
Multifuoco System Plus single	P08027420C	895,00
Log rack	P08061260C	65,00
Flexible pipe Ø 7,5 cm for combustion air / hot air ducting	N08011005	19,00 per linear metre



A	B	C
15 cm	7,5 cm	7,5 cm

All dimensions in cm.

# WOOD-BURNING STOVES

## E929 M Hermetic BCS



### GENERAL CHARACTERISTICS

- Heating: Multifuoco System Plus with 4 speed levels, optional. Ductable hot air / Natural convection
- Front ventilation: directional air vent
- Cladding / Top surface: majolica / majolica
- Stove: airtight steel
- Firebox: Aluker®
- Smoke baffle plate / Brazier: Aluker® - Skamolex / cast iron
- Door / Handle: steel with self-cleaning ceramic glass resistant up to 750°C / steel and silicone
- Removable ash drawer: yes
- Standard flue outlet position: top or rear
- Humidifier: stainless steel
- Glass cleaning: continuous air flow
- Pre-heated primary and secondary air: electronically controlled
- Pre-set tertiary air: pre-heated
- Burn Control System: yes
- Ash vacuum cleaner: optional
- Installation: wall - corner

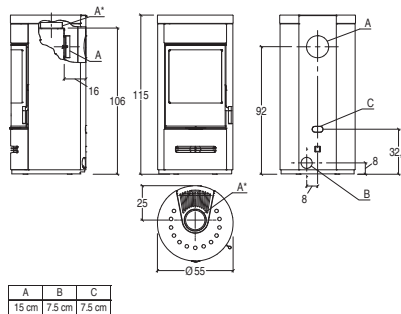
### TECHNICAL DATA

• Model		E929 M BCS
• Type		SL311-03
• Room heating capacity (min - max)	m <sup>3</sup>	130 - 220
• Nominal heat output max	kW	7,7
• Nominal thermal efficiency	%	85,6
• Nominal consumption	kg/h	2,1
• Size of wood pieces	cm	30 - 33
• Firebox opening W x H	cm	29 x 40
• Weight	kg	163

Laboratory data obtained in the configuration with upper flue outlet and Piazzetta smoke duct, L 50 cm, for connection to the flue. The smoke duct is already included in the firebox package and is an integral part of the model.



	CODE	EURO
<b>TOTAL PRICE</b>		<b>5.785,00</b>
Cladding	ARDESIA	P06131240C 1.905,00
	BIANCO	P06131300C 1.905,00
	GIALLO ACCESO	P06131260C 1.905,00
	GRIGIO CERATO	P06131310C 1.905,00
	NERO OPACO	P06131160C 1.905,00
	ROSSO LAVA	P06131450C 1.905,00
Stove	E929 Hermetic BCS	P07929600C 3.880,00
<b>Accessories on request</b>		
Multifuoco System Plus single	P08027410C	455,00
Log rack	P08061260C	65,00
Flexible pipe Ø 7,5 cm for combustion air / hot air ducting	N08011005	19,00 per linear metre



All dimensions in cm.



# WOOD-BURNING STOVES

## E929 M-H Hermetic



### GENERAL CHARACTERISTICS

- Heating: Multifuoco System® with 4 speed levels, optional. Ductable hot air / HSS heat storage system / Natural convection
- Front ventilation: directional air vent
- Cladding / Top surface: majolica / majolica
- Stove: airtight steel
- Firebox: Aluker®
- Smoke baffle plate / Brazier: Aluker® - Skamolex / cast iron
- Door / Handle: steel with self-cleaning ceramic glass resistant up to 750°C / steel and silicone
- Removable ash drawer: yes
- Standard flue position: top or rear (rear flue not compatible with storage kit)
- Glass cleaning: continuous air flow
- Pre-heated primary and secondary air: adjustable
- Pre-set tertiary air: pre-heated
- HSS accumulation: optional
- Ash vacuum cleaner: optional
- Installation: wall - corner

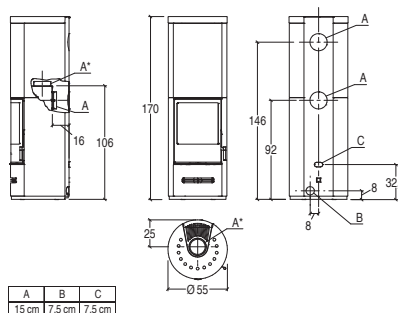
### TECHNICAL DATA

• Model		E929 M-H
• Type		SL310-04
• Room heating capacity (min - max)	m <sup>3</sup>	135 - 230
• Nominal heat output max	kW	7,9
• Nominal thermal efficiency	%	85,7
• Nominal consumption	kg/h	2,2
• Size of wood pieces	cm	30 - 33
• Firebox opening W x H	cm	29 x 40
• Weight	kg	191
• Weight incl. HSS	kg	357

Laboratory data obtained in the configuration with upper flue outlet and Piazzetta smoke duct, L 100 cm, for connection to the flue. The smoke duct is already included in the firebox package and is an integral part of the model.



		CODE	EURO
<b>TOTAL PRICE</b>			<b>4.920,00</b>
Cladding	ARDESIA	P06134240C	1.810,00
	BIANCO	P06134300C	1.810,00
	GIALLO ACCESO	P06134260C	1.810,00
	GRIGIO CERATO	P06134310C	1.810,00
	NERO OPACO	P06134160C	1.810,00
	ROSSO LAVA	P06134450C	1.810,00
Stove	E929 Ermetica	PI9290040-0	3.110,00
<b>Accessories on request</b>			
	Multifuoco System® single	P08027400C	725,00
	Multifuoco System Plus single	P08027420C	895,00
	Heat Storage System (HSS) kit	P08019010C	1.165,00
	Convective hot air adjustment kit	P08060280C	425,00
	Log rack	P08061260C	65,00
	Flexible pipe Ø 7,5 cm for combustion air / hot air ducting	N08011005	19,00 per linear metre



All dimensions in cm.

# WOOD-BURNING STOVES

## E929 M-H Hermetic BCS



### GENERAL CHARACTERISTICS

- Heating: Multifuoco System Plus with 4 speed levels, optional. Ductable hot air / HSS heat storage system / Natural convection
- Front ventilation: directional air vent
- Cladding / Top surface: majolica / majolica
- Stove: airtight steel
- Firebox: Aluker®
- Smoke baffle plate / Brazier: Aluker® - Skamolex / cast iron
- Door / Handle: steel with self-cleaning ceramic glass resistant up to 750°C / steel and silicone
- Removable ash drawer: yes
- Standard flue outlet position: top or rear
- Glass cleaning: continuous air flow
- Pre-heated primary and secondary air: electronically controlled
- Pre-set tertiary air: pre-heated
- Burn Control System: yes
- HSS accumulation: optional
- Ash vacuum cleaner: optional
- Installation: wall - corner

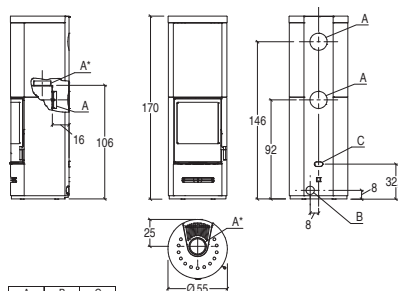
### TECHNICAL DATA

		E929 M-H BCS
• Model		SL311-03
• Type		130 - 220
• Room heating capacity (min - max)	m <sup>3</sup>	7,7
• Nominal heat output max	kW	85,6
• Nominal thermal efficiency	%	2,1
• Nominal consumption	kg/h	30 - 33
• Size of wood pieces	cm	29 x 40
• Firebox opening W x H	cm	191
• Weight	kg	357
• Weight incl. HSS	kg	

Laboratory data obtained in the configuration with upper flue outlet and Piazzetta smoke duct, L 50 cm, for connection to the flue. The smoke duct is already included in the firebox package and is an integral part of the model.



		CODE	EURO
<b>TOTAL PRICE</b>			<b>6.180,00</b>
Cladding	ARDESIA	P06134240C	1.810,00
	BIANCO	P06134300C	1.810,00
	GIALLO ACCESO	P06134260C	1.810,00
	GRIGIO CERATO	P06134310C	1.810,00
	NERO OPACO	P06134160C	1.810,00
	ROSSO LAVA	P06134450C	1.810,00
Stove	E929 Hermetic BCS	P07929600C	3.880,00
Essential kit	Profile kits in painted steel	P08019190C	490,00
<b>Accessories on request</b>			
	Multifuoco System Plus single	P08027410C	455,00
	Heat Storage System (HSS) kit	P08019010C	1.165,00
	Convective hot air adjustment kit	P08060280C	425,00
	Log rack	P08061260C	65,00
	Flexible pipe Ø 7,5 cm for combustion air / hot air ducting	N08011005	19,00 per linear metre



All dimensions in cm.

# WOOD-BURNING STOVES

## E929 T Hermetic



### GENERAL CHARACTERISTICS

- Heating: Multifuoco System® with 4 speed levels, optional. Ductable hot air / HSS heat storage system / Natural convection
- Front ventilation: directional air vent
- Cladding / Top surface: majolica / majolica
- Stove: airtight steel
- Firebox: Aluker®
- Smoke baffle plate / Brazier: Aluker® - Skamolex / cast iron
- Door / Handle: steel with self-cleaning ceramic glass resistant up to 750°C / steel and silicone
- Removable ash drawer: yes
- Standard flue position: top or rear (rear flue not compatible with storage kit)
- Glass cleaning: continuous air flow
- Pre-heated primary and secondary air: adjustable
- Pre-set tertiary air: pre-heated
- HSS accumulation: optional
- Ash vacuum cleaner: optional
- Installation: wall - corner

### TECHNICAL DATA

• Model		E929 T
• Type		SL310-04
• Room heating capacity (min - max)	m <sup>3</sup>	135 - 230
• Nominal heat output max	kW	7,9
• Nominal thermal efficiency	%	85,7
• Nominal consumption	kg/h	2,2
• Size of wood pieces	cm	30 - 33
• Firebox opening W x H	cm	29 x 40
• Weight	kg	183
• Weight incl. HSS	kg	250

Laboratory data obtained in the configuration with upper flue outlet and Piazzetta smoke duct, L 100 cm, for connection to the flue. The smoke duct is already included in the firebox package and is an integral part of the model.



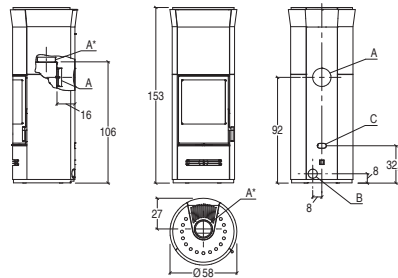
CODE EURO

TOTAL PRICE			<b>4.770,00</b>
Cladding	ARDESIA	P06136240C	1.660,00
	BIANCO	P06136300C	1.660,00
	GIALLO ACCESO	P06136260C	1.660,00
	GRIGIO CERATO	P06136310C	1.660,00
	NERO OPACO	P06136160C	1.660,00
	ROSSO LAVA	P06136450C	1.660,00

Stove	E929 Ermetica	PI9290050-0	3.110,00
-------	---------------	-------------	----------

#### Accessories on request

Multifuoco System® single	P08027400C	725,00
Multifuoco System Plus single	P08027420C	895,00
Heat Storage System (HSS) kit	P08019030C	685,00
Convective hot air adjustment kit	P08060290C	330,00
Log rack	P08061260C	65,00
Flexible pipe Ø 7,5 cm for combustion air / hot air ducting	N08011005	19,00 per linear metre



A	B	C
15 cm	7.5 cm	7.5 cm

All dimensions in cm.

# WOOD-BURNING STOVES

## E929 T Hermetic BCS



### GENERAL CHARACTERISTICS

- Heating: Multifuoco System Plus with 4 speed levels, optional. Ductable hot air / HSS heat storage system / Natural convection
- Front ventilation: directional air vent
- Cladding / Top surface: majolica / majolica
- Stove: airtight steel
- Firebox: Aluker®
- Smoke baffle plate / Brazier: Aluker® - Skamolex / cast iron
- Door / Handle: steel with self-cleaning ceramic glass resistant up to 750°C / steel and silicone
- Removable ash drawer: yes
- Standard flue outlet position: top or rear
- Glass cleaning: continuous air flow
- Pre-heated primary and secondary air: electronically controlled
- Pre-set tertiary air: pre-heated
- Burn Control System: yes
- HSS accumulation: optional
- Ash vacuum cleaner: optional
- Installation: wall - corner

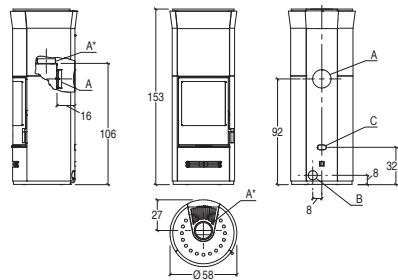
### TECHNICAL DATA

• Model		E929 T BCS
• Type		SL311-03
• Room heating capacity (min - max)	m <sup>3</sup>	130 - 220
• Nominal heat output max	kW	7,7
• Nominal thermal efficiency	%	85,6
• Nominal consumption	kg/h	2,1
• Size of wood pieces	cm	30 - 33
• Firebox opening W x H	cm	29 x 40
• Weight	kg	183
• Weight incl. HSS	kg	250

Laboratory data obtained in the configuration with upper flue outlet and Piazzetta smoke duct, L 50 cm, for connection to the flue. The smoke duct is already included in the firebox package and is an integral part of the model.



		CODE	EURO
<b>TOTAL PRICE</b>			<b>6.030,00</b>
Cladding	ARDESIA	P06136240C	1.660,00
	BIANCO	P06136300C	1.660,00
	GIALLO ACCESO	P06136260C	1.660,00
	GRIGIO CERATO	P06136310C	1.660,00
	NERO OPACO	P06136160C	1.660,00
	ROSSO LAVA	P06136450C	1.660,00
Stove	E929 Hermetic BCS	P07929600C	3.880,00
Essential kit	Profile kits in painted steel	P08019200C	490,00
<b>Accessories on request</b>			
	Multifuoco System Plus single	P08027410C	455,00
	Heat Storage System (HSS) kit	P08019030C	685,00
	Convective hot air adjustment kit	P08060290C	330,00
	Log rack	P08061260C	65,00
	Flexible pipe Ø 7,5 cm for combustion air / hot air ducting	N08011005	19,00 per linear metre



A	B	C
15 cm	7.5 cm	7.5 cm

All dimensions in cm.



# Trend LINE

## WOOD-BURNING STOVES

Data charts . . . . .	232
E124 Hermetic . . . . .	234
E124 Hermetic BCS . . . . .	235
E124 A Hermetic . . . . .	236
E124 A Hermetic BCS . . . . .	237
E128 . . . . .	238
E128 Hermetic BCS . . . . .	239
E128 A . . . . .	240
E128 A Hermetic BCS . . . . .	241
E129 M Hermetic . . . . .	242
E129 M Hermetic BCS . . . . .	243
Accessories . . . . .	244

# WOOD-BURNING STOVES TrendLINE

## Data charts



Technical data	Units	E124 Hermetic	E124 Hermetic BCS	E124 A Hermetic	E124 A Hermetic BCS
Forced ventilation		-	-	-	-
Ductable		-	-	-	-
Natural convection		yes	yes	yes	yes
Hermetic		yes	yes	yes	yes
Oven		-	-	-	-
Model		E124	E124 BCS	E124 A	E124 A BCS
Type		SL300-03	SL301-03	SL300-03	SL301-03
Energy efficiency class		A+	A+	A+	A+
Room heating capacity *	m <sup>3</sup>	120 - 210	120 - 210	120 - 210	120 - 210
Nominal heat output max	kW	7,2	7,2	7,2	7,2
Nominal thermal efficiency	%	85,1	85,3	85,1	85,3
Nominal consumption	kg/h	1,9	1,9	1,9	1,9
Standard flue outlet Ø	cm	15	15	15	15
Dimensions W x D x H	cm	48,2 x 48,2 x 114,2	48,2 x 48,2 x 114,2	48,2 x 48,2 x 124,4	48,2 x 48,2 x 124,4
Dimensions W x D x H without feet	cm	-	-	-	-
Dimensions W x D x H with optional bench	cm	-	-	-	-
Weight	kg	150	150	115	115
Weight incl. HSS	kg	180	180	-	-
Oven W x D x H	cm	-	-	-	-
Heating		optional HSS heat storage system / natural convection	optional HSS heat storage system / natural convection	natural convection	natural convection
Front ventilation		-	-	-	-
Bench in majolica		-	-	-	-
Cladding		steel	steel	steel	steel
Stove		airtight, steel	airtight, steel	airtight, steel	airtight, steel
Firebox		Aluker®	Aluker®	Aluker®	Aluker®
Smoke baffle plate / Brazier		Aluker® - Skamolex / cast iron	Aluker® - Skamolex / cast iron	Aluker® - Skamolex / cast iron	Aluker® - Skamolex / cast iron
Door / Handle		steel with self-cleaning ceramic glass resistant up to 750°C / steel and silicone	steel with self-cleaning ceramic glass resistant up to 750°C / steel and silicone	steel with self-cleaning ceramic glass resistant up to 750°C / steel and silicone	steel with self-cleaning ceramic glass resistant up to 750°C / steel and silicone
Ceramic glass		-	-	-	-
Removable ash drawer		yes	yes	yes	yes
Oven		-	-	-	-
Standard flue outlet position		top	top	top	top
Adjustable hood		-	-	-	-
Humidifier		optional	optional	optional	optional
Stove base		-	-	-	-
Steel feet as standard supply		-	-	-	-
Steel /ceramic feet as standard		-	-	-	-
Primary and secondary air		-	-	-	-
Pre-heated primary and secondary air		adjustable	electronically controlled	adjustable	electronically controlled
Pre-set tertiary air		pre-heated	pre-heated	pre-heated	pre-heated
Glass cleaning system		continuous air flow	continuous air flow	continuous air flow	continuous air flow
Burn Control System		-	yes	-	yes
HSS Heat Storage System		optional (only compatible with top flue version)	optional (only compatible with top flue version)	-	-
Combustion air kit		-	-	-	-
Ash vacuum cleaner		optional	optional	optional	optional
Installation		wall - corner	wall - corner	wall - corner	wall - corner

\* Calculated on the basis of nominal heat output, referring to rooms with a heating requirement between 0.060 and 0.035 kW per m<sup>3</sup>. We recommend always contacting a heating engineer for the final calculations.



# WOOD-BURNING STOVES TrendLINE

## Data charts



E128	E128 Hermetic BCS	E128 A	E128 A Hermetic BCS	E129 M Hermetic	E129 M Hermetic BCS
yes	yes	yes	yes	yes	yes
yes	yes	yes	yes	yes	yes
yes	yes	yes	yes	yes	yes
-	yes	-	yes	yes	yes
-	-	-	-	-	-
E128	E128 BCS	E128 A	E128 A BCS	E129 M	E129 M BCS
SL31-03	SL32-03	SL31-03	SL32-03	SL310-08	SL311-08
A+	A+	A+	A+	A+	A+
185 - 315	185 - 315	185 - 315	185 - 315	135 - 230	130 - 225
11,0	11,0	11,0	11,0	7,9	7,8
87,4	87,2	87,4	87,2	85,7	87,6
2,8	2,8	2,8	2,8	2,2	2,1
15	15	15	15	15	15
57 x 45 x 127	57 x 45 x 127	57 x 45 x 141	57 x 45 x 141	57 x 57 x 118,2	57 x 57 x 118,2
-	-	-	-	-	-
212	236	224	242	170	183
-	262	-	-	-	-
-	-	-	-	-	-
optional HSS heat storage system / natural convection / ductable forced ventilation adjustable air vent in the version with Multifuoco System®	optional HSS heat storage system / natural convection / ductable forced ventilation adjustable air vent in the version with Multifuoco System®	natural convection / ductable forced ventilation adjustable air vent in the version with Multifuoco System®	natural convection / ductable forced ventilation adjustable air vent in the version with Multifuoco System®	natural convection / ductable forced ventilation adjustable air vent in the version with Multifuoco System®	natural convection / ductable forced ventilation adjustable air vent in the version with Multifuoco System®
steel	steel	steel	steel	steel	steel
steel	airtight, steel	steel	airtight, steel	airtight, steel	airtight, steel
Aluker®	Aluker®	Aluker®	Aluker®	Aluker®	Aluker®
Aluker® / cast iron	Aluker® / cast iron	Aluker® / cast iron	Aluker® / cast iron	Aluker® - Skamolex / cast iron	Aluker® - Skamolex / cast iron
cast iron with self-cleaning ceramic glass resistant up to 750°C / steel and silicone	cast iron with self-cleaning ceramic glass resistant up to 750°C / steel and silicone	cast iron with self-cleaning ceramic glass resistant up to 750°C / steel and silicone	cast iron with self-cleaning ceramic glass resistant up to 750°C / steel and silicone	steel with self-cleaning ceramic glass resistant up to 750°C / steel and silicone	steel with self-cleaning ceramic glass resistant up to 750°C / steel and silicone
-	-	-	-	-	-
yes	yes	yes	yes	yes	yes
-	-	-	-	-	-
top or rear	top or rear	top or rear	top or rear	top or rear	top or rear
-	-	-	-	-	-
optional	optional	optional	optional	optional	optional
-	-	-	-	-	-
-	-	-	-	-	-
adjustable	-	adjustable	-	-	-
-	electronically controlled	-	electronically controlled	adjustable	electronically controlled
pre-heated	pre-heated	pre-heated	pre-heated	pre-heated	pre-heated
continuous air flow	continuous air flow	continuous air flow	continuous air flow	continuous air flow	continuous air flow
-	yes	-	yes	-	yes
optional (only compatible with top flue version)	optional (only compatible with top flue version)	-	-	-	-
-	-	-	-	-	-
optional	optional	optional	optional	optional	optional
wall - corner	wall - corner	wall - corner	wall - corner	wall - corner	wall - corner

Data obtained using beech wood with moisture content below 16%. Consumption varies according to the type of wood used.  
 For models E128 - E128 Hermetic BCS - E128 A - E128 A Hermetic BCS the data shown refer to the version with Multifuoco System® as standard.

# WOOD-BURNING STOVES TrendLINE

## E124 Hermetic

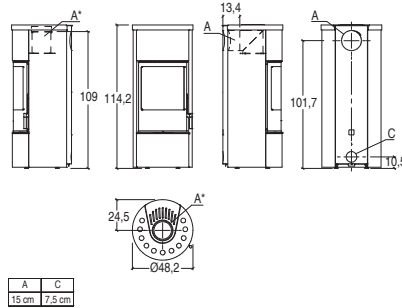


CODE EURO

VERSION	NATURAL CONVECTION	
TOTAL STOVE	<b>3.110,00</b>	
Firebox with cladding	BIANCO OPACO	P07240010C
	NERO OPACO	P07240020C
<b>Accessories on request</b>		
Heat Storage System (HSS) kit	P08060130C	430,00
Rear flue kit	P08060180C	110,00
Humidifier	N08019034C	35,00
Flexible pipe Ø 7,5 cm for combustion air / hot air ducting	N08011005	19,00 per linear metre

### GENERAL CHARACTERISTICS

- Heating: optional HSS heat storage system / Natural convection
- Cladding / Top surface: steel / majolica
- Stove: airtight steel
- Firebox: Aluker®
- Smoke baffle plate / Brazier: Aluker® - Skamolex / cast iron
- Door / Handle: steel with self-cleaning ceramic glass resistant up to 750°C / steel and silicone
- Removable ash drawer: yes
- Standard flue outlet position: top
- Optional flue outlet: rear
- Humidifier: optional
- Glass cleaning: continuous air flow
- Pre-heated primary and secondary air: adjustable
- Pre-set tertiary air: pre-heated
- HSS Storage: optional (only available on top flue version)
- Ash vacuum cleaner: optional
- Installation: wall - corner



All dimensions in cm.

### TECHNICAL DATA

• Model		E124
• Type		SL300-03
• Room heating capacity (min - max)	m <sup>3</sup>	120 - 210
• Nominal heat output max	kW	7,2
• Nominal thermal efficiency	%	85,1
• Nominal consumption	kg/h	1,9
• Size of wood pieces	cm	27 - 30
• Firebox opening W x H	cm	22,5 x 34,5
• Weight	kg	150
• Weight incl. HSS	kg	180

Laboratory data obtained in the configuration with upper flue outlet and Piazzetta smoke duct, L 100 cm, for connection to the flue. The smoke duct is already included in the firebox package and is an integral part of the model.



# WOOD-BURNING STOVES TrendLINE

## E124 Hermetic BCS



### GENERAL CHARACTERISTICS

- Heating: optional HSS heat storage system / Natural convection
- Cladding / Top surface: steel / majolica
- Stove: airtight steel
- Firebox: Aluker®
- Smoke baffle plate / Brazier: Aluker® - Skamolex / cast iron
- Door / Handle: steel with self-cleaning ceramic glass resistant up to 750°C / steel and silicone
- Removable ash drawer: yes
- Standard flue outlet position: top
- Optional flue outlet: rear
- Humidifier: optional
- Glass cleaning: continuous air flow
- Pre-heated primary and secondary air: electronically controlled
- Pre-set tertiary air: pre-heated
- Burn Control System: yes
- HSS Storage: optional (only available on top flue version)
- Ash vacuum cleaner: optional
- Installation: wall - corner

### TECHNICAL DATA

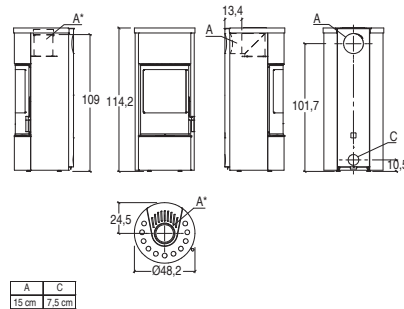
• Model		E124 BCS
• Type		SL301-03
• Room heating capacity (min - max)	m <sup>3</sup>	120 - 210
• Nominal heat output max	kW	7,2
• Nominal thermal efficiency	%	85,3
• Nominal consumption	kg/h	1,9
• Size of wood pieces	cm	27 - 30
• Firebox opening W x H	cm	22,5 x 34,5
• Weight	kg	150
• Weight incl. HSS	kg	180

Laboratory data obtained in the configuration with upper flue outlet and Piazzetta smoke duct, L 100 cm, for connection to the flue. The smoke duct is already included in the firebox package and is an integral part of the model.



CODE EURO

VERSION	NATURAL CONVECTION	
TOTAL STOVE		<b>3.660,00</b>
Firebox with cladding	BIANCO OPACO	P07240110C
	NERO OPACO	P07240120C
<b>Accessories on request</b>		
Heat Storage System (HSS) kit	P08060130C	430,00
Rear flue kit	P08060180C	110,00
Humidifier	N08019034C	35,00
Flexible pipe Ø 7,5 cm for combustion air / hot air ducting	N08011005	19,00 per linear metre



All dimensions in cm.

# WOOD-BURNING STOVES TrendLINE

## E124 A Hermetic

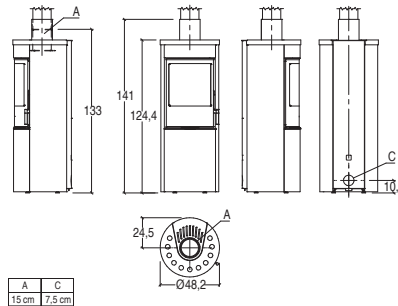
CODE EURO



VERSION	NATURAL CONVECTION	
TOTAL STOVE	<b>3.240,00</b>	
Firebox with cladding	BIANCO OPACO	P07241010C
	NERO OPACO	P07241020C
<b>Accessories on request</b>		
Humidifier	N08019034C	35,00
Flexible pipe Ø 7,5 cm for combustion air / hot air ducting	N08011005	19,00 per linear metre

### GENERAL CHARACTERISTICS

- Heating: natural convection
- Cladding / Top surface: steel / majolica
- Stove: airtight steel
- Firebox: Aluker®
- Smoke baffle plate / Brazier: Aluker® - Skamolex / cast iron
- Door / Handle: steel with self-cleaning ceramic glass resistant up to 750°C / steel and silicone
- Removable ash drawer: yes
- Standard flue outlet position: top
- Humidifier: optional
- Glass cleaning: continuous air flow
- Pre-heated primary and secondary air: adjustable
- Pre-set tertiary air: pre-heated
- Ash vacuum cleaner: optional
- Installation: wall - corner



All dimensions in cm.

### TECHNICAL DATA

• Model		E124 A
• Type		SL300-03
• Room heating capacity (min - max)	m <sup>3</sup>	120 - 210
• Nominal heat output max	kW	7,2
• Nominal thermal efficiency	%	85,1
• Nominal consumption	kg/h	1,9
• Size of wood pieces	cm	27 - 30
• Firebox opening W x H	cm	22,5 x 34,5
• Weight	kg	115

Laboratory data obtained in the configuration with upper flue outlet and Piazzetta smoke duct, L 100 cm, for connection to the flue. The smoke duct is already included in the firebox package and is an integral part of the model.



# WOOD-BURNING STOVES TrendLINE

## E124 A Hermetic BCS

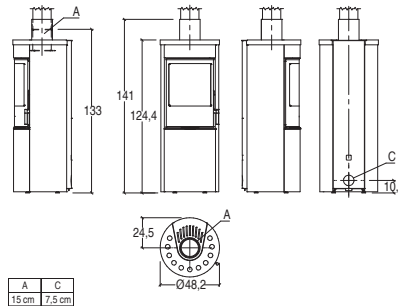
CODE EURO



VERSION	NATURAL CONVECTION	
TOTAL STOVE	<b>3.695,00</b>	
Firebox with cladding	BIANCO OPACO	P07241110C
	NERO OPACO	P07241120C
<b>Accessories on request</b>		
Humidifier	N08019034C	35,00
Flexible pipe Ø 7,5 cm for combustion air / hot air ducting	N08011005	19,00 per linear metre

### GENERAL CHARACTERISTICS

- Heating: natural convection
- Cladding / Top surface: steel / majolica
- Stove: airtight steel
- Firebox: Aluker®
- Smoke baffle plate / Brazier: Aluker® - Skamolex / cast iron
- Door / Handle: steel with self-cleaning ceramic glass resistant up to 750°C / steel and silicone
- Removable ash drawer: yes
- Standard flue outlet position: top
- Humidifier: optional
- Glass cleaning: continuous air flow
- Pre-heated primary and secondary air: electronically controlled
- Pre-set tertiary air: pre-heated
- Burn Control System: yes
- Ash vacuum cleaner: optional
- Installation: wall - corner



All dimensions in cm.

### TECHNICAL DATA

• Model		E124 A BCS
• Type		SL301-03
• Room heating capacity (min - max)	m <sup>3</sup>	120 - 210
• Nominal heat output max	kW	7,2
• Nominal thermal efficiency	%	85,3
• Nominal consumption	kg/h	1,9
• Size of wood pieces	cm	27 - 30
• Firebox opening W x H	cm	22,5 x 34,5
• Weight	kg	115

Laboratory data obtained in the configuration with upper flue outlet and Piazzetta smoke duct, L 100 cm, for connection to the flue. The smoke duct is already included in the firebox package and is an integral part of the model.



# WOOD-BURNING STOVES TrendLINE

## E128



### GENERAL CHARACTERISTICS

- Multifuoco System®: 4 speed levels, manually or automatically controlled
- Heating: optional HSS heat storage system / Natural convection / Ductable forced ventilation
- Front ventilation: adjustable air vent in the version with Multifuoco System®
- Cladding / Top surface: steel / majolica
- Stove: steel
- Firebox: Aluker®
- Smoke baffle plate / Brazier: Aluker® / cast iron
- Door / Handle: cast iron with self-cleaning ceramic glass resistant up to 750°C / steel and silicone
- Removable ash drawer: yes
- Standard flue outlet position: top or rear
- Humidifier: optional
- Glass cleaning: continuous air flow
- Primary and secondary air: adjustable
- Pre-set tertiary air: pre-heated
- HSS Storage: optional (only available on top flue version)
- Ash vacuum cleaner: optional
- Installation: wall - corner

### TECHNICAL DATA

#### Natural convection version

• Model		E128
• Type		SL31-01
• Room heating capacity (min - max)	m <sup>3</sup>	185 - 315
• Nominal heat output max	kW	11,0
• Nominal thermal efficiency	%	86,0
• Nominal consumption	kg/h	2,9
• Weight	kg	208

#### Standard on versions with MULTIFUOCO SYSTEM® or SYSTEM® PLUS

• Model		E128
• Type		SL31-03
• Room heating capacity (min - max)	m <sup>3</sup>	185 - 315
• Nominal heat output max	kW	11,0
• Nominal thermal efficiency	%	87,4
• Nominal consumption	kg/h	2,8
• Weight	kg	212

Laboratory data obtained in the configuration with upper flue outlet and Piazzetta smoke duct, L 100 cm, for connection to the flue. The smoke duct is already included in the firebox package and is an integral part of the model.



CODE EURO

VERSION	NATURAL CONVECTION	
TOTAL STOVE		<b>3.445,00</b>
Firebox with cladding	BIANCO OPACO	P07280010C
	NERO OPACO	P07280020C

CODE EURO

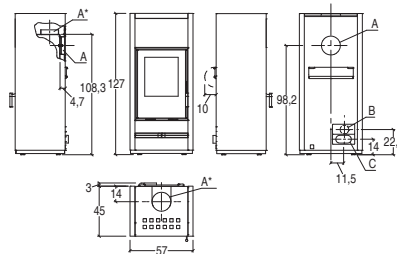
VERSION	STANDARD WITH MULTIFUOCO SYSTEM®	
TOTAL STOVE		<b>4.160,00</b>
Firebox with cladding	BIANCO OPACO	P07280310C
	NERO OPACO	P07280320C

CODE EURO

VERSION	STANDARD WITH MULTIFUOCO PLUS SYSTEM®	
TOTAL STOVE		<b>4.350,00</b>
Firebox with cladding	BIANCO OPACO	P07280410C
	NERO OPACO	P07280420C

#### Accessories on request

Heat Storage System (HSS) kit	P08061600C	380,00
Humidifier	N08019033C	35,00
Flexible pipe Ø 12 cm for combustion air	P08010360	34,00 per pack (3 metres)



A	B	C
15 cm	7,5 cm	12 cm

All dimensions in cm.

# WOOD-BURNING STOVES TrendLINE

## E128 Hermetic BCS



### GENERAL CHARACTERISTICS

- Multifuoco System®: 4 speed levels, manually or automatically controlled
- Heating: optional HSS heat storage system / Natural convection / Ductable forced ventilation
- Front ventilation: adjustable air vent in the version with Multifuoco System®
- Cladding / Top surface: steel / majolica
- Stove: airtight steel
- Firebox: Aluker®
- Smoke baffle plate / Brazier: Aluker® / cast iron
- Door / Handle: cast iron with self-cleaning ceramic glass resistant up to 750°C / steel and silicone
- Removable ash drawer: yes
- Standard flue outlet position: top or rear
- Humidifier: optional
- Glass cleaning: continuous air flow
- Pre-heated primary and secondary air: electronically controlled
- Pre-set tertiary air: pre-heated
- Burn Control System: yes
- HSS Storage: optional (only available on top flue version)
- Ash vacuum cleaner: optional
- Installation: wall - corner

### TECHNICAL DATA

#### Natural convection version

• Model		E128 BCS
• Type		SL32-01
• Room heating capacity (min - max)	m³	185 - 320
• Nominal heat output max	kW	11,1
• Nominal thermal efficiency	%	86,6
• Nominal consumption	kg/h	2,9
• Weight	kg	232
• Weight incl. HSS	kg	262

#### Standard on versions with MULTIFUOCO SYSTEM® or SYSTEM® PLUS

• Model		E128 BCS
• Type		SL32-03
• Room heating capacity (min - max)	m³	185 - 315
• Nominal heat output max	kW	11,0
• Nominal thermal efficiency	%	87,2
• Nominal consumption	kg/h	2,8
• Weight	kg	236
• Weight incl. HSS	kg	262

Laboratory data obtained in the configuration with upper flue outlet and Piazzetta smoke duct, L 100 cm, for connection to the flue. The smoke duct is already included in the firebox package and is an integral part of the model.



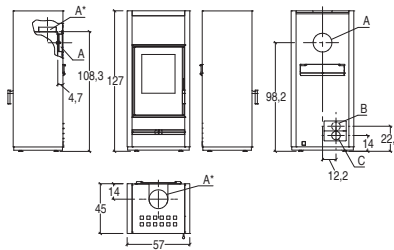
VERSION	NATURAL CONVECTION	CODE	EURO
TOTAL STOVE			<b>4.370,00</b>
Firebox with cladding	BIANCO OPACO	P07280110C	
	NERO OPACO	P07280120C	

VERSION	STANDARD WITH MULTIFUOCO PLUS SYSTEM®	CODE	EURO
TOTAL STOVE			<b>4.865,00</b>
Firebox with cladding	BIANCO OPACO	P07280210C	
	NERO OPACO	P07280220C	

Accessories on request		
Heat Storage System (HSS) kit	P08061600C	380,00
Humidifier	N08019033C	35,00
Flexible pipe Ø 7,5 cm for combustion air / hot air ducting	N08011005	19,00 per linear metre



A	B	C
15 cm	7,5 cm	7,5 cm

All dimensions in cm.



# WOOD-BURNING STOVES TrendLINE

## E128 A



### GENERAL CHARACTERISTICS

- Multifuoco System®: 4 speed levels, manually or automatically controlled
- Heating: Natural convection / Ductable forced ventilation
- Front ventilation: adjustable air vent in the version with Multifuoco System®
- Cladding / Top surface: steel / majolica
- Stove: steel
- Firebox: Aluker®
- Smoke baffle plate / Brazier: Aluker® / cast iron
- Door / Handle: cast iron with self-cleaning ceramic glass resistant up to 750°C / steel and silicone
- Removable ash drawer: yes
- Standard flue outlet position: top or rear
- Humidifier: optional
- Glass cleaning: continuous air flow
- Primary and secondary air: adjustable
- Pre-set tertiary air: pre-heated
- Ash vacuum cleaner: optional
- Installation: wall - corner

### TECHNICAL DATA

#### Natural convection version

• Model		E128 A
• Type		SL31-01
• Room heating capacity (min - max)	m <sup>3</sup>	185 - 315
• Nominal heat output max	kW	11,0
• Nominal thermal efficiency	%	86,0
• Nominal consumption	kg/h	2,9
• Weight	kg	220

#### Standard on versions with MULTIFUOCO SYSTEM® or SYSTEM® PLUS

• Model		E128 A
• Type		SL31-03
• Room heating capacity (min - max)	m <sup>3</sup>	185 - 315
• Nominal heat output max	kW	11,0
• Nominal thermal efficiency	%	87,4
• Nominal consumption	kg/h	2,8
• Weight	kg	224

Laboratory data obtained in the configuration with upper flue outlet and Piazzetta smoke duct, L 100 cm, for connection to the flue. The smoke duct is already included in the firebox package and is an integral part of the model.



CODE EURO

VERSION	NATURAL CONVECTION	
TOTAL STOVE		<b>3.565,00</b>
Firebox with cladding	BIANCO OPACO	P07281010C
	NERO OPACO	P07281020C

CODE EURO

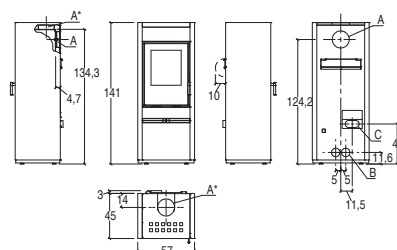
VERSION	STANDARD WITH MULTIFUOCO SYSTEM®	
TOTAL STOVE		<b>4.300,00</b>
Firebox with cladding	BIANCO OPACO	P07281310C
	NERO OPACO	P07281320C

CODE EURO

VERSION	STANDARD WITH MULTIFUOCO PLUS SYSTEM®	
TOTAL STOVE		<b>4.495,00</b>
Firebox with cladding	BIANCO OPACO	P07281410C
	NERO OPACO	P07281420C

#### Accessories on request

Humidifier	N08019033C	35,00
Flexible pipe Ø 12 cm for combustion air	P08010360	34,00 per pack (3 metres)



A	B	C
15 cm	7.5 cm	12 cm

All dimensions in cm.

# WOOD-BURNING STOVES TrendLINE

## E128 A Hermetic BCS



### GENERAL CHARACTERISTICS

- Multifuoco System®: 4 speed levels, manually or automatically controlled
- Heating: Natural convection / Ductable forced ventilation
- Front ventilation: adjustable air vent in the version with Multifuoco System®
- Cladding / Top surface: steel / majolica
- Stove: airtight steel
- Firebox: Aluker®
- Smoke baffle plate / Brazier: Aluker® / cast iron
- Door / Handle: cast iron with self-cleaning ceramic glass resistant up to 750°C / steel and silicone
- Removable ash drawer: yes
- Standard flue outlet position: top or rear
- Humidifier: optional
- Glass cleaning: continuous air flow
- Pre-heated primary and secondary air: electronically controlled
- Pre-set tertiary air: pre-heated
- Burn Control System: yes
- Ash vacuum cleaner: optional
- Installation: wall - corner

### TECHNICAL DATA

#### Natural convection version

• Model		E128 A BCS
• Type		SL32-01
• Room heating capacity (min - max)	m <sup>3</sup>	185 - 320
• Nominal heat output max	kW	11,1
• Nominal thermal efficiency	%	86,6
• Nominal consumption	kg/h	2,9
• Weight	kg	238

#### Standard on versions with MULTIFUOCO SYSTEM® or SYSTEM® PLUS

• Model		E128 A BCS
• Type		SL32-03
• Room heating capacity (min - max)	m <sup>3</sup>	185 - 315
• Nominal heat output max	kW	11,0
• Nominal thermal efficiency	%	87,2
• Nominal consumption	kg/h	2,8
• Weight	kg	242

Laboratory data obtained in the configuration with upper flue outlet and Piazzetta smoke duct, L 100 cm, for connection to the flue. The smoke duct is already included in the firebox package and is an integral part of the model.



CODE EURO

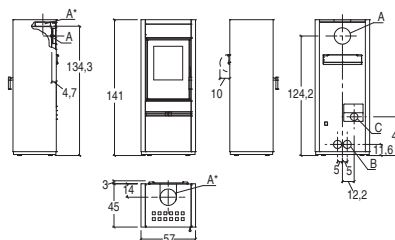
VERSION	NATURAL CONVECTION	
TOTAL STOVE		<b>4.500,00</b>
Firebox with cladding	BIANCO OPACO	P07281110C
	NERO OPACO	P07281120C

CODE EURO

VERSION	STANDARD WITH MULTIFUOCO PLUS SYSTEM®	
TOTAL STOVE		<b>5.020,00</b>
Firebox with cladding	BIANCO OPACO	P07281210C
	NERO OPACO	P07281220C

#### Accessories on request

Humidifier	N08019033C	35,00
Flexible pipe Ø 7,5 cm for combustion air / hot air ducting	N08011005	19,00 per linear metre



A	B	C
15 cm	7,5 cm	7,5 cm

All dimensions in cm.

# WOOD-BURNING STOVES TrendLINE

## E129 M Hermetic



### GENERAL CHARACTERISTICS

- Multifuoco System®: 4 speed levels, manually or automatically controlled
- Heating: Natural convection / Ductable forced ventilation
- Front ventilation: adjustable air vent in the version with Multifuoco System®
- Cladding / Top surface: steel / majolica
- Stove: airtight steel
- Firebox: Aluker®
- Smoke baffle plate / Brazier: Aluker® - Skamolex / cast iron
- Door / Handle: steel with self-cleaning ceramic glass resistant up to 750°C / steel and silicone
- Removable ash drawer: yes
- Standard flue outlet position: top or rear
- Humidifier: optional
- Glass cleaning: continuous air flow
- Pre-heated primary and secondary air: adjustable
- Pre-set tertiary air: pre-heated
- Ash vacuum cleaner: optional
- Installation: wall - corner

### TECHNICAL DATA

#### Natural convection version

• Model		E129 M
• Type		SL310-04
• Room heating capacity (min - max)	m <sup>3</sup>	135 - 230
• Nominal heat output max	kW	7,9
• Nominal thermal efficiency	%	85,7
• Nominal consumption	kg/h	2,2
• Weight	kg	153

#### Standard on versions with MULTIFUOCO SYSTEM® or SYSTEM® PLUS

• Model		E129 M
• Type		SL310-08
• Room heating capacity (min - max)	m <sup>3</sup>	135 - 230
• Nominal heat output max	kW	7,9
• Nominal thermal efficiency	%	85,7
• Nominal consumption	kg/h	2,2
• Weight	kg	170

Laboratory data obtained in the configuration with upper flue outlet and Piazzetta smoke duct, L 100 cm, for connection to the flue. The smoke duct is already included in the firebox package and is an integral part of the model.



CODE EURO

VERSION	NATURAL CONVECTION	
TOTAL STOVE		<b>3.540,00</b>
Firebox with cladding	BIANCO OPACO	P07290010C
	NERO OPACO	P07290020C

CODE EURO

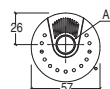
VERSION	STANDARD WITH MULTIFUOCO SYSTEM®	
TOTAL STOVE		<b>4.530,00</b>
Firebox with cladding	BIANCO OPACO	P07290310C
	NERO OPACO	P07290320C

CODE EURO

VERSION	STANDARD WITH MULTIFUOCO PLUS SYSTEM®	
TOTAL STOVE		<b>4.730,00</b>
Firebox with cladding	BIANCO OPACO	P07290410C
	NERO OPACO	P07290420C

#### Accessories on request

Humidifier	N08019035C	35,00
Flexible pipe Ø 7,5 cm for combustion air / hot air ducting	N08011005	19,00 per linear metre



A	B	C
15 cm	7,5 cm	7,5 cm

All dimensions in cm.

# WOOD-BURNING STOVES TrendLINE

## E129 M Hermetic BCS



### GENERAL CHARACTERISTICS

- Multifuoco System®: 4 speed levels, manually or automatically controlled
- Heating: Natural convection / Ductable forced ventilation
- Front ventilation: adjustable air vent in the version with Multifuoco System®
- Cladding / Top surface: steel / majolica
- Stove: airtight steel
- Firebox: Aluker®
- Smoke baffle plate / Brazier: Aluker® - Skamolex / cast iron
- Door / Handle: steel with self-cleaning ceramic glass resistant up to 750°C / steel and silicone
- Removable ash drawer: yes
- Standard flue outlet position: top or rear
- Humidifier: optional
- Glass cleaning: continuous air flow
- Pre-heated primary and secondary air: electronically controlled
- Pre-set tertiary air: pre-heated
- Burn Control System: yes
- Ash vacuum cleaner: optional
- Installation: wall - corner

### TECHNICAL DATA

#### Natural convection version

• Model		E129 M BCS
• Type		SL311-04
• Room heating capacity (min - max)	m <sup>3</sup>	130 - 225
• Nominal heat output max	kW	7,8
• Nominal thermal efficiency	%	87,6
• Nominal consumption	kg/h	2,1
• Weight	kg	163

#### Standard on versions with MULTIFUOCO SYSTEM® or SYSTEM® PLUS

• Model		E129 M BCS
• Type		SL311-08
• Room heating capacity (min - max)	m <sup>3</sup>	130 - 225
• Nominal heat output max	kW	7,8
• Nominal thermal efficiency	%	87,6
• Nominal consumption	kg/h	2,1
• Weight	kg	183

Laboratory data obtained in the configuration with upper flue outlet and Piazzetta smoke duct, L 100 cm, for connection to the flue. The smoke duct is already included in the firebox package and is an integral part of the model.



CODE EURO

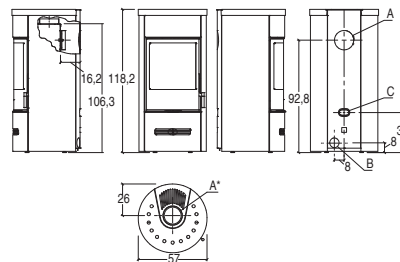
VERSION	NATURAL CONVECTION	
TOTAL STOVE		<b>4.170,00</b>
Firebox with cladding	BIANCO OPACO	P07290110C
	NERO OPACO	P07290120C

CODE EURO

VERSION	STANDARD WITH MULTIFUOCO PLUS SYSTEM®	
TOTAL STOVE		<b>4.835,00</b>
Firebox with cladding	BIANCO OPACO	P07290210C
	NERO OPACO	P07290220C

#### Accessories on request

Humidifier	N08019035C	35,00
Flexible pipe Ø 7,5 cm for combustion air / hot air ducting	N08011005	19,00 per linear metre




A	B	C
15 cm	7,5 cm	7,5 cm

All dimensions in cm.


# WOOD-BURNING STOVES - HERMETIC - BCS - WITH OVEN - QUBE

## Accessories




### MULTIFUOCO SYSTEM®

ITEM	COMPATIBLE MODELS	CODE	EURO
 Multifuoco System®	E520 - E520 C - E520 STEEL	P08027800C	780,00
	E520 T STEEL	P08027810C	780,00
	E530 - E530 C - E530 STEEL	P08027820C	780,00
	E530 T STEEL	P08027830C	780,00
	Series E929 Hermetic - ROUND Hermetic	P08027400C	725,00
	BONNY - THELMA	P08020720C	735,00
	Series E928	P08020410C	725,00
	E900 M	P08020170C	725,00
	Series QUBE	P08020340C	650,00

### MULTIFUOCO SYSTEM PLUS

ITEM	COMPATIBLE MODELS	CODE	EURO
 Multifuoco System Plus	Series E929 Hermetic - ROUND Hermetic	P08027420C	895,00
	Series E929 Hermetic BCS - ROUND Hermetic BCS	P08027410C	455,00
	Series E928 Hermetic BCS	P08020700C	455,00
	BONNY - THELMA	P08020730C	910,00
	Series E928	P08020500C	895,00
	E900 M	P08020510C	905,00
	Series QUBE	P08020420C	835,00

### HSS HEAT STORAGE SYSTEM - HEAT EXTENDER SYSTEM - CONVECTIVE HOT AIR ADJUSTER KIT

ITEM	WEIGHT	COMPATIBLE MODELS	CODE	EURO	
Heat Extender System	-	E520 - E520 C E520 STEEL - E520 T STEEL	P08063500C	625,00	
	-	E530 - E530 C E530 STEEL - E530 T STEEL	P08063510C	625,00	
	30 kg	CIRCLE Hermetic - CIRCLE Hermetic BCS E924 Hermetic - E924 Hermetic BCS E924 M Hermetic - E924 M Hermetic BCS E124 Hermetic - E124 Hermetic BCS	P08060130C	430,00	
 HSS kit	70 kg	E924-H Hermetic - E924-H Hermetic BCS E924 A-H Hermetic - E924 A-H Hermetic BCS	P08060140C	710,00	
	44 kg	E928 - E928 Hermetic BCS E128 - E128 Hermetic BCS	P08061600C	380,00	
	53 kg	E928 C - E928 C Hermetic BCS	P08061630C	550,00	
	261 kg	E928 C-H - E928 C-H Hermetic BCS	P08061650C	2.385,00	
	166 kg	E928 C-M - E928 C-M Hermetic BCS	P08061640C	1.430,00	
	244 kg	E928-H - E928-H Hermetic BCS	P08061620C	1.965,00	
	87 kg	E928-M - E928-M Hermetic BCS	P08061610C	750,00	
	 HSS kit	50 kg	E929 C Hermetic - E929 C Hermetic BCS	P08019020C	550,00
		216 kg	E929 C-H Hermetic - E929 C-H Hermetic BCS	P08019050C	1.665,00
		166 kg	E929 D-H Hermetic - E929 D-H Hermetic BCS E929 M-H Hermetic - E929 M-H Hermetic BCS	P08019010C	1.165,00
67 kg		E929 T Hermetic - E929 T Hermetic BCS	P08019030C	685,00	
34 kg		ROUND-M Hermetic - ROUND-M Hermetic BCS	P08019040C	550,00	
 Convective hot air adjustment kit	133 kg	ROUND-H Hermetic - ROUND-H Hermetic BCS	P08019060C	1.030,00	
	-	E929 D-H Hermetic - E929 D-H Hermetic BCS E929 M-H Hermetic - E929 M-H Hermetic BCS	P08060280C	425,00	
	-	E929 T Hermetic - E929 T Hermetic BCS	P08060290C	330,00	
	-	ROUND-M Hermetic - ROUND-M Hermetic BCS ROUND-H Hermetic - ROUND-H Hermetic BCS	P08060300C	330,00	
	-	E929 C Hermetic - E929 C Hermetic BCS E929 C-H Hermetic - E929 C-H Hermetic BCS	P08060740C	330,00	

# WOOD-BURNING STOVES - HERMETIC - BCS - WITH OVEN - QUBE

## Accessories







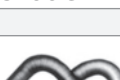
### ACCESSORIES FOR HOT AIR DUCTING

ITEM	DIMENSIONS IN CM	UNITS PER PACK	CODE	EURO
 Rear hot air ducting union kit for E929 C - E929 C-H		1	P08060800C	80,00
 Rear air vent kit E928 C - E928 C-H - E928 C-M		1	P08061390C	235,00
 Aluminium Y connector for wood-burning stoves E520 - E530	Ø 7,5	10	N08011016	27,00
 Flexible aluminium pipe <sup>[1]</sup>	Ø 7,5	linear metre	N08011005	19,00 per linear metre
 Aluminium Y connector for wood-burning stoves <sup>[2]</sup>	Ø 7,5	10	N08011006	30,00
 90° aluminium bend	Ø 7,5	10	N08011007	30,00
 Pipe clamp	Ø 7,5	50	N08011008	5,00
 Connector sleeve	Ø 7,5	50	N08011009	10,00






[1] Available in 30 meter roll, minimum order quantity: 1 meter.

[2] For connecting the Multifuoco System fan of all wood stove models to the flex pipe for ducting hot air. Can also be used for branching the hot air ducts.

### AIR VENTS

ITEM	DIMENSIONS IN CM	UNITS PER PACK	CODE	EURO
 Air vent with closure, enamelled white	L 25 x H 12 Ø 7,5	10	N08011001	58,00
 Wall air vent with closure, enamelled white	L 25 x H 11 Ø 7,5	6	N08011002	83,00
 Wall air vent, blasted steel	L 22 x H 5 Ø 7,5	1	NI08012400-0	154,00
 Wall air vent, black enamelled steel	L 22 x H 5 Ø 7,5	1	NI08014190-0	115,00
 Wall air vent, white enamelled steel	L 22 x H 5 Ø 7,5	1	NI08014400-0	115,00
 Air vent without closure, made of white-painted steel	L 9,5 x H 9,5 Ø 7,0	1	N08011003	64,00
 Air vent with closure, made of white-painted steel	L 9,5 x H 9,5 Ø 7,0	1	N08011004	70,00


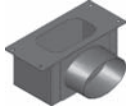






### ACCESSORIES FOR BURN CONTROL SYSTEM

ITEM	DIMENSIONS IN CM	UNITS PER PACK	CODE	EURO
 Flexible aluminium pipe for BCS connection	Ø 7,5	linear metre	N08011005	19,00 per linear metre
 90° Aluminium bend connector for BCS	Ø 7,5	10	N08011007	30,00
 Clamp for BCS	Ø 7,5	50	N08011008	5,00
 Connector sleeve for BCS	Ø 7,5	50	N08011009	10,00
 Aeration grille with spring for wall hole Ø 6,0 - 7,5 cm	Ø 6,0 - 7,5 cm	1	N08010014	5,00


# WOOD-BURNING STOVES - HERMETIC - BCS - WITH OVEN - QUBE

## Accessories




### COMBUSTION AIR KIT AND ACCESSORIES

ITEM	COMPATIBLE MODELS	CODE	EURO
 Combustion air kit	Series E928	P08061410C	185,00
 Combustion air kit for cladding for rear flue outlet and non-rotating stove base	Series E924 Hermetic - Series E924 Hermetic BCS CIRCLE - E924-H - E924 A-H excluded	P08060200C	180,00
 Combustion air kit for cladding for upper flue outlet and rotating stove base	Series E924 Hermetic - Series E924 Hermetic BCS CIRCLE Hermetic - CIRCLE Hermetic BCS	P08060220C	85,00
 Wall combustion air pipe cover kit for non-rotating stove base	CIRCLE Hermetic - CIRCLE Hermetic BCS	P08060820C	90,00
 Flexible aluminium pipe Ø 7,5 cm for combustion air	All models excluded Series E928 - E128	N08011005	19,00 per linear metre
 Flexible aluminium pipe Ø 12 cm for combustion air	Series E928 - E128	P08010360	34,00 per pack (3 metres)
 Aeration grille with spring for wall hole Ø 6,0 - 7,5 cm	All models excluded Series E928 - E128	N08010014	5,00
 Aeration grille with spring for wall hole Ø 12,0 - 15,0 cm	Series E928 - E128	N08010015	5,00

### EXTERNAL AIR INTAKE GRILLE

ITEM	COMPATIBLE MODELS	CODE	EURO
 White painted adjustable external air intake grille 17,5 x 27,5 cm with manual control	All models	N08010007	39,00

### OPTIONAL FLUE OUTLET KIT

ITEM	COMPATIBLE MODELS	CODE	EURO
 Rear flue kit E124/E924/E924 M/CIRCLE	CIRCLE Hermetic - CIRCLE Hermetic BCS E924 Hermetic - E924 Hermetic BCS E924 M Hermetic - E924 M Hermetic BCS E124 Hermetic - E124 Hermetic BCS	P08060180C	110,00
 Rear flue outlet coupling	QUBE 3 - QUBE 4	P08017600	109,00
 Rear hot air ducting union kit	E929 C Hermetic - E929 C Hermetic BCS E929 C-H Hermetic - E929 C-H Hermetic BCS	P08060800C	80,00

### HUMIDIFIER

ITEM	COMPATIBLE MODELS	CODE	EURO
Humidifier for Trend Line series	Series E124	N08019034C	35,00
	Series E128	N08019033C	35,00
	Series E129	N08019035C	35,00





# WOOD-BURNING STOVES - HERMETIC - BCS - WITH OVEN - QUBE

## Accessories






### ASH VACUUM CLEANER

ITEM	COMPATIBLE MODELS	CODE	EURO
 Ash vacuum cleaner	All models	N08019040C	100,00

### FLOOR PROTECTION

ITEM	COMPATIBLE MODELS	DIMENSIONS IN CM	CODE	EURO
 Rectangular steel floor plate	All models	100x120	P08024300C	325,00
 Round edged steel floor plate	All models	100x120	P08024310C	325,00










### For all models excluding E900 M CON FORNO

ITEM	DIMENSIONS IN CM	Ø MM	CODE	EURO
 Pipe	L 25	150	P08025020	50,00
	L 50	150	P08025050	70,00
	L 100	150	P08025080	109,00
 Pipe with damper	L 50	150	P08025100	89,00
	L 100	150	P08025140	128,00
 Bend 90° (2x45°) with inspection	L 32 x H 32	150	P08025200	96,00
 Bend 45° with inspection	L 25 x H 30	150	P08025230	89,00
 Bend 45°	L 17 x H 17	150	P08025260	70,00
 Bend 90° (2x45°) w/damper and inspection	L 70 x H 45	150	P08025170	198,00
 Wall connector		150	P08025290	16,00
 Damper		150	P08025350	50,00
 Flue ring		150	P08025320	39,00

# WOOD-BURNING STOVES - HERMETIC - BCS - WITH OVEN - QUBE

## Accessories

For E900 M CON FORNO

ITEM	DIMENSIONS IN CM	Ø MM	CODE	EURO
	L 25	180	P08025030	58,00
	L 50	180	P08025060	78,00
	L 100	180	P08025090	116,00
	L 50	180	P08025110	89,00
	L 100	180	P08025150	133,00
	L 32 x H 32	180	P08025210	109,00
	L 25 x H 30	180	P08025240	96,00
	L 17 x H 17	180	P08025270	78,00
	L 70 x H 45	180	P08025180	211,00
	-	180	P08025300	54,00
	-	180	P08025360	58,00
	-	180	P08025330	44,00

## STUBOTTO - WOOD-BURNING

Data charts . . . . .	250
BRUNICO . . . . .	252
BRUNICO BCS . . . . .	253
CANAZEI . . . . .	254
CANAZEI BCS . . . . .	255
ORTISEI . . . . .	256
ORTISEI BCS . . . . .	257
STUBOTTO C . . . . .	258
Accessories . . . . .	259

# WOOD-BURNING STUBOTTO

## Data charts



Technical data	Units	BRUNICO	BRUNICO BCS
Forced ventilation		-	-
Optional Forced air		yes	yes
Ductable		yes	yes
Natural convection		yes	yes
Airtight		-	yes
Oven		-	-
Model		BRUNICO	BRUNICO BCS
Type		SL31-01	SL32-01
Energy efficiency class		A+	A+
Room heating capacity *	m <sup>3</sup>	185 - 315	185 - 320
Nominal heat output	kW	5,5 - 11,0	5,5 - 11,1
Nominal thermal efficiency	%	83,1 - 86,0	84,8 - 86,6
Nominal consumption	kg/h	1,5 - 2,9	1,4 - 2,9
Standard flue outlet Ø	cm	15	15
Dimensions W x D x H	cm	73 x 58 x 145,7	73 x 58 x 145,7
Size of wood pieces	cm	37 - 40	37 - 40
Firebox opening W x H	cm	33 x 39,5	33 x 39,5
Weight	kg	272	280
Weight with steel support	kg	-	-
Weight with marble support	kg	-	-
Optional bench in wood weight	kg	-	-
Oven W x D x H	cm	-	-
Heating		Multifuoco System® with 4 speed levels, optional. Ductable hot air / Natural convection	Multifuoco System Plus with 4 speed levels, optional. Ductable hot air / Natural convection
Front ventilation		directional air vent	directional air vent
Cladding		majolica	majolica
Stove		steel	airtight, steel
Firebox		Aluiker®	Aluiker®
Smoke baffle plate / Brazier		Aluiker® / cast iron	Aluiker® / cast iron
Door / Handle		cast iron with self-cleaning ceramic glass resistant up to 750°C / steel and silicone	cast iron with self-cleaning ceramic glass resistant up to 750°C / steel and silicone
Ceramic glass		-	-
Removable ash drawer		yes	yes
Removable ash tray		-	-
Oven		-	-
Standard flue outlet position		top or rear (anticondensation intalation standard on top flue version)	top or rear (anticondensation intalation standard on top flue version)
Primary and secondary air		adjustable	electronically controlled - pre-heated
Pre-set tertiary air		pre-heated	pre-heated
Glass cleaning system		continuous air flow	continuous air flow
Forced convection kit		-	-
Combustion air kit		optional	-
Ash vacuum cleaner		optional	optional
Installation		wall - corner	wall - corner

\* Calculated on the basis of nominal heat output, referring to rooms with a heating requirement between 0.060 and 0.035 kW per m<sup>3</sup>. We recommend always contacting a heating engineer for the final calculations.

# WOOD-BURNING STUBOTTO

## Data charts



CANAZEI	CANAZEI BCS	ORTISEI	ORTISEI BCS	STUBOTTO C
-	-	-	-	-
yes	yes	yes	yes	yes
yes	yes	yes	yes	yes
yes	yes	yes	yes	yes
-	yes	-	yes	-
-	-	-	-	-
CANAZEI	CANAZEI BCS	ORTISEI	ORTISEI BCS	STUBOTTO C
SL31-01	SL32-01	SL31-01	SL32-01	SL150-01
A+	A+	A+	A+	A
185 - 315	185 - 320	185 - 315	185 - 320	185 - 315
5,5 - 11,0	5,5 - 11,1	5,5 - 11,0	5,5 - 11,1	5,3 - 11,0
83,1 - 86,0	84,8 - 86,6	83,1 - 86,0	84,8 - 86,6	81,0 - 80,0
1,5 - 2,9	1,4 - 2,9	1,5 - 2,9	1,4 - 2,9	1,4 - 3,1
15	15	15	15	18
75 x 59 x 146,2	75 x 59 x 146,2	100 x 58 x 146,7	100 x 58 x 146,7	91,5 x 58 x 151
37 - 40	37 - 40	37 - 40	37 - 40	52 - 55
33 x 39,5	33 x 39,5	33 x 39,5	33 x 39,5	56,5 x 44,5
288	290	327	340	312
-	-	-	-	-
-	-	-	-	-
-	-	-	-	-
Multifuoco System® with 4 speed levels, optional. Ductable hot air / Natural convection directional air vent	Multifuoco System Plus with 4 speed levels, optional. Ductable hot air / Natural convection directional air vent	Multifuoco System® with 4 speed levels, optional. Ductable hot air / Natural convection directional air vent	Multifuoco System Plus with 4 speed levels, optional. Ductable hot air / Natural convection directional air vent	Multifuoco System® with 4 speed levels, optional. Ductable hot air / Natural convection air vent
majolica	majolica	majolica	majolica	majolica
steel	airtight, steel	steel	airtight, steel	steel
Aluker®	Aluker®	Aluker®	Aluker®	Aluker®
Aluker® / cast iron	Aluker® / cast iron	Aluker® / cast iron	Aluker® / cast iron	Aluker® / Aluker®
cast iron with self-cleaning ceramic glass resistant up to 750°C / steel and silicone	cast iron with self-cleaning ceramic glass resistant up to 750°C / steel and silicone	cast iron with self-cleaning ceramic glass resistant up to 750°C / steel and silicone	cast iron with self-cleaning ceramic glass resistant up to 750°C / steel and silicone	painting steel with self-cleaning ceramic glass resistant up to 750°C / detachable
-	-	-	-	-
yes	yes	yes	yes	-
-	-	-	-	-
-	-	-	-	-
top or rear (anticondensation intalation standard on top flue version)	top or rear (anticondensation intalation standard on top flue version)	top or rear (anticondensation intalation standard on top flue version)	top or rear (anticondensation intalation standard on top flue version)	top
adjustable	electronically controlled - pre-heated	adjustable	electronically controlled - pre-heated	manually adjustable
pre-heated	pre-heated	pre-heated	pre-heated	pre-heated
continuous air flow	continuous air flow	continuous air flow	continuous air flow	continuous air flow
-	-	-	-	-
optional	-	optional	-	optional
optional	optional	optional	optional	optional
wall - corner	wall - corner	wall - corner	wall - corner	wall - corner

Data obtained using beech wood with moisture content below 16%. Consumption varies according to the type of wood used.

# STUBOTTO - WOOD-BURNING

## BRUNICO



### GENERAL CHARACTERISTICS

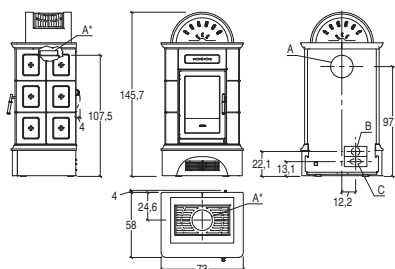
- Heating: Multifuoco System® with 4 speed levels, optional. Ductable hot air / Natural convection
- Front ventilation: directional air vent
- Cladding / Top surface: majolica / majolica
- Stove: steel
- Firebox: Aluker®
- Smoke baffle plate / Brazier: Aluker® / cast iron
- Door / Handle: cast iron with self-cleaning ceramic glass resistant up to 750°C / steel and silicone
- Removable ash drawer: yes
- Standard flue position: top or rear (anti-condensation installation, standard on top flue version)
- Glass cleaning: continuous air flow
- Primary and secondary air: adjustable
- Pre-set tertiary air: pre-heated
- Combustion air kit: optional
- Ash vacuum cleaner: optional
- Installation: wall - corner

### TECHNICAL DATA

• Model		BRUNICO
• Type		SL31-01
• Room heating capacity (min - max)	m <sup>3</sup>	185 - 315
• Nominal heat output (min - max)	kW	5,5 - 11,0
• Nominal thermal efficiency (min - max)	%	83,1 - 86,0
• Nominal consumption (min - max)	kg/h	1,5 - 2,9
• Size of wood pieces	cm	37 - 40
• Firebox opening W x H	cm	33 x 39,5
• Weight	kg	272



		CODE	EURO
<b>TOTAL PRICE</b>			<b>5.410,00</b>
Cladding	Dome, sides and surrounds Bianco	P15090300C	1.810,00
	Dome Bianco Antico, sides and surrounds Blu Verdemare	P15090113C	1.810,00
	Dome Bianco Antico, sides and surrounds Canapa	P15090353C	1.810,00
	Dome Bianco Antico, sides and surrounds Terra Bruna	P15090323C	1.810,00
	Dome Bianco Antico, sides and surrounds Verde Mirto	P15090253C	1.810,00
<b>TOTAL PRICE</b>			<b>5.800,00</b>
Cladding	Dome and sides Bianco Antico. Surrounds, side and dome decorations Blu Verdemare	P15090112C	2.200,00
	Dome and sides Bianco Antico. Surrounds, side and dome decorations Canapa	P15090352C	2.200,00
	Dome and sides Bianco Antico. Surrounds, side and dome decorations Terra Bruna	P15090322C	2.200,00
	Dome and sides Bianco Antico. Surrounds, side and dome decorations Verde Mirto	P15090252C	2.200,00
Stove	Wood-burning firebox SL30	P07030000C	3.485,00
Essential kit	Top kit element (necessary for installation)	P08015450C	115,00
<b>Accessories on request</b>			
	Multifuoco System® single	P08020410C	725,00
	Multifuoco System Plus single	P08020500C	895,00
	Combustion air kit	P08061410C	185,00
	Flexible pipe Ø 12 cm for combustion air	P08010360C	34,00 per pack (3 metres)



A	B	C
15 cm	7.5 cm	12 cm

All dimensions in cm.

# STUBOTTO - WOOD-BURNING

## BRUNICO BCS



### GENERAL CHARACTERISTICS

- Heating: Multifuoco System Plus with 4 speed levels, optional. Ductable hot air / Natural convection
- Front ventilation: directional air vent
- Cladding / Top surface: majolica / majolica
- Stove: airtight steel
- Firebox: Aluker®
- Smoke baffle plate / Brazier: Aluker® / cast iron
- Door / Handle: cast iron with self-cleaning ceramic glass resistant up to 750°C / steel and silicone
- Removable ash drawer: yes
- Standard flue position: top or rear (anti-condensation installation, standard on top flue version)
- Glass cleaning: continuous air flow
- Primary and secondary air: electronically controlled - pre-heated
- Pre-set tertiary air: pre-heated
- Ash vacuum cleaner: optional
- Installation: wall - corner

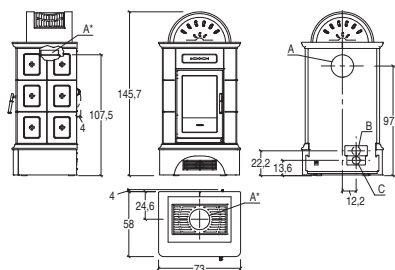
### TECHNICAL DATA

- Model
- Type
- Room heating capacity (min - max)
- Nominal heat output (min - max)
- Nominal thermal efficiency (min - max)
- Nominal consumption (min - max)
- Size of wood pieces
- Firebox opening W x H
- Weight

BRUNICO BCS	
SL32-01	
Room heating capacity (min - max)	m <sup>3</sup> 185 - 320
Nominal heat output (min - max)	kW 5,5 - 11,1
Nominal thermal efficiency (min - max)	% 84,8 - 86,6
Nominal consumption (min - max)	kg/h 1,4 - 2,9
Size of wood pieces	cm 37 - 40
Firebox opening W x H	cm 33 x 39,5
Weight	kg 280



		CODE	EURO
<b>TOTAL PRICE</b>			<b>6.465,00</b>
Cladding	Dome, sides and surrounds Bianco	P15090300C	1.810,00
	Dome Bianco Antico, sides and surrounds Blu Verdemare	P15090113C	1.810,00
	Dome Bianco Antico, sides and surrounds Canapa	P15090353C	1.810,00
	Dome Bianco Antico, sides and surrounds Terra Bruna	P15090323C	1.810,00
	Dome Bianco Antico, sides and surrounds Verde Mirto	P15090253C	1.810,00
<b>TOTAL PRICE</b>			<b>6.855,00</b>
Cladding	Dome and sides Bianco Antico. Surrounds, side and dome decorations Blu Verdemare	P15090112C	2.200,00
	Dome and sides Bianco Antico. Surrounds, side and dome decorations Canapa	P15090352C	2.200,00
	Dome and sides Bianco Antico. Surrounds, side and dome decorations Terra Bruna	P15090322C	2.200,00
	Dome and sides Bianco Antico. Surrounds, side and dome decorations Verde Mirto	P15090252C	2.200,00
Stove	Firebox SL30 Ermetico Burn Control System	P07030100C	4.540,00
Essential kit	Top kit element (necessary for installation)	P08015450C	115,00
<b>Accessories on request</b>			
	Multifuoco System Plus single	P08020700C	455,00
	Flexible pipe Ø 7,5 cm for combustion air / hot air ducting	N08011005	19,00 per linear metre



A	B	C
16 cm	75 cm	75 cm

All dimensions in cm.



# STUBOTTO - WOOD-BURNING

## CANAZEI



### GENERAL CHARACTERISTICS

- Heating: Multifuoco System® with 4 speed levels, optional. Ductable hot air / Natural convection
- Front ventilation: directional air vent
- Cladding / Top surface: majolica / majolica
- Stove: steel
- Firebox: Aluker®
- Smoke baffle plate / Brazier: Aluker® / cast iron
- Door / Handle: cast iron with self-cleaning ceramic glass resistant up to 750°C / steel and silicone
- Removable ash drawer: yes
- Standard flue position: top or rear (anti-condensation installation, standard on top flue version)
- Glass cleaning: continuous air flow
- Primary and secondary air: adjustable
- Pre-set tertiary air: pre-heated
- Combustion air kit: optional
- Ash vacuum cleaner: optional
- Installation: wall - corner

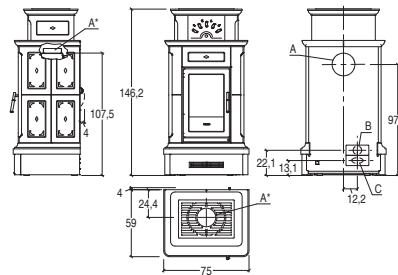
### TECHNICAL DATA

- Model
- Type
- Room heating capacity (min - max) m<sup>3</sup>
- Nominal heat output (min - max) kW
- Nominal thermal efficiency (min - max) %
- Nominal consumption (min - max) kg/h
- Size of wood pieces cm
- Firebox opening W x H cm
- Weight kg

CANAZEI	
Model	SL31-01
Type	185 - 315
Room heating capacity (min - max) m <sup>3</sup>	5,5 - 11,0
Nominal heat output (min - max) kW	83,1 - 86,0
Nominal thermal efficiency (min - max) %	1,5 - 2,9
Nominal consumption (min - max) kg/h	37 - 40
Size of wood pieces cm	33 x 39,5
Firebox opening W x H cm	288
Weight kg	



		CODE	EURO
<b>TOTAL PRICE</b>			<b>5.615,00</b>
Cladding	Dome, sides and surrounds Bianco	P15091300C	2.015,00
	Dome, sides and surrounds Blu Verdemare	P15091110C	2.015,00
	Dome, sides and surrounds Canapa	P15091350C	2.015,00
	Dome, sides and surrounds Terra Bruna	P15091320C	2.015,00
	Dome, sides and surrounds Verde Mirto	P15091250C	2.015,00
<b>TOTAL PRICE</b>			<b>6.010,00</b>
Cladding	Dome, sides and surrounds Bianco Antico. Side and dome decorations Verdemare	P15091114C	2.410,00
	Dome, sides and surrounds Bianco Antico. Side and dome decorations Canapa	P15091354C	2.410,00
	Dome, sides and surrounds Bianco Antico. Side and dome decorations Terra Bruna	P15091324C	2.410,00
	Dome, sides and surrounds Bianco Antico. Side and dome decorations Verde Mirto	P15091254C	2.410,00
	Stove	Wood-burning firebox SL30	P07030000C
Essential kit	Top kit element (necessary for installation)	P08015460C	115,00
<b>Accessories on request</b>			
	Multifuoco System® single	P08020410C	725,00
	Multifuoco System Plus single	P08020500C	895,00
	Combustion air kit	P08061410C	185,00
	Flexible pipe Ø 12 cm for combustion air	P08010360C	34,00 per pack (3 metres)



A	B	C
15 cm	7.5 cm	12 cm

All dimensions in cm.

# STUBOTTO - WOOD-BURNING

## CANAZEI BCS



### GENERAL CHARACTERISTICS

- Heating: Multifuoco System Plus with 4 speed levels, optional. Ductable hot air / Natural convection
- Front ventilation: directional air vent
- Cladding / Top surface: majolica / majolica
- Stove: airtight steel
- Firebox: Aluker®
- Smoke baffle plate / Brazier: Aluker® / cast iron
- Door / Handle: cast iron with self-cleaning ceramic glass resistant up to 750°C / steel and silicone
- Removable ash drawer: yes
- Standard flue position: top or rear (anti-condensation installation, standard on top flue version)
- Glass cleaning: continuous air flow
- Primary and secondary air: electronically controlled - pre-heated
- Pre-set tertiary air: pre-heated
- Ash vacuum cleaner: optional
- Installation: wall - corner

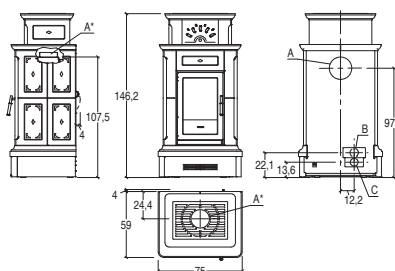
### TECHNICAL DATA

- Model
- Type
- Room heating capacity (min - max)
- Nominal heat output (min - max)
- Nominal thermal efficiency (min - max)
- Nominal consumption (min - max)
- Size of wood pieces
- Firebox opening W x H
- Weight

		CANAZEI BCS
		SL32-01
	m <sup>3</sup>	185 - 320
	kW	5,5 - 11,1
	%	84,8 - 86,6
	kg/h	1,4 - 2,9
	cm	37 - 40
	cm	33 x 39,5
	kg	290



		CODE	EURO
<b>TOTAL PRICE</b>			<b>6.670,00</b>
Cladding	Dome, sides and surrounds Bianco	P15091300C	2.015,00
	Dome, sides and surrounds Blu Verdemare	P15091110C	2.015,00
	Dome, sides and surrounds Canapa	P15091350C	2.015,00
	Dome, sides and surrounds Terra Bruna	P15091320C	2.015,00
	Dome, sides and surrounds Verde Mirto	P15091250C	2.015,00
<b>TOTAL PRICE</b>			<b>7.065,00</b>
Cladding	Dome, sides and surrounds Bianco Antico. Side and dome decorations Blu Verdemare	P15091114C	2.410,00
	Dome, sides and surrounds Bianco Antico. Side and dome decorations Canapa	P15091354C	2.410,00
	Dome, sides and surrounds Bianco Antico. Side and dome decorations Terra Bruna	P15091324C	2.410,00
	Dome, sides and surrounds Bianco Antico. Side and dome decorations Verde Mirto	P15091254C	2.410,00
	Stove	Firebox SL30 Ermetico Burn Control System	P07030100C
Essential kit	Top kit element (necessary for installation)	P08015460C	115,00
<b>Accessories on request</b>			
	Multifuoco System Plus single	P08020700C	455,00
	Flexible pipe Ø 7,5 cm for combustion air / hot air ducting	N08011005	19,00 per linear metre



A	B	C
15 cm	7,5 cm	7,5 cm

All dimensions in cm.

# STUBOTTO - WOOD-BURNING

## ORTISEI



### GENERAL CHARACTERISTICS

- Heating: Multifuoco System® with 4 speed levels, optional. Ductable hot air / Natural convection
- Front ventilation: directional air vent
- Cladding / Top surface: majolica / majolica
- Stove: steel
- Firebox: Aluker®
- Smoke baffle plate / Brazier: Aluker® / cast iron
- Door / Handle: cast iron with self-cleaning ceramic glass resistant up to 750°C / steel and silicone
- Removable ash drawer: yes
- Standard flue position: top or rear (anti-condensation installation, standard on top flue version)
- Glass cleaning: continuous air flow
- Primary and secondary air: adjustable
- Pre-set tertiary air: pre-heated
- Combustion air kit: optional
- Ash vacuum cleaner: optional
- Installation: wall - corner

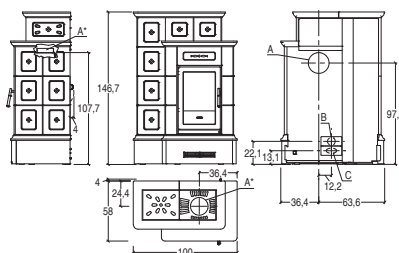
### TECHNICAL DATA

- Model
- Type
- Room heating capacity (min - max) m<sup>3</sup>
- Nominal heat output (min - max) kW
- Nominal thermal efficiency (min - max) %
- Nominal consumption (min - max) kg/h
- Size of wood pieces cm
- Firebox opening W x H cm
- Weight kg

ORTISEI  
SL31-01  
185 - 315  
5,5 - 11,0  
83,1 - 86,0  
1,5 - 2,9  
37 - 40  
33 x 39,5  
327



		CODE	EURO
<b>TOTAL PRICE</b>			<b>7.560,00</b>
Cladding	Dome, sides and surrounds Bianco	P15092300C	2.820,00
	Dome, sides and surrounds Blu Verdemare	P15092110C	2.820,00
	Dome, sides and surrounds Canapa	P15092350C	2.820,00
	Dome, sides and surrounds Terra Bruna	P15092320C	2.820,00
	Dome, sides and surrounds Verde Mirto	P15092250C	2.820,00
<b>TOTAL PRICE</b>			<b>7.970,00</b>
Cladding	Dome, sides and surrounds Bianco Antico. Side and dome decorations Blu Verdemare	P15092114C	3.230,00
	Dome, sides and surrounds Bianco Antico. Side and dome decorations Canapa	P15092354C	3.230,00
	Dome, sides and surrounds Bianco Antico. Side and dome decorations Terra Bruna	P15092324C	3.230,00
	Dome, sides and surrounds Bianco Antico. Side and dome decorations Verde Mirto	P15092254C	3.230,00
	Stove	Wood-burning firebox SL30	P07030000C
Essential kit	Support kit (necessary for installation)	P08014850C	1.255,00
<b>Accessories on request</b>			
	Multifuoco System® single	P08020410C	725,00
	Multifuoco System Plus single	P08020500C	895,00
	Combustion air kit	P08061410C	185,00
	Flexible pipe Ø 12 cm for combustion air	P08010360C	34,00 per pack (3 metres)



A	B	C
15 cm	7.5 cm	12 cm

All dimensions in cm.

# STUBOTTO - WOOD-BURNING

## ORTISEI BCS



### GENERAL CHARACTERISTICS

- Heating: Multifuoco System Plus with 4 speed levels, optional. Ductable hot air / Natural convection
- Front ventilation: directional air vent
- Cladding / Top surface: majolica / majolica
- Stove: airtight steel
- Firebox: Aluker®
- Smoke baffle plate / Brazier: Aluker® / cast iron
- Door / Handle: cast iron with self-cleaning ceramic glass resistant up to 750°C / steel and silicone
- Removable ash drawer: yes
- Standard flue position: top or rear (anti-condensation installation, standard on top flue version)
- Glass cleaning: continuous air flow
- Primary and secondary air: electronically controlled - pre-heated
- Pre-set tertiary air: pre-heated
- Ash vacuum cleaner: optional
- Installation: wall - corner

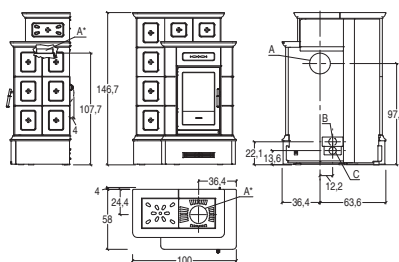
### TECHNICAL DATA

- Model
- Type
- Room heating capacity (min - max)
- Nominal heat output (min - max)
- Nominal thermal efficiency (min - max)
- Nominal consumption (min - max)
- Size of wood pieces
- Firebox opening W x H
- Weight

	ORTISEI BCS
	SL32-01
Room heating capacity (min - max)	m <sup>3</sup> 185 - 320
Nominal heat output (min - max)	kW 5,5 - 11,1
Nominal thermal efficiency (min - max)	% 84,8 - 86,6
Nominal consumption (min - max)	kg/h 1,4 - 2,9
Size of wood pieces	cm 37 - 40
Firebox opening W x H	cm 33 x 39,5
Weight	kg 340



		CODE	EURO
<b>TOTAL PRICE</b>			<b>8.615,00</b>
Cladding	Dome, sides and surrounds Bianco	P15092300C	2.820,00
	Dome, sides and surrounds Blu Verdemare	P15092110C	2.820,00
	Dome, sides and surrounds Canapa	P15092350C	2.820,00
	Dome, sides and surrounds Terra Bruna	P15092320C	2.820,00
	Dome, sides and surrounds Verde Mirto	P15092250C	2.820,00
<b>TOTAL PRICE</b>			<b>9.025,00</b>
Cladding	Dome, sides and surrounds Bianco Antico. Side and dome decorations Verdemare	P15092114C	3.230,00
	Dome, sides and surrounds Bianco Antico. Side and dome decorations Canapa	P15092354C	3.230,00
	Dome, sides and surrounds Bianco Antico. Side and dome decorations Terra Bruna	P15092324C	3.230,00
	Dome, sides and surrounds Bianco Antico. Side and dome decorations Verde Mirto	P15092254C	3.230,00
	Stove	Firebox SL30 Ermetico Burn Control System	P07030100C
Essential kit	Support kit (necessary for installation)	P08014850C	1.255,00
<b>Accessories on request</b>			
	Multifuoco System Plus single	P08020700C	455,00
	Flexible pipe Ø 7,5 cm for combustion air / hot air ducting	N08011005	19,00 per linear metre



A	B	C
15 cm	73 cm	73 cm

All dimensions in cm.

# STUBOTTO - WOOD-BURNING

## STUBOTTO C



### GENERAL CHARACTERISTICS

- Heating: Multifuoco System® with 4 speed levels, optional. Ductable hot air / Natural convection
- Front ventilation: air vent
- Cladding / Top surface: majolica / majolica
- Stove: steel
- Firebox: Aluker®
- Smoke baffle plate / Brazier: Aluker® / Aluker®
- Door / Handle: painted steel with self-cleaning ceramic glass resistant up to 750°C / detachable
- Standard flue outlet position: top
- Glass cleaning: continuous air flow
- Primary and secondary air: manually adjustable
- Pre-set tertiary air: pre-heated
- Combustion air kit: optional
- Ash vacuum cleaner: optional
- Installation: wall - corner

### TECHNICAL DATA

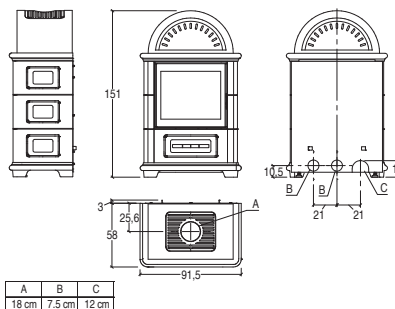
- Model
- Type
- Room heating capacity (min - max)
- Nominal heat output (min - max)
- Nominal thermal efficiency (min - max)
- Nominal consumption (min - max)
- Size of wood pieces
- Firebox opening W x H
- Weight

	STUBOTTO C
	SL150-01
Room heating capacity (min - max)	m³ 185 - 315
Nominal heat output (min - max)	kW 5,3 - 11,0
Nominal thermal efficiency (min - max)	% 81,0 - 80,0
Nominal consumption (min - max)	kg/h 1,4 - 3,1
Size of wood pieces	cm 52 - 55
Firebox opening W x H	cm 56,5 x 44,5
Weight	kg 312



		CODE	EURO
<b>VERSION - WITH FRONT AIR VENT</b>			
<b>TOTAL PRICE</b>			<b>5.135,00</b>
Cladding	BIANCO	P15089300C	2.260,00
<b>TOTAL PRICE</b>			<b>5.505,00</b>
Cladding	Dome Bianco Antico. Sides, surrounds and dome decorations Canapa	P15089351C	2.630,00
	Dome Bianco Antico. Sides, surrounds and dome decorations Rosso Lava	P15089451C	2.630,00
	Dome and sides Bianco Antico. Surrounds, side and dome decorations Canapa	P15089352C	2.630,00
	Dome and sides Bianco Antico. Surrounds, side and dome decorations Terra Bruna	P15089322C	2.630,00
	Dome and sides Bianco Antico. Surrounds, side and dome decorations Verde Mirto	P15089252C	2.630,00
	Stove	Firebox SL150	P04806020C
<b>Accessories on request</b>			
	Multifuoco System® single	P08020390C	690,00
	Multifuoco System Plus single	P08020460C	865,00
	Combustion air kit (not compatible with Multifuoco System® and Multifuoco System Plus)	P08018250C	175,00
	Flexible pipe Ø 12 cm for combustion air	P08010360	34,00 per pack (3 metres)

		CODE	EURO
<b>VERSION - WITHOUT FRONT AIR VENT</b>			
<b>TOTAL PRICE</b>			<b>5.135,00</b>
Cladding	BIANCO	P15079300C	2.260,00
<b>TOTAL PRICE</b>			<b>5.505,00</b>
Cladding	Dome Bianco Antico. Sides, surrounds and dome decorations Canapa	P15079351C	2.630,00
	Dome Bianco Antico. Sides, surrounds and dome decorations Rosso Lava	P15079451C	2.630,00
	Dome and sides Bianco Antico. Surrounds, side and dome decorations Canapa	P15079352C	2.630,00
	Dome and sides Bianco Antico. Surrounds, side and dome decorations Terra Bruna	P15079322C	2.630,00
	Dome and sides Bianco Antico. Surrounds, side and dome decorations Verde Mirto	P15079252C	2.630,00
	Stove	Firebox SL150	P04806020C
<b>Accessories on request</b>			
	Multifuoco System® single	P08020390C	690,00
	Multifuoco System Plus single	P08020460C	865,00
	Combustion air kit (not compatible with Multifuoco System® and Multifuoco System Plus)	P08018250C	175,00
	Flexible pipe Ø 12 cm for combustion air	P08010360	34,00 per pack (3 metres)




All dimensions in cm.


# STUBOTTO - WOOD-BURNING

## Accessories






### MULTIFUOCO SYSTEM®

ITEM	COMPATIBLE MODELS	CODE	EURO
 Multifuoco System®	BRUNICO - CANAZEI - ORTISEI	P08020410C	725,00
	STUBOTTO C	P08020390C	690,00

### MULTIFUOCO SYSTEM PLUS

ITEM	COMPATIBLE MODELS	CODE	EURO
 Multifuoco System Plus	BRUNICO - CANAZEI - ORTISEI	P08020500C	895,00
	BRUNICO BCS - CANAZEI BCS - ORTISEI BCS	P08020700C	455,00
	STUBOTTO C	P08020460C	865,00








### ACCESSORIES FOR HOT AIR DUCTING

ITEM	DIMENSIONS IN CM	UNITS PER PACK	CODE	EURO
 Flexible aluminium pipe <sup>[1]</sup>	Ø 7,5	linear metre	N08011005	19,00 per linear metre
 Aluminium Y connector for wood-burning stoves <sup>[2]</sup>	Ø 7,5	10	N08011006	30,00
 90° aluminium bend	Ø 7,5	10	N08011007	30,00
 Pipe clamp	Ø 7,5	50	N08011008	5,00
 Connector sleeve	Ø 7,5	50	N08011009	10,00

[1] Available in 30 meter roll, minimum order quantity: 1 meter.

[2] For connecting the Multifuoco System fan of all wood stove models to the flex pipe for ducting hot air. Can also be used for branching the hot air ducts.






### AIR VENTS

ITEM	DIMENSIONS IN CM	UNITS PER PACK	CODE	EURO
 Air vent with closure, enamelled white	L 25 x H 12 Ø 7,5	10	N08011001	58,00
 Wall air vent with closure, enamelled white	L 25 x H 11 Ø 7,5	6	N08011002	83,00
 Wall air vent, blasted steel	L 22 x H 5 Ø 7,5	1	NI08012400-0	154,00
 Wall air vent, black enamelled steel	L 22 x H 5 Ø 7,5	1	NI08014190-0	115,00
 Wall air vent, white enamelled steel	L 22 x H 5 Ø 7,5	1	NI08014400-0	115,00
 Air vent without closure, made of white-painted steel	L 9,5 x H 9,5 Ø 7,0	1	N08011003	64,00
 Air vent with closure, made of white-painted steel	L 9,5 x H 9,5 Ø 7,0	1	N08011004	70,00

# STUBOTTO - WOOD-BURNING

## Accessories


### ACCESSORIES FOR BURN CONTROL SYSTEM

ITEM	DIMENSIONS IN CM	UNITS PER PACK	CODE	EURO
 Flexible aluminium pipe for BCS connection	Ø 7,5	linear metre	N08011005	19,00 per linear metre
 90° Aluminium bend connector for BCS	Ø 7,5	10	N08011007	30,00
 Clamp for BCS	Ø 7,5	50	N08011008	5,00
 Connector sleeve for BCS	Ø 7,5	50	N08011009	10,00
 Aeration grille with spring for wall hole Ø 6,0 - 7,5 cm	Ø 6,0 - 7,5 cm	1	N08010014	5,00

### COMBUSTION AIR KIT AND ACCESSORIES

ITEM	COMPATIBLE MODELS	CODE	EURO
 Combustion air kit	BRUNICO - CANAZEI - ORTISEI	P08061410C	185,00
 Flexible pipe Ø 7,5 cm for combustion air	STUBOTTO C	P08018250C	175,00
 Flexible pipe Ø 7,5 cm for combustion air	BRUNICO BCS - CANAZEI BCS - ORTISEI BCS	N08011005	19,00 per linear metre
 Flexible pipe Ø 12 cm for combustion air	BRUNICO - CANAZEI - ORTISEI - STUBOTTO C	P08010360	34,00 per pack (3 metres)
 Aeration grille with spring for wall hole Ø 6,0-7,5 cm	BRUNICO BCS - CANAZEI BCS - ORTISEI BCS	N08010014	5,00
 Aeration grille with spring for wall hole Ø 12,0-15,0 cm	BRUNICO - CANAZEI - ORTISEI - STUBOTTO C	N08010015	5,00

### EXTERNAL AIR INTAKE GRILLE

ITEM	COMPATIBLE MODELS	CODE	EURO
 White painted adjustable external air intake grille 17,5 x 27,5 cm with manual control	All models	N08010007	39,00

### ASH VACUUM CLEANER

ITEM	COMPATIBLE MODELS	CODE	EURO
 Ash vacuum cleaner	All models	N08019040C	100,00








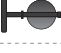



# STUBOTTO - WOOD-BURNING

## Accessories

### PIPES - BENDS - CONNECTORS FOR WOOD-BURNING STUBOTTO

Aluminium coated steel connecting flue pipes single wall, 2 mm thick, V2 corrosion resistance class, EN 1856-2 compliant

ITEM	DIMENSIONS IN CM	Ø MM	CODE	EURO
	L 25	150	P08025020	50,00
	L 50	150	P08025050	70,00
	L 100	150	P08025080	109,00
	L 25	180	P08025030	58,00
	L 50	180	P08025060	78,00
	L 100	180	P08025090	116,00
	L 50	150	P08025100	89,00
	L 100	150	P08025140	128,00
	L 50	180	P08025110	89,00
	L 100	180	P08025150	133,00
	L 32 x H 32	150	P08025200	96,00
	L 32 x H 32	180	P08025210	109,00
	L 25 x H 30	150	P08025230	89,00
	L 25 x H 30	180	P08025240	96,00
	L 17 x H 17	150	P08025260	70,00
	L 17 x H 17	180	P08025270	78,00
	L 70 x H 45	150	P08025170	198,00
	L 70 x H 45	180	P08025180	211,00
	-	150	P08025290	16,00
	-	180	P08025300	54,00
	-	150	P08025350	50,00
	-	180	P08025360	58,00
	-	150	P08025320	39,00
	-	180	P08025330	44,00



---

## STOVE-FIREPLACES

Data charts . . . . .	264
BERNA wood. . . . .	267
DAVOS wood. . . . .	268
LUGANO wood . . . . .	269
Accessories . . . . .	270

# STOVE-FIREPLACES

## Data charts



Technical data	Units	BERNA MC 65/60	BERNA MC 70/51	BERNA MC 90/44	BERNA MC 120/48
Opzional Forced air		yes	yes	yes	yes
Ductable		yes	yes	yes	yes
Natural convection		yes	yes	yes	yes
Airtight		-	-	-	-
Oven		-	-	-	-
Model		BERNA	BERNA	BERNA	BERNA
Type		MC 65/60	MC 70/51	MC 90/44	MC 120/48
Energy efficiency class		A	A	A	A
Room heating capacity *	m <sup>3</sup>	185 - 315	185 - 315	205 - 350	235 - 405
Nominal heat output	kW	11,0	11,0	12,0	14,0
Nominal thermal efficiency	%	80	79	79,3	78,9
Nominal consumption	kg/h	3,1	2,9	3,2	3,8
Standard flue outlet Ø	cm	18	18	20	20
Dimensions W x D x H	cm	75 x 53 x 141,6	80 x 53 x 132,6	100 x 53 x 125,6	128 x 53 x 129,6
Size of wood pieces	cm	52 - 55	56 - 59	56 - 59	56 - 59
Firebox opening W x H	cm	56,5 x 44,5	61,5 x 35	81,5 x 28	110 x 32
Weight	kg	264	246	262	332
Heating		Multifuoco System® with 4 speed levels, optional. Ductable hot air / Natural convection	Multifuoco System® with 4 speed levels, optional. Ductable hot air / Natural convection	Multifuoco System® with 4 speed levels, optional. Ductable hot air / Natural convection	Multifuoco System® with 4 speed levels, optional. Ductable hot air / Natural convection
Front ventilation		air vent	air vent	air vent	air vent
Cladding		majolica	majolica	majolica	majolica
Stove		steel	steel	steel	steel
Firebox		Aluker®	Aluker®	Aluker®	Aluker®
Smoke baffle plate / Brazier		Aluker® / Aluker®	Aluker® / Aluker®	Aluker® / Aluker®	Aluker® / Aluker®
Door / Handle		painted steel / detachable	painted steel / detachable	painted steel / detachable	painted steel / detachable
Ceramic glass		resistant up to 750°C	resistant up to 750°C	resistant up to 750°C	resistant up to 750°C
Standard flue outlet position		top	top	top	top
Primary and secondary air		manually adjustable	manually adjustable	manually adjustable	manually adjustable
Pre-set tertiary air		pre-heated	pre-heated	pre-heated	pre-heated
Glass cleaning system		continuous air flow	continuous air flow	continuous air flow	continuous air flow
Combustion air kit		optional	optional	optional	optional
Ash vacuum cleaner		optional	optional	optional	optional
Installation		wall - corner	wall - corner	wall - corner	wall - corner

\* Calculated on the basis of nominal heat output, referring to rooms with a heating requirement between 0.060 and 0.035 kW per m<sup>3</sup>. We recommend always contacting a heating engineer for the final calculations.

Data obtained using beech wood with moisture content below 16%. Consumption varies according to the type of wood used.

# STOVE-FIREPLACES

## Data charts



Technical data	Units	DAVOS MC 65/60	DAVOS MC 70/51	DAVOS MC 90/44	DAVOS MC 120/48
Opzional Forced air		yes	yes	yes	yes
Ductable		yes	yes	yes	yes
Natural convection		yes	yes	yes	yes
Airtight		-	-	-	-
Oven		-	-	-	-
Model		DAVOS	DAVOS	DAVOS	DAVOS
Type		MC 65/60	MC 70/51	MC 90/44	MC 120/48
Energy efficiency class		A	A	A	A
Room heating capacity *	m <sup>3</sup>	185 - 315	185 - 315	205 - 350	235 - 405
Nominal heat output	kW	11,0	11,0	12,0	14,0
Nominal thermal efficiency	%	80	79	79,3	78,9
Nominal consumption	kg/h	3,1	2,9	3,2	3,8
Standard flue outlet Ø	cm	18	18	20	20
Dimensions W x D x H	cm	75 x 53 x 185,5	80 x 53 x 176,5	100 x 53 x 169,5	128 x 53 x 173,5
Size of wood pieces	cm	52 - 55	56 - 59	56 - 59	56 - 59
Firebox opening W x H	cm	56,5 x 44,5	61,5 x 35	81,5 x 28	110 x 32
Weight	kg	291	270	284	327
Heating		Multifuoco System® with 4 speed levels, optional. Ductable hot air / Natural convection	Multifuoco System® with 4 speed levels, optional. Ductable hot air / Natural convection	Multifuoco System® with 4 speed levels, optional. Ductable hot air / Natural convection	Multifuoco System® with 4 speed levels, optional. Ductable hot air / Natural convection
Front ventilation		air vent	air vent	air vent	air vent
Cladding		majolica	majolica	majolica	majolica
Stove		steel	steel	steel	steel
Firebox		Aluker®	Aluker®	Aluker®	Aluker®
Smoke baffle plate / Brazier		Aluker® / Aluker®	Aluker® / Aluker®	Aluker® / Aluker®	Aluker® / Aluker®
Door / Handle		painted steel / detachable	painted steel / detachable	painted steel / detachable	painted steel / detachable
Ceramic glass		resistant up to 750°C	resistant up to 750°C	resistant up to 750°C	resistant up to 750°C
Standard flue outlet position		top	top	top	top
Primary and secondary air		manually adjustable	manually adjustable	manually adjustable	manually adjustable
Pre-set tertiary air		pre-heated	pre-heated	pre-heated	pre-heated
Glass cleaning system		continuous air flow	continuous air flow	continuous air flow	continuous air flow
Combustion air kit		optional	optional	optional	optional
Ash vacuum cleaner		optional	optional	optional	optional
Installation		wall - corner	wall - corner	wall - corner	wall - corner

\* Calculated on the basis of nominal heat output, referring to rooms with a heating requirement between 0.060 and 0.035 kW per m<sup>3</sup>. We recommend always contacting a heating engineer for the final calculations.

Data obtained using beech wood with moisture content below 16%. Consumption varies according to the type of wood used.

# STOVE-FIREPLACES

## Data charts



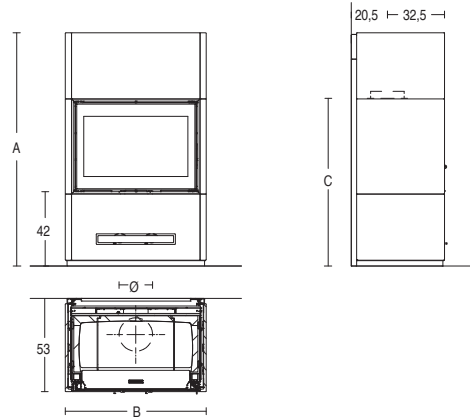
Technical data	Units	LUGANO MC 65/60	LUGANO MC 70/51	LUGANO MC 90/44	LUGANO MC 120/48
Opzional Forced air		yes	yes	yes	yes
Ductable		yes	yes	yes	yes
Natural convection		yes	yes	yes	yes
Airtight		-	-	-	-
Oven		-	-	-	-
Model		LUGANO	LUGANO	LUGANO	LUGANO
Type		MC 65/60	MC 70/51	MC 90/44	MC 120/48
Energy efficiency class		A	A	A	A
Room heating capacity *	m <sup>3</sup>	185 - 315	185 - 315	205 - 350	235 - 405
Nominal heat output	kW	11,0	11,0	12,0	14,0
Nominal thermal efficiency	%	80	79	79,3	78,9
Nominal consumption	kg/h	3,1	2,9	3,2	3,8
Standard flue outlet Ø	cm	18	18	20	20
Dimensions W x D x H	cm	75 x 53 x 141	80 x 53 x 132	100 x 53 x 125	128 x 53 x 129
Size of wood pieces	cm	52 - 55	56 - 59	56 - 59	56 - 59
Firebox opening W x H	cm	56,5 x 44,5	61,5 x 35	81,5 x 28	110 x 32
Weight	kg	263	245	260	331
Heating		Multifuoco System® with 4 speed levels, optional. Ductable hot air / Natural convection	Multifuoco System® with 4 speed levels, optional. Ductable hot air / Natural convection	Multifuoco System® with 4 speed levels, optional. Ductable hot air / Natural convection	Multifuoco System® with 4 speed levels, optional. Ductable hot air / Natural convection
Front ventilation		air vent	air vent	air vent	air vent
Cladding		majolica	majolica	majolica	majolica
Stove		steel	steel	steel	steel
Firebox		Aluker®	Aluker®	Aluker®	Aluker®
Smoke baffle plate / Brazier		Aluker® / Aluker®	Aluker® / Aluker®	Aluker® / Aluker®	Aluker® / Aluker®
Door / Handle		painted steel / detachable	painted steel / detachable	painted steel / detachable	painted steel / detachable
Ceramic glass		resistant up to 750°C	resistant up to 750°C	resistant up to 750°C	resistant up to 750°C
Standard flue outlet position		top	top	top	top
Primary and secondary air		manually adjustable	manually adjustable	manually adjustable	manually adjustable
Pre-set tertiary air		pre-heated	pre-heated	pre-heated	pre-heated
Glass cleaning system		continuous air flow	continuous air flow	continuous air flow	continuous air flow
Combustion air kit		optional	optional	optional	optional
Ash vacuum cleaner		optional	optional	optional	optional
Installation		wall - corner	wall - corner	wall - corner	wall - corner

\* Calculated on the basis of nominal heat output, referring to rooms with a heating requirement between 0.060 and 0.035 kW per m<sup>3</sup>. We recommend always contacting a heating engineer for the final calculations.

Data obtained using beech wood with moisture content below 16%. Consumption varies according to the type of wood used.

# STOVE-FIREPLACES

## BERNA wood



MODEL	TYPE	ENERGY EFFICIENCY CLASS	NOMINAL HEAT OUTPUT (KW)	NOMINAL THERMAL EFFICIENCY (%)	NOMINAL CONSUMPTION (KG/H)	SIZE OF WOOD PIECES (CM)	FIREBOX OPENING W X H (CM)	WEIGHT (KG)	A (CM)	B (CM)	C (CM)	Ø (CM)
BERNA MC 65/60	MC 65/60	A	11,0	80	3,1	52 - 55	56,5 x 44,5	264	141,6	75	104	18
BERNA MC 70/51	MC 70/51	A	11,0	79	2,9	56 - 59	61,5 x 35	246	132,6	80	95	18
BERNA MC 90/44	MC 90/44	A	12,0	79,3	3,2	56 - 59	81,5 x 28	262	125,6	100	88	20
BERNA MC 120/48	MC 120/48	A	14,0	78,9	3,8	56 - 59	110 x 32	332	129,6	128	92	20

Ø Size should be checked during installation.

**All dimensions in cm.**

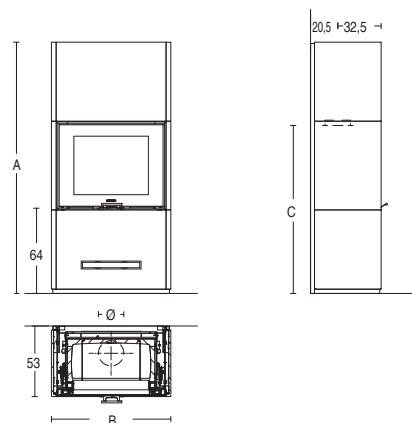
COLOUR	CODE CLADDING	PRICE CLADDING	FIREBOX	CODE FIREBOX	PRICE FIREBOX	PRICE TOTAL PRICE
BIANCO	P06180300C	2.890,00	MC 65/60 *	P04806010C	2.410,00	5.300,00
NERO OPACO	P06180160C					
ROSSO LAVA	P06180450C					
TERRA COTTA	P06180090C					
BIANCO	P06181300C	2.890,00	MC 70/51 *	P04805110C	2.475,00	5.365,00
NERO OPACO	P06181160C					
ROSSO LAVA	P06181450C					
TERRA COTTA	P06181090C					
BIANCO	P06182300C	2.960,00	MC 90/44 *	P04804410C	2.720,00	5.680,00
NERO OPACO	P06182160C					
ROSSO LAVA	P06182450C					
TERRA COTTA	P06182090C					
BIANCO	P06183300C	3.070,00	MC 120/48 *	P04804810C	3.285,00	6.355,00
NERO OPACO	P06183160C					
ROSSO LAVA	P06183450C					
TERRA COTTA	P06183090C					

\* Specific firebox for Berna, Davos and Lugano claddings, not compatible with the Veneziani surrounds.



# STOVE-FIREPLACES

## DAVOS wood



MODEL	TYPE	ENERGY EFFICIENCY CLASS	NOMINAL HEAT OUTPUT (KW)	NOMINAL THERMAL EFFICIENCY (%)	NOMINAL CONSUMPTION (KG/H)	SIZE OF WOOD PIECES (CM)	FIREBOX OPENING W X H (CM)	WEIGHT (KG)	A (CM)	B (CM)	C (CM)	Ø (CM)
DAVOS MC 65/60	MC 65/60	A	11,0	80	3,1	52 - 55	56,5 x 44,5	291	185,5	75	126	18
DAVOS MC 70/51	MC 70/51	A	11,0	79	2,9	56 - 59	61,5 x 35	270	176,5	80	117	18
DAVOS MC 90/44	MC 90/44	A	12,0	79,3	3,2	56 - 59	81,5 x 28	284	169,5	100	110	20
DAVOS MC 120/48	MC 120/48	A	14,0	78,9	3,8	56 - 59	110 x 32	327	173,5	128	114	20

Ø Size should be checked during installation.

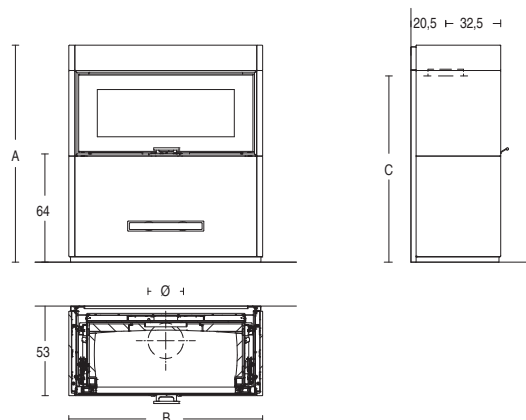
**All dimensions in cm.**

COLOUR	CODE CLADDING	PRICE CLADDING	FIREBOX	CODE FIREBOX	PRICE FIREBOX	PRICE TOTAL PRICE
BIANCO	P06170300C					
NERO OPACO	P06170160C					
ROSSO LAVA	P06170450C	3.055,00	MC 65/60 *	P04806010C	2.410,00	5.465,00
TERRA COTTA	P06170090C					
BIANCO	P06171300C					
NERO OPACO	P06171160C					
ROSSO LAVA	P06171450C	3.055,00	MC 70/51 *	P04805110C	2.475,00	5.530,00
TERRA COTTA	P06171090C					
BIANCO	P06172300C					
NERO OPACO	P06172160C					
ROSSO LAVA	P06172450C	3.115,00	MC 90/44 *	P04804410C	2.720,00	5.835,00
TERRA COTTA	P06172090C					
BIANCO	P06173300C					
NERO OPACO	P06173160C					
ROSSO LAVA	P06173450C	3.235,00	MC 120/48 *	P04804810C	3.285,00	6.520,00
TERRA COTTA	P06173090C					

\* Specific firebox for Berna, Davos and Lugano claddings, not compatible with the Veneziani surrounds.

# STOVE-FIREPLACES

## LUGANO wood



MODEL	TYPE	ENERGY EFFICIENCY CLASS	NOMINAL HEAT OUTPUT (KW)	NOMINAL THERMAL EFFICIENCY (%)	NOMINAL CONSUMPTION (KG/H)	SIZE OF WOOD PIECES (CM)	FIREBOX OPENING W X H (CM)	WEIGHT (KG)	A (CM)	B (CM)	C (CM)	Ø (CM)
LUGANO MC 65/60	MC 65/60	A	11,0	80	3,1	52 - 55	56,5 x 44,5	263	141	75	126	18
LUGANO MC 70/51	MC 70/51	A	11,0	79	2,9	56 - 59	61,5 x 35	245	132	80	117	18
LUGANO MC 90/44	MC 90/44	A	12,0	79,3	3,2	56 - 59	81,5 x 28	260	125	100	110	20
LUGANO MC 120/48	MC 120/48	A	14,0	78,9	3,8	56 - 59	110 x 32	331	129	128	114	20

Ø Size should be checked during installation.

**All dimensions in cm.**

COLOUR	CODE CLADDING	PRICE CLADDING	FIREBOX	CODE FIREBOX	PRICE FIREBOX	PRICE TOTAL PRICE
BIANCO	P06190300C	2.820,00	MC 65/60 *	P04806010C	2.410,00	5.230,00
NERO OPACO	P06190160C					
ROSSO LAVA	P06190450C					
TERRA COTTA	P06190090C					
BIANCO	P06191300C	2.820,00	MC 70/51 *	P04805110C	2.475,00	5.295,00
NERO OPACO	P06191160C					
ROSSO LAVA	P06191450C					
TERRA COTTA	P06191090C					
BIANCO	P06192300C	2.880,00	MC 90/44 *	P04804410C	2.720,00	5.600,00
NERO OPACO	P06192160C					
ROSSO LAVA	P06192450C					
TERRA COTTA	P06192090C					
BIANCO	P06193300C	3.000,00	MC 120/48 *	P04804810C	3.285,00	6.285,00
NERO OPACO	P06193160C					
ROSSO LAVA	P06193450C					
TERRA COTTA	P06193090C					

\* Specific firebox for Berna, Davos and Lugano claddings, not compatible with the Veneziani surrounds.

# STOVE-FIREPLACES

## Accessories for wood-burning stove-fireplaces

### MULTIFUOCO SYSTEM®

ITEM	COMPATIBLE MODELS	CODE	EURO
 Multifuoco System®	BERNA - DAVOS - LUGANO	P08020390C	690,00


### MULTIFUOCO SYSTEM PLUS

ITEM	COMPATIBLE MODELS	CODE	EURO
 Multifuoco System Plus	BERNA - DAVOS - LUGANO	P08020460C	865,00






### COMBUSTION AIR KIT AND ACCESSORIES

ITEM	COMPATIBLE MODELS	CODE	EURO
 Combustion air kit	BERNA - DAVOS - LUGANO MC 65/60	P08018250C	175,00
	BERNA - DAVOS - LUGANO MC 70/51	P08014680C	175,00
	BERNA - DAVOS - LUGANO MC 90/44	P08014690C	175,00
	BERNA - DAVOS - LUGANO MC 120/48	P08014860C	175,00
 Flexible pipe Ø 12 cm for combustion air	BERNA - DAVOS - LUGANO	P08010360	34,00 per pack (3 metres)
 Aeration grille with spring for wall hole Ø 6,0-7,5 cm	All models	N08010014	5,00

### EXTERNAL AIR INTAKE GRILLE

ITEM	COMPATIBLE MODELS	CODE	EURO
 White painted adjustable external air intake grille 17,5 x 27,5 cm with manual control	All models	N08010007	39,00

### ACCESSORIES FOR HOT AIR DUCTING

ITEM	DIMENSIONS IN CM	UNITS PER PACK	CODE	EURO
 Flexible aluminium pipe <sup>[1]</sup>	Ø 7,5	linear metre	N08011005	19,00 per linear metre
 Aluminium Y connector for pellet stoves <sup>[2]</sup>	Ø 7,5	10	N08011016	27,00
 90° aluminium bend	Ø 7,5	10	N08011007	30,00
 Pipe clamp	Ø 7,5	50	N08011008	5,00
 Connector sleeve	Ø 7,5	50	N08011009	10,00

[1] Available in 30 meter roll, minimum order quantity: 1 meter.

[2] For connecting the Multifuoco System fan to the flex pipe for ducting hot air.

### ASH VACUUM CLEANER










ITEM	COMPATIBLE MODELS	CODE	EURO
 Ash vacuum cleaner	All models	N08019040C	100,00

# STOVE-FIREPLACES


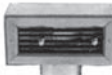

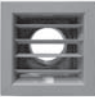
## Accessories for wood-burning stove-fireplaces

### PIPES - BENDS - CONNECTORS FOR WOOD-BURNING STOVE-FIREPLACES

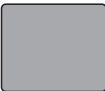

Aluminium coated steel connecting flue pipes single wall, 2 mm thick, V2 corrosion resistance class, EN 1856-2 compliant

ITEM	DIMENSIONS IN CM	Ø MM	CODE	EURO
	L 25	180	P08025030	58,00
	L 50	180	P08025060	78,00
	L 100	180	P08025090	116,00
	L 25	200	P08027270	64,00
	L 50	200	P08027280	83,00
	L 100	200	P08027290	119,00
	L 50	180	P08025110	89,00
	L 100	180	P08025150	133,00
	L 50	200	P08027300	89,00
	L 100	200	P08027310	140,00
	L 32 x H 32	180	P08025210	109,00
		200	P08027320	122,00
	L 25 x H 30	180	P08025240	96,00
		200	P08027330	101,00
	L 17 x H 17	180	P08025270	78,00
		200	P08027340	83,00
	L 70 x H 45	180	P08025180	211,00
		200	P08027350	222,00
	-	180	P08025300	54,00
		200	P08027360	58,00
	-	180	P08025360	58,00
		200	P08027370	64,00
	-	180	P08025330	44,00
		200	P08027380	50,00

### AIR VENTS

ITEM	DIMENSIONS IN CM	UNITS PER PACK	CODE	EURO
	L 25 x H 12 Ø 7,5	10	N08011001	58,00
	L 25 x H 11 Ø 7,5	6	N08011002	83,00
	L 22 x H 5 Ø 7,5	1	NI08012400-0	154,00
	L 22 x H 5 Ø 7,5	1	NI08014190-0	115,00
	L 22 x H 5 Ø 7,5	1	NI08014400-0	115,00
	L 9,5 x H 9,5 Ø 7,0	1	N08011003	64,00
	L 9,5 x H 9,5 Ø 7,0	1	N08011004	70,00

### FLOOR PROTECTION

ITEM	COMPATIBLE MODELS	DIMENSIONS IN CM	CODE	EURO
	All models	100x120	P08024300C	325,00
	All models	100x120	P08024310C	325,00



## GAS STOVES

Data charts . . . . .	274
G958 . . . . .	284
G958 C . . . . .	286
G958 D . . . . .	288
G958 M . . . . .	290
G963 . . . . .	292
G963 C . . . . .	294
G963 D . . . . .	296
G963 M . . . . .	298
Accessories . . . . .	300

# GAS STOVES

## Data charts - Natural gas version



Technical data	Units	G958 - NG	G958 - NG	G958 C - NG
		Natural gas	Natural gas	Natural gas
		Natural convection version	Version with Multifuoco System® as standard feature	Natural convection version
Forced ventilation		-	yes	-
Ductable		-	yes	-
Natural convection		yes	yes	yes
Hermetic		yes	yes	yes
Model		G958 NG	G958 MF/NG	G958 NG C
Type		-	-	-
Energy efficiency class		D	D	D
Room heating capacity *	m³	100 - 175	100 - 175	100 - 175
Nominal heat output (min - max)	kW	2,5 - 6,0	2,5 - 6,0	2,5 - 6,0
Thermal efficiency (min - max)	%	80,3 - 80,3	80,3 - 83,0	80,3 - 80,3
Gas volume flow rate (min - max)	m³/h	0,2 - 0,6	0,2 - 0,6	0,2 - 0,6
Standard coaxial flue outlet Ø	cm	10/15	10/15	10/15
Dimensions W x D x H	cm	51 x 47 x 101	51 x 47 x 101	56 x 49 x 101
Weight	kg	103	107	103
Heating		natural convection	natural convection / forced ventilation with Multifuoco System®. Ductable hot air	natural convection
Front ventilation		fixed outlet	fixed outlet	fixed outlet
Side ventilation		-	-	-
Cladding		majolica	majolica	majolica
Stove		airtight, steel, natural draught with balanced flue	airtight, steel, natural draught with balanced flue	airtight, steel, natural draught with balanced flue
Firebox		Aluker®	Aluker®	Aluker®
Burner		natural gas	natural gas	natural gas
Door		steel with self-cleaning ceramic glass resistant up to 750°C	steel with self-cleaning ceramic glass resistant up to 750°C	steel with self-cleaning ceramic glass resistant up to 750°C
Ceramic glass		self-cleaning, with ultra-fine mesh for safety touch protection	self-cleaning, with ultra-fine mesh for safety touch protection	self-cleaning, with ultra-fine mesh for safety touch protection
Standard flue outlet position		rear	rear	rear
Power levels		6 levels	6 levels	6 levels
LCD remote control		yes	yes	yes
Ceramic logs and coals		standard	standard	standard
Ceramic pebbles		optional	optional	optional
Installation		wall - corner	wall - corner	wall - corner

\* Calculated on the basis of nominal heat output, referring to rooms with a heating requirement between 0.060 and 0.035 kW per m³. We recommend always contacting a heating engineer for the final calculations.

[1] Valid only for forced ventilation versions with the Multifuoco System®.

Power supply: 230V - 50 Hz.



# GAS STOVES

## Data charts - Natural gas version



G958 C - NG	G958 D - NG	G958 D - NG	G958 M - NG	G958 M - NG
Natural gas	Natural gas	Natural gas	Natural gas	Natural gas
Version with Multifuoco System® as standard feature	Natural convection version	Version with Multifuoco System® as standard feature	Natural convection version	Version with Multifuoco System® as standard feature
yes	-	yes	-	yes
yes	-	yes	-	yes
yes	yes	yes	yes	yes
yes	yes	yes	yes	yes
G958 MF/NG C	G958 NG D	G958 MF/NG D	G958 NG M	G958 MF/NG M
-	-	-	-	-
D	D	D	D	D
100 - 175	100 - 175	100 - 175	100 - 175	100 - 175
2,5 - 6,0	2,5 - 6,0	2,5 - 6,0	2,5 - 6,0	2,5 - 6,0
80,3 - 83,0	80,3 - 80,3	80,3 - 83,0	80,3 - 80,3	80,3 - 83,0
0,2 - 0,6	0,2 - 0,6	0,2 - 0,6	0,2 - 0,6	0,2 - 0,6
10/15	10/15	10/15	10/15	10/15
56 x 49 x 101	49 x 46 x 101	49 x 46 x 101	51 x 47 x 101	51 x 47 x 101
107	103	107	103	107
natural convection / forced ventilation with Multifuoco System®. Ductable hot air	natural convection	natural convection / forced ventilation with Multifuoco System®. Ductable hot air	natural convection	natural convection / forced ventilation with Multifuoco System®. Ductable hot air
fixed outlet	fixed outlet	fixed outlet	fixed outlet	fixed outlet
-	-	-	-	-
majolica	majolica	majolica	majolica	majolica
airtight, steel, natural draught with balanced flue	airtight, steel, natural draught with balanced flue	airtight, steel, natural draught with balanced flue	airtight, steel, natural draught with balanced flue	airtight, steel, natural draught with balanced flue
Aluker®	Aluker®	Aluker®	Aluker®	Aluker®
natural gas	natural gas	natural gas	natural gas	natural gas
steel with self-cleaning ceramic glass resistant up to 750°C	steel with self-cleaning ceramic glass resistant up to 750°C	steel with self-cleaning ceramic glass resistant up to 750°C	steel with self-cleaning ceramic glass resistant up to 750°C	steel with self-cleaning ceramic glass resistant up to 750°C
self-cleaning, with ultra-fine mesh for safety touch protection	self-cleaning, with ultra-fine mesh for safety touch protection	self-cleaning, with ultra-fine mesh for safety touch protection	self-cleaning, with ultra-fine mesh for safety touch protection	self-cleaning, with ultra-fine mesh for safety touch protection
rear	rear	rear	rear	rear
6 levels	6 levels	6 levels	6 levels	6 levels
yes	yes	yes	yes	yes
standard	standard	standard	standard	standard
optional	optional	optional	optional	optional
wall - corner	wall - corner	wall - corner	wall - corner	wall - corner

\* Calculated on the basis of nominal heat output, referring to rooms with a heating requirement between 0.060 and 0.035 kW per m<sup>3</sup>. We recommend always contacting a heating engineer for the final calculations.

[1] Valid only for forced ventilation versions with the Multifuoco System®.

Power supply: 230V - 50 Hz.

# GAS STOVES

## Data charts - Natural gas version



Technical data	Units	G963 - NG	G963 - NG	G963 C - NG
		Natural gas	Natural gas	Natural gas
		Natural convection version	Version with Multifuoco System® as standard feature	Natural convection version
Forced ventilation		-	yes	-
Ductable		-	yes	-
Natural convection		yes	yes	yes
Hermetic		yes	yes	yes
Model		G963 NG	G963 MF/NG	G963 NG C
Type		-	-	-
Energy efficiency class		C	C	C
Room heating capacity *	m <sup>3</sup>	150 - 260	150 - 260	150 - 260
Nominal heat output (min - max)	kW	4,0 - 9,0	4,0 - 9,0	4,0 - 9,0
Thermal efficiency (min - max)	%	83,9 - 83,9	83,9 - 86,1	83,9 - 83,9
Gas volume flow rate (min - max)	m <sup>3</sup> /h	0,4 - 0,9	0,4 - 0,9	0,4 - 0,9
Standard coaxial flue outlet Ø	cm	10/15	10/15	10/15
Dimensions W x D x H	cm	57 x 53 x 118	57 x 53 x 118	65 x 54 x 118
Weight	kg	124	128	124
Heating		natural convection	natural convection / forced ventilation with Multifuoco System®. Ductable hot air	natural convection
Front ventilation		fixed outlet	fixed outlet	fixed outlet
Side ventilation		-	-	-
Cladding		majolica	majolica	majolica
Stove		airtight, steel, natural draught with balanced flue	airtight, steel, natural draught with balanced flue	airtight, steel, natural draught with balanced flue
Firebox		Aluker®	Aluker®	Aluker®
Burner		natural gas	natural gas	natural gas
Door		steel with self-cleaning ceramic glass resistant up to 750°C	steel with self-cleaning ceramic glass resistant up to 750°C	steel with self-cleaning ceramic glass resistant up to 750°C
Ceramic glass		self-cleaning, with ultra-fine mesh for safety touch protection	self-cleaning, with ultra-fine mesh for safety touch protection	self-cleaning, with ultra-fine mesh for safety touch protection
Standard flue outlet position		rear	rear	rear
Power levels		6 levels	6 levels	6 levels
LCD remote control		yes	yes	yes
Ceramic logs and coals		standard	standard	standard
Ceramic pebbles		optional	optional	optional
Installation		wall - corner	wall - corner	wall - corner

\* Calculated on the basis of nominal heat output, referring to rooms with a heating requirement between 0.060 and 0.035 kW per m<sup>3</sup>. We recommend always contacting a heating engineer for the final calculations.

[1] Valid only for forced ventilation versions with the Multifuoco System®.

Power supply: 230V - 50 Hz.

# GAS STOVES

## Data charts - Natural gas version



G963 C - NG		G963 D - NG		G963 D - NG		G963 M - NG		G963 M - NG	
Natural gas		Natural gas		Natural gas		Natural gas		Natural gas	
Version with Multifuoco System® as standard feature		Natural convection version		Version with Multifuoco System® as standard feature		Natural convection version		Version with Multifuoco System® as standard feature	
yes	-	-	-	yes	-	-	-	yes	-
yes	-	-	-	yes	-	-	-	yes	-
yes	yes	yes	yes	yes	yes	yes	yes	yes	yes
yes	yes	yes	yes	yes	yes	yes	yes	yes	yes
G963 MF/NG C	G963 NG D	G963 NG D	G963 MF/NG D	G963 MF/NG D	G963 NG M	G963 NG M	G963 MF/NG M	G963 MF/NG M	G963 MF/NG M
-	-	-	-	-	-	-	-	-	-
C	C	C	C	C	C	C	C	C	C
150 - 260	150 - 260	150 - 260	150 - 260	150 - 260	150 - 260	150 - 260	150 - 260	150 - 260	150 - 260
4,0 - 9,0	4,0 - 9,0	4,0 - 9,0	4,0 - 9,0	4,0 - 9,0	4,0 - 9,0	4,0 - 9,0	4,0 - 9,0	4,0 - 9,0	4,0 - 9,0
83,9 - 86,1	83,9 - 83,9	83,9 - 83,9	83,9 - 86,1	83,9 - 86,1	83,9 - 83,9	83,9 - 83,9	83,9 - 86,1	83,9 - 86,1	83,9 - 86,1
0,4 - 0,9	0,4 - 0,9	0,4 - 0,9	0,4 - 0,9	0,4 - 0,9	0,4 - 0,9	0,4 - 0,9	0,4 - 0,9	0,4 - 0,9	0,4 - 0,9
10/15	10/15	10/15	10/15	10/15	10/15	10/15	10/15	10/15	10/15
65 x 54 x 118	57 x 52 x 117	57 x 52 x 117	57 x 52 x 117	57 x 52 x 117	57 x 53 x 118	57 x 53 x 118	57 x 53 x 118	57 x 53 x 118	57 x 53 x 118
128	124	124	128	128	124	124	128	128	128
natural convection / forced ventilation with Multifuoco System®. Ductable hot air fixed outlet	natural convection	natural convection	natural convection / forced ventilation with Multifuoco System®. Ductable hot air fixed outlet	natural convection / forced ventilation with Multifuoco System®. Ductable hot air fixed outlet	natural convection	natural convection	natural convection / forced ventilation with Multifuoco System®. Ductable hot air fixed outlet	natural convection / forced ventilation with Multifuoco System®. Ductable hot air fixed outlet	natural convection / forced ventilation with Multifuoco System®. Ductable hot air fixed outlet
-	fixed outlet	fixed outlet	-	-	fixed outlet	fixed outlet	-	fixed outlet	fixed outlet
-	-	-	-	-	-	-	-	-	-
majolica	majolica	majolica	majolica	majolica	majolica	majolica	majolica	majolica	majolica
airtight, steel, natural draught with balanced flue	airtight, steel, natural draught with balanced flue	airtight, steel, natural draught with balanced flue	airtight, steel, natural draught with balanced flue	airtight, steel, natural draught with balanced flue	airtight, steel, natural draught with balanced flue	airtight, steel, natural draught with balanced flue	airtight, steel, natural draught with balanced flue	airtight, steel, natural draught with balanced flue	airtight, steel, natural draught with balanced flue
Aluker®	Aluker®	Aluker®	Aluker®	Aluker®	Aluker®	Aluker®	Aluker®	Aluker®	Aluker®
natural gas	natural gas	natural gas	natural gas	natural gas	natural gas	natural gas	natural gas	natural gas	natural gas
steel with self-cleaning ceramic glass resistant up to 750°C	steel with self-cleaning ceramic glass resistant up to 750°C	steel with self-cleaning ceramic glass resistant up to 750°C	steel with self-cleaning ceramic glass resistant up to 750°C	steel with self-cleaning ceramic glass resistant up to 750°C	steel with self-cleaning ceramic glass resistant up to 750°C	steel with self-cleaning ceramic glass resistant up to 750°C	steel with self-cleaning ceramic glass resistant up to 750°C	steel with self-cleaning ceramic glass resistant up to 750°C	steel with self-cleaning ceramic glass resistant up to 750°C
self-cleaning, with ultra-fine mesh for safety touch protection	self-cleaning, with ultra-fine mesh for safety touch protection	self-cleaning, with ultra-fine mesh for safety touch protection	self-cleaning, with ultra-fine mesh for safety touch protection	self-cleaning, with ultra-fine mesh for safety touch protection	self-cleaning, with ultra-fine mesh for safety touch protection	self-cleaning, with ultra-fine mesh for safety touch protection	self-cleaning, with ultra-fine mesh for safety touch protection	self-cleaning, with ultra-fine mesh for safety touch protection	self-cleaning, with ultra-fine mesh for safety touch protection
rear	rear	rear	rear	rear	rear	rear	rear	rear	rear
6 levels	6 levels	6 levels	6 levels	6 levels	6 levels	6 levels	6 levels	6 levels	6 levels
yes	yes	yes	yes	yes	yes	yes	yes	yes	yes
standard	standard	standard	standard	standard	standard	standard	standard	standard	standard
optional	optional	optional	optional	optional	optional	optional	optional	optional	optional
wall - corner	wall - corner	wall - corner	wall - corner	wall - corner	wall - corner	wall - corner	wall - corner	wall - corner	wall - corner

\* Calculated on the basis of nominal heat output, referring to rooms with a heating requirement between 0.060 and 0.035 kW per m<sup>3</sup>. We recommend always contacting a heating engineer for the final calculations.

[1] Valid only for forced ventilation versions with the Multifuoco System®.

Power supply: 230V - 50 Hz.

# GAS STOVES

## Data charts - LPG Version



Technical data	Units	G958 - LPG	G958 - LPG	G958 - LPG	G958 - LPG	G958 C - LPG	G958 C - LPG
		Propane	Propane/Butane	Propane	Propane/Butane	Propane	Propane/Butane
		Natural convection version	Natural convection version	Version with Multifuoco System® as standard feature	Version with Multifuoco System® as standard feature	Natural convection version	Natural convection version
Forced ventilation		-	-	yes	yes	-	-
Ductable		-	-	yes	yes	-	-
Natural convection		yes	yes	yes	yes	yes	yes
Hermetic		yes	yes	yes	yes	yes	yes
Model		G958 LPG	G958 LPG	G958 MF/LPG	G958 MF/LPG	G958 LPG C	G958 LPG C
Type		-	-	-	-	-	-
Energy efficiency class		D	D	D	D	D	D
Room heating capacity *	m³	75 - 130	85 - 145	75 - 130	85 - 145	75 - 130	85 - 145
Nominal heat output (min - max)	kW	2,2 - 4,5	2,5 - 5,0	2,2 - 4,5	2,5 - 5,0	2,2 - 4,5	2,5 - 5,0
Thermal efficiency (min - max)	%	78,6 - 78,6	80,1 - 80,1	78,6 - 82,1	80,1 - 83,0	78,6 - 78,6	80,1 - 80,1
Gas volume flow rate (min - max)	m³/h	0,08 - 0,1	0,07 - 0,1	0,08 - 0,1	0,07 - 0,1	0,08 - 0,1	0,07 - 0,1
Standard coaxial flue outlet Ø	cm	10/15	10/15	10/15	10/15	10/15	10/15
Dimensions W x D x H	cm	51 x 47 x 101	51 x 47 x 101	51 x 47 x 101	51 x 47 x 101	56 x 49 x 101	56 x 49 x 101
Weight	kg	103	103	107	107	103	103
Heating		natural convection	natural convection	natural convection / forced ventilation with Multifuoco System®. Ductable hot air	natural convection / forced ventilation with Multifuoco System®. Ductable hot air	natural convection	natural convection
Front ventilation		fixed outlet	fixed outlet	fixed outlet	fixed outlet	fixed outlet	fixed outlet
Side ventilation		-	-	-	-	-	-
Cladding		majolica	majolica	majolica	majolica	majolica	majolica
Stove		airtight, steel, natural draught with balanced flue	airtight, steel, natural draught with balanced flue	airtight, steel, natural draught with balanced flue	airtight, steel, natural draught with balanced flue	airtight, steel, natural draught with balanced flue	airtight, steel, natural draught with balanced flue
Firebox		Aluker®	Aluker®	Aluker®	Aluker®	Aluker®	Aluker®
Burner		LPG	LPG	LPG	LPG	LPG	LPG
Door		steel with self-cleaning ceramic glass resistant up to 750°C	steel with self-cleaning ceramic glass resistant up to 750°C	steel with self-cleaning ceramic glass resistant up to 750°C	steel with self-cleaning ceramic glass resistant up to 750°C	steel with self-cleaning ceramic glass resistant up to 750°C	steel with self-cleaning ceramic glass resistant up to 750°C
Ceramic glass		self-cleaning, with ultra-fine mesh for safety touch protection	self-cleaning, with ultra-fine mesh for safety touch protection	self-cleaning, with ultra-fine mesh for safety touch protection	self-cleaning, with ultra-fine mesh for safety touch protection	self-cleaning, with ultra-fine mesh for safety touch protection	self-cleaning, with ultra-fine mesh for safety touch protection
Standard flue outlet position		rear	rear	rear	rear	rear	rear
Power levels		6 levels	6 levels	6 levels	6 levels	6 levels	6 levels
LCD remote control		yes	yes	yes	yes	yes	yes
Ceramic logs and coals		standard	standard	standard	standard	standard	standard
Ceramic pebbles		optional	optional	optional	optional	optional	optional
Installation		wall - corner	wall - corner	wall - corner	wall - corner	wall - corner	wall - corner

\* Calculated on the basis of nominal heat output, referring to rooms with a heating requirement between 0.060 and 0.035 kW per m³. We recommend always contacting a heating engineer for the final calculations.

[1] Valid only for forced ventilation versions with the Multifuoco System®.

Power supply: 230V - 50 Hz.

# GAS STOVES

## Data charts - LPG Version



G958 C - LPG		G958 D - LPG		G958 D - LPG	
Propane	Propane/Butane	Propane	Propane/Butane	Propane	Propane/Butane
Version with Multifuoco System® as standard feature	Version with Multifuoco System® as standard feature	Natural convection version	Natural convection version	Version with Multifuoco System® as standard feature	Version with Multifuoco System® as standard feature
yes	yes	-	-	yes	yes
yes	yes	-	-	yes	yes
yes	yes	yes	yes	yes	yes
yes	yes	yes	yes	yes	yes
G958 MF/LPG C	G958 MF/LPG C	G958 LPG D	G958 LPG D	G958 MF/LPG D	G958 MF/LPG D
-	-	-	-	-	-
D	D	D	D	D	D
75 - 130	85 - 145	75 - 130	85 - 145	75 - 130	85 - 145
2,2 - 4,5	2,5 - 5,0	2,2 - 4,5	2,5 - 5,0	2,2 - 4,5	2,5 - 5,0
78,6 - 82,1	80,1 - 83,0	78,6 - 78,6	80,1 - 80,1	78,6 - 82,1	80,1 - 83,0
0,08 - 0,1	0,07 - 0,1	0,08 - 0,1	0,07 - 0,1	0,08 - 0,1	0,07 - 0,1
10/15	10/15	10/15	10/15	10/15	10/15
56 x 49 x 101	56 x 49 x 101	49 x 46 x 101	49 x 46 x 101	49 x 46 x 101	49 x 46 x 101
107	107	103	103	107	107
natural convection / forced ventilation with Multifuoco System®. Ductable hot air	natural convection / forced ventilation with Multifuoco System®. Ductable hot air	natural convection	natural convection	natural convection / forced ventilation with Multifuoco System®. Ductable hot air	natural convection / forced ventilation with Multifuoco System®. Ductable hot air
fixed outlet	fixed outlet	fixed outlet	fixed outlet	fixed outlet	fixed outlet
-	-	-	-	-	-
majolica	majolica	majolica	majolica	majolica	majolica
airtight, steel, natural draught with balanced flue	airtight, steel, natural draught with balanced flue	airtight, steel, natural draught with balanced flue	airtight, steel, natural draught with balanced flue	airtight, steel, natural draught with balanced flue	airtight, steel, natural draught with balanced flue
Aluker®	Aluker®	Aluker®	Aluker®	Aluker®	Aluker®
LPG	LPG	LPG	LPG	LPG	LPG
steel with self-cleaning ceramic glass resistant up to 750°C	steel with self-cleaning ceramic glass resistant up to 750°C	steel with self-cleaning ceramic glass resistant up to 750°C	steel with self-cleaning ceramic glass resistant up to 750°C	steel with self-cleaning ceramic glass resistant up to 750°C	steel with self-cleaning ceramic glass resistant up to 750°C
self-cleaning, with ultra-fine mesh for safety touch protection	self-cleaning, with ultra-fine mesh for safety touch protection	self-cleaning, with ultra-fine mesh for safety touch protection	self-cleaning, with ultra-fine mesh for safety touch protection	self-cleaning, with ultra-fine mesh for safety touch protection	self-cleaning, with ultra-fine mesh for safety touch protection
rear	rear	rear	rear	rear	rear
6 levels	6 levels	6 levels	6 levels	6 levels	6 levels
yes	yes	yes	yes	yes	yes
standard	standard	standard	standard	standard	standard
optional	optional	optional	optional	optional	optional
wall - corner	wall - corner	wall - corner	wall - corner	wall - corner	wall - corner

\* Calculated on the basis of nominal heat output, referring to rooms with a heating requirement between 0.060 and 0.035 kW per m<sup>3</sup>. We recommend always contacting a heating engineer for the final calculations.

[1] Valid only for forced ventilation versions with the Multifuoco System®.

Power supply: 230V - 50 Hz.

# GAS STOVES

## Data charts - LPG Version



Technical data	Units	G958 M - LPG		G958 M - LPG		G958 M - LPG		G958 M - LPG	
		Propane		Propane/Butane		Propane		Propane/Butane	
		Natural convection version		Natural convection version		Version with Multifluoco System® as standard feature		Version with Multifluoco System® as standard feature	
Forced ventilation		-		-		yes		yes	
Ductable		-		-		yes		yes	
Natural convection		yes		yes		yes		yes	
Hermetic		yes		yes		yes		yes	
Model		G958 LPG M		G958 LPG M		G958 MF/LPG M		G958 MF/LPG M	
Type		-		-		-		-	
Energy efficiency class		D		D		D		D	
Room heating capacity *	m <sup>3</sup>	75 - 130		85 - 145		75 - 130		85 - 145	
Nominal heat output (min - max)	kW	2,2 - 4,5		2,5 - 5,0		2,2 - 4,5		2,5 - 5,0	
Thermal efficiency (min - max)	%	78,6 - 78,6		80,1 - 80,1		78,6 - 82,1		80,1 - 83,0	
Gas volume flow rate (min - max)	m <sup>3</sup> /h	0,08 - 0,1		0,07 - 0,1		0,08 - 0,1		0,07 - 0,1	
Standard coaxial flue outlet Ø	cm	10/15		10/15		10/15		10/15	
Dimensions W x D x H	cm	51 x 47 x 101		51 x 47 x 101		51 x 47 x 101		51 x 47 x 101	
Weight	kg	103		103		107		107	
Heating		natural convection		natural convection		natural convection / forced ventilation with Multifluoco System®. Ductable hot air		natural convection / forced ventilation with Multifluoco System®. Ductable hot air	
Front ventilation		fixed outlet		fixed outlet		fixed outlet		fixed outlet	
Side ventilation		-		-		-		-	
Cladding		majolica		majolica		majolica		majolica	
Stove		airtight, steel, natural draught with balanced flue		airtight, steel, natural draught with balanced flue		airtight, steel, natural draught with balanced flue		airtight, steel, natural draught with balanced flue	
Firebox		Aluker®		Aluker®		Aluker®		Aluker®	
Burner		LPG		LPG		LPG		LPG	
Door		steel with self-cleaning ceramic glass resistant up to 750°C		steel with self-cleaning ceramic glass resistant up to 750°C		steel with self-cleaning ceramic glass resistant up to 750°C		steel with self-cleaning ceramic glass resistant up to 750°C	
Ceramic glass		self-cleaning, with ultra-fine mesh for safety touch protection		self-cleaning, with ultra-fine mesh for safety touch protection		self-cleaning, with ultra-fine mesh for safety touch protection		self-cleaning, with ultra-fine mesh for safety touch protection	
Standard flue outlet position		rear		rear		rear		rear	
Power levels		6 levels		6 levels		6 levels		6 levels	
LCD remote control		yes		yes		yes		yes	
Ceramic logs and coals		standard		standard		standard		standard	
Ceramic pebbles		optional		optional		optional		optional	
Installation		wall - corner		wall - corner		wall - corner		wall - corner	

\* Calculated on the basis of nominal heat output, referring to rooms with a heating requirement between 0.060 and 0.035 kW per m<sup>3</sup>. We recommend always contacting a heating engineer for the final calculations.

[1] Valid only for forced ventilation versions with the Multifluoco System®.

Power supply: 230V - 50 Hz.

# GAS STOVES

## Data charts - LPG Version



G963 - LPG		G963 - LPG		G963 - LPG		G963 - LPG		G963 C - LPG		G963 C - LPG	
Propane		Propane/Butane		Propane		Propane/Butane		Propane		Propane/Butane	
Natural convection version	Natural convection version	Version with Multifuoco System® as standard feature		Version with Multifuoco System® as standard feature		Natural convection version	Natural convection version	Natural convection version	Natural convection version	Natural convection version	Natural convection version
-	-	yes	yes	yes	yes	-	-	-	-	-	-
yes	yes	yes	yes	yes	yes	yes	yes	yes	yes	yes	yes
yes	yes	yes	yes	yes	yes	yes	yes	yes	yes	yes	yes
G963 LPG	G963 LPG	G963 MF/LPG		G963 MF/LPG		G963 LPG C	G963 LPG C	G963 LPG C	G963 LPG C	G963 LPG C	G963 LPG C
-	-	C	C	C	C	D	D	D	D	C	C
100 - 170	110 - 190	100 - 170	110 - 190	100 - 170	110 - 190	100 - 170	110 - 190	100 - 170	110 - 190	110 - 190	110 - 190
3,5 - 5,8	4,0 - 6,5	3,5 - 5,8	4,0 - 6,5	3,5 - 5,8	4,0 - 6,5	3,5 - 5,8	4,0 - 6,5	3,5 - 5,8	4,0 - 6,5	4,0 - 6,5	4,0 - 6,5
81,6 - 81,6	83,0 - 83,0	81,6 - 84,5	83,0 - 85,3	81,6 - 84,5	83,0 - 85,3	81,6 - 81,6	83,0 - 83,0	81,6 - 81,6	83,0 - 83,0	83,0 - 83,0	83,0 - 83,0
0,1 - 0,2	0,1 - 0,1	0,1 - 0,2	0,1 - 0,1	0,1 - 0,2	0,1 - 0,1	0,1 - 0,2	0,1 - 0,1	0,1 - 0,2	0,1 - 0,1	0,1 - 0,1	0,1 - 0,1
10/15	10/15	10/15	10/15	10/15	10/15	10/15	10/15	10/15	10/15	10/15	10/15
57 x 53 x 118	57 x 53 x 118	57 x 53 x 118	57 x 53 x 118	57 x 53 x 118	57 x 53 x 118	65 x 54 x 118	65 x 54 x 118	65 x 54 x 118	65 x 54 x 118	65 x 54 x 118	65 x 54 x 118
124	124	128	128	128	128	124	124	124	124	124	124
natural convection	natural convection	natural convection / forced ventilation with Multifuoco System®. Ductable hot air		natural convection / forced ventilation with Multifuoco System®. Ductable hot air		natural convection	natural convection	natural convection	natural convection	natural convection / forced ventilation with Multifuoco System®. Ductable hot air	
fixed outlet	fixed outlet	fixed outlet	fixed outlet	fixed outlet	fixed outlet	fixed outlet	fixed outlet	fixed outlet	fixed outlet	fixed outlet	fixed outlet
majolica	majolica	majolica	majolica	majolica	majolica	majolica	majolica	majolica	majolica	majolica	majolica
airtight, steel, natural draught with balanced flue	airtight, steel, natural draught with balanced flue	airtight, steel, natural draught with balanced flue	airtight, steel, natural draught with balanced flue	airtight, steel, natural draught with balanced flue	airtight, steel, natural draught with balanced flue	airtight, steel, natural draught with balanced flue	airtight, steel, natural draught with balanced flue	airtight, steel, natural draught with balanced flue	airtight, steel, natural draught with balanced flue	airtight, steel, natural draught with balanced flue	airtight, steel, natural draught with balanced flue
Aluker®	Aluker®	Aluker®	Aluker®	Aluker®	Aluker®	Aluker®	Aluker®	Aluker®	Aluker®	Aluker®	Aluker®
LPG	LPG	LPG	LPG	LPG	LPG	LPG	LPG	LPG	LPG	LPG	LPG
steel with self-cleaning ceramic glass resistant up to 750°C self-cleaning, with ultra-fine mesh for safety touch protection	steel with self-cleaning ceramic glass resistant up to 750°C self-cleaning, with ultra-fine mesh for safety touch protection	steel with self-cleaning ceramic glass resistant up to 750°C self-cleaning, with ultra-fine mesh for safety touch protection	steel with self-cleaning ceramic glass resistant up to 750°C self-cleaning, with ultra-fine mesh for safety touch protection	steel with self-cleaning ceramic glass resistant up to 750°C self-cleaning, with ultra-fine mesh for safety touch protection	steel with self-cleaning ceramic glass resistant up to 750°C self-cleaning, with ultra-fine mesh for safety touch protection	steel with self-cleaning ceramic glass resistant up to 750°C self-cleaning, with ultra-fine mesh for safety touch protection	steel with self-cleaning ceramic glass resistant up to 750°C self-cleaning, with ultra-fine mesh for safety touch protection	steel with self-cleaning ceramic glass resistant up to 750°C self-cleaning, with ultra-fine mesh for safety touch protection	steel with self-cleaning ceramic glass resistant up to 750°C self-cleaning, with ultra-fine mesh for safety touch protection	steel with self-cleaning ceramic glass resistant up to 750°C self-cleaning, with ultra-fine mesh for safety touch protection	steel with self-cleaning ceramic glass resistant up to 750°C self-cleaning, with ultra-fine mesh for safety touch protection
rear	rear	rear	rear	rear	rear	rear	rear	rear	rear	rear	rear
6 levels	6 levels	6 levels	6 levels	6 levels	6 levels	6 levels	6 levels	6 levels	6 levels	6 levels	6 levels
yes	yes	yes	yes	yes	yes	yes	yes	yes	yes	yes	yes
standard	standard	standard	standard	standard	standard	standard	standard	standard	standard	standard	standard
optional	optional	optional	optional	optional	optional	optional	optional	optional	optional	optional	optional
wall - corner	wall - corner	wall - corner	wall - corner	wall - corner	wall - corner	wall - corner	wall - corner	wall - corner	wall - corner	wall - corner	wall - corner

\* Calculated on the basis of nominal heat output, referring to rooms with a heating requirement between 0.060 and 0.035 kW per m<sup>3</sup>. We recommend always contacting a heating engineer for the final calculations.

[1] Valid only for forced ventilation versions with the Multifuoco System®.

Power supply: 230V - 50 Hz.

# GAS STOVES

## Data charts - LPG Version



Technical data	Units	G963 C - LPG		G963 D - LPG	
		Propane	Propane/Butane	Propane	Propane/Butane
		Version with Multifuoco System® as standard feature	Version with Multifuoco System® as standard feature	Natural convection version	Natural convection version
Forced ventilation		yes	yes	-	-
Ductable		yes	yes	-	-
Natural convection		yes	yes	yes	yes
Hermetic		yes	yes	yes	yes
Model		G963 MF/LPG C	G963 MF/LPG C	G963 LPG D	G963 LPG D
Type		-	-	-	-
Energy efficiency class		C	C	D	C
Room heating capacity *	m <sup>3</sup>	100 - 170	110 - 190	100 - 170	110 - 190
Nominal heat output (min - max)	kW	3,5 - 5,8	4,0 - 6,5	3,5 - 5,8	4,0 - 6,5
Thermal efficiency (min - max)	%	81,6 - 84,5	83,0 - 85,3	81,6 - 81,6	83,0 - 83,0
Gas volume flow rate (min - max)	m <sup>3</sup> /h	0,1 - 0,2	0,1 - 0,1	0,1 - 0,2	0,1 - 0,1
Standard coaxial flue outlet Ø	cm	10/15	10/15	10/15	10/15
Dimensions W x D x H	cm	65 x 54 x 118	65 x 54 x 118	57 x 52 x 117	57 x 52 x 117
Weight	kg	128	128	124	124
Heating		natural convection / forced ventilation with Multifuoco System®. Ductable hot air	natural convection / forced ventilation with Multifuoco System®. Ductable hot air	natural convection	natural convection
Front ventilation		fixed outlet	fixed outlet	fixed outlet	fixed outlet
Side ventilation		-	-	-	-
Cladding		majolica	majolica	majolica	majolica
Stove		airtight, steel, natural draught with balanced flue	airtight, steel, natural draught with balanced flue	airtight, steel, natural draught with balanced flue	airtight, steel, natural draught with balanced flue
Firebox		Aluker®	Aluker®	Aluker®	Aluker®
Burner		LPG	LPG	LPG	LPG
Door		steel with self-cleaning ceramic glass resistant up to 750°C	steel with self-cleaning ceramic glass resistant up to 750°C	steel with self-cleaning ceramic glass resistant up to 750°C	steel with self-cleaning ceramic glass resistant up to 750°C
Ceramic glass		self-cleaning, with ultra-fine mesh for safety touch protection	self-cleaning, with ultra-fine mesh for safety touch protection	self-cleaning, with ultra-fine mesh for safety touch protection	self-cleaning, with ultra-fine mesh for safety touch protection
Standard flue outlet position		rear	rear	rear	rear
Power levels		6 levels	6 levels	6 levels	6 levels
LCD remote control		yes	yes	yes	yes
Ceramic logs and coals		standard	standard	standard	standard
Ceramic pebbles		optional	optional	optional	optional
Installation		wall - corner	wall - corner	wall - corner	wall - corner

\* Calculated on the basis of nominal heat output, referring to rooms with a heating requirement between 0.060 and 0.035 kW per m<sup>3</sup>. We recommend always contacting a heating engineer for the final calculations.

[1] Valid only for forced ventilation versions with the Multifuoco System®.

Power supply: 230V - 50 Hz.



# GAS STOVES

## Data charts - LPG Version



G963 D - LPG		G963 M - LPG		G963 M - LPG	
Propane	Propane/Butane	Propane	Propane/Butane	Propane	Propane/Butane
Version with Multifuoco System® as standard feature	Version with Multifuoco System® as standard feature	Natural convection version	Natural convection version	Version with Multifuoco System® as standard feature	Version with Multifuoco System® as standard feature
yes	yes	-	-	yes	yes
yes	yes	-	-	yes	yes
yes	yes	yes	yes	yes	yes
yes	yes	yes	yes	yes	yes
G963 MF/LPG D	G963 MF/LPG D	G963 LPG M	G963 LPG M	G963 MF/LPG M	G963 MF/LPG M
-	-	-	-	-	-
C	C	D	C	C	C
100 - 170	110 - 190	100 - 170	110 - 190	100 - 170	110 - 190
3,5 - 5,8	4,0 - 6,5	3,5 - 5,8	4,0 - 6,5	3,5 - 5,8	4,0 - 6,5
81,6 - 84,5	83,0 - 85,3	81,6 - 81,6	83,0 - 83,0	81,6 - 84,5	83,0 - 85,3
0,1 - 0,2	0,1 - 0,1	0,1 - 0,2	0,1 - 0,1	0,1 - 0,2	0,1 - 0,1
10/15	10/15	10/15	10/15	10/15	10/15
57 x 52 x 117	57 x 52 x 117	57 x 53 x 118	57 x 53 x 118	57 x 53 x 118	57 x 53 x 118
128	128	124	124	128	128
natural convection / forced ventilation with Multifuoco System®. Ductable hot air fixed outlet	natural convection / forced ventilation with Multifuoco System®. Ductable hot air fixed outlet	natural convection fixed outlet	natural convection fixed outlet	natural convection / forced ventilation with Multifuoco System®. Ductable hot air fixed outlet	natural convection / forced ventilation with Multifuoco System®. Ductable hot air fixed outlet
-	-	-	-	-	-
majolica airtight, steel, natural draught with balanced flue Aluker® LPG	majolica airtight, steel, natural draught with balanced flue Aluker® LPG	majolica airtight, steel, natural draught with balanced flue Aluker® LPG	majolica airtight, steel, natural draught with balanced flue Aluker® LPG	majolica airtight, steel, natural draught with balanced flue Aluker® LPG	majolica airtight, steel, natural draught with balanced flue Aluker® LPG
steel with self-cleaning ceramic glass resistant up to 750°C self-cleaning, with ultra-fine mesh for safety touch protection	steel with self-cleaning ceramic glass resistant up to 750°C self-cleaning, with ultra-fine mesh for safety touch protection	steel with self-cleaning ceramic glass resistant up to 750°C self-cleaning, with ultra-fine mesh for safety touch protection	steel with self-cleaning ceramic glass resistant up to 750°C self-cleaning, with ultra-fine mesh for safety touch protection	steel with self-cleaning ceramic glass resistant up to 750°C self-cleaning, with ultra-fine mesh for safety touch protection	steel with self-cleaning ceramic glass resistant up to 750°C self-cleaning, with ultra-fine mesh for safety touch protection
rear	rear	rear	rear	rear	rear
6 levels	6 levels	6 levels	6 levels	6 levels	6 levels
yes	yes	yes	yes	yes	yes
standard	standard	standard	standard	standard	standard
optional	optional	optional	optional	optional	optional
wall - corner	wall - corner	wall - corner	wall - corner	wall - corner	wall - corner

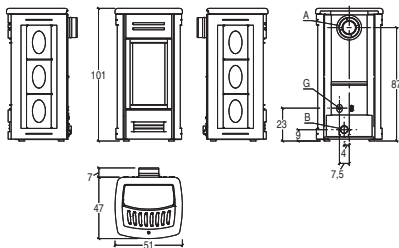
\* Calculated on the basis of nominal heat output, referring to rooms with a heating requirement between 0.060 and 0.035 kW per m<sup>3</sup>. We recommend always contacting a heating engineer for the final calculations.

[1] Valid only for forced ventilation versions with the Multifuoco System®.

Power supply: 230V - 50 Hz.

# GAS STOVES

## G958 - NG



A	B	G
107,15 cm	7,5 cm	G 12"

### GENERAL CHARACTERISTICS

- Heating: Natural convection / Forced ventilation with Multifuoco System®. Ductable hot air
- Front ventilation: fixed air vent
- Cladding: majolica
- Stove: airtight, steel, natural draught with balanced flue
- Firebox: Aluker®
- Burner: methane
- Door: steel with self-cleaning ceramic glass resistant up to 750°C
- Ceramic glass: self-cleaning, with ultra-fine mesh for safety touch protection
- Standard flue outlet position: rear
- Power setting: 6 levels
- LCD remote control: yes
- Ceramic logs and coals: standard
- Special ceramic pebbles: optional
- Installation: wall - corner

CODE EURO

VERSION	NATURAL CONVECTION	
TOTAL STOVE		<b>4.100,00</b>
Cladding	BIANCO GRIGIO	P06083410C 830,00
	BORDEAUX	P06083420C 830,00
	NERO OPACO	P06083160C 830,00
	TERRA ORIENTE	P06083550C 830,00

VERSION	NATURAL CONVECTION	
TOTAL STOVE		<b>4.235,00</b>
Cladding	BLU VERDEMARE	P06083110C 965,00
	ROSSO LAVA	P06083450C 965,00

Stove	G958 Natural gas natural convection	P76958110C	3.270,00
-------	-------------------------------------	------------	----------

#### Accessories on request

Ceramic pebbles pack 1,5 kg	P08099110C	21,00
-----------------------------	------------	-------

CODE EURO

VERSION	STANDARD ON MULTIFUOCO SYSTEM® DUCTABLE	
TOTAL STOVE		<b>4.595,00</b>
Cladding	BIANCO GRIGIO	P06083410C 830,00
	BORDEAUX	P06083420C 830,00
	NERO OPACO	P06083160C 830,00
	TERRA ORIENTE	P06083550C 830,00

VERSION	STANDARD ON MULTIFUOCO SYSTEM® DUCTABLE	
TOTAL STOVE		<b>4.730,00</b>
Cladding	BLU VERDEMARE	P06083110C 965,00
	ROSSO LAVA	P06083450C 965,00

Stove	G958 Natural gas forced ventilation	P76958100C	3.765,00
-------	-------------------------------------	------------	----------

#### Accessories on request

Ceramic pebbles pack 1,5 kg	P08099110C	21,00
-----------------------------	------------	-------

### TECHNICAL DATA

#### Natural convection version

• Model		G958 NG
• Energy efficiency class		D
• Room heating capacity (min - max)	m <sup>3</sup>	100 - 175
• Nominal heat output (min - max)	kW	2,5 - 6,0
• Thermal efficiency (min - max)	%	80,3 - 80,3
• Gas volume flow rate (min - max)	m <sup>3</sup> /h	0,2 - 0,6
• Stove weight	kg	103

#### Version with Multifuoco System® as standard feature

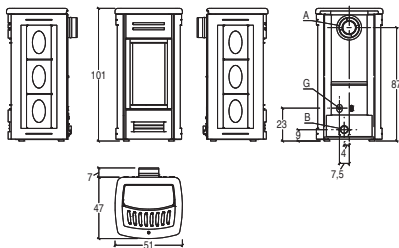
• Model		G958 MF/NG
• Energy efficiency class		D
• Room heating capacity (min - max)	m <sup>3</sup>	100 - 175
• Nominal heat output (min - max)	kW	2,5 - 6,0
• Thermal efficiency (min - max)	%	80,3 - 83,0
• Gas volume flow rate (min - max)	m <sup>3</sup> /h	0,2 - 0,6
• Stove weight	kg	107



All dimensions in cm.

# GAS STOVES

## G958 - LPG



A	B	G
10,15 cm	7,5 cm	G 12"

### GENERAL CHARACTERISTICS

- Heating: natural convection
- Front ventilation: fixed air vent
- Cladding / Top surface: majolica / majolica
- Stove: airtight, steel, natural draught with balanced flue
- Firebox: Aluker®
- Burner: LPG
- Ceramic glass: self-cleaning, with ultra-fine mesh for safety touch protection
- Standard flue outlet position: rear
- LCD remote control: yes
- Power level: 6 levels
- Ceramic logs and coals: standard
- Special ceramic pebbles: optional
- Installation: wall - corner
- Power setting: 6 levels

CODE EURO

VERSION	NATURAL CONVECTION	
TOTAL STOVE		<b>4.100,00</b>
Cladding	BIANCO GRIGIO	P06083410C 830,00
	BORDEAUX	P06083420C 830,00
	NERO OPACO	P06083160C 830,00
	TERRA ORIENTE	P06083550C 830,00
TOTAL STOVE		<b>4.235,00</b>
Cladding	BLU VERDEMARE	P06083110C 965,00
	ROSSO LAVA	P06083450C 965,00
Stove	G958 LPG natural convection	P76958010C 3.270,00
<b>Accessories on request</b>		
	Ceramic pebbles pack 1,5 kg	P08099110C 21,00

CODE EURO

VERSION	STANDARD ON MULTIFUOCO SYSTEM® DUCTABLE	
TOTAL STOVE		<b>4.595,00</b>
Cladding	BIANCO GRIGIO	P06083410C 830,00
	BORDEAUX	P06083420C 830,00
	NERO OPACO	P06083160C 830,00
	TERRA ORIENTE	P06083550C 830,00
TOTAL STOVE		<b>4.730,00</b>
Cladding	BLU VERDEMARE	P06083110C 965,00
	ROSSO LAVA	P06083450C 965,00
Stove	G958 LPG forced ventilation	P76958000C 3.765,00
<b>Accessories on request</b>		
	Ceramic pebbles pack 1,5 kg	P08099110C 21,00

### TECHNICAL DATA

#### Natural convection version

		Propane	Propane/Butane
• Model		G958 LPG	
• Energy efficiency class		D	
• Room heating capacity (min - max)	m <sup>3</sup>	75 - 130	85 - 145
• Nominal heat output (min - max)	kW	2,2 - 4,5	2,5 - 5,0
• Thermal efficiency (min - max)	%	78,6 - 78,6	80,1 - 80,1
• Gas volume flow rate (min - max)	m <sup>3</sup> /h	0,08 - 0,1	0,07 - 0,1
• Stove weight	kg	103	

#### Version with Multifuoco System® as standard feature

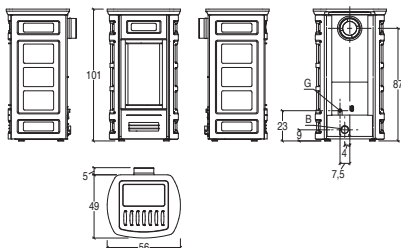
		Propane	Propane/Butane
• Model		G958 MF/LPG	
• Energy efficiency class		D	
• Room heating capacity (min - max)	m <sup>3</sup>	75 - 130	85 - 145
• Nominal heat output (min - max)	kW	2,2 - 4,5	2,5 - 5,0
• Thermal efficiency (min - max)	%	78,6 - 82,1	80,1 - 83,0
• Gas volume flow rate (min - max)	m <sup>3</sup> /h	0,08 - 0,1	0,07 - 0,1
• Stove weight	kg	107	



All dimensions in cm.

# GAS STOVES

## G958 C - NG



A	B	G
107.15 cm	7.5 cm	G 12"

### GENERAL CHARACTERISTICS

- Heating: natural convection
- Front ventilation: fixed air vent
- Cladding / Top surface: majolica / majolica
- Stove: airtight, steel, natural draught with balanced flue
- Firebox: Aluker®
- Burner: methane
- Ceramic glass: self-cleaning, with ultra-fine mesh for safety touch protection
- Standard flue outlet position: rear
- LCD remote control: yes
- Power level: 6 levels
- Ceramic logs and coals: standard
- Special ceramic pebbles: optional
- Installation: wall - corner
- Power setting: 6 levels

CODE EURO

VERSION	NATURAL CONVECTION	
TOTAL STOVE		<b>4.260,00</b>
Cladding	BIANCO MERINGA	P06044820C 990,00
	BORDEAUX	P06044420C 990,00
	TERRA ORIENTE	P06044550C 990,00
	VERDE MIRTO	P06044250C 990,00
TOTAL STOVE		<b>4.375,00</b>
Cladding	GIALLO ACCESO	P06044260C 1.105,00
	GRIGIO CERATO	P06044310C 1.105,00
Stove	G958 Natural gas natural convection	P76958110C 3.270,00
<b>Accessories on request</b>		
	Ceramic pebbles pack 1,5 kg	P08099110C 21,00

CODE EURO

VERSION	STANDARD ON MULTIFUOCO SYSTEM® DUCTABLE	
TOTAL STOVE		<b>4.755,00</b>
Cladding	BIANCO MERINGA	P06044820C 990,00
	BORDEAUX	P06044420C 990,00
	TERRA ORIENTE	P06044550C 990,00
	VERDE MIRTO	P06044250C 990,00
TOTAL STOVE		<b>4.870,00</b>
Cladding	GIALLO ACCESO	P06044260C 1.105,00
	GRIGIO CERATO	P06044310C 1.105,00
Stove	G958 Natural gas forced ventilation	P76958100C 3.765,00
<b>Accessories on request</b>		
	Ceramic pebbles pack 1,5 kg	P08099110C 21,00

### TECHNICAL DATA

#### Natural convection version

• Model		G958 NG C
• Energy efficiency class		D
• Room heating capacity (min - max)	m <sup>3</sup>	100 - 175
• Nominal heat output (min - max)	kW	2,5 - 6,0
• Thermal efficiency (min - max)	%	80,3 - 80,3
• Gas volume flow rate (min - max)	m <sup>3</sup> /h	0,2 - 0,6
• Stove weight	kg	103

#### Version with Multifuoco System® as standard feature

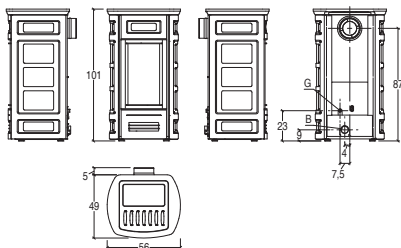
• Model		G958 MF/NG C
• Energy efficiency class		D
• Room heating capacity (min - max)	m <sup>3</sup>	100 - 175
• Nominal heat output (min - max)	kW	2,5 - 6,0
• Thermal efficiency (min - max)	%	80,3 - 83,0
• Gas volume flow rate (min - max)	m <sup>3</sup> /h	0,2 - 0,6
• Stove weight	kg	107



All dimensions in cm.

# GAS STOVES

## G958 C - LPG



A	B	G
10/15 cm	7,5 cm	G 1/2"

### GENERAL CHARACTERISTICS

- Heating: natural convection
- Front ventilation: fixed air vent
- Cladding / Top surface: majolica / majolica
- Stove: airtight, steel, natural draught with balanced flue
- Firebox: Aluker®
- Burner: LPG
- Ceramic glass: self-cleaning, with ultra-fine mesh for safety touch protection
- Standard flue outlet position: rear
- LCD remote control: yes
- Power level: 6 levels
- Ceramic logs and coals: standard
- Special ceramic pebbles: optional
- Installation: wall - corner
- Power setting: 6 levels

CODE EURO

VERSION	NATURAL CONVECTION	
TOTAL STOVE		<b>4.260,00</b>
Cladding	BIANCO MERINGA	P06044820C 990,00
	BORDEAUX	P06044420C 990,00
	TERRA ORIENTE	P06044550C 990,00
	VERDE MIRTO	P06044250C 990,00
TOTAL STOVE		<b>4.375,00</b>
Cladding	GIALLO ACCESO	P06044260C 1.105,00
	GRIGIO CERATO	P06044310C 1.105,00
Stove	G958 LPG natural convection	P76958010C 3.270,00
<b>Accessories on request</b>		
	Ceramic pebbles pack 1,5 kg	P08099110C 21,00

CODE EURO

VERSION	STANDARD ON MULTIFUOCO SYSTEM® DUCTABLE	
TOTAL STOVE		<b>4.755,00</b>
Cladding	BIANCO MERINGA	P06044820C 990,00
	BORDEAUX	P06044420C 990,00
	TERRA ORIENTE	P06044550C 990,00
	VERDE MIRTO	P06044250C 990,00
TOTAL STOVE		<b>4.870,00</b>
Cladding	GIALLO ACCESO	P06044260C 1.105,00
	GRIGIO CERATO	P06044310C 1.105,00
Stove	G958 LPG forced ventilation	P76958000C 3.765,00
<b>Accessories on request</b>		
	Ceramic pebbles pack 1,5 kg	P08099110C 21,00

### TECHNICAL DATA

#### Natural convection version

		Propane	Propane/Butane
• Model		G958 LPG C	
• Energy efficiency class		D	
• Room heating capacity (min - max)	m³	75 - 130	85 - 145
• Nominal heat output (min - max)	kW	2,2 - 4,5	2,5 - 5,0
• Thermal efficiency (min - max)	%	78,6 - 78,6	80,1 - 80,1
• Gas volume flow rate (min - max)	m³/h	0,08 - 0,1	0,07 - 0,1
• Stove weight	kg	103	

#### Version with Multifuoco System® as standard feature

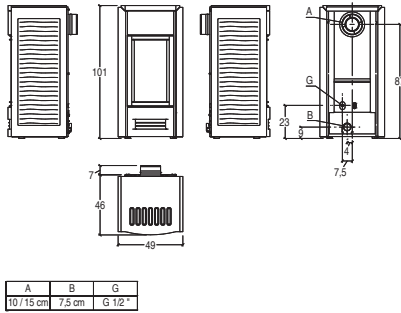
		Propane	Propane/Butane
• Model		G958 MF/LPG C	
• Energy efficiency class		D	
• Room heating capacity (min - max)	m³	75 - 130	85 - 145
• Nominal heat output (min - max)	kW	2,2 - 4,5	2,5 - 5,0
• Thermal efficiency (min - max)	%	78,6 - 82,1	80,1 - 83,0
• Gas volume flow rate (min - max)	m³/h	0,08 - 0,1	0,07 - 0,1
• Stove weight	kg	107	



All dimensions in cm.

# GAS STOVES

## G958 D - NG



### GENERAL CHARACTERISTICS

- Heating: natural convection
- Front ventilation: fixed air vent
- Cladding / Top surface: majolica / majolica
- Stove: airtight, steel, natural draught with balanced flue
- Firebox: Aluiker®
- Burner: methane
- Ceramic glass: self-cleaning, with ultra-fine mesh for safety touch protection
- Standard flue outlet position: rear
- LCD remote control: yes
- Power level: 6 levels
- Ceramic logs and coals: standard
- Special ceramic pebbles: optional
- Installation: wall - corner
- Power setting: 6 levels

CODE EURO

VERSION	NATURAL CONVECTION	
TOTAL STOVE		<b>4.100,00</b>
Cladding	ARDESIA	P06048240C 830,00
	BIANCO ANTICO	P06048640C 830,00
	CANAPA	P06048350C 830,00
	TERRA COTTA	P06048090C 830,00

TOTAL STOVE		<b>4.235,00</b>
Cladding	GIALLO ACCESO	P06048260C 965,00
	ROSSO LAVA	P06048450C 965,00

Stove	G958 Natural gas natural convection	P76958110C	3.270,00
-------	-------------------------------------	------------	----------

#### Accessories on request

Ceramic pebbles pack 1,5 kg	P08099110C	21,00
-----------------------------	------------	-------

CODE EURO

VERSION	STANDARD ON MULTIFUOCO SYSTEM® DUCTABLE	
TOTAL STOVE		<b>4.595,00</b>
Cladding	ARDESIA	P06048240C 830,00
	BIANCO ANTICO	P06048640C 830,00
	CANAPA	P06048350C 830,00
	TERRA COTTA	P06048090C 830,00

TOTAL STOVE		<b>4.730,00</b>
Cladding	GIALLO ACCESO	P06048260C 965,00
	ROSSO LAVA	P06048450C 965,00

Stove	G958 Natural gas forced ventilation	P76958100C	3.765,00
-------	-------------------------------------	------------	----------

#### Accessories on request

Ceramic pebbles pack 1,5 kg	P08099110C	21,00
-----------------------------	------------	-------

### TECHNICAL DATA

#### Natural convection version

• Model		G958 NG D
• Energy efficiency class		D
• Room heating capacity (min - max)	m <sup>3</sup>	100 - 175
• Nominal heat output (min - max)	kW	2,5 - 6,0
• Thermal efficiency (min - max)	%	80,3 - 80,3
• Gas volume flow rate (min - max)	m <sup>3</sup> /h	0,2 - 0,6
• Stove weight	kg	103

#### Version with Multifuoco System® as standard feature

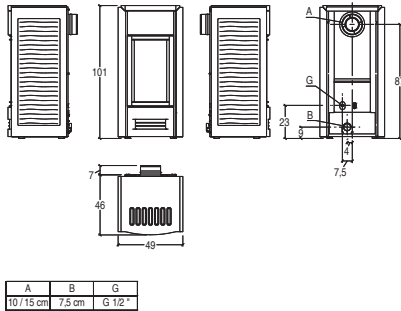
• Model		G958 MF/NG D
• Energy efficiency class		D
• Room heating capacity (min - max)	m <sup>3</sup>	100 - 175
• Nominal heat output (min - max)	kW	2,5 - 6,0
• Thermal efficiency (min - max)	%	80,3 - 83,0
• Gas volume flow rate (min - max)	m <sup>3</sup> /h	0,2 - 0,6
• Stove weight	kg	107



All dimensions in cm.

# GAS STOVES

## G958 D - LPG



### GENERAL CHARACTERISTICS

- Heating: natural convection
- Front ventilation: fixed air vent
- Cladding / Top surface: majolica / majolica
- Stove: airtight, steel, natural draught with balanced flue
- Firebox: Aluker®
- Burner: LPG
- Ceramic glass: self-cleaning, with ultra-fine mesh for safety touch protection
- Standard flue outlet position: rear
- LCD remote control: yes
- Power level: 6 levels
- Ceramic logs and coals: standard
- Special ceramic pebbles: optional
- Installation: wall - corner
- Power setting: 6 levels

CODE EURO

VERSION	NATURAL CONVECTION	
TOTAL STOVE		<b>4.100,00</b>
Cladding	ARDESIA	P06048240C 830,00
	BIANCO ANTICO	P06048640C 830,00
	CANAPA	P06048350C 830,00
	TERRA COTTA	P06048090C 830,00
TOTAL STOVE		<b>4.235,00</b>
Cladding	GIALLO ACCESO	P06048260C 965,00
	ROSSO LAVA	P06048450C 965,00
Stove	G958 LPG natural convection	P76958010C 3.270,00
<b>Accessories on request</b>		
	Ceramic pebbles pack 1,5 kg	P08099110C 21,00

CODE EURO

VERSION	STANDARD ON MULTIFUOCO SYSTEM® DUCTABLE	
TOTAL STOVE		<b>4.595,00</b>
Cladding	ARDESIA	P06048240C 830,00
	BIANCO ANTICO	P06048640C 830,00
	CANAPA	P06048350C 830,00
	TERRA COTTA	P06048090C 830,00
TOTAL STOVE		<b>4.730,00</b>
Cladding	GIALLO ACCESO	P06048260C 965,00
	ROSSO LAVA	P06048450C 965,00
Stove	G958 LPG forced ventilation	P76958000C 3.765,00
<b>Accessories on request</b>		
	Ceramic pebbles pack 1,5 kg	P08099110C 21,00

### TECHNICAL DATA

#### Natural convection version

		Propane	Propane/Butane
• Model		G958 LPG D	
• Energy efficiency class		D	
• Room heating capacity (min - max)	m³	75 - 130	85 - 145
• Nominal heat output (min - max)	kW	2,2 - 4,5	2,5 - 5,0
• Thermal efficiency (min - max)	%	78,6 - 78,6	80,1 - 80,1
• Gas volume flow rate (min - max)	m³/h	0,08 - 0,1	0,07 - 0,1
• Stove weight	kg	103	

#### Version with Multifuoco System® as standard feature

		Propane	Propane/Butane
• Model		G958 MF/LPG D	
• Energy efficiency class		D	
• Room heating capacity (min - max)	m³	75 - 130	85 - 145
• Nominal heat output (min - max)	kW	2,2 - 4,5	2,5 - 5,0
• Thermal efficiency (min - max)	%	78,6 - 82,1	80,1 - 83,0
• Gas volume flow rate (min - max)	m³/h	0,08 - 0,1	0,07 - 0,1
• Stove weight	kg	107	

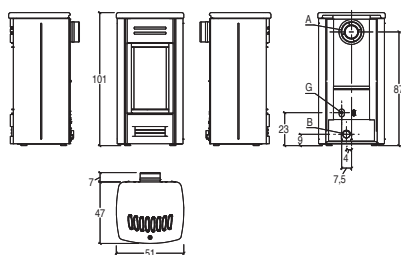


All dimensions in cm.



# GAS STOVES

## G958 M - NG



A	B	G
10/15 cm	7.5 cm	G 12"

### GENERAL CHARACTERISTICS

- Heating: natural convection
- Front ventilation: fixed air vent
- Cladding / Top surface: majolica / majolica
- Stove: airtight, steel, natural draught with balanced flue
- Firebox: Aluiker®
- Burner: methane
- Ceramic glass: self-cleaning, with ultra-fine mesh for safety touch protection
- Standard flue outlet position: rear
- LCD remote control: yes
- Power level: 6 levels
- Ceramic logs and coals: standard
- Special ceramic pebbles: optional
- Installation: wall - corner
- Power setting: 6 levels

VERSION	NATURAL CONVECTION	CODE	EURO
<b>TOTAL STOVE</b>			<b>4.100,00</b>
Cladding	NERO OPACO	P06045160C	830,00
<b>TOTAL STOVE</b>			<b>4.235,00</b>
Cladding	BIANCO GRIGIO	P06045410C	965,00
	ROSSO LAVA	P06045450C	965,00
Stove	G958 Natural gas natural convection	P76958110C	3.270,00
<b>Accessories on request</b>			
	Ceramic pebbles pack 1,5 kg	P08099110C	21,00

VERSION	STANDARD ON MULTIFUOCO SYSTEM® DUCTABLE	CODE	EURO
<b>TOTAL STOVE</b>			<b>4.595,00</b>
Cladding	NERO OPACO	P06045160C	830,00
<b>TOTAL STOVE</b>			<b>4.730,00</b>
Cladding	BIANCO GRIGIO	P06045410C	965,00
	ROSSO LAVA	P06045450C	965,00
Stove	G958 Natural gas forced ventilation	P76958100C	3.765,00
<b>Accessories on request</b>			
	Ceramic pebbles pack 1,5 kg	P08099110C	21,00

### TECHNICAL DATA

#### Natural convection version

• Model		G958 NG M
• Energy efficiency class		D
• Room heating capacity (min - max)	m <sup>3</sup>	100 - 175
• Nominal heat output (min - max)	kW	2,5 - 6,0
• Thermal efficiency (min - max)	%	80,3 - 80,3
• Gas volume flow rate (min - max)	m <sup>3</sup> /h	0,2 - 0,6
• Stove weight	kg	103

#### Version with Multifuoco System® as standard feature

• Model		G958 MF/NG M
• Energy efficiency class		D
• Room heating capacity (min - max)	m <sup>3</sup>	100 - 175
• Nominal heat output (min - max)	kW	2,5 - 6,0
• Thermal efficiency (min - max)	%	80,3 - 83,0
• Gas volume flow rate (min - max)	m <sup>3</sup> /h	0,2 - 0,6
• Stove weight	kg	107

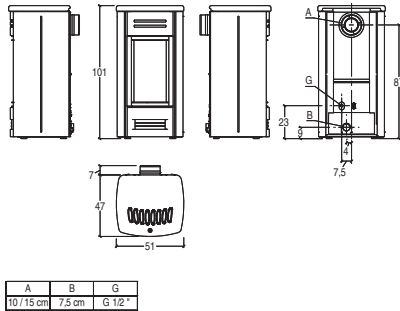


All dimensions in cm.



# GAS STOVES

## G958 M - LPG



### GENERAL CHARACTERISTICS

- Heating: natural convection
- Front ventilation: fixed air vent
- Cladding / Top surface: majolica / majolica
- Stove: airtight, steel, natural draught with balanced flue
- Firebox: Aluiker®
- Burner: LPG
- Ceramic glass: self-cleaning, with ultra-fine mesh for safety touch protection
- Standard flue outlet position: rear
- LCD remote control: yes
- Power level: 6 levels
- Ceramic logs and coals: standard
- Special ceramic pebbles: optional
- Installation: wall - corner
- Power setting: 6 levels

VERSION	NATURAL CONVECTION	CODE	EURO
<b>TOTAL STOVE</b>			<b>4.100,00</b>
Cladding	NERO OPACO	P06045160C	830,00
<b>TOTAL STOVE</b>			<b>4.235,00</b>
Cladding	BIANCO GRIGIO ROSSO LAVA	P06045410C P06045450C	965,00 965,00
Stove	G958 LPG natural convection	P76958010C	3.270,00
<b>Accessories on request</b>			
	Ceramic pebbles pack 1,5 kg	P08099110C	21,00

VERSION	STANDARD ON MULTIFUOCO SYSTEM® DUCTABLE	CODE	EURO
<b>TOTAL STOVE</b>			<b>4.595,00</b>
Cladding	NERO OPACO	P06045160C	830,00
<b>TOTAL STOVE</b>			<b>4.730,00</b>
Cladding	BIANCO GRIGIO ROSSO LAVA	P06045410C P06045450C	965,00 965,00
Stove	G958 LPG forced ventilation	P76958000C	3.765,00
<b>Accessories on request</b>			
	Ceramic pebbles pack 1,5 kg	P08099110C	21,00

### TECHNICAL DATA

#### Natural convection version

		Propane	Propane/Butane
• Model		G958 LPG M	
• Energy efficiency class		D	
• Room heating capacity (min - max)	m³	75 - 130	85 - 145
• Nominal heat output (min - max)	kW	2,2 - 4,5	2,5 - 5,0
• Thermal efficiency (min - max)	%	78,6 - 78,6	80,1 - 80,1
• Gas volume flow rate (min - max)	m³/h	0,08 - 0,1	0,07 - 0,1
• Stove weight	kg	103	

#### Version with Multifuoco System® as standard feature

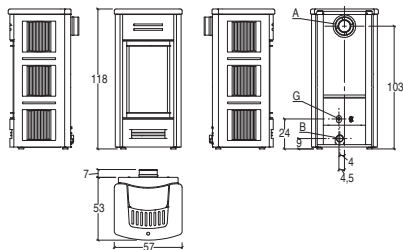
		Propane	Propane/Butane
• Model		G958 MF/LPG M	
• Energy efficiency class		D	
• Room heating capacity (min - max)	m³	75 - 130	85 - 145
• Nominal heat output (min - max)	kW	2,2 - 4,5	2,5 - 5,0
• Thermal efficiency (min - max)	%	78,6 - 82,1	80,1 - 83,0
• Gas volume flow rate (min - max)	m³/h	0,08 - 0,1	0,07 - 0,1
• Stove weight	kg	107	



All dimensions in cm.

# GAS STOVES

## G963 - NG



A	B	G
10/15 cm	7,5 cm	G 1/2"

### GENERAL CHARACTERISTICS

- Heating: natural convection
- Front ventilation: fixed air vent
- Cladding / Top surface: majolica / majolica
- Stove: airtight, steel, natural draught with balanced flue
- Firebox: Aluiker®
- Burner: methane
- Ceramic glass: self-cleaning, with ultra-fine mesh for safety touch protection
- Standard flue outlet position: rear
- LCD remote control: yes
- Power level: 6 levels
- Ceramic logs and coals: standard
- Special ceramic pebbles: optional
- Installation: wall - corner
- Power setting: 6 levels

CODE EURO

VERSION	NATURAL CONVECTION	
TOTAL STOVE		<b>4.760,00</b>
Cladding	BIANCO GRIGIO	P06074410C 1.045,00
	BORDEAUX	P06074420C 1.045,00
	NERO OPACO	P06074160C 1.045,00
	TERRA ORIENTE	P06074550C 1.045,00

TOTAL STOVE		<b>4.870,00</b>
Cladding	GRIGIO CERATO	P06074310C 1.155,00
	ROSSO LAVA	P06074450C 1.155,00

Stove	G963 Natural gas natural convection	P76963110C 3.715,00
-------	-------------------------------------	---------------------

#### Accessories on request

Ceramic pebbles pack 2,5 kg	P08099050C 26,00
-----------------------------	------------------

CODE EURO

VERSION	STANDARD ON MULTIFUOCO SYSTEM® DUCTABLE	
TOTAL STOVE		<b>5.260,00</b>
Cladding	BIANCO GRIGIO	P06074410C 1.045,00
	BORDEAUX	P06074420C 1.045,00
	NERO OPACO	P06074160C 1.045,00
	TERRA ORIENTE	P06074550C 1.045,00

TOTAL STOVE		<b>5.370,00</b>
Cladding	GRIGIO CERATO	P06074310C 1.155,00
	ROSSO LAVA	P06074450C 1.155,00

Stove	G963 Natural gas forced ventilation	P76963100C 4.215,00
-------	-------------------------------------	---------------------

#### Accessories on request

Ceramic pebbles pack 2,5 kg	P08099050C 26,00
-----------------------------	------------------

### TECHNICAL DATA

#### Natural convection version

• Model		G963 NG
• Energy efficiency class		C
• Room heating capacity (min - max)	m <sup>3</sup>	150 - 260
• Nominal heat output (min - max)	kW	4,0 - 9,0
• Thermal efficiency (min - max)	%	83,9 - 83,9
• Gas volume flow rate (min - max)	m <sup>3</sup> /h	0,4 - 0,9
• Stove weight	kg	124

#### Version with Multifuoco System® as standard feature

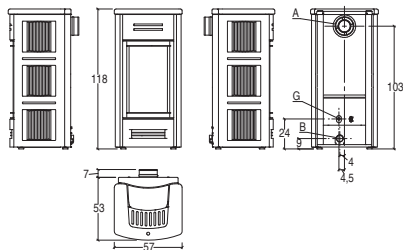
• Model		G963 MF/NG
• Energy efficiency class		C
• Room heating capacity (min - max)	m <sup>3</sup>	150 - 260
• Nominal heat output (min - max)	kW	4,0 - 9,0
• Thermal efficiency (min - max)	%	83,9 - 86,1
• Gas volume flow rate (min - max)	m <sup>3</sup> /h	0,4 - 0,9
• Stove weight	kg	128



All dimensions in cm.

# GAS STOVES

## G963 - LPG



A	B	G
10/15 cm	7,5 cm	G 1/2"

### GENERAL CHARACTERISTICS

- Heating: natural convection
- Front ventilation: fixed air vent
- Cladding / Top surface: majolica / majolica
- Stove: airtight, steel, natural draught with balanced flue
- Firebox: Aluker®
- Burner: LPG
- Ceramic glass: self-cleaning, with ultra-fine mesh for safety touch protection
- Standard flue outlet position: rear
- LCD remote control: yes
- Power level: 6 levels
- Ceramic logs and coals: standard
- Special ceramic pebbles: optional
- Installation: wall - corner
- Power setting: 6 levels

CODE EURO

VERSION	NATURAL CONVECTION	
TOTAL STOVE		<b>4.760,00</b>
Cladding	BIANCO GRIGIO	P06074410C 1.045,00
	BORDEAUX	P06074420C 1.045,00
	NERO OPACO	P06074160C 1.045,00
	TERRA ORIENTE	P06074550C 1.045,00
TOTAL STOVE		<b>4.870,00</b>
Cladding	GRIGIO CERATO	P06074310C 1.155,00
	ROSSO LAVA	P06074450C 1.155,00
Stove	G963 LPG natural convection	P76963010C 3.715,00
<b>Accessories on request</b>		
	Ceramic pebbles pack 2,5 kg	P08099050C 26,00

CODE EURO

VERSION	STANDARD ON MULTIFUOCO SYSTEM® DUCTABLE	
TOTAL STOVE		<b>5.260,00</b>
Cladding	BIANCO GRIGIO	P06074410C 1.045,00
	BORDEAUX	P06074420C 1.045,00
	NERO OPACO	P06074160C 1.045,00
	TERRA ORIENTE	P06074550C 1.045,00
TOTAL STOVE		<b>5.370,00</b>
Cladding	GRIGIO CERATO	P06074310C 1.155,00
	ROSSO LAVA	P06074450C 1.155,00
Stove	G963 LPG forced ventilation	P76963000C 4.215,00
<b>Accessories on request</b>		
	Ceramic pebbles pack 2,5 kg	P08099050C 26,00

### TECHNICAL DATA

#### Natural convection version

		Propane	Propane/Butane
		G963 LPG	
		D	C
• Model			
• Energy efficiency class			
• Room heating capacity (min - max)	m <sup>3</sup>	100 - 170	110 - 190
• Nominal heat output (min - max)	kW	3,5 - 5,8	4,0 - 6,5
• Thermal efficiency (min - max)	%	81,6 - 81,6	83,0 - 83,0
• Gas volume flow rate (min - max)	m <sup>3</sup> /h	0,1 - 0,2	0,1 - 0,1
• Stove weight	kg	124	

#### Version with Multifuoco System® as standard feature

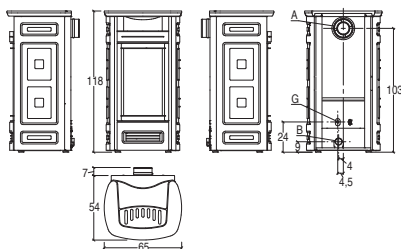
		Propane	Propane/Butane
		G963 MF/LPG	
		C	
• Model			
• Energy efficiency class			
• Room heating capacity (min - max)	m <sup>3</sup>	100 - 170	110 - 190
• Nominal heat output (min - max)	kW	3,5 - 5,8	4,0 - 6,5
• Thermal efficiency (min - max)	%	81,6 - 84,5	83,0 - 85,3
• Gas volume flow rate (min - max)	m <sup>3</sup> /h	0,1 - 0,2	0,1 - 0,1
• Stove weight	kg	128	



All dimensions in cm.

# GAS STOVES

## G963 C - NG



A	B	G
107,15 cm	7,5 cm	G 12"

### GENERAL CHARACTERISTICS

- Heating: natural convection
- Front ventilation: fixed air vent
- Cladding / Top surface: majolica / majolica
- Stove: airtight, steel, natural draught with balanced flue
- Firebox: Aluiker®
- Burner: methane
- Ceramic glass: self-cleaning, with ultra-fine mesh for safety touch protection
- Standard flue outlet position: rear
- LCD remote control: yes
- Power level: 6 levels
- Ceramic logs and coals: standard
- Special ceramic pebbles: optional
- Installation: wall - corner
- Power setting: 6 levels

CODE EURO

VERSION	NATURAL CONVECTION	
TOTAL STOVE		<b>4.870,00</b>
Cladding	BIANCO MERINGA	P06046820C 1.155,00
	BORDEAUX	P06046420C 1.155,00
	TERRA ORIENTE	P06046550C 1.155,00
	VERDE MIRTO	P06046250C 1.155,00

TOTAL STOVE		<b>4.995,00</b>
Cladding	GIALLO ACCESO	P06046260C 1.280,00
	GRIGIO CERATO	P06046310C 1.280,00

Stove	G963 Natural gas natural convection	P76963110C 3.715,00
-------	-------------------------------------	---------------------

#### Accessories on request

Ceramic pebbles pack 2,5 kg	P08099050C 26,00
-----------------------------	------------------

CODE EURO

VERSION	STANDARD ON MULTIFUOCO SYSTEM® DUCTABLE	
TOTAL STOVE		<b>5.370,00</b>
Cladding	BIANCO MERINGA	P06046820C 1.155,00
	BORDEAUX	P06046420C 1.155,00
	TERRA ORIENTE	P06046550C 1.155,00
	VERDE MIRTO	P06046250C 1.155,00

TOTAL STOVE		<b>5.495,00</b>
Cladding	GIALLO ACCESO	P06046260C 1.280,00
	GRIGIO CERATO	P06046310C 1.280,00

Stove	G963 Natural gas forced ventilation	P76963100C 4.215,00
-------	-------------------------------------	---------------------

#### Accessories on request

Ceramic pebbles pack 2,5 kg	P08099050C 26,00
-----------------------------	------------------

### TECHNICAL DATA

#### Natural convection version

• Model		G963 NG C
• Energy efficiency class		C
• Room heating capacity (min - max)	m <sup>3</sup>	150 - 260
• Nominal heat output (min - max)	kW	4,0 - 9,0
• Thermal efficiency (min - max)	%	83,9 - 83,9
• Gas volume flow rate (min - max)	m <sup>3</sup> /h	0,4 - 0,9
• Stove weight	kg	124

#### Version with Multifuoco System® as standard feature

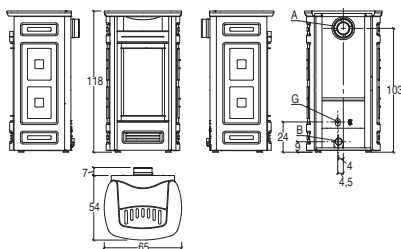
• Model		G963 MF/NG C
• Energy efficiency class		C
• Room heating capacity (min - max)	m <sup>3</sup>	150 - 260
• Nominal heat output (min - max)	kW	4,0 - 9,0
• Thermal efficiency (min - max)	%	83,9 - 86,1
• Gas volume flow rate (min - max)	m <sup>3</sup> /h	0,4 - 0,9
• Stove weight	kg	128



All dimensions in cm.

# GAS STOVES

## G963 C - LPG



A	B	G
10/15 cm	7,5 cm	G 1/2"

### GENERAL CHARACTERISTICS

- Heating: natural convection / forced ventilation with Multifuoco System®. Ductable hot air
- Front ventilation: fixed air vent
- Cladding / Top surface: majolica / majolica
- Stove: airtight, steel, natural draught with balanced flue
- Firebox: Aluiker®
- Burner: LPG
- Ceramic glass: self-cleaning, with ultra-fine mesh for safety touch protection
- Standard flue outlet position: rear
- LCD remote control: yes
- Ceramic logs and coals: standard
- Special ceramic pebbles: optional
- Installation: wall - corner
- Power setting: 6 levels

CODE EURO

VERSION	NATURAL CONVECTION	
TOTAL STOVE		<b>4.870,00</b>
Cladding	BIANCO MERINGA	P06046820C 1.155,00
	BORDEAUX	P06046420C 1.155,00
	TERRA ORIENTE	P06046550C 1.155,00
	VERDE MIRTO	P06046250C 1.155,00

TOTAL STOVE		<b>4.995,00</b>
Cladding	GIALLO ACCESO	P06046260C 1.280,00
	GRIGIO CERATO	P06046310C 1.280,00

Stove	G963 LPG natural convection	P76963010C 3.715,00
-------	-----------------------------	---------------------

#### Accessories on request

Ceramic pebbles pack 2,5 kg	P08099050C 26,00
-----------------------------	------------------

CODE EURO

VERSION	STANDARD ON MULTIFUOCO SYSTEM® DUCTABLE	
TOTAL STOVE		<b>5.370,00</b>
Cladding	BIANCO MERINGA	P06046820C 1.155,00
	BORDEAUX	P06046420C 1.155,00
	TERRA ORIENTE	P06046550C 1.155,00
	VERDE MIRTO	P06046250C 1.155,00

TOTAL STOVE		<b>5.495,00</b>
Cladding	GIALLO ACCESO	P06046260C 1.280,00
	GRIGIO CERATO	P06046310C 1.280,00

Stove	G963 LPG forced ventilation	P76963000C 4.215,00
-------	-----------------------------	---------------------

#### Accessories on request

Ceramic pebbles pack 2,5 kg	P08099050C 26,00
-----------------------------	------------------

### TECHNICAL DATA

#### Natural convection version

		Propane Propane/Butane	
		G963 LPG C	
		D	C
• Model			
• Energy efficiency class			
• Room heating capacity (min - max)	m³	100 - 170	110 - 190
• Nominal heat output (min - max)	kW	3,5 - 5,8	4,0 - 6,5
• Thermal efficiency (min - max)	%	81,6 - 81,6	83,0 - 83,0
• Gas volume flow rate (min - max)	m³/h	0,1 - 0,2	0,1 - 0,1
• Stove weight	kg	124	

#### Version with Multifuoco System® as standard feature

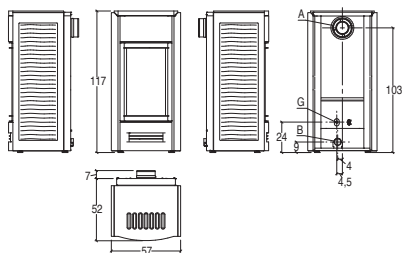
		Propane Propane/Butane	
		G963 MF/LPG C	
		C	
• Model			
• Energy efficiency class			
• Room heating capacity (min - max)	m³	100 - 170	110 - 190
• Nominal heat output (min - max)	kW	3,5 - 5,8	4,0 - 6,5
• Thermal efficiency (min - max)	%	81,6 - 84,5	83,0 - 85,3
• Gas volume flow rate (min - max)	m³/h	0,1 - 0,2	0,1 - 0,1
• Stove weight	kg	128	



All dimensions in cm.

# GAS STOVES

## G963 D - NG



A	B	G
10/15 cm	7,5 cm	G 1/2"

### GENERAL CHARACTERISTICS

- Heating: natural convection
- Front ventilation: fixed air vent
- Cladding / Top surface: majolica / majolica
- Stove: airtight, steel, natural draught with balanced flue
- Firebox: Aluiker®
- Burner: methane
- Ceramic glass: self-cleaning, with ultra-fine mesh for safety touch protection
- Standard flue outlet position: rear
- LCD remote control: yes
- Power level: 6 levels
- Ceramic logs and coals: standard
- Special ceramic pebbles: optional
- Installation: wall - corner
- Power setting: 6 levels

CODE EURO

VERSION	NATURAL CONVECTION	
TOTAL STOVE		<b>4.760,00</b>
Cladding	ARDESIA	P06049240C 1.045,00
	BIANCO ANTICO	P06049640C 1.045,00
	CANAPA	P06049350C 1.045,00
	TERRA COTTA	P06049090C 1.045,00

TOTAL STOVE		<b>4.870,00</b>
Cladding	GIALLO ACCESO	P06049260C 1.155,00
	ROSSO LAVA	P06049450C 1.155,00

Stove	G963 Natural gas natural convection	P76963110C 3.715,00
-------	-------------------------------------	---------------------

#### Accessories on request

Ceramic pebbles pack 2,5 kg	P08099050C 26,00
-----------------------------	------------------

CODE EURO

VERSION	STANDARD ON MULTIFUOCO SYSTEM® DUCTABLE	
TOTAL STOVE		<b>5.260,00</b>
Cladding	ARDESIA	P06049240C 1.045,00
	BIANCO ANTICO	P06049640C 1.045,00
	CANAPA	P06049350C 1.045,00
	TERRA COTTA	P06049090C 1.045,00

TOTAL STOVE		<b>5.370,00</b>
Cladding	GIALLO ACCESO	P06049260C 1.155,00
	ROSSO LAVA	P06049450C 1.155,00

Stove	G963 Natural gas forced ventilation	P76963100C 4.215,00
-------	-------------------------------------	---------------------

#### Accessories on request

Ceramic pebbles pack 2,5 kg	P08099050C 26,00
-----------------------------	------------------

### TECHNICAL DATA

#### Natural convection version

• Model		G963 NG D
• Energy efficiency class		C
• Room heating capacity (min - max)	m <sup>3</sup>	150 - 260
• Nominal heat output (min - max)	kW	4,0 - 9,0
• Thermal efficiency (min - max)	%	83,9 - 83,9
• Gas volume flow rate (min - max)	m <sup>3</sup> /h	0,4 - 0,9
• Stove weight	kg	124

#### Version with Multifuoco System® as standard feature

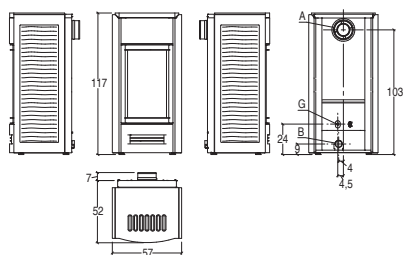
• Model		G963 MF/NG D
• Energy efficiency class		C
• Room heating capacity (min - max)	m <sup>3</sup>	150 - 260
• Nominal heat output (min - max)	kW	4,0 - 9,0
• Thermal efficiency (min - max)	%	83,9 - 86,1
• Gas volume flow rate (min - max)	m <sup>3</sup> /h	0,4 - 0,9
• Stove weight	kg	128



All dimensions in cm.

# GAS STOVES

## G963 D - LPG



A	B	G
10,15 cm	7,5 cm	G 1/2"

### GENERAL CHARACTERISTICS

- Heating: natural convection
- Front ventilation: fixed air vent
- Cladding / Top surface: majolica / majolica
- Stove: airtight, steel, natural draught with balanced flue
- Firebox: Aluker®
- Burner: LPG
- Ceramic glass: self-cleaning, with ultra-fine mesh for safety touch protection
- Standard flue outlet position: rear
- LCD remote control: yes
- Power level: 6 levels
- Ceramic logs and coals: standard
- Special ceramic pebbles: optional
- Installation: wall - corner
- Power setting: 6 levels

CODE EURO

VERSION	NATURAL CONVECTION	
TOTAL STOVE		<b>4.760,00</b>
Cladding	ARDESIA	P06049240C 1.045,00
	BIANCO ANTICO	P06049640C 1.045,00
	CANAPA	P06049350C 1.045,00
	TERRA COTTA	P06049090C 1.045,00
TOTAL STOVE		<b>4.870,00</b>
Cladding	GIALLO ACCESO	P06049260C 1.155,00
	ROSSO LAVA	P06049450C 1.155,00
Stove	G963 LPG natural convection	P76963010C 3.715,00
<b>Accessories on request</b>		
	Ceramic pebbles pack 2,5 kg	P08099050C 26,00

CODE EURO

VERSION	STANDARD ON MULTIFUOCO SYSTEM® DUCTABLE	
TOTAL STOVE		<b>5.260,00</b>
Cladding	ARDESIA	P06049240C 1.045,00
	BIANCO ANTICO	P06049640C 1.045,00
	CANAPA	P06049350C 1.045,00
	TERRA COTTA	P06049090C 1.045,00
TOTAL STOVE		<b>5.370,00</b>
Cladding	GIALLO ACCESO	P06049260C 1.155,00
	ROSSO LAVA	P06049450C 1.155,00
Stove	G963 LPG forced ventilation	P76963000C 4.215,00
<b>Accessories on request</b>		
	Ceramic pebbles pack 2,5 kg	P08099050C 26,00

### TECHNICAL DATA

#### Natural convection version

		Propane Propane/Butane	
		G963 LPG D	
		D	C
• Model			
• Energy efficiency class			
• Room heating capacity (min - max)	m³	100 - 170	110 - 190
• Nominal heat output (min - max)	kW	3,5 - 5,8	4,0 - 6,5
• Thermal efficiency (min - max)	%	81,6 - 81,6	83,0 - 83,0
• Gas volume flow rate (min - max)	m³/h	0,1 - 0,2	0,1 - 0,1
• Stove weight	kg	124	

#### Version with Multifuoco System® as standard feature

		Propane Propane/Butane	
		G963 MF/LPG D	
		C	
• Model			
• Energy efficiency class			
• Room heating capacity (min - max)	m³	100 - 170	110 - 190
• Nominal heat output (min - max)	kW	3,5 - 5,8	4,0 - 6,5
• Thermal efficiency (min - max)	%	81,6 - 84,5	83,0 - 85,3
• Gas volume flow rate (min - max)	m³/h	0,1 - 0,2	0,1 - 0,1
• Stove weight	kg	128	

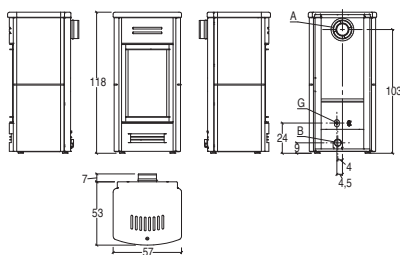


All dimensions in cm.



# GAS STOVES

## G963 M - NG



A	B	G
10/15 cm	7,5 cm	G 12"

### GENERAL CHARACTERISTICS

- Heating: natural convection
- Front ventilation: fixed air vent
- Cladding / Top surface: majolica / majolica
- Stove: airtight, steel, natural draught with balanced flue
- Firebox: Aluiker®
- Burner: methane
- Ceramic glass: self-cleaning, with ultra-fine mesh for safety touch protection
- Standard flue outlet position: rear
- LCD remote control: yes
- Power level: 6 levels
- Ceramic logs and coals: standard
- Special ceramic pebbles: optional
- Installation: wall - corner
- Power setting: 6 levels

CODE EURO

VERSION	NATURAL CONVECTION		
TOTAL STOVE			<b>4.760,00</b>
Cladding	NERO OPACO	P06047160C	1.045,00
TOTAL STOVE			<b>4.870,00</b>
Cladding	BIANCO GRIGIO	P06047410C	1.155,00
	ROSSO LAVA	P06047450C	1.155,00
Stove	G963 Natural gas natural convection	P76963110C	3.715,00
<b>Accessories on request</b>			
	Ceramic pebbles pack 2,5 kg	P08099050C	26,00

CODE EURO

VERSION	STANDARD ON MULTIFUOCO SYSTEM® DUCTABLE		
TOTAL STOVE			<b>5.260,00</b>
Cladding	NERO OPACO	P06047160C	1.045,00
TOTAL STOVE			<b>5.370,00</b>
Cladding	BIANCO GRIGIO	P06047410C	1.155,00
	ROSSO LAVA	P06047450C	1.155,00
Stove	G963 Natural gas forced ventilation	P76963100C	4.215,00
<b>Accessories on request</b>			
	Ceramic pebbles pack 2,5 kg	P08099050C	26,00

### TECHNICAL DATA

#### Natural convection version

• Model		G963 NG M
• Energy efficiency class		C
• Room heating capacity (min - max)	m <sup>3</sup>	150 - 260
• Nominal heat output (min - max)	kW	4,0 - 9,0
• Thermal efficiency (min - max)	%	83,9 - 83,9
• Gas volume flow rate (min - max)	m <sup>3</sup> /h	0,4 - 0,9
• Stove weight	kg	124

#### Version with Multifuoco System® as standard feature

• Model		G963 MF/NG M
• Energy efficiency class		C
• Room heating capacity (min - max)	m <sup>3</sup>	150 - 260
• Nominal heat output (min - max)	kW	4,0 - 9,0
• Thermal efficiency (min - max)	%	83,9 - 86,1
• Gas volume flow rate (min - max)	m <sup>3</sup> /h	0,4 - 0,9
• Stove weight	kg	128

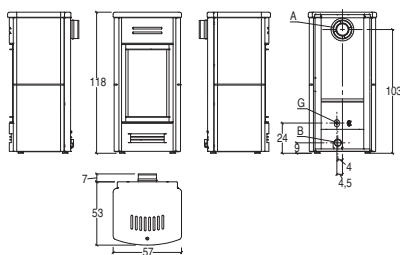


All dimensions in cm.



# GAS STOVES

## G963 M - LPG



A	B	G
10/15 cm	7,5 cm	G 1/2"

### GENERAL CHARACTERISTICS

- Heating: natural convection
- Front ventilation: fixed air vent
- Cladding / Top surface: majolica / majolica
- Stove: airtight, steel, natural draught with balanced flue
- Firebox: Aluiker®
- Burner: LPG
- Ceramic glass: self-cleaning, with ultra-fine mesh for safety touch protection
- Standard flue outlet position: rear
- LCD remote control: yes
- Power level: 6 levels
- Ceramic logs and coals: standard
- Special ceramic pebbles: optional
- Installation: wall - corner
- Power setting: 6 levels

VERSION	NATURAL CONVECTION	CODE	EURO
TOTAL STOVE			<b>4.760,00</b>
Cladding	NERO OPACO	P06047160C	1.045,00
TOTAL STOVE			<b>4.870,00</b>
Cladding	BIANCO GRIGIO	P06047410C	1.155,00
	ROSSO LAVA	P06047450C	1.155,00
Stove	G963 LPG natural convection	P76963010C	3.715,00
<b>Accessories on request</b>			
	Ceramic pebbles pack 2,5 kg	P08099050C	26,00

VERSION	STANDARD ON MULTIFUOCO SYSTEM® DUCTABLE	CODE	EURO
TOTAL STOVE			<b>5.260,00</b>
Cladding	NERO OPACO	P06047160C	1.045,00
TOTAL STOVE			<b>5.370,00</b>
Cladding	BIANCO GRIGIO	P06047410C	1.155,00
	ROSSO LAVA	P06047450C	1.155,00
Stove	G963 LPG forced ventilation	P76963000C	4.215,00
<b>Accessories on request</b>			
	Ceramic pebbles pack 2,5 kg	P08099050C	26,00

### TECHNICAL DATA

#### Natural convection version

		Propane	Propane/Butane
		G963 LPG M	
• Model		D	C
• Energy efficiency class			
• Room heating capacity (min - max)	m³	100 - 170	110 - 190
• Nominal heat output (min - max)	kW	3,5 - 5,8	4,0 - 6,5
• Thermal efficiency (min - max)	%	81,6 - 81,6	83,0 - 83,0
• Gas volume flow rate (min - max)	m³/h	0,1 - 0,2	0,1 - 0,1
• Stove weight	kg		124

#### Version with Multifuoco System® as standard feature

		Propane	Propane/Butane
		G963 MF/LPG M	
• Model			C
• Energy efficiency class			
• Room heating capacity (min - max)	m³	100 - 170	110 - 190
• Nominal heat output (min - max)	kW	3,5 - 5,8	4,0 - 6,5
• Thermal efficiency (min - max)	%	81,6 - 84,5	83,0 - 85,3
• Gas volume flow rate (min - max)	m³/h	0,1 - 0,2	0,1 - 0,1
• Stove weight	kg		128



All dimensions in cm.






# NATURAL GAS STOVES - LPG STOVES

## Accessories

### CERAMIC PEBBLES

ITEM	COMPATIBLE MODELS	CODE	EURO
 Ceramic pebbles pack 1,5 kg	Series G958	P08099110C	21,00
Ceramic pebbles pack 2,5 kg	Series G963	P08099050C	26,00








### ACCESSORIES FOR HOT AIR DUCTING

ITEM	DIMENSIONS IN CM	UNITS PER PACK	CODE	EURO
 Flexible aluminium pipe <sup>[1]</sup>	Ø 7,5	linear metre	N08011005	19,00 per linear metre
 Aluminium Y connector <sup>[2]</sup>	Ø 7,5	10	N08011006	30,00
 90° aluminium bend	Ø 7,5	10	N08011007	30,00
 Pipe clamp	Ø 7,5	50	N08011008	5,00
 Connector sleeve	Ø 7,5	50	N08011009	10,00


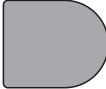
[1] Available in 30 meter roll, minimum order quantity: 1 meter.

[2] For connecting the Multifuoco System fan on all gas models to the flex pipe for ducting hot air. Can also be used for branching the hot air ducts.

### AIR VENTS

ITEM	DIMENSIONS IN CM	UNITS PER PACK	CODE	EURO
 Air vent with closure, enamelled white	L 25 x H 12 Ø 7,5	10	N08011001	58,00
 Wall air vent with closure, enamelled white	L 25 x H 11 Ø 7,5	6	N08011002	83,00
 Wall air vent, blasted steel	L 22 x H 5 Ø 7,5	1	NI08012400-0	154,00
 Wall air vent, black enamelled steel	L 22 x H 5 Ø 7,5	1	NI08014190-0	115,00
 Wall air vent, white enamelled steel	L 22 x H 5 Ø 7,5	1	NI08014400-0	115,00
 Air vent without closure, made of white-painted steel	L 9,5 x H 9,5 Ø 7,0	1	N08011003	64,00
 Air vent with closure, made of white-painted steel	L 9,5 x H 9,5 Ø 7,0	1	N08011004	70,00

### FLOOR PROTECTION


















ITEM	COMPATIBLE MODELS	DIMENSIONS IN CM	CODE	EURO
 Rectangular steel floor plate	All models	100x120	P08024300C	325,00
 Round edged steel floor plate	All models	100x120	P08024310C	325,00

# NATURAL GAS STOVES - LPG STOVES

## Accessories

### COAXIAL PIPES AND BENDS FOR GAS APPLIANCES

#### Air intake and fumes extraction products for sealed chamber units

ITEM	DIMENSIONS IN CM	Ø MM	CODE	EURO	
	Pipe	L 25	150	P08095000	85,00
		L 45	150	P08095010	105,00
		L 100	150	P08095020	152,00
	Telescopic pipe	L min 39 L max 64	150	P08095030	131,00
	Pipe with inspection	L 25	150	P08095210	131,00
	Bend 90°	-	150	P08095040	131,00
	Bend 45°	-	150	P08095050	111,00
	Bend 30°	-	150	P08095060	111,00
	Bend 15°	-	150	P08095070	118,00
	Roof chimney cap	H 29	150	P08095120	138,00
	Telescopic wall chimney cap	L min 36,5 L max 58,5	150	P08095110	228,00
	Chimney weathering	-	150	P08095270	53,00
	Chimney weathering for flat roof	-	150	P08095080	144,00
	Chimney weathering for sloped roof from 15° to 30°	-	150	P08095090	263,00
	Chimney weathering for sloped roof from 30° to 45°	-	150	P08095100	333,00
	Finishing plate 0° to 10° for sloped ceiling	-	150	P08095170	74,00
	Finishing plate 10° to 30° for sloped ceiling	-	150	P08095180	74,00
	Finishing plate 30° to 40° for sloped ceiling	-	150	P08095190	74,00
	Finishing plate 40° to 50° for sloped ceiling	-	150	P08095200	74,00
	Fire safety plate	-	150	P08095160	74,00
	Penetration kit for wooden roof/ceiling, inclination from 10° to 40°	-	100/150	PI08095790-0	615,00
		-	130/200	PI08095800-0	615,00
	Roof support	-	150	P08095220	74,00
	Floor support	-	150	P08095230	58,00
	Quick blocking safety clip	-	150	P08095130	21,00
	Wall fixing collar	-	150	P08095140	42,00
	Wall fixing clamp	-	150	P08095150	26,00

#### NOTE:

- The installation must employ the coaxial tubes supply by Gruppo Piazzetta S.p.A.
- It is recommended to order a telescopic pipe for every stove
- It is recommended to order a finishing plate for every ceiling.

## Piazzetta informs

# Majolica

**CHARACTERISTICS:** in order to appreciate the characteristic, it is necessary to be informed on this prestigious material.

- 1) Aesthetic functionality: the inner steel or cast iron burner is surrounded by majolica shapes and colours.
- 2) As a source of heating: majolica, given its natural semi-refractory characteristics, it resists to heat by accumulating it and diffusing it into the ambient air.

It is easy to understand that the larger the majolica piece the more heat it can radiate. Therefore the few and large sizes of the majolica pieces are to be appreciated for the fact that they distribute heat into the room and over time.

The fabrication of large pieces of majolica necessitates a know-how only achieved through a long experience over years in the field. Just stop to think each it takes 12 to 15 days to make a single piece of majolica, with the manual expertise of a dozen or so qualified ceramic masters. Thus due to the long process and manual craftsmanship put into each piece of majolica made by Piazzetta is considered to be unique piece of art work and no two exactly alike.

Important to note that the finishes (the liquid suspension of minerals, finely ground, applied onto the biscuit, which bake to fusion temperature, create a either glossy or dull finish) which chromatically enhance and beautify the "biscuit" (a name given to clay after its first baking process), are all part of controlled chemical reactions which inevitably leave way to phenomena like crazing, speckles and shading... which are not to be considered defects on the majolica but add characteristics of peculiarity to the final piece.

**CRAZING:** manifests itself on the enameled surface or in crystallization in an intricate form of cracking more or less visible to the naked eye. This is due to the different dilatation coefficient between enamel and the particular semi refractory principals of the biscuit (not to be confused with other materials like porcelain, stoneware, vitreous, fire clay etc...). The crazing distinguishes and characterizes this type of majolica for its specific usage: to cover a piece of material that radiates heat throughout.

**PITTING:** is present on the surface of the enamel or the crystalline in the form of pinholes. It is caused by gas bubbles, in the enamel itself or in the biscuit, that emerge on the surface through the vitreous mass during softening.

**SHADING:** typical of red enamels, it shows as clouds of tiny black dots caused by the chemical reaction of iron oxide present variable in the pigment itself. They are formed during the cooling phase after firing.

Despite the complexity of the multiple and variable results given by this particular, hand made and hand painted product, Gruppo Piazzetta ensures the utmost care in the manufacture and quality control of all its majolica production, which true connoisseurs do not hesitate to define as authentic artworks.

**SHADE DIFFERENCES:** shade differences might vary according to the shape of the majolica plates even within the same production lot. The biscuit, its shape, and the firing temperatures of each single glaze create colour shades that make each majolica plate unique.

---

## General sales terms and conditions

**ORDERS:** must be sent in written form by either email or fax (+39 423 527250).

The article number, article description and desired quantity must be specified. Order modifications and/or additions must be communicated to our sales department at least **TWO DAYS BEFORE** the confirmed loading date.

Customizing the majolica is possible with colors different from the ones indicated and bicolor versions, if possible. In these cases a 30% price increase must be applied.

**RETURNS:** any returns must be **AUTHORISED** exclusively by our **MANAGEMENT**.

Returns are accepted only if the product is in as-new condition, and will be credited at 70% of the purchase price. The return document must give the references of the delivery document or invoice issued by the Gruppo Piazzetta S.p.A. and the reason for the return.

**DISPUTES:** disputes will not be considered after 7 days from delivery date.

Gruppo Piazzetta **WARRANTY** reference will be expressed on the certificate accompanying **PIAZZETTA** products. A claim must be submitted, at time of delivery, against the transporter directly on the carrier document and copy of the document must be sent to our sales department in case of damages to the products caused during transportation.

**PAYMENT DELAY:** The delay of payment will result in an interest compensation towards Gruppo Piazzetta S.p.A. as per the Italian Legislative Decree 231/2002 and any subsequent amendments. Furthermore, the lack of total or partial payment of the invoices, will, at Gruppo Piazzetta's discretion, result in suspension or cancellation of all pending orders.

**WARRANTY:** Please consult the full document of the Warranty Contract, available on the website <https://easylife.piazzetta.com>.

The present price list annuls and replaces all preceding price lists. All products are packaged on non-returnable pallets. Prices are considered to be without VAT (government sales taxes). Gruppo Piazzetta S.p.A. reserves the right to modify and/or delete all printed material, if deemed necessary by Gruppo Piazzetta without any written or prior notice.

