

PRICE LIST
UPDATE NOVEMBER 2024



PRICE LIST

UPDATE NOVEMBER 2024

INDEX

Superior product range 3

PELLET STOVES

CAMILLA	12
CAROL FG	13
CAROL	14
CHIARA	15
CLEOPE FG	16
CLEOPE	17
CORINNA FG	18
CORINNA FG TOP	19
CORINNA TG	20
CORINNA TG TOP	21
GINGER	22
LIA	23
MARY FG	24
MARY	25
MARYON FG	26
MARYON	27
MELANY	28
MICOL FG	29
MICOL FG TOP	30
MICOL TG	31
MICOL TG TOP	32
MILLY	33
MOIRA	34
RITA	35
SABRINA	36
SALLY	37
SOLANGE	38
SONIA	39

PELLET INSERTS

SCP 7	47
SCP 9	48
SCP 11	49

PELLET STOVES - THERMO

TANYA TH	55
--------------------	----

PELLET-BURNING VENTILATED THERMO INSERTS

SCP 14 TH	60
---------------------	----

PELLET BOILERS

CPS 20	65
------------------	----

WOOD-BURNING STOVES

MALIKA WITH OVEN	80
MANILA	81
MIRTA	82
SAMUELA	83
SAVINA WITH OVEN	84
SIBILLA	85
SUSANNA	86

Superior informs. 90

General sales terms and conditions 91

SUPERIOR PRODUCT RANGE

STUFE A PELLET



NOMINAL HEAT OUTPUT	MODEL	FORCED VENTILATION	DUCTABLE	HERMETIC
6,0 kW	CAMILLA	•		•
	CAROL FG	•		•
	CAROL	•		•
	CHIARA	•	•	•
	CLEOPE FG	•		•
	CLEOPE	•		•
	CORINNA FG	•	•	•
	CORINNA TG	•	•	•
7,0 kW	GINGER	•		
8,0 kW	LIA	•	•	•
	MILLY	•	•	
8,5 kW	MARY FG	•		•
	MARY	•		•
	MARYON FG	•		•
	MARYON	•		•
	MELANY	•		•
	MICOL FG	•	•	•
	MICOL TG	•	•	•
	MOIRA	•	•	•
10,2 kW	SALLY	•		
	SABRINA	•		
	SOLANGE	•	•	
	SONIA	•	•	
11,2 kW	RITA	•	•	

PELLET INSERTS



NOMINAL HEAT OUTPUT	MODEL	FORCED VENTILATION
7,0 kW	SCP 7	•
9,0 kW	SCP 9	•
11,0 kW	SCP 11	•

PELLET STOVES - THERMO



NOMINAL WATER OUTPUT	MODEL	THERMO	FORCED VENTILATION
12,1 kW	TANYA TH	•	•

PELLET-BURNING VENTILATED THERMO INSERTS



NOMINAL WATER OUTPUT	MODEL	THERMO	FORCED VENTILATION
14,0 kW	SCP 14 TH	•	•

PELLET BOILERS



NOMINAL WATER OUTPUT	MODEL	THERMO
19,6 kW	CPS 20	•

WOOD-BURNING STOVES



NOMINAL HEAT OUTPUT	MODEL	WOOD-BURNING	WOOD-BURNING WITH OVEN
6,0 kW	MANILA	•	
	MIRTA	•	
6,2 kW	MALIKA		•
8,0 kW	SIBILLA	•	
	SAVINA		•
8,5 kW	SAMUELA	•	
	SUSANNA	•	

PELLET STOVES

Data charts	6
CAMILLA	12
CAROL FG	13
CAROL	14
CHIARA	15
CLEOPE FG	16
CLEOPE	17
CORINNA FG	18
CORINNA FG TOP	19
CORINNA TG	20
CORINNA TG TOP	21
GINGER	22
LIA	23
MARY FG	24
MARY	25
MARYON FG	26
MARYON	27
MELANY	28
MICOL FG	29
MICOL FG TOP	30
MICOL TG	31
MICOL TG TOP	32
MILLY	33
MOIRA	34
RITA	35
SABRINA	36
SALLY	37
SOLANGE	38
SONIA	39
Accessories	52

Pellet-burning stoves

Data charts



Technical data	Units	CAMILLA	CAROL FG	CAROL	CHIARA
Model		CAMILLA	CAROL FG	CAROL	CHIARA
Type		SP450-01	SP450-03	SP450-01	SP450-19A
Energy efficiency class		A+	A+	A+	A+
Dimensions W x D x H	mm	520 x 490 x 960	538 x 545 x 958	530 x 520 x 960	536 x 528 x 1052
Nominal heat output (min - max)	kW	2,8 - 6,0	2,8 - 6,0	2,8 - 6,0	2,7 - 6,0
Thermal efficiency (min - max)	%	90,3 - 91,3	89,1 - 90,8	90,3 - 91,3	≥ 91 - ≥ 91
Consumption (min - max)	kg/h	0,6 - 1,3	0,6 - 1,3	0,6 - 1,3	0,63 - 1,36
Standard flue outlet Ø	mm	80	80	80	80
Hopper capacity	kg	16,5	16,5	16,5	16,5
Stove weight	kg	90	96	86	112
Room heating capacity *	m³	100 - 175	100 - 175	100 - 175	100 - 175
Cladding		painting steel	painting steel	painting steel	painting steel
Top		cast iron	cast iron	cast iron	cast iron
Stove		airtight, steel	airtight, steel	airtight, steel	airtight, steel
Firebox		steel	cast iron	steel	cast iron
Upper baffle plate		Skamolex	Skamolex	Skamolex	Skamolex
Brazier		cast iron	cast iron	cast iron	cast iron
Door		cast iron	cast iron	cast iron	cast iron
Aesthetic door		-	steel with screen-printed tempered glass	-	-
Door handle		painting steel, detachable	painting steel, detachable	painting steel, detachable	painting steel, detachable
Standard flue outlet position		rear	rear	rear	rear
Optional flue outlet		RH side - LH side - top - top coaxial	RH side - LH side - top - top coaxial	RH side - LH side - top - top coaxial	-
Remote control		optional	optional	optional	optional
Display with digital controls		-	-	-	-
Power levels		5	5	5	5
Ambient probe for controlling the set temperature		standard	standard	standard	standard
Programmable timer-thermostat		6 daily time frames	6 daily time frames	6 daily time frames	6 daily time frames
Warm air outlets		front upper	front upper	front upper	front upper
Humidifier		optional	optional	optional	optional
Ceramic glass		resistant up to 750°C	resistant up to 750°C	resistant up to 750°C	resistant up to 750°C
Glass cleaning system		continuous air flow	continuous air flow	continuous air flow	continuous air flow
Brazier cleaning intervals		yes	yes	yes	yes
Pellet level indicator		yes	yes	yes	yes
Hot air ducting kit		-	-	-	optional
Optional ambient thermostat		-	-	-	-
Removable ash drawer		yes	yes	yes	yes
Module WiFi- Bluetoothfor App MYSUPERIOR		standard	standard	standard	standard
Energy Saving		yes	yes	yes	yes
Eco Function		yes	yes	yes	yes
Night mode		yes	yes	yes	yes
Installation **		wall - corner	wall - corner	wall - corner	wall - corner
Flush installation		-	-	-	-
Page		12	13	14	15

* Calculated on the basis of nominal heat output, referring to rooms with a heating requirement between 0.060 and 0.035 kW per m³. We recommend always contacting a heating engineer for the final calculations.

** Please refer to the instruction manual for details regarding the type of installation.

Pellet-burning stoves

Data charts



CLEOPE FG	CLEOPE	CORINNA FG	CORINNA FG TOP	CORINNA TG	CORINNA TG TOP
CLEOPE FG SP450-03	CLEOPE SP450-01	CORINNA FG SP450-25A	CORINNA FG TOP SP450-23A	CORINNA TG SP450-25A	CORINNA TG TOP SP450-23A
A+	A+	A+	A+	A+	A+
500 x 515 x 958	500 x 515 x 958	544 x 546 x 1153	544 x 546 x 1153	544 x 546 x 1153	544 x 546 x 1153
2,8 - 6,0	2,8 - 6,0	2,7 - 6,0	2,7 - 6,0	2,7 - 6,0	2,7 - 6,0
89,1 - 90,8	90,3 - 91,3	≥ 91 - ≥ 91	≥ 92 - ≥ 92	≥ 91 - ≥ 91	≥ 92 - ≥ 92
0,6 - 1,3	0,6 - 1,3	0,63 - 1,36	0,63 - 1,36	0,63 - 1,36	0,63 - 1,36
80	80	80	80	80	80
16,5	16,5	15,5	15,5	15,5	15,5
96	96	160	160	160	160
100 - 175	100 - 175	100 - 175	100 - 175	100 - 175	100 - 175
painted steel	painted steel	painted steel	painted steel	glass	glass
painted steel	cast iron	painted steel	painted steel	painted steel	painted steel
airtight, steel	airtight, steel	airtight, steel	airtight, steel	airtight, steel	airtight, steel
cast iron	steel	cast iron	cast iron	cast iron	cast iron
Skamolex	Skamolex	Skamolex	Skamolex	Skamolex	Skamolex
cast iron	cast iron	cast iron	cast iron	cast iron	cast iron
cast iron	cast iron	cast iron	cast iron	cast iron	cast iron
steel with screen-printed tempered glass	steel	steel with screen-printed tempered glass	steel with screen-printed tempered glass	steel with screen-printed tempered glass	steel with screen-printed tempered glass
painted steel, detachable	painted steel, detachable	painted steel, detachable	painted steel, detachable	painted steel, detachable	painted steel, detachable
rear	rear	rear	top - top coaxial, integrated	rear	top - top coaxial, integrated
RH side - LH side - top - top coaxial	RH side - LH side - top - top coaxial	-	-	-	-
optional	optional	optional	optional	optional	optional
-	-	-	-	-	-
5	5	5	5	5	5
standard	standard	standard	standard	standard	standard
6 daily time frames	6 daily time frames	6 daily time frames	6 daily time frames	6 daily time frames	6 daily time frames
front upper	front upper	front upper	front upper	front upper	front upper
optional	optional	optional	optional	optional	optional
resistant up to 750°C	resistant up to 750°C	resistant up to 750°C	resistant up to 750°C	resistant up to 750°C	resistant up to 750°C
continuous air flow	continuous air flow	continuous air flow	continuous air flow	continuous air flow	continuous air flow
yes	yes	yes	yes	yes	yes
yes	yes	yes	yes	yes	yes
-	-	optional	optional	optional	optional
-	-	-	-	-	-
yes	yes	yes	yes	yes	yes
standard	standard	standard	standard	standard	standard
yes	yes	yes	yes	yes	yes
yes	yes	yes	yes	yes	yes
yes	yes	yes	yes	yes	yes
wall - corner	wall - corner	wall - corner	wall - corner	wall - corner	wall - corner
-	-	-	-	-	-
16	17	18	19	20	21

Pellet-burning stoves

Data charts



Technical data	Units	GINGER	LIA	MARY FG	MARY
Model		GINGER	LIA-S	MARY FG	MARY
Type		YP103-01	SP124-01	SP450-04	SP450-02
Energy efficiency class		A+	A+	A+	A+
Dimensions W x D x H	mm	721 x 576 x 615	890 x 288 x 1125	500 x 515 x 1048	500 x 515 x 1048
Nominal heat output (min - max)	kW	3,5 - 7	3,7 - 8,0	3,3 - 8,5	3,3 - 8,5
Thermal efficiency (min - max)	%	≥ 90 - ≥ 90	88,5 - 88,7	88,4 - 91,5	89,3 - 91,2
Consumption (min - max)	kg/h	0,8 - 1,6	0,8 - 1,8	0,7 - 1,9	0,7 - 1,9
Standard flue outlet Ø	mm	80	80	80	80
Hopper capacity	kg	15	17	22	22
Stove weight	kg	150	120	98	82
Room heating capacity *	m³	120 - 200	135 - 230	145 - 245	145 - 245
Cladding		painted steel	painted steel	painted steel	painted steel
Top		painted steel	majolica	painted steel	painted steel
Stove		steel	airtight, steel	airtight, steel	airtight, steel
Firebox		cast iron	cast iron	cast iron	steel
Upper baffle plate		-	cast iron	Skamolex	Skamolex
Brazier		steel	cast iron	cast iron	cast iron
Door		cast iron	cast iron	cast iron	cast iron
Aesthetic door		-	-	steel with screen-printed tempered glass	steel
Door handle		painted steel, detachable	painted steel, detachable	painted steel, detachable	painted steel, detachable
Standard flue outlet position		rear	RH rear - top right	rear	rear
Optional flue outlet		top	top central - top right - RH side	RH side - LH side - top - top coaxial	RH side - LH side - top - top coaxial
Remote control		optional	optional	optional	optional
Display with digital controls		-	yes	-	-
Power levels		5	4	5	5
Ambient probe for controlling the set temperature		standard	standard	standard	standard
Programmable timer-thermostat		6 daily time frames	6 daily time frames	6 daily time frames	6 daily time frames
Warm air outlets		front upper	front upper	front upper	front upper
Humidifier		-	optional	optional	optional
Ceramic glass		resistant up to 750°C	resistant up to 750°C	resistant up to 750°C	resistant up to 750°C
Glass cleaning system		continuous air flow	continuous air flow	continuous air flow	continuous air flow
Brazier cleaning intervals		yes	yes	yes	yes
Pellet level indicator		yes	yes	yes	yes
Hot air ducting kit		-	optional	-	-
Optional ambient thermostat		-	-	-	-
Removable ash drawer		-	yes	yes	yes
Module WiFi- Bluetoothfor App MYSUPERIOR		standard	optional	standard	standard
Energy Saving		yes	yes	yes	yes
Eco Function		yes	yes	yes	yes
Night mode		yes	yes	yes	yes
Installation **		wall	wall	wall - corner	wall - corner
Flush installation		-	yes	-	-
Page		22	23	24	25

* Calculated on the basis of nominal heat output, referring to rooms with a heating requirement between 0.060 and 0.035 kW per m³. We recommend always contacting a heating engineer for the final calculations.

** Please refer to the instruction manual for details regarding the type of installation.

Pellet-burning stoves

Data charts



MARYON FG	MARYON	MELANY	MICOL FG	MICOL FG TOP	MICOL TG
MARYON FG	MARYON	MELANY	MICOL FG	MICOL FG TOP	MICOL TG
SP450-04	SP450-02	SP450-02	SP450-29A	SP450-27A	SP450-29A
A+	A+	A+	A+	A+	A+
540 x 545 x 1048	530 x 524 x 1048	520 x 490 x 1050	544 x 546 x 1153	544 x 546 x 1153	544 x 546 x 1153
3,3 - 8,5	3,3 - 8,5	3,3 - 8,5	3,3 - 8,5	3,3 - 8,5	3,3 - 8,5
88,4 - 91,5	89,3 - 91,2	89,3 - 91,2	≥ 91 - ≥ 91	≥ 92 - ≥ 92	≥ 91 - ≥ 91
0,7 - 1,9	0,7 - 1,9	0,7 - 1,9	0,75 - 1,92	0,75 - 1,92	0,75 - 1,92
80	80	80	80	80	80
22	22	22	15,5	15,5	15,5
98	98	88	160	160	160
145 - 245	145 - 245	145 - 245	145 - 245	145 - 245	145 - 245
painted steel	painted steel	painted steel	painted steel	painted steel	glass
painted steel	cast iron	cast iron	painted steel	painted steel	painted steel
airtight, steel	airtight, steel	airtight, steel	airtight, steel	airtight, steel	airtight, steel
cast iron	steel	steel	cast iron	cast iron	cast iron
Skamolex	Skamolex	Skamolex	Skamolex	Skamolex	Skamolex
cast iron	cast iron	cast iron	cast iron	cast iron	cast iron
cast iron	cast iron	cast iron	cast iron	cast iron	cast iron
steel with screen-printed tempered glass	-	-	steel with screen-printed tempered glass	steel with screen-printed tempered glass	steel with screen-printed tempered glass
painted steel, detachable	painted steel, detachable	painted steel, detachable	painted steel, detachable	painted steel, detachable	painted steel, detachable
rear	rear	rear	rear	top - top coaxial, integrated	rear
RH side - LH side - top - top coaxial	RH side - LH side - top - top coaxial	RH side - LH side - top - top coaxial	-	-	-
optional	optional	optional	optional	optional	optional
-	-	-	-	-	-
5	5	5	5	5	5
standard	standard	standard	standard	standard	standard
6 daily time frames	6 daily time frames	6 daily time frames	6 daily time frames	6 daily time frames	6 daily time frames
front upper	front upper	front upper	front upper	front upper	front upper
optional	optional	optional	optional	optional	optional
resistant up to 750°C	resistant up to 750°C	resistant up to 750°C	resistant up to 750°C	resistant up to 750°C	resistant up to 750°C
continuous air flow	continuous air flow	continuous air flow	continuous air flow	continuous air flow	continuous air flow
yes	yes	yes	yes	yes	yes
yes	yes	yes	yes	yes	yes
-	-	-	optional	optional	optional
-	-	-	-	-	-
yes	yes	yes	yes	yes	yes
standard	standard	standard	standard	standard	standard
yes	yes	yes	yes	yes	yes
yes	yes	yes	yes	yes	yes
yes	yes	yes	yes	yes	yes
wall - corner	wall - corner	wall - corner	wall - corner	wall - corner	wall - corner
-	-	-	-	-	-
26	27	28	29	30	31

Pellet-burning stoves

Data charts



Technical data	Units	MICOL TG TOP	MILLY	MOIRA	RITA
Model		MICOL TG TOP	MILLY	MOIRA	RITA
Type		SP450-27A	SP10/F-05	SP450-21 A	SP351-02
Energy efficiency class		A+	A+	A+	A+
Dimensions W x D x H	mm	544 x 546 x 1153	495 x 478 x 1070	536 x 528 x 1052	950 x 310 x 1260
Nominal heat output (min - max)	kW	3,3 - 8,5	3,9 - 8,0	3,3 - 8,5	4,1 - 11,2
Thermal efficiency (min - max)	%	≥ 92 - ≥ 92	87,5 - 87,1	≥ 91 - ≥ 91	90,0 - 90,3
Consumption (min - max)	kg/h	0,75 - 1,92	0,9 - 1,9	0,75 - 1,92	0,9 - 2,5
Standard flue outlet Ø	mm	80	80	80	80
Hopper capacity	kg	15,5	18	16,5	25
Stove weight	kg	160	98	112	170
Room heating capacity *	m³	145 - 245	135 - 230	145 - 245	190 - 320
Cladding		glass	painted steel	painted steel	painted steel
Top		painted steel	cast iron with majolica insert	painted steel	majolica
Stove		airtight, steel	steel	airtight, steel	steel
Firebox		cast iron	cast iron	cast iron	cast iron
Upper baffle plate		Skamolex	cast iron	Skamolex	cast iron
Brazier		cast iron	cast iron	cast iron	steel
Door		cast iron	cast iron	cast iron	cast iron
Aesthetic door		steel with screen-printed tempered glass	-	-	-
Door handle		painted steel, detachable	painted steel, detachable	painted steel, detachable	painted steel, detachable
Standard flue outlet position		top - top coaxial, integrated	rear	rear	RH rear - RH side - RH top
Optional flue outlet		-	-	-	LH rear - LH side
Remote control		optional	optional	optional	optional
Display with digital controls		-	yes	-	yes
Power levels		5	4	5	5
Ambient probe for controlling the set temperature		standard	standard	standard	standard
Programmable timer-thermostat		6 daily time frames	6 daily time frames	6 daily time frames	6 daily time frames
Warm air outlets		front upper	front upper	front upper	front upper
Humidifier		optional	optional	optional	optional
Ceramic glass		resistant up to 750°C	resistant up to 750°C	resistant up to 750°C	resistant up to 750°C
Glass cleaning system		continuous air flow	continuous air flow	continuous air flow	continuous air flow
Brazier cleaning intervals		yes	yes	yes	yes
Pellet level indicator		yes	yes	yes	yes
Hot air ducting kit		optional	optional	optional	optional
Optional ambient thermostat		-	-	-	separate control of ventilation
Removable ash drawer		yes	yes	yes	yes
Module WiFi- Bluetoothfor App MYSUPERIOR		standard	optional	standard	optional
Energy Saving		yes	yes	yes	yes
Eco Function		yes	yes	yes	yes
Night mode		yes	yes	yes	yes
Installation **		wall - corner	wall - corner	wall - corner	wall
Flush installation		-	-	-	yes
Page		32	33	34	35

* Calculated on the basis of nominal heat output, referring to rooms with a heating requirement between 0.060 and 0.035 kW per m³. We recommend always contacting a heating engineer for the final calculations.

** Please refer to the instruction manual for details regarding the type of installation.

Pellet-burning stoves

Data charts



Technical data	Units	SABRINA	SALLY	SOLANGE	SONIA
Model		SABRINA	SALLY	SOLANGE	SONIA
Type		SP40/E-01	SP40/E-02	SP40/E-02	SP40/E-02
Energy efficiency class		A+	A+	A+	A+
Dimensions W x D x H	mm	640 x 540 x 1150	570 x 555 x 1163	620 x 590 x 1245	610 x 530 x 1230
Nominal heat output (min - max)	kW	4,7 - 10,2	4,7 - 10,2	4,7 - 10,2	4,7 - 10,2
Thermal efficiency (min - max)	%	88,2 - 88,1	88,2 - 88,1	88,2 - 88,1	88,2 - 88,1
Consumption (min - max)	kg/h	1,1 - 2,3	1,1 - 2,3	1,1 - 2,3	1,1 - 2,3
Standard flue outlet Ø	mm	80	80	80	80
Hopper capacity	kg	30	30	32	32
Stove weight	kg	130	130	160	140
Room heating capacity *	m³	170 - 295	170 - 295	170 - 295	170 - 295
Cladding		painting steel	painting steel	painting steel	painting steel
Top		cast iron with majolica insert	steel	cast iron with majolica insert	cast iron with majolica insert
Stove		steel	steel	steel	steel
Firebox		cast iron	cast iron	cast iron	cast iron
Upper baffle plate		cast iron	cast iron	cast iron	cast iron
Brazier		cast iron	cast iron	cast iron	cast iron
Door		cast iron	cast iron	cast iron	cast iron
Aesthetic door		-	steel	-	-
Door handle		painting steel, detachable	painting steel, detachable	painting steel, detachable	painting steel, detachable
Standard flue outlet position		rear	rear	rear	rear
Optional flue outlet		LH side	LH side	RH side - LH side	RH side - LH side
Remote control		optional	optional	optional	optional
Display with digital controls		yes	yes	yes	yes
Power levels		5	5	5	5
Ambient probe for controlling the set temperature		standard	standard	standard	standard
Programmable timer-thermostat		6 daily time frames	6 daily time frames	6 daily time frames	6 daily time frames
Warm air outlets		front upper	front upper	front upper	front upper
Humidifier		optional	optional	optional	optional
Ceramic glass		resistant up to 750°C	resistant up to 750°C	resistant up to 750°C	resistant up to 750°C
Glass cleaning system		continuous air flow	continuous air flow	continuous air flow	continuous air flow
Brazier cleaning intervals		yes	yes	yes	yes
Pellet level indicator		yes	yes	yes	yes
Hot air ducting kit		-	-	optional	optional
Optional ambient thermostat		-	-	separate control of ventilation	-
Removable ash drawer		yes	yes	yes	yes
Module WiFi- Bluetoothfor App MYSUPERIOR		optional	optional	optional	optional
Energy Saving		yes	yes	yes	yes
Eco Function		yes	yes	yes	yes
Night mode		-	yes	yes	yes
Installation **		wall - corner	wall - corner	wall - corner	wall - corner
Flush installation		-	-	-	-
Page		36	37	38	39

PELLET STOVES

CAMILLA



GENERAL CHARACTERISTICS

- Heating
- Cladding
- Top
- Stove
- Firebox
- Upper baffle plate
- Brazier
- Door
- Door handle
- Ceramic glass
- Removable ash drawer
- Standard flue outlet position
- Optional flue outlet
- Ambient probe for temperature control
- Programmable timer-thermostat
- Warm air outlets
- Humidifier
- Pellet level indicator
- Brazier cleaning intervals
- Glass cleaning system
- Module WiFi- Bluetoothfor App MYSUPERIOR
- Energy Saving
- Eco Function
- Night mode
- Combustion air kit
- Optional remote control
- Power levels
- Installation

forced ventilation
 painted steel
 cast iron
 airtight, steel
 steel
 Skamolex
 cast iron
 cast iron
 painted steel, detachable
 resistant up to 750°C
 yes
 rear
 RH side - LH side - top - top
 coaxial
 standard
 standard
 6 daily time frames
 front upper
 optional
 optional
 yes
 yes
 continuous air flow
 standard
 standard
 yes
 yes
 yes
 standard
 optional
 5
 wall - corner

TECHNICAL DATA

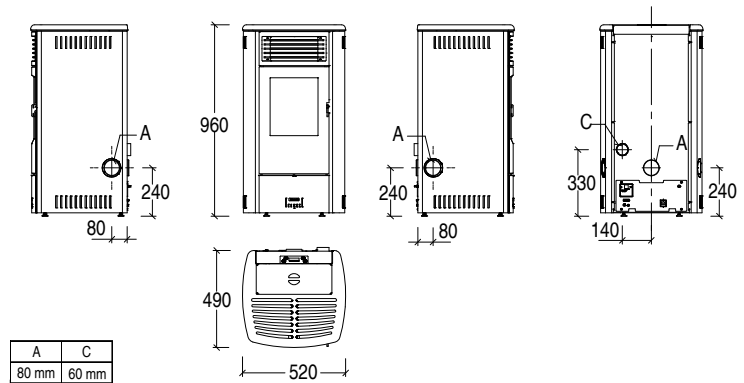
- Model
- Type
- Energy efficiency class
- Room heating capacity
- Nominal heat output (min - max)
- Thermal efficiency (min - max)
- Consumption (min - max)
- Standard flue outlet Ø
- Hopper capacity
- Dimensions W x D x H
- Stove weight

CAMILLA
 SP450-01
 A+
 m³ 100 - 175
 kW 2,8 - 6,0
 % 90,3 - 91,3
 kg/h 0,6 - 1,3
 mm 80
 kg 16,5
 mm 520 x 490 x 960
 kg 90

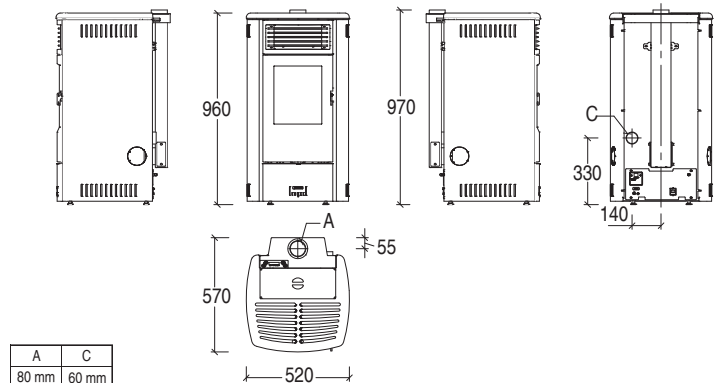


			TOTAL PRICE
Total price including stove and painted steel cladding			2.340,00
MODEL/COLOUR	CODE	EURO	
Firebox with cladding	BIANCO	S07600100C	2.340,00
	BORDEAUX	S07600200C	2.340,00
	NERO	S07600300C	2.340,00
ACCESSORIES ON REQUEST	CODE	EURO	
EASY Remote control	N08013030C	80,00	
Right-hand or left-hand side flue kit	N08011035C	90,00	
Top flue kit	N08011033C	285,00	
Top coaxial flue kit	N08011031C	435,00	
Humidifier	N08019053C	25,00	
Flexible pipe Ø 6 cm for combustion air	N08011017	19,00	
			per linear metre

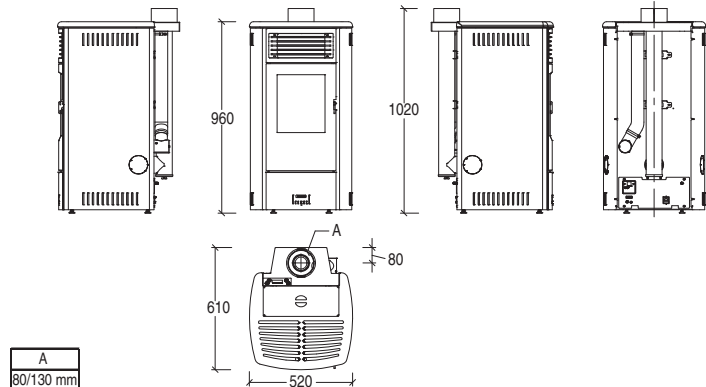
CAMILLA version with rear flue outlet, standard



CAMILLA version with top flue outlet, optional



CAMILLA version with coaxial flue outlet, optional



All drawing dimensions in mm.

PELLET STOVES

CAROL FG



GENERAL CHARACTERISTICS

- Heating
 - Cladding
 - Top
 - Stove
 - Firebox
 - Upper baffle plate
 - Brazier
 - Door
 - Aesthetic door
 - Door handle
 - Ceramic glass
 - Removable ash drawer
 - Standard flue outlet position
 - Optional flue outlet
 - Ambient probe for temperature control
 - Programmable timer-thermostat
 - Warm air outlets
 - Humidifier
 - Pellet level indicator
 - Brazier cleaning intervals
 - Glass cleaning system
 - Module WiFi- Bluetoothfor App MYSUPERIOR
 - Energy Saving
 - Eco Function
 - Night mode
 - Combustion air kit
 - Optional remote control
 - Power levels
 - Installation
- forced ventilation
 painted steel
 painted steel
 airtight, steel
 cast iron
 Skamolex
 cast iron
 cast iron
 steel with screen-printed
 tempered glass
 painted steel, detachable
 resistant up to 750°C
 yes
 rear
 RH side - LH side - top - top
 coaxial
 standard
 6 daily time frames
 front upper
 optional
 yes
 yes
 continuous air flow
 standard
 yes
 yes
 yes
 standard
 optional
 5
 wall - corner

TECHNICAL DATA

- Model
 - Type
 - Energy efficiency class
 - Room heating capacity
 - Nominal heat output (min - max)
 - Thermal efficiency (min - max)
 - Consumption (min - max)
 - Standard flue outlet Ø
 - Hopper capacity
 - Dimensions W x D x H
 - Stove weight
- CAROL FG
 SP450-03
 A+
 m³ 100 - 175
 kW 2,8 - 6,0
 % 89,1 - 90,8
 kg/h 0,6 - 1,3
 mm 80
 kg 16,5
 mm 538 x 545 x 958
 kg 96



TOTAL PRICE

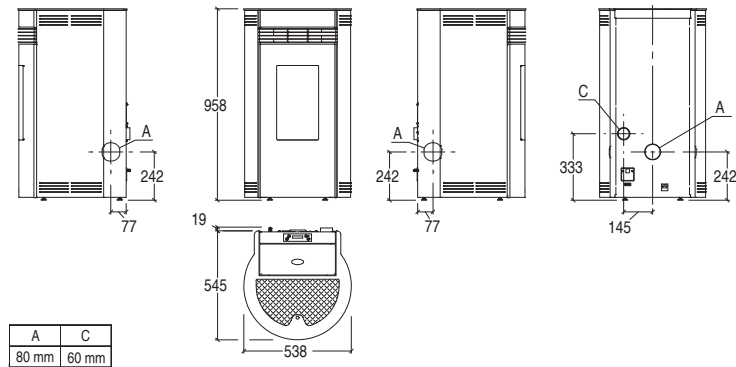
Total price including stove and painted steel cladding **3.190,00**

MODEL/COLOUR	CODE	EURO
Firebox with cladding	BIANCO	S07611100C 3.190,00
	BORDEAUX	S07611200C 3.190,00
	NERO	S07611300C 3.190,00

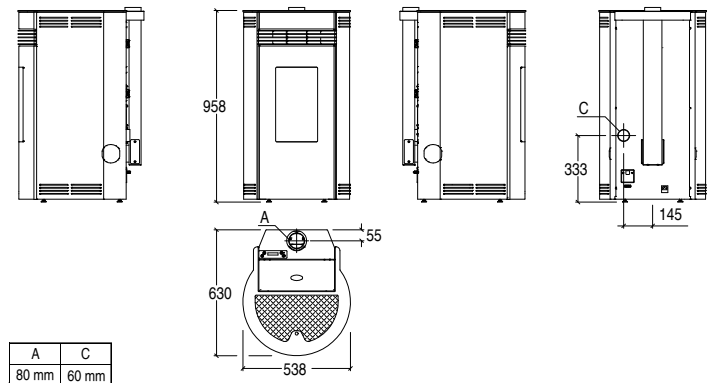
ACCESSORIES ON REQUEST	CODE	EURO
EASY Remote control	N08013033C	80,00
Right-hand or left-hand side flue kit	N08011035C	90,00
Top flue kit	N08011043C	285,00
Top coaxial flue kit	N08011039C	435,00
Humidifier	N08019053C	25,00
Flexible pipe Ø 6 cm for combustion air	N08011017	19,00

per linear metre

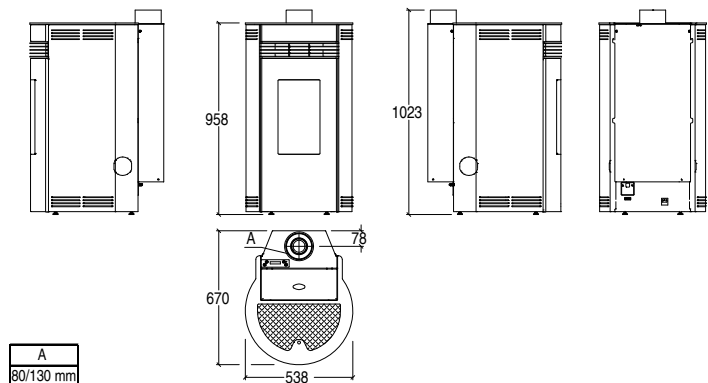
CAROL FG version with rear flue outlet, standard



CAROL FG version with top flue outlet, optional



CAROL FG version with coaxial flue outlet, optional



All drawing dimensions in mm.

PELLET STOVES

CAROL



GENERAL CHARACTERISTICS

- Heating
- Cladding
- Top
- Stove
- Firebox
- Upper baffle plate
- Brazier
- Door
- Door handle
- Ceramic glass
- Removable ash drawer
- Standard flue outlet position
- Optional flue outlet
- Ambient probe for temperature control
- Programmable timer-thermostat
- Warm air outlets
- Humidifier
- Pellet level indicator
- Brazier cleaning intervals
- Glass cleaning system
- Module WiFi- Bluetoothfor App MYSUPERIOR
- Energy Saving
- Eco Function
- Night mode
- Combustion air kit
- Optional remote control
- Power levels
- Installation

forced ventilation
 painted steel
 cast iron
 airtight, steel
 steel
 Skamolex
 cast iron
 cast iron
 painted steel, detachable
 resistant up to 750°C
 yes
 rear
 RH side - LH side - top - top
 coaxial
 standard
 standard
 6 daily time frames
 front upper
 optional
 optional
 yes
 yes
 continuous air flow
 standard
 standard
 yes
 yes
 yes
 standard
 optional
 5
 wall - corner

TECHNICAL DATA

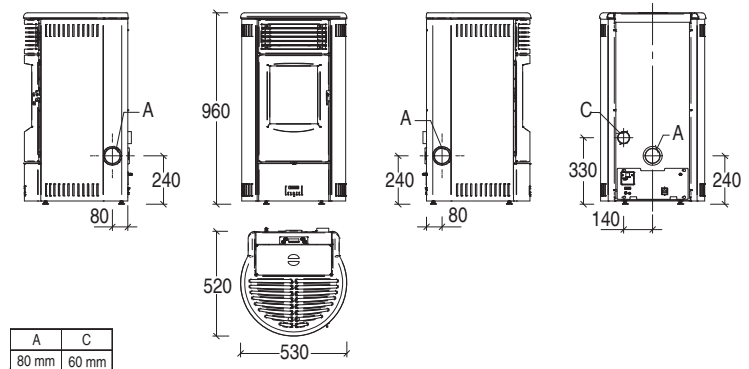
- Model
- Type
- Energy efficiency class
- Room heating capacity
- Nominal heat output (min - max)
- Thermal efficiency (min - max)
- Consumption (min - max)
- Standard flue outlet Ø
- Hopper capacity
- Dimensions W x D x H
- Stove weight

CAROL
 SP450-01
 A+
 m³ 100 - 175
 kW 2,8 - 6,0
 % 90,3 - 91,3
 kg/h 0,6 - 1,3
 mm 80
 kg 16,5
 mm 530 x 520 x 960
 kg 86

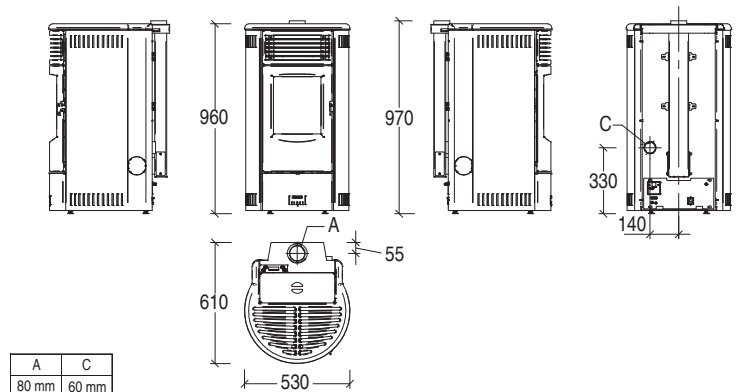


		TOTAL PRICE	
Total price including stove and painted steel cladding		2.425,00	
MODEL/COLOUR	CODE	EURO	
Firebox with cladding	BIANCO	S07610100C	2.425,00
	BORDEAUX	S07610200C	2.425,00
	NERO	S07610300C	2.425,00
ACCESSORIES ON REQUEST	CODE	EURO	
EASY Remote control	N08013030C	80,00	
Right-hand or left-hand side flue kit	N08011035C	90,00	
Top flue kit	N08011033C	285,00	
Top coaxial flue kit	N08011031C	435,00	
Humidifier	N08019053C	25,00	
Flexible pipe Ø 6 cm for combustion air	N08011017	19,00	
		per linear metre	

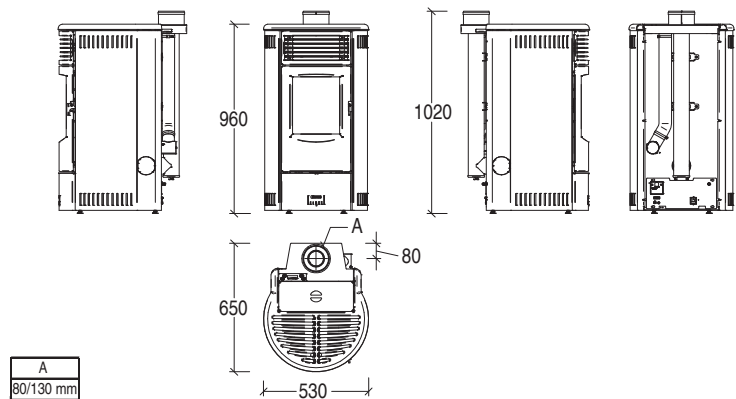
CAROL version with rear flue outlet, standard



CAROL version with top flue outlet, optional



CAROL version with coaxial flue outlet, optional



All drawing dimensions in mm.

PELLET STOVES

CHIARA



FORCED VENTILATION



HERMETIC



NATURAL HEATING



WIFI BLUETOOTH



DUCTABLE

GENERAL CHARACTERISTICS

- Heating
- Cladding
- Top
- Stove
- Firebox
- Upper baffle plate
- Brazier
- Door
- Door handle
- Ceramic glass
- Removable ash drawer
- Standard flue outlet position
- Ambient probe for temperature control
- Programmable timer-thermostat
- Warm air outlets
- Humidifier
- Pellet level indicator
- Brazier cleaning intervals
- Glass cleaning system
- Hot air ducting kit
- Module WiFi- Bluetoothfor App MYSUPERIOR
- Energy Saving
- Eco Function
- Night mode
- Combustion air kit
- Optional remote control
- Power levels
- Installation

- ductable forced ventilation
- painting steel
- airtight, steel
- Skamolex
- cast iron
- cast iron
- painting steel, detachable
- resistant up to 750°C
- yes
- rear
- standard
- 6 daily time frames
- front upper
- optional
- yes
- yes
- continuous air flow
- optional
- standard
- yes
- yes
- yes
- standard
- optional
- 5
- wall - corner

TECHNICAL DATA *

- Model
- Type
- Energy efficiency class
- Room heating capacity
- Nominal heat output (min - max)
- Thermal efficiency (min - max)
- Consumption (min - max)
- Standard flue outlet Ø
- Hopper capacity
- Dimensions W x D x H
- Stove weight

- CHIARA
- SP450-19A
- A+
- m³ 100 - 175
- kW 2,7 - 6,0
- % ≥ 91 - ≥ 91
- kg/h 0,63 - 1,36
- mm 80
- kg 16,5
- mm 536 x 528 x 1052
- kg 112



* Product currently being certified

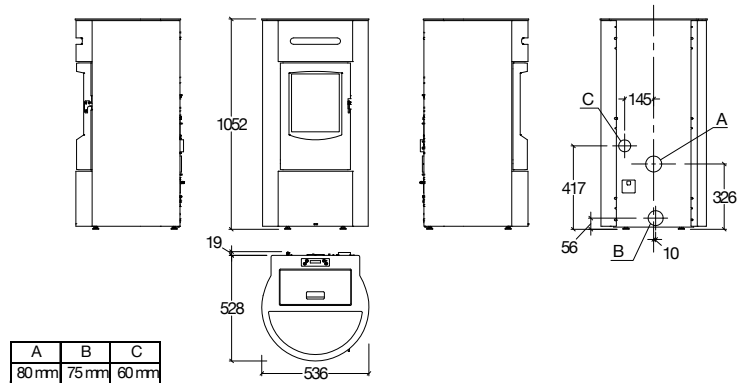
TOTAL PRICE

Total price including stove and painted steel cladding **2.890,00**

	MODEL/COLOUR	CODE	EURO
Firebox with cladding	BIANCO	S07670100C	2.890,00
	GRIGIO	S07670300C	2.890,00
	NERO	S07670200C	2.890,00

	ACCESSORIES ON REQUEST	CODE	EURO
	Hot air ducting kit	N08018002C	250,00
	EASY Remote control	N08013030C	80,00
	Humidifier	N08019053C	25,00
	Flexible pipe Ø 6 cm for combustion air	N08011017	19,00

per linear metre



All drawing dimensions in mm.

PELLET STOVES

CLEOPE FG



GENERAL CHARACTERISTICS

- Heating
 - Cladding
 - Top
 - Stove
 - Firebox
 - Upper baffle plate
 - Brazier
 - Door
 - Aesthetic door
 - Door handle
 - Ceramic glass
 - Removable ash drawer
 - Standard flue outlet position
 - Optional flue outlet
 - Ambient probe for temperature control
 - Programmable timer-thermostat
 - Warm air outlets
 - Humidifier
 - Pellet level indicator
 - Brazier cleaning intervals
 - Glass cleaning system
 - Module WiFi- Bluetoothfor App MYSUPERIOR
 - Energy Saving
 - Eco Function
 - Night mode
 - Combustion air kit
 - Optional remote control
 - Power levels
 - Installation
- forced ventilation
painted steel
painted steel
airtight, steel
Skamolex
cast iron
cast iron
steel with screen-printed
tempered glass
resistant up to 750°C
yes
rear
RH side - LH side - top - top
coaxial
standard
6 daily time frames
front upper
optional
yes
yes
continuous air flow
standard
yes
yes
yes
standard
optional
5
wall - corner

TECHNICAL DATA

- Model
 - Type
 - Energy efficiency class
 - Room heating capacity
 - Nominal heat output (min - max)
 - Thermal efficiency (min - max)
 - Consumption (min - max)
 - Standard flue outlet Ø
 - Hopper capacity
 - Dimensions W x D x H
 - Stove weight
- CLEOPE FG
SP450-03
A+
m³ 100 - 175
kW 2,8 - 6,0
% 89,1 - 90,8
kg/h 0,6 - 1,3
mm 80
kg 16,5
mm 500 x 515 x 958
kg 96



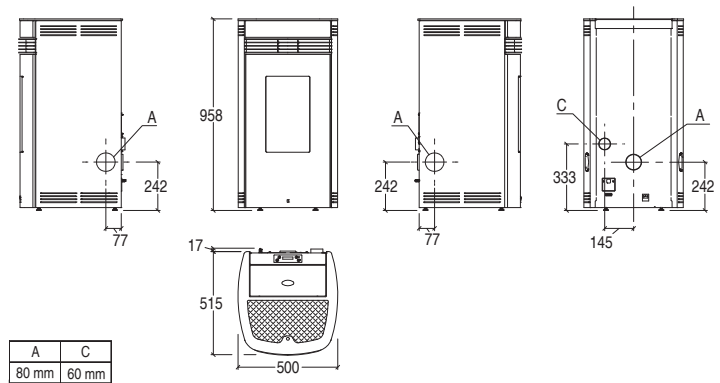
TOTAL PRICE	
Total price including stove and painted steel cladding	3.190,00

MODEL/COLOUR	CODE	EURO
Firebox with cladding		
BIANCO	S07621100C	3.190,00
BORDEAUX	S07621200C	3.190,00
NERO	S07621300C	3.190,00

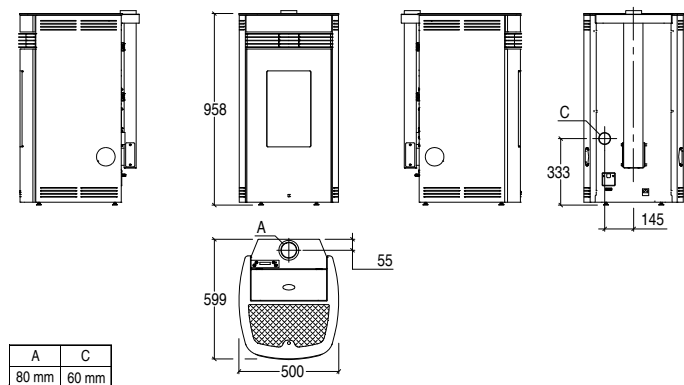
ACCESSORIES ON REQUEST	CODE	EURO
EASY Remote control	N08013033C	80,00
Right-hand or left-hand side flue kit	N08011035C	90,00
Top flue kit	N08011043C	285,00
Top coaxial flue kit	N08011039C	435,00
Humidifier	N08019053C	25,00
Flexible pipe Ø 6 cm for combustion air	N08011017	19,00

per linear metre

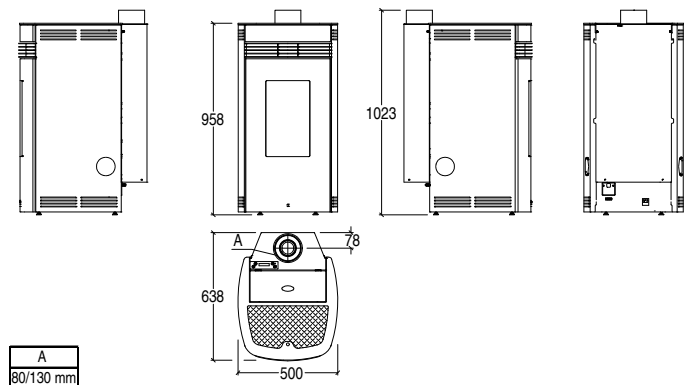
CLEOPE FG version with rear flue outlet, standard



CLEOPE FG version with top flue outlet, optional



CLEOPE FG version with coaxial flue outlet, optional



All drawing dimensions in mm.

PELLET STOVES

CLEOPE



GENERAL CHARACTERISTICS

- Heating forced ventilation
- Cladding painted steel
- Top cast iron
- Stove airtight, steel
- Firebox Skamolox
- Upper baffle plate cast iron
- Brazier cast iron
- Door cast iron
- Aesthetic door steel
- Door handle painted steel, detachable
- Ceramic glass resistant up to 750°C
- Removable ash drawer yes
- Standard flue outlet position rear
- Optional flue outlet RH side - LH side - top - top coaxial
- Ambient probe for temperature control standard
- Programmable timer-thermostat 6 daily time frames
- Warm air outlets front upper
- Humidifier optional
- Pellet level indicator yes
- Brazier cleaning intervals yes
- Glass cleaning system continuous air flow
- Module WiFi- Bluetoothfor App MYSUPERIOR standard
- Energy Saving yes
- Eco Function yes
- Night mode yes
- Combustion air kit standard
- Optional remote control optional
- Power levels 5
- Installation wall - corner

TECHNICAL DATA

- Model CLEOPE
- Type SP450-01
- Energy efficiency class A+
- Room heating capacity m³ 100 - 175
- Nominal heat output (min - max) kW 2,8 - 6,0
- Thermal efficiency (min - max) % 90,3 - 91,3
- Consumption (min - max) kg/h 0,6 - 1,3
- Standard flue outlet Ø mm 80
- Hopper capacity kg 16,5
- Dimensions W x D x H mm 500 x 515 x 958
- Stove weight kg 96



TOTAL PRICE

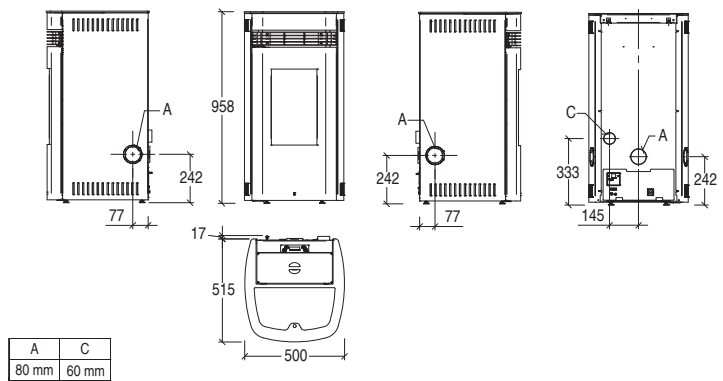
Total price including stove and painted steel cladding **2.710,00**

MODEL/COLOUR	CODE	EURO
Firebox with cladding BIANCO	S07620100C	2.710,00
BORDEAUX	S07620200C	2.710,00
NERO	S07620300C	2.710,00

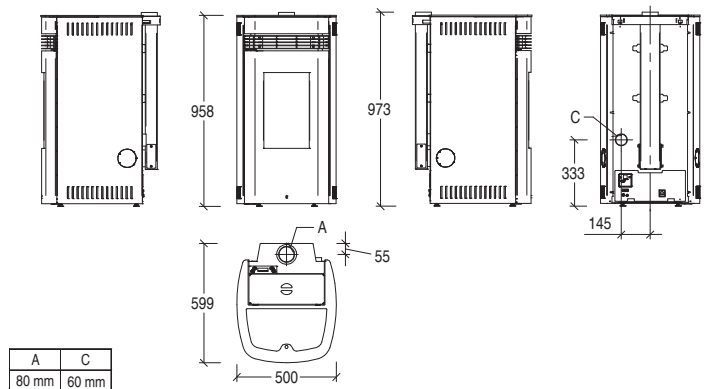
ACCESSORIES ON REQUEST	CODE	EURO
EASY Remote control	N08013033C	80,00
Right-hand or left-hand side flue kit	N08011035C	90,00
Top flue kit	N08011033C	285,00
Top coaxial flue kit	N08011031C	435,00
Humidifier	N08019053C	25,00
Protection kit	S08012970C	80,00
Flexible pipe Ø 6 cm for combustion air	N08011017	19,00

per linear metre

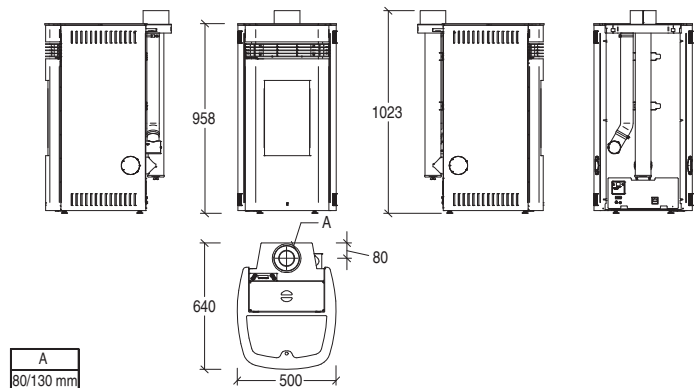
CLEOPE version with rear flue outlet, standard



CLEOPE version with top flue outlet, optional



CLEOPE version with coaxial flue outlet, optional



All drawing dimensions in mm.

PELLET STOVES

CORINNA FG



FORCED VENTILATION



HERMETIC



NATURAL HEATING



WIFI BLUETOOTH



DUCTABLE

GENERAL CHARACTERISTICS

- Heating ductable forced ventilation
- Cladding painted steel
- Top painted steel
- Stove airtight, steel
- Firebox cast iron Skamolex
- Upper baffle plate cast iron
- Brazier cast iron
- Door steel with screen-printed tempered glass
- Aesthetic door painted steel, detachable resistant up to 750°C
- Door handle yes
- Ceramic glass rear
- Removable ash drawer standard
- Standard flue outlet position 6 daily time frames
- Ambient probe for temperature control front upper
- Programmable timer-thermostat optional
- Warm air outlets yes
- Humidifier yes
- Pellet level indicator continuous air flow
- Brazier cleaning intervals optional
- Glass cleaning system standard
- Hot air ducting kit yes
- Module WiFi- Bluetoothfor App MYSUPERIOR yes
- Energy Saving yes
- Eco Function yes
- Night mode yes
- Combustion air kit standard
- Optional remote control optional
- Power levels 5
- Installation wall - corner

TECHNICAL DATA *

- Model CORINNA FG
- Type SP450-25A
- Energy efficiency class A+
- Room heating capacity m³ 100 - 175
- Nominal heat output (min - max) kW 2,7 - 6,0
- Thermal efficiency (min - max) % ≥ 91 - ≥ 91
- Consumption (min - max) kg/h 0,63 - 1,36
- Standard flue outlet Ø mm 80
- Hopper capacity kg 15,5
- Dimensions W x D x H mm 544 x 546 x 1153
- Stove weight kg 160



* Product currently being certified

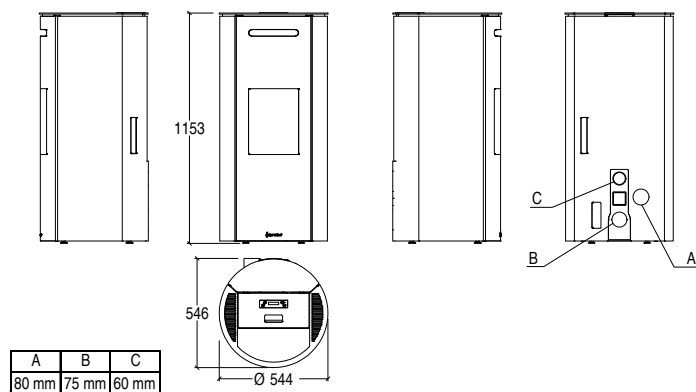
TOTAL PRICE

Total price including stove and painted steel cladding **3.730,00**

	MODEL/COLOUR	CODE	EURO
Firebox with cladding	BIANCO	S07686100C	3.730,00
	GRIGIO	S07686300C	3.730,00
	NERO	S07686200C	3.730,00

ACCESSORIES ON REQUEST	CODE	EURO
Hot air ducting kit	N08018001C	250,00
EASY Remote control	N08013033C	80,00
Humidifier	N08019057C	25,00
Flexible pipe Ø 6 cm for combustion air	N08011017	19,00

per linear metre



All drawing dimensions in mm.

PELLET STOVES

CORINNA FG TOP



- FORCED VENTILATION**
- HERMETIC**
- NATURAL HEATING**
- WiFi BLUETOOTH**
- DUCTABLE**

GENERAL CHARACTERISTICS

- Heating ductable forced ventilation
- Cladding painted steel
- Top painted steel
- Stove airtight, steel
- Firebox cast iron Skamolex
- Upper baffle plate cast iron
- Brazier cast iron
- Door steel with screen-printed tempered glass
- Aesthetic door painted steel, detachable resistant up to 750°C
- Door handle yes
- Ceramic glass top - top coaxial, integrated standard
- Removable ash drawer 6 daily time frames
- Standard flue outlet position front upper
- Ambient probe for temperature control optional
- Programmable timer-thermostat standard
- Warm air outlets yes
- Humidifier yes
- Pellet level indicator continuous air flow
- Brazier cleaning intervals optional
- Glass cleaning system standard
- Hot air ducting kit yes
- Module WiFi- Bluetoothfor App MYSUPERIOR yes
- Energy Saving yes
- Eco Function yes
- Night mode yes
- Combustion air kit standard
- Optional remote control optional
- Power levels 5
- Installation wall - corner

TECHNICAL DATA *

- Model CORINNA FG TOP
- Type SP450-23A
- Energy efficiency class A+
- Room heating capacity m³ 100 - 175
- Nominal heat output (min - max) kW 2,7 - 6,0
- Thermal efficiency (min - max) % ≥ 92 - ≥ 92
- Consumption (min - max) kg/h 0,63 - 1,36
- Standard flue outlet Ø mm 80
- Hopper capacity kg 15,5
- Dimensions W x D x H mm 544 x 546 x 1153
- Stove weight kg 160



* Product currently being certified

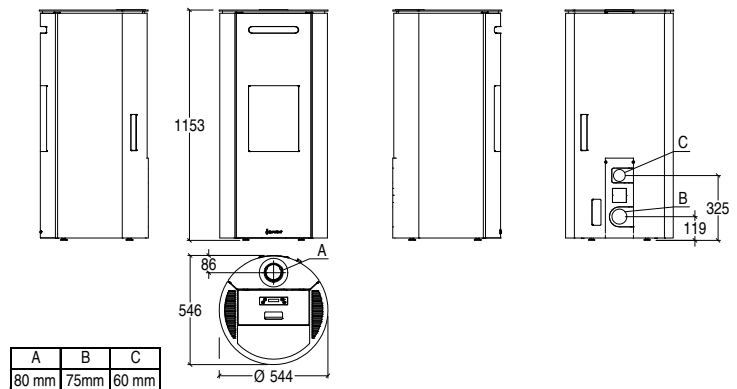
TOTAL PRICE

Total price including stove and painted steel cladding **3.980,00**

	MODEL/COLOUR	CODE	EURO
Firebox with cladding	BIANCO	S07681100C	3.980,00
	GRIGIO	S07681300C	3.980,00
	NERO	S07681200C	3.980,00

ACCESSORIES ON REQUEST	CODE	EURO
Hot air ducting kit	N08018001C	250,00
EASY Remote control	N08013033C	80,00
Humidifier	N08019057C	25,00
Flexible pipe Ø 6 cm for combustion air	N08011017	19,00

per linear metre



All drawing dimensions in mm.

PELLET STOVES

CORINNA TG



FORCED VENTILATION



HERMETIC



NATURAL HEATING



WIFI BLUETOOTH



DUCTABLE

GENERAL CHARACTERISTICS

- Heating ductable forced ventilation
- Cladding glass painted steel
- Top airtight, steel
- Stove cast iron
- Firebox Skamolex
- Upper baffle plate cast iron
- Brazier cast iron
- Door steel with screen-printed tempered glass
- Aesthetic door painted steel, detachable resistant up to 750°C
- Door handle yes
- Ceramic glass rear
- Removable ash drawer standard
- Standard flue outlet position 6 daily time frames
- Ambient probe for temperature control front upper
- Programmable timer-thermostat optional
- Warm air outlets optional
- Humidifier yes
- Pellet level indicator yes
- Brazier cleaning intervals yes
- Glass cleaning system continuous air flow
- Hot air ducting kit optional
- Module WiFi- Bluetoothfor App MYSUPERIOR standard
- Energy Saving yes
- Eco Function yes
- Night mode yes
- Combustion air kit standard
- Optional remote control optional
- Power levels 5
- Installation wall - corner

TECHNICAL DATA *

- Model CORINNA TG
- Type SP450-25A
- Energy efficiency class A+
- Room heating capacity m³ 100 - 175
- Nominal heat output (min - max) kW 2,7 - 6,0
- Thermal efficiency (min - max) % ≥ 91 - ≥ 91
- Consumption (min - max) kg/h 0,63 - 1,36
- Standard flue outlet Ø mm 80
- Hopper capacity kg 15,5
- Dimensions W x D x H mm 544 x 546 x 1153
- Stove weight kg 160



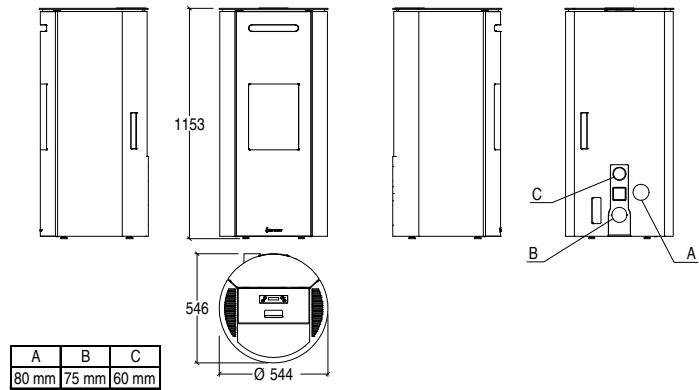
* Product currently being certified

TOTAL PRICE

Total price including stove and painted steel cladding **3.730,00**

MODEL/COLOUR	CODE	EURO
Firebox with cladding NERO	S07686500C	3.730,00

ACCESSORIES ON REQUEST	CODE	EURO
Hot air ducting kit	N08018001C	250,00
EASY Remote control	N08013033C	80,00
Humidifier	N08019057C	25,00
Flexible pipe Ø 6 cm for combustion air	N08011017	19,00 per linear metre



All drawing dimensions in mm.

PELLET STOVES

CORINNA TG TOP



- FORCED VENTILATION**
- HERMETIC**
- NATURAL HEATING**
- WIFI BLUETOOTH**
- DUCTABLE**

GENERAL CHARACTERISTICS

- | | |
|--|---|
| <ul style="list-style-type: none"> • Heating • Cladding • Top • Stove • Firebox • Upper baffle plate • Brazier • Door • Aesthetic door • Door handle • Ceramic glass • Removable ash drawer • Standard flue outlet position • Ambient probe for temperature control • Programmable timer-thermostat • Warm air outlets • Humidifier • Pellet level indicator • Brazier cleaning intervals • Glass cleaning system • Hot air ducting kit • Module WiFi- Bluetoothfor App MYSUPERIOR • Energy Saving • Eco Function • Night mode • Combustion air kit • Optional remote control • Power levels • Installation | <p>ductable forced ventilation
glass
painted steel
airtight, steel
cast iron
Skamolex
cast iron
cast iron
steel with screen-printed
tempered glass
painted steel, detachable
resistant up to 750°C
yes
top - top coaxial, integrated
standard
6 daily time frames
front upper
optional
optional
yes
yes
continuous air flow
optional
standard
yes
yes
yes
standard
optional
5
wall - corner</p> |
|--|---|

TECHNICAL DATA *

- | | |
|--|---|
| <ul style="list-style-type: none"> • Model • Type • Energy efficiency class • Room heating capacity • Nominal heat output (min - max) • Thermal efficiency (min - max) • Consumption (min - max) • Standard flue outlet Ø • Hopper capacity • Dimensions W x D x H • Stove weight | <p>CORINNA TG TOP
SP450-23A
A+
m³ 100 - 175
kW 2,7 - 6,0
% ≥ 92 - ≥ 92
kg/h 0,63 - 1,36
mm 80
kg 15,5
mm 544 x 546 x 1153
kg 160</p> |
|--|---|



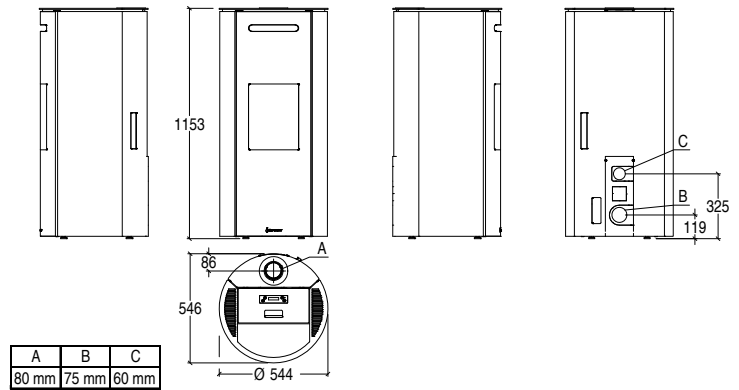
* Product currently being certified

TOTAL PRICE

Total price including stove and painted steel cladding **3.980,00**

MODEL/COLOUR	CODE	EURO
Firebox with cladding NERO	S07681500C	3.980,00

ACCESSORIES ON REQUEST	CODE	EURO
Hot air ducting kit	N08018001C	250,00
EASY Remote control	N08013033C	80,00
Humidifier	N08019057C	25,00
Flexible pipe Ø 6 cm for combustion air	N08011017	19,00 per linear metre



All drawing dimensions in mm.

PELLET STOVES

GINGER



GENERAL CHARACTERISTICS

- Heating
- Cladding
- Top
- Stove
- Firebox
- Brazier
- Door
- Door handle
- Ceramic glass
- Standard flue outlet position
- Optional flue outlet
- Ambient probe for temperature control
- Programmable timer-thermostat
- Warm air outlets
- Pellet level indicator
- Brazier cleaning intervals
- Glass cleaning system
- Module WiFi- Bluetoothfor App MYSUPERIOR
- Energy Saving
- Eco Function
- Night mode
- Combustion air kit
- Optional remote control
- Power levels
- Installation

- forced ventilation
- painted steel
- painted steel
- steel
- cast iron
- steel
- cast iron
- painted steel, detachable
- resistant up to 750°C
- rear
- top
- standard
- 6 daily time frames
- front upper
- yes
- yes
- continuous air flow
- standard
- yes
- yes
- yes
- optional
- optional
- 5
- wall

TECHNICAL DATA *

- Model
- Type
- Energy efficiency class
- Room heating capacity
- Nominal heat output (min - max)
- Thermal efficiency (min - max)
- Consumption (min - max)
- Standard flue outlet Ø
- Hopper capacity
- Dimensions W x D x H
- Stove weight

- GINGER
- YP103-01
- A+
- m³ 120 - 200
- kW 3,5 - 7
- % ≥ 90 - ≥ 90
- kg/h 0,8 - 1,6
- mm 80
- kg 15
- mm 721 x 576 x 615
- kg 150



* Product currently being certified

TOTAL PRICE

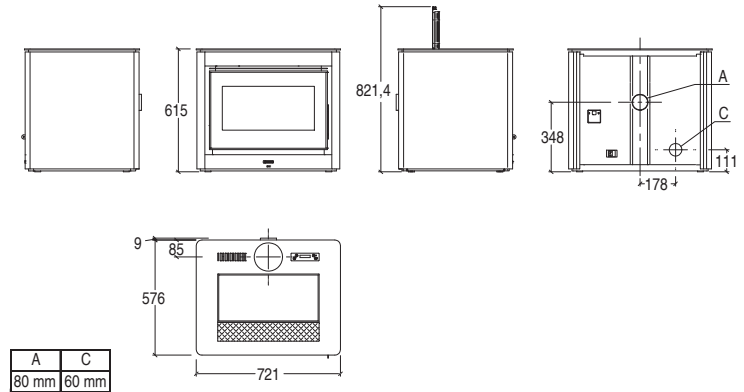
Total price including stove and painted steel cladding **3.240,00**

MODEL/COLOUR	CODE	EURO
Firebox with BIANCO	S07800100C	3.240,00
cladding GRIGIO	S07800300C	3.240,00
NERO	S07800200C	3.240,00

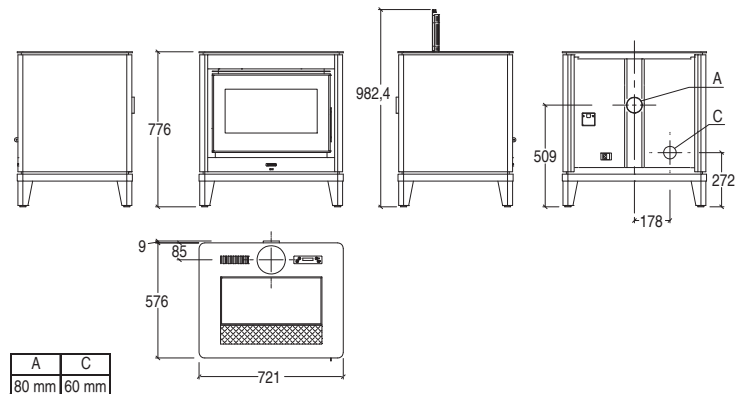
ACCESSORIES ON REQUEST	CODE	EURO
EASY Remote control	N08013030C	80,00
Combustion air kit	N08010035C	95,00
Top flue kit	N08011059C	100,00
Feet kit Nero	N08019054C	540,00
Feet kit with Wood finish	N08019056C	price to be defined
Flexible pipe Ø 6 cm for combustion air	N08011017	19,00

per linear metre

GINGER



GINGER with optional legs kit



All drawing dimensions in mm.

PELLET STOVES

LIA



FORCED VENTILATION



HERMETIC



NATURAL HEATING



DUCTABLE



WiFi BLUETOOTH OPTIONAL

GENERAL CHARACTERISTICS

- Heating ductable forced ventilation
- Cladding painted steel
- Top majolica
- Stove airtight, steel
- Firebox cast iron
- Upper baffle plate cast iron
- Brazier cast iron
- Door cast iron
- Door handle painted steel, detachable
- Ceramic glass resistant up to 750°C
- Removable ash drawer yes
- Standard flue outlet position RH rear - top right
- Optional flue outlet top central - top right - RH side
- Display with digital controls yes
- Ambient probe for temperature control standard
- Programmable timer-thermostat 6 daily time frames
- Warm air outlets front upper
- Humidifier optional
- Pellet level indicator yes
- Brazier cleaning intervals yes
- Glass cleaning system continuous air flow
- Hot air ducting kit optional
- Module WiFi- Bluetoothfor App MYSUPERIOR optional
- Energy Saving yes
- Eco Function yes
- Night mode yes
- Combustion air kit standard
- Optional remote control optional
- Power levels 4
- Installation wall
- Flush installation yes

TECHNICAL DATA

- Model LIA-S
- Type SP124-01
- Energy efficiency class A+
- Room heating capacity m³ 135 - 230
- Nominal heat output (min - max) kW 3,7 - 8,0
- Thermal efficiency (min - max) % 88,5 - 88,7
- Consumption (min - max) kg/h 0,8 - 1,8
- Standard flue outlet Ø mm 80
- Hopper capacity kg 17
- Dimensions W x D x H mm 890 x 288 x 1125
- Stove weight kg 120



TOTAL PRICE

Total price including stove and painted steel cladding **3.450,00**

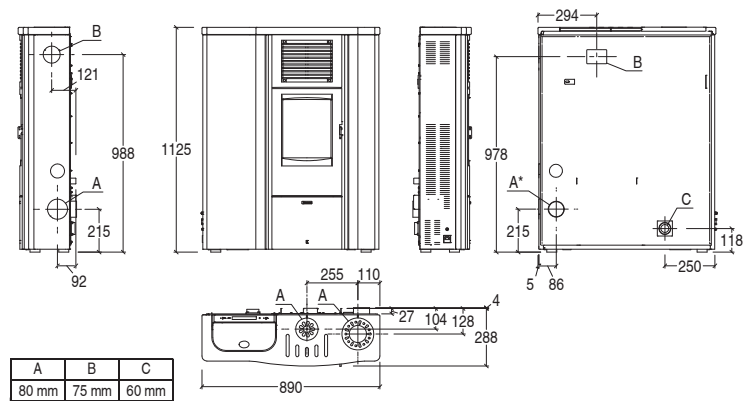
MODEL/COLOUR	CODE	EURO
Firebox with BIANCO	S07330510C	3.450,00
cladding BORDEAUX	S07330520C	3.450,00
GRIGIO	S07330530C	3.450,00

ACCESSORIES ON REQUEST	CODE	EURO
Hot air ducting kit	S08012600C	265,00
Remote control	S08010900C	65,00
Right-hand side flue kit	N08011047C	25,00
Top right-hand flue kit	N08011046C	90,00
Top central flue kit	N08011045C	235,00
Humidifier	S08010910C	30,00
Wi-Fi module for control with Superior App	N08013013C	305,00
Flexible pipe Ø 6 cm for combustion air	N08011017	19,00

per linear metre

If the ducting kit is installed, the Night Mode cannot be activated.

If a remote control is installed, a GPRS module and Wi-Fi cannot be installed.



All drawing dimensions in mm.

PELLET STOVES

MARY FG



GENERAL CHARACTERISTICS

- Heating
 - Cladding
 - Top
 - Stove
 - Firebox
 - Upper baffle plate
 - Brazier
 - Door
 - Aesthetic door
 - Door handle
 - Ceramic glass
 - Removable ash drawer
 - Standard flue outlet position
 - Optional flue outlet
 - Ambient probe for temperature control
 - Programmable timer-thermostat
 - Warm air outlets
 - Humidifier
 - Pellet level indicator
 - Brazier cleaning intervals
 - Glass cleaning system
 - Module WiFi- Bluetoothfor App MYSUPERIOR
 - Energy Saving
 - Eco Function
 - Night mode
 - Combustion air kit
 - Optional remote control
 - Power levels
 - Installation
- forced ventilation
 painted steel
 painted steel
 airtight, steel
 cast iron
 Skamolex
 cast iron
 cast iron
 steel with screen-printed
 tempered glass
 yes
 rear
 RH side - LH side - top - top
 coaxial
 standard
 6 daily time frames
 front upper
 optional
 yes
 yes
 continuous air flow
 standard
 yes
 yes
 yes
 standard
 optional
 5
 wall - corner

TECHNICAL DATA

- Model
 - Type
 - Energy efficiency class
 - Room heating capacity
 - Nominal heat output (min - max)
 - Thermal efficiency (min - max)
 - Consumption (min - max)
 - Standard flue outlet Ø
 - Hopper capacity
 - Dimensions W x D x H
 - Stove weight
- MARY FG
 SP450-04
 A+
 m³ 145 - 245
 kW 3,3 - 8,5
 % 88,4 - 91,5
 kg/h 0,7 - 1,9
 mm 80
 kg 22
 mm 500 x 515 x 1048
 kg 98



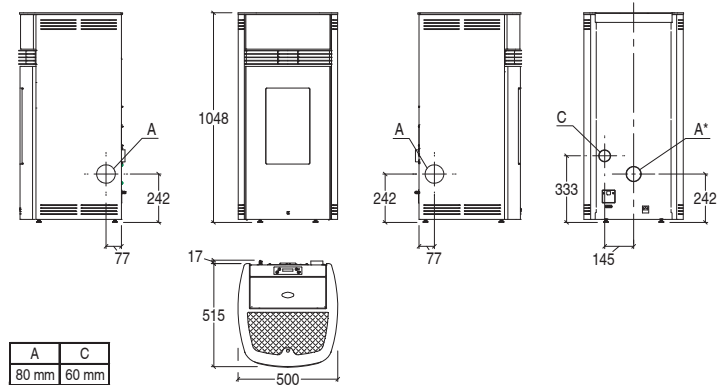
Total price including stove and painted steel cladding **3.385,00**

MODEL/COLOUR	CODE	EURO
Firebox with cladding		
BIANCO	S07721100C	3.385,00
BORDEAUX	S07721200C	3.385,00
NERO	S07721300C	3.385,00

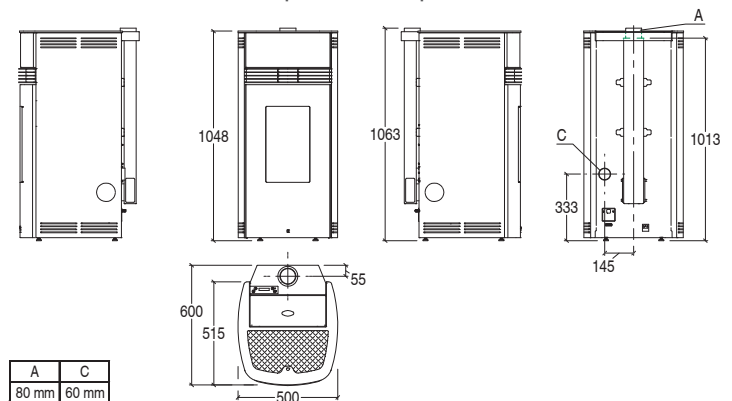
ACCESSORIES ON REQUEST	CODE	EURO
EASY Remote control	N08013033C	80,00
Right-hand or left-hand side flue kit	N08011035C	90,00
Top flue kit	N08011044C	285,00
Top coaxial flue kit	N08011040C	435,00
Humidifier	N08019053C	25,00
Flexible pipe Ø 6 cm for combustion air	N08011017	19,00

per linear metre

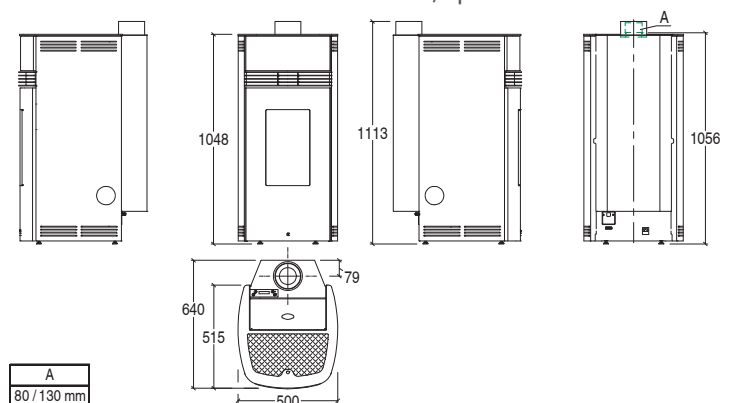
MARY FG version with rear flue outlet, standard



MARY FG version with top flue outlet, optional



MARY FG version with coaxial flue outlet, optional



All drawing dimensions in mm.

PELLET STOVES

MARY



GENERAL CHARACTERISTICS

- Heating
- Cladding
- Top
- Stove
- Firebox
- Upper baffle plate
- Brazier
- Door
- Aesthetic door
- Door handle
- Ceramic glass
- Removable ash drawer
- Standard flue outlet position
- Optional flue outlet
- Ambient probe for temperature control
- Programmable timer-thermostat
- Warm air outlets
- Humidifier
- Pellet level indicator
- Brazier cleaning intervals
- Glass cleaning system
- Module WiFi- Bluetoothfor App MYSUPERIOR
- Energy Saving
- Eco Function
- Night mode
- Combustion air kit
- Optional remote control
- Power levels
- Installation

forced ventilation
 painted steel
 painted steel
 airtight, steel
 steel
 Skamolex
 cast iron
 cast iron
 steel
 painted steel, detachable
 resistant up to 750°C
 yes
 rear
 RH side - LH side - top - top
 coaxial
 standard
 6 daily time frames
 front upper
 optional
 optional
 yes
 yes
 continuous air flow
 standard
 yes
 yes
 yes
 standard
 optional
 5
 wall - corner

TECHNICAL DATA

- Model
- Type
- Energy efficiency class
- Room heating capacity
- Nominal heat output (min - max)
- Thermal efficiency (min - max)
- Consumption (min - max)
- Standard flue outlet Ø
- Hopper capacity
- Dimensions W x D x H
- Stove weight

MARY
 SP450-02
 A+
 m³ 145 - 245
 kW 3,3 - 8,5
 % 89,3 - 91,2
 kg/h 0,7 - 1,9
 mm 80
 kg 22
 mm 500 x 515 x 1048
 kg 82



TOTAL PRICE

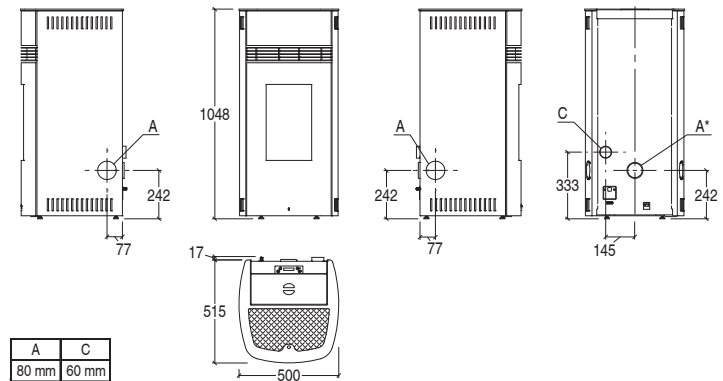
Total price including stove and painted steel cladding **2.890,00**

MODEL/COLOUR	CODE	EURO
Firebox with cladding		
BIANCO	S07720100C	2.890,00
BORDEAUX	S07720200C	2.890,00
NERO	S07720300C	2.890,00

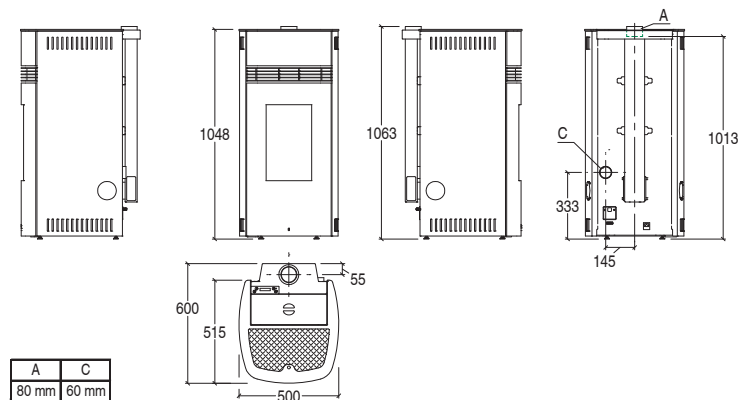
ACCESSORIES ON REQUEST	CODE	EURO
EASY Remote control	N08013033C	80,00
Right-hand or left-hand side flue kit	N08011035C	90,00
Top flue kit	N08011034C	285,00
Top coaxial flue kit	N08011032C	435,00
Humidifier	N08019053C	25,00
Protection kit	S08012970C	80,00
Flexible pipe Ø 6 cm for combustion air	N08011017	19,00

per linear metre

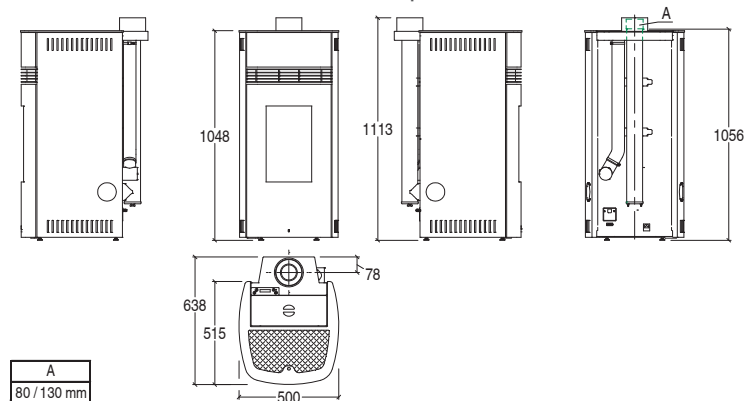
MARY version with rear flue outlet, standard



MARY version with top flue outlet, optional



MARY version with coaxial flue outlet, optional



All drawing dimensions in mm.

PELLET STOVES

MARYON FG



GENERAL CHARACTERISTICS

- Heating forced ventilation
- Cladding painted steel
- Top painted steel
- Stove airtight, steel
- Firebox cast iron
- Upper baffle plate Skamolex
- Brazier cast iron
- Door cast iron
- Aesthetic door steel with screen-printed tempered glass
- Door handle painted steel, detachable
- Ceramic glass resistant up to 750°C
- Removable ash drawer yes
- Standard flue outlet position rear
- Optional flue outlet RH side - LH side - top - top coaxial
- Ambient probe for temperature control standard
- Programmable timer-thermostat yes
- Warm air outlets yes
- Humidifier yes
- Pellet level indicator yes
- Brazier cleaning intervals yes
- Glass cleaning system continuous air flow
- Module WiFi- Bluetoothfor App MYSUPERIOR standard
- Energy Saving yes
- Eco Function yes
- Night mode yes
- Combustion air kit standard
- Optional remote control optional
- Power levels 5
- Installation wall - corner

TECHNICAL DATA

- Model MARYON FG
- Type SP450-04
- Energy efficiency class A+
- Room heating capacity m³ 145 - 245
- Nominal heat output (min - max) kW 3,3 - 8,5
- Thermal efficiency (min - max) % 88,4 - 91,5
- Consumption (min - max) kg/h 0,7 - 1,9
- Standard flue outlet Ø mm 80
- Hopper capacity kg 22
- Dimensions W x D x H mm 540 x 545 x 1048
- Stove weight kg 98



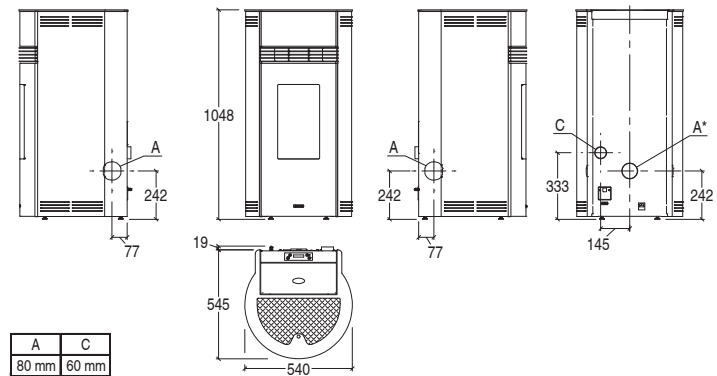
Total price including stove and painted steel cladding **3.385,00**

MODEL/COLOUR	CODE	EURO
Firebox with cladding BIANCO	S07711100C	3.385,00
BORDEAUX	S07711200C	3.385,00
NERO	S07711300C	3.385,00

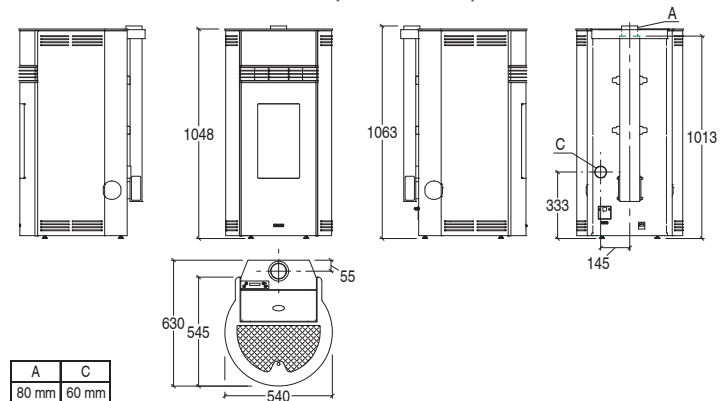
ACCESSORIES ON REQUEST	CODE	EURO
EASY Remote control	N08013033C	80,00
Right-hand or left-hand side flue kit	N08011035C	90,00
Top flue kit	N08011044C	285,00
Top coaxial flue kit	N08011040C	435,00
Humidifier	N08019053C	25,00
Flexible pipe Ø 6 cm for combustion air	N08011017	19,00

per linear metre

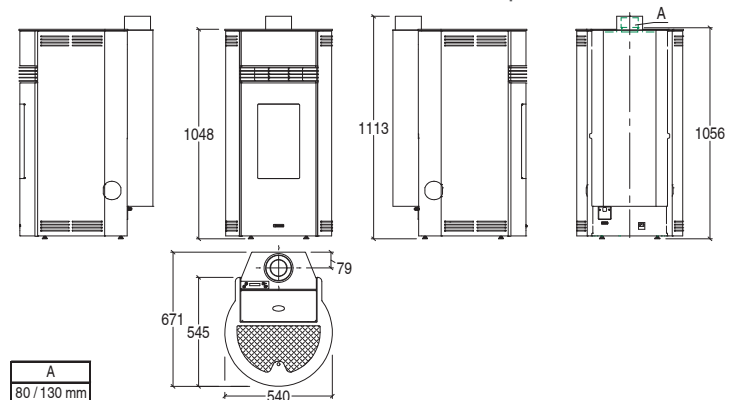
MARYON FG version with rear flue outlet, standard



MARYON FG version with top flue outlet, optional



MARYON FG version with coaxial flue outlet, optional



All drawing dimensions in mm.

PELLET STOVES

MARYON



GENERAL CHARACTERISTICS

- Heating forced ventilation
- Cladding painted steel
- Top cast iron
- Stove airtight, steel
- Firebox steel
- Upper baffle plate Skamolex
- Brazier cast iron
- Door cast iron
- Door handle painted steel, detachable
- Ceramic glass resistant up to 750°C
- Removable ash drawer yes
- Standard flue outlet position rear
- Optional flue outlet RH side - LH side - top - top coaxial
- Ambient probe for temperature control standard
- Programmable timer-thermostat 6 daily time frames
- Warm air outlets front upper
- Humidifier optional
- Pellet level indicator yes
- Brazier cleaning intervals yes
- Glass cleaning system continuous air flow
- Module WiFi- Bluetoothfor App MYSUPERIOR standard
- Energy Saving yes
- Eco Function yes
- Night mode yes
- Combustion air kit standard
- Optional remote control optional
- Power levels 5
- Installation wall - corner

TECHNICAL DATA

- Model MARYON
- Type SP450-02
- Energy efficiency class A+
- Room heating capacity m³ 145 - 245
- Nominal heat output (min - max) kW 3,3 - 8,5
- Thermal efficiency (min - max) % 89,3 - 91,2
- Consumption (min - max) kg/h 0,7 - 1,9
- Standard flue outlet Ø mm 80
- Hopper capacity kg 22
- Dimensions W x D x H mm 530 x 524 x 1048
- Stove weight kg 98



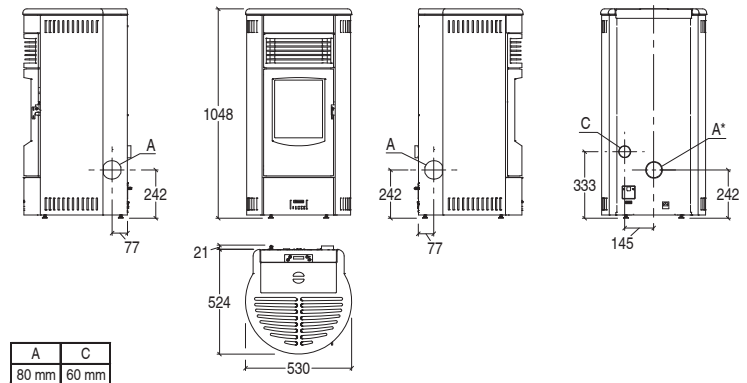
Total price including stove and painted steel cladding **2.635,00**

MODEL/COLOUR	CODE	EURO
Firebox with cladding BIANCO	S07710100C	2.635,00
BORDEAUX	S07710200C	2.635,00
NERO	S07710300C	2.635,00

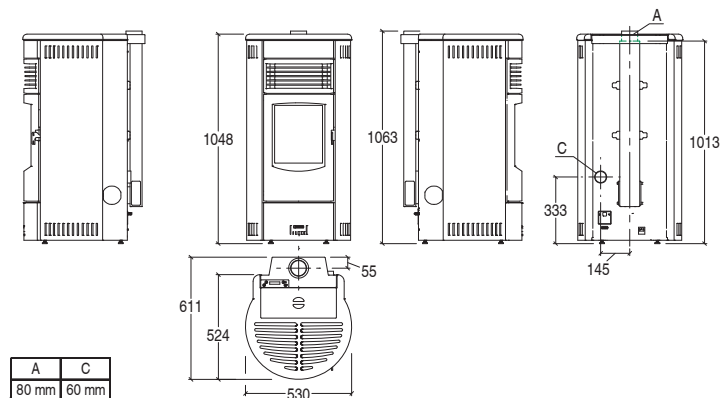
ACCESSORIES ON REQUEST	CODE	EURO
EASY Remote control	N08013030C	80,00
Right-hand or left-hand side flue kit	N08011035C	90,00
Top flue kit	N08011034C	285,00
Top coaxial flue kit	N08011032C	435,00
Humidifier	N08019053C	25,00
Flexible pipe Ø 6 cm for combustion air	N08011017	19,00

per linear metre

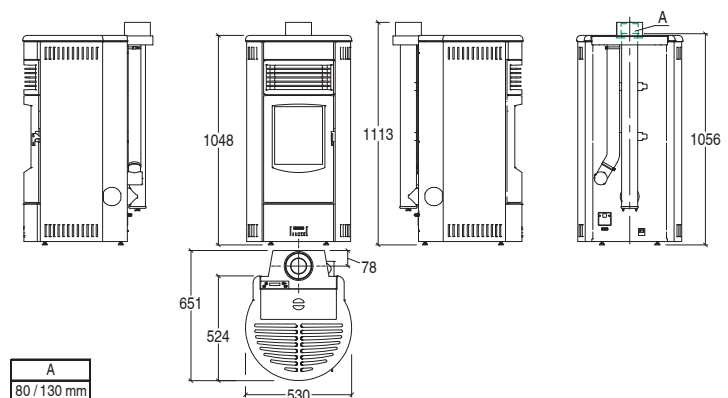
MARYON version with rear flue outlet, standard



MARYON version with top flue outlet, optional



MARYON version with coaxial flue outlet, optional



All drawing dimensions in mm.

PELLET STOVES

MELANY



GENERAL CHARACTERISTICS

- Heating
- Cladding
- Top
- Stove
- Firebox
- Upper baffle plate
- Brazier
- Door
- Door handle
- Ceramic glass
- Removable ash drawer
- Standard flue outlet position
- Optional flue outlet
- Ambient probe for temperature control
- Programmable timer-thermostat
- Warm air outlets
- Humidifier
- Pellet level indicator
- Brazier cleaning intervals
- Glass cleaning system
- Module WiFi- Bluetoothfor App MYSUPERIOR
- Energy Saving
- Eco Function
- Night mode
- Combustion air kit
- Optional remote control
- Power levels
- Installation

forced ventilation
 painted steel
 cast iron
 airtight, steel
 steel
 Skamolex
 cast iron
 cast iron
 painted steel, detachable
 resistant up to 750°C
 yes
 rear
 RH side - LH side - top - top
 coaxial
 standard
 6 daily time frames
 front upper
 optional
 optional
 yes
 yes
 continuous air flow
 standard
 standard
 yes
 yes
 yes
 standard
 optional
 5
 wall - corner

TECHNICAL DATA

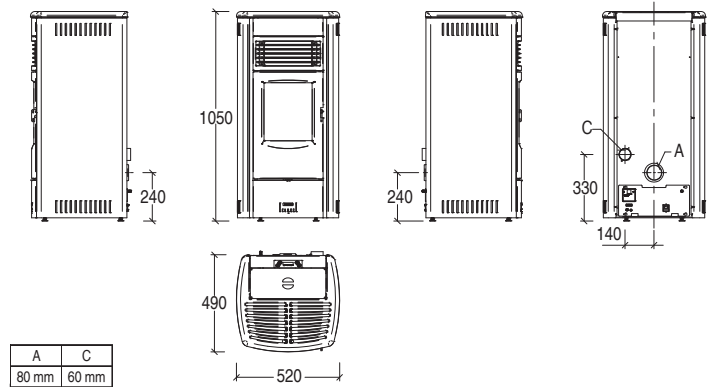
- Model
- Type
- Energy efficiency class
- Room heating capacity
- Nominal heat output (min - max)
- Thermal efficiency (min - max)
- Consumption (min - max)
- Standard flue outlet Ø
- Hopper capacity
- Dimensions W x D x H
- Stove weight

MELANY
 SP450-02
 A+
 m³ 145 - 245
 kW 3,3 - 8,5
 % 89,3 - 91,2
 kg/h 0,7 - 1,9
 mm 80
 kg 22
 mm 520 x 490 x 1050
 kg 88

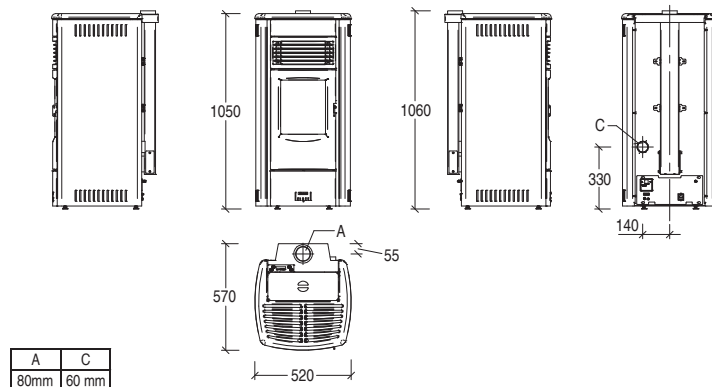


		TOTAL PRICE	
Total price including stove and painted steel cladding		2.530,00	
MODEL/COLOUR	CODE	EURO	
Firebox with cladding	BIANCO	S07700100C	2.530,00
	BORDEAUX	S07700200C	2.530,00
	NERO	S07700300C	2.530,00
ACCESSORIES ON REQUEST	CODE	EURO	
EASY Remote control	N08013030C	80,00	
Right-hand or left-hand side flue kit	N08011035C	90,00	
Top flue kit	N08011034C	285,00	
Top coaxial flue kit	N08011032C	435,00	
Humidifier	N08019053C	25,00	
Flexible pipe Ø 6 cm for combustion air	N08011017	19,00	
		per linear metre	

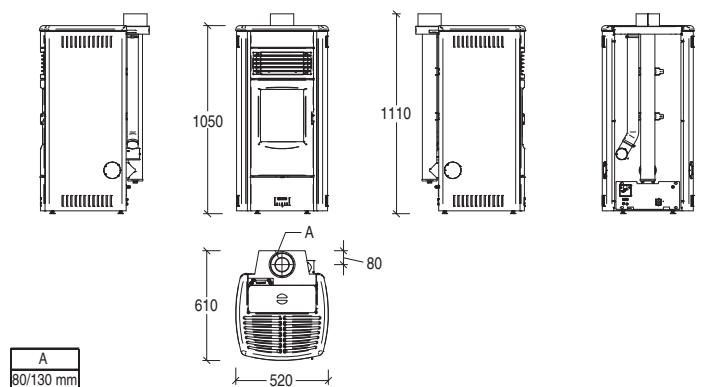
MELANY version with rear flue outlet, standard



MELANY version with top flue outlet, optional



MELANY version with coaxial flue outlet, optional



All drawing dimensions in mm.

PELLET STOVES

MICOL FG



- FORCED VENTILATION**
- HERMETIC**
- NATURAL HEATING**
- WIFI BLUETOOTH**
- DUCTABLE**

GENERAL CHARACTERISTICS

- Heating ductable forced ventilation
- Cladding painted steel
- Top painted steel
- Stove airtight, steel
- Firebox cast iron
- Upper baffle plate Skamolex
- Brazier cast iron
- Door cast iron
- Aesthetic door steel with screen-printed tempered glass
- Door handle painted steel, detachable
- Ceramic glass resistant up to 750°C
- Removable ash drawer yes
- Standard flue outlet position rear
- Ambient probe for temperature control standard
- Programmable timer-thermostat 6 daily time frames
- Warm air outlets front upper
- Humidifier optional
- Pellet level indicator yes
- Brazier cleaning intervals yes
- Glass cleaning system continuous air flow
- Hot air ducting kit optional
- Module WiFi- Bluetoothfor App MYSUPERIOR standard
- Energy Saving yes
- Eco Function yes
- Night mode yes
- Combustion air kit standard
- Optional remote control optional
- Power levels 5
- Installation wall - corner

TECHNICAL DATA *

- Model MICOL FG
- Type SP450-29A
- Energy efficiency class A+
- Room heating capacity m³ 145 - 245
- Nominal heat output (min - max) kW 3,3 - 8,5
- Thermal efficiency (min - max) % ≥ 91 - ≥ 91
- Consumption (min - max) kg/h 0,75 - 1,92
- Standard flue outlet Ø mm 80
- Hopper capacity kg 15,5
- Dimensions W x D x H mm 544 x 546 x 1153
- Stove weight kg 160



* Product currently being certified

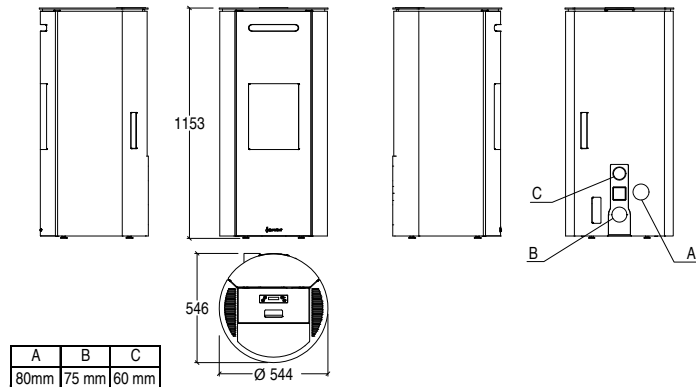
TOTAL PRICE

Total price including stove and painted steel cladding **3.730,00**

MODEL/COLOUR	CODE	EURO
Firebox with BIANCO	S07756100C	3.730,00
cladding GRIGIO	S07756300C	3.730,00
NERO	S07756200C	3.730,00

ACCESSORIES ON REQUEST	CODE	EURO
Hot air ducting kit	N08018001C	250,00
EASY Remote control	N08013033C	80,00
Humidifier	N08019057C	25,00
Flexible pipe Ø 6 cm for combustion air	N08011017	19,00

per linear metre



All drawing dimensions in mm.

PELLET STOVES

MICOL FG TOP



FORCED VENTILATION



HERMETIC



NATURAL HEATING



WIFI BLUETOOTH



DUCTABLE

GENERAL CHARACTERISTICS

- Heating
 - Cladding
 - Top
 - Stove
 - Firebox
 - Upper baffle plate
 - Brazier
 - Door
 - Aesthetic door
 - Door handle
 - Ceramic glass
 - Removable ash drawer
 - Standard flue outlet position
 - Ambient probe for temperature control
 - Programmable timer-thermostat
 - Warm air outlets
 - Humidifier
 - Pellet level indicator
 - Brazier cleaning intervals
 - Glass cleaning system
 - Hot air ducting kit
 - Module WiFi- Bluetoothfor App MYSUPERIOR
 - Energy Saving
 - Eco Function
 - Night mode
 - Combustion air kit
 - Optional remote control
 - Power levels
 - Installation
- ductable forced ventilation
 painted steel
 painted steel
 airtight, steel
 Skamolex
 cast iron
 cast iron
 steel with screen-printed
 tempered glass
 painted steel, detachable
 resistant up to 750°C
 yes
 top - top coaxial, integrated
 standard
 6 daily time frames
 front upper
 optional
 optional
 yes
 yes
 continuous air flow
 optional
 standard
 yes
 yes
 yes
 standard
 optional
 5
 wall - corner

TECHNICAL DATA *

- Model
 - Type
 - Energy efficiency class
 - Room heating capacity
 - Nominal heat output (min - max)
 - Thermal efficiency (min - max)
 - Consumption (min - max)
 - Standard flue outlet Ø
 - Hopper capacity
 - Dimensions W x D x H
 - Stove weight
- MICOL FG TOP
 SP450-27A
 A+
 m³ 145 - 245
 kW 3,3 - 8,5
 % ≥ 92 - ≥ 92
 kg/h 0,75 - 1,92
 mm 80
 kg 15,5
 mm 544 x 546 x 1153
 kg 160



* Product currently being certified

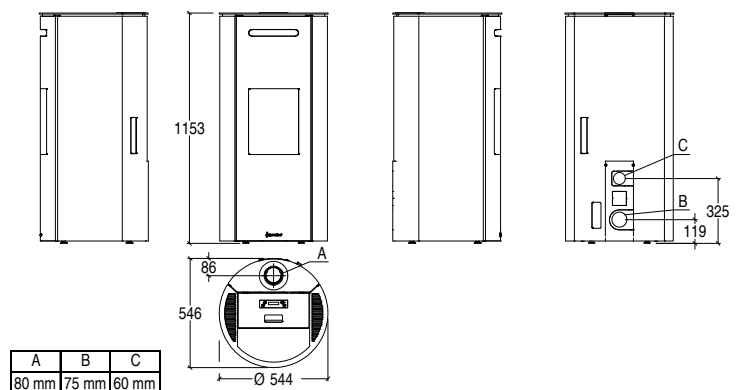
TOTAL PRICE

Total price including stove and painted steel cladding **3.980,00**

	MODEL/COLOUR	CODE	EURO
Firebox with cladding	BIANCO	S07751100C	3.980,00
	GRIGIO	S07751300C	3.980,00
	NERO	S07751200C	3.980,00

ACCESSORIES ON REQUEST	CODE	EURO
Hot air ducting kit	N08018001C	250,00
EASY Remote control	N08013033C	80,00
Humidifier	N08019057C	25,00
Flexible pipe Ø 6 cm for combustion air	N08011017	19,00

per linear metre



All drawing dimensions in mm.

PELLET STOVES

MICOL TG



FORCED VENTILATION



HERMETIC



NATURAL HEATING



WIFI BLUETOOTH



DUCTABLE

GENERAL CHARACTERISTICS

- | | |
|--|---|
| <ul style="list-style-type: none"> • Heating • Cladding • Top • Stove • Firebox • Upper baffle plate • Brazier • Door • Aesthetic door • Door handle • Ceramic glass • Removable ash drawer • Standard flue outlet position • Ambient probe for temperature control • Programmable timer-thermostat • Warm air outlets • Humidifier • Pellet level indicator • Brazier cleaning intervals • Glass cleaning system • Hot air ducting kit • Module WiFi- Bluetoothfor App MYSUPERIOR • Energy Saving • Eco Function • Night mode • Combustion air kit • Optional remote control • Power levels • Installation | <p>ductable forced ventilation
glass
painted steel
airtight, steel
cast iron
Skamolex
cast iron
cast iron
steel with screen-printed
tempered glass
painted steel, detachable
resistant up to 750°C
yes
rear
standard
6 daily time frames
front upper
optional
yes
yes
continuous air flow
optional
standard
yes
yes
yes
standard
optional
5
wall - corner</p> |
|--|---|

TECHNICAL DATA *

- | | |
|--|--|
| <ul style="list-style-type: none"> • Model • Type • Energy efficiency class • Room heating capacity • Nominal heat output (min - max) • Thermal efficiency (min - max) • Consumption (min - max) • Standard flue outlet Ø • Hopper capacity • Dimensions W x D x H • Stove weight | <p>MICOL TG
SP450-29A
A+
m³ 145 - 245
kW 3,3 - 8,5
% ≥ 91 - ≥ 91
kg/h 0,75 - 1,92
mm 80
kg 15,5
mm 544 x 546 x 1153
kg 160</p> |
|--|--|



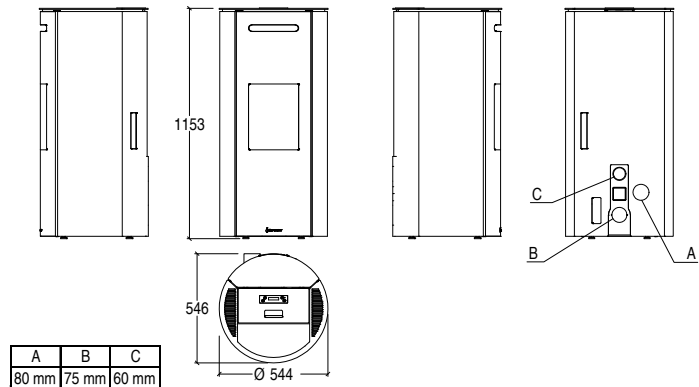
* Product currently being certified

TOTAL PRICE

Total price including stove and painted steel cladding **3.730,00**

MODEL/COLOUR	CODE	EURO
Firebox with cladding NERO	S07756500C	3.730,00

ACCESSORIES ON REQUEST	CODE	EURO
Hot air ducting kit	N08018001C	250,00
EASY Remote control	N08013033C	80,00
Humidifier	N08019057C	25,00
Flexible pipe Ø 6 cm for combustion air	N08011017	19,00 per linear metre



All drawing dimensions in mm.

PELLET STOVES

MICOL TG TOP



GENERAL CHARACTERISTICS

- Heating ductable forced ventilation glass
- Cladding painted steel
- Top airtight, steel
- Stove cast iron Skamolex
- Firebox cast iron
- Upper baffle plate steel with screen-printed tempered glass
- Brazier painted steel, detachable resistant up to 750°C
- Door yes
- Aesthetic door top - top coaxial, integrated standard
- Door handle 6 daily time frames
- Ceramic glass front upper optional
- Removable ash drawer yes
- Standard flue outlet position yes
- Ambient probe for temperature control yes
- Programmable timer-thermostat continuous air flow
- Warm air outlets optional
- Humidifier standard
- Pellet level indicator yes
- Brazier cleaning intervals yes
- Glass cleaning system yes
- Hot air ducting kit continuous air flow
- Module WiFi- Bluetoothfor App MYSUPERIOR optional
- Energy Saving standard
- Eco Function yes
- Night mode yes
- Combustion air kit standard
- Optional remote control optional
- Power levels 5
- Installation wall - corner

TECHNICAL DATA *

- Model MICOL TG TOP
- Type SP450-27A
- Energy efficiency class A+
- Room heating capacity m³ 145 - 245
- Nominal heat output (min - max) kW 3,3 - 8,5
- Thermal efficiency (min - max) % ≥ 92 - ≥ 92
- Consumption (min - max) kg/h 0,75 - 1,92
- Standard flue outlet Ø mm 80
- Hopper capacity kg 15,5
- Dimensions W x D x H mm 544 x 546 x 1153
- Stove weight kg 160



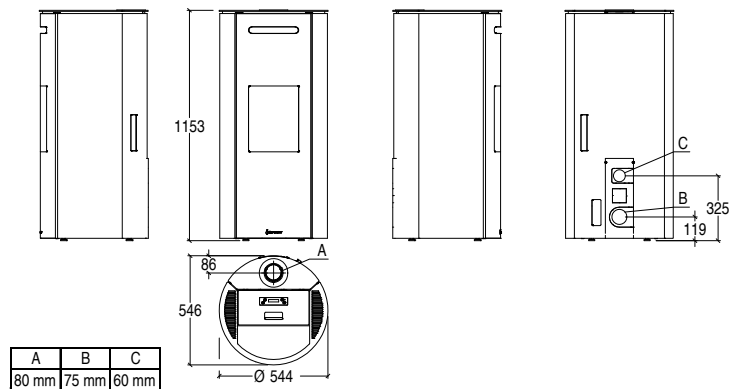
* Product currently being certified

TOTAL PRICE

Total price including stove and painted steel cladding **3.980,00**

MODEL/COLOUR	CODE	EURO
Firebox with cladding NERO	S07751500C	3.980,00

ACCESSORIES ON REQUEST	CODE	EURO
Hot air ducting kit	N08018001C	250,00
EASY Remote control	N08013033C	80,00
Humidifier	N08019057C	25,00
Flexible pipe Ø 6 cm for combustion air	N08011017	19,00 per linear metre



All drawing dimensions in mm.

PELLET STOVES

MILLY



GENERAL CHARACTERISTICS

- Heating ductable forced ventilation
- Cladding painted steel
- Top cast iron with majolica insert
- Stove steel
- Firebox cast iron
- Upper baffle plate cast iron
- Brazier cast iron
- Door cast iron
- Door handle painted steel, detachable
- Ceramic glass resistant up to 750°C
- Removable ash drawer yes
- Standard flue outlet position rear
- Display with digital controls yes
- Ambient probe for temperature control standard
- Programmable timer-thermostat 6 daily time frames
- Warm air outlets front upper
- Humidifier optional
- Pellet level indicator yes
- Brazier cleaning intervals yes
- Glass cleaning system continuous air flow
- Hot air ducting kit optional
- Module WiFi- Bluetoothfor App MYSUPERIOR optional
- Energy Saving yes
- Eco Function yes
- Night mode yes
- Optional remote control optional
- Power levels 4
- Installation wall - corner

TECHNICAL DATA

- Model MILLY
- Type SP10/F-05
- Energy efficiency class A+
- Room heating capacity m³ 135 - 230
- Nominal heat output (min - max) kW 3,9 - 8,0
- Thermal efficiency (min - max) % 87,5 - 87,1
- Consumption (min - max) kg/h 0,9 - 1,9
- Standard flue outlet Ø mm 80
- Hopper capacity kg 18
- Dimensions W x D x H mm 495 x 478 x 1070
- Stove weight kg 98



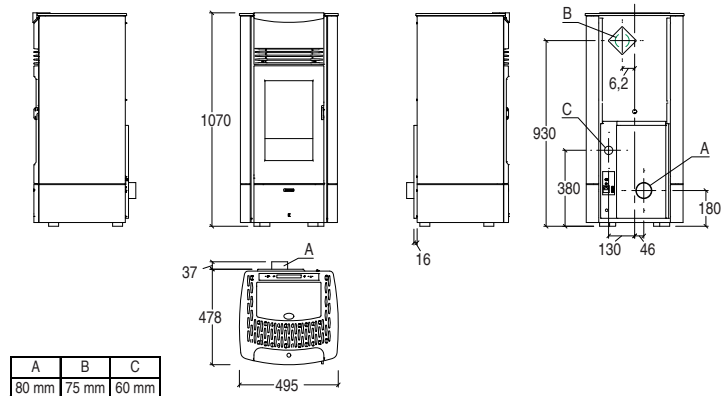
TOTAL PRICE

Total price including stove and painted steel cladding **2.705,00**

	MODEL/COLOUR	CODE	EURO
Firebox with cladding	BIANCO	S07360010C	2.705,00
	BORDEAUX	S07360020C	2.705,00
	GRIGIO	S07360030C	2.705,00

ACCESSORIES ON REQUEST	CODE	EURO
Hot air ducting kit	S08012600C	265,00
Remote control	S08010900C	65,00
Combustion air kit	N08010012C	105,00
Humidifier	S08010910C	30,00
Wi-Fi module for control with Superior App	N08013013C	305,00
Flexible pipe Ø 6 cm for combustion air	N08011017	19,00

per linear metre



All drawing dimensions in mm.

PELLET STOVES

MOIRA



GENERAL CHARACTERISTICS

- Heating ductable forced ventilation
- Cladding painted steel
- Top airtight, steel
- Stove cast iron Skamolex
- Firebox cast iron
- Upper baffle plate cast iron
- Brazier cast iron
- Door painted steel, detachable
- Door handle resistant up to 750°C
- Ceramic glass yes
- Removable ash drawer rear
- Standard flue outlet position standard
- Ambient probe for temperature control 6 daily time frames
- Programmable timer-thermostat front upper
- Warm air outlets optional
- Humidifier yes
- Pellet level indicator yes
- Brazier cleaning intervals yes
- Glass cleaning system continuous air flow
- Hot air ducting kit optional
- Module WiFi- Bluetoothfor App MYSUPERIOR standard
- Energy Saving yes
- Eco Function yes
- Night mode yes
- Combustion air kit standard
- Optional remote control optional
- Power levels 5
- Installation wall - corner

TECHNICAL DATA *

- Model MOIRA
- Type SP450-21 A
- Energy efficiency class A+
- Room heating capacity m³ 145 - 245
- Nominal heat output (min - max) kW 3,3 - 8,5
- Thermal efficiency (min - max) % ≥ 91 - ≥ 91
- Consumption (min - max) kg/h 0,75 - 1,92
- Standard flue outlet Ø mm 80
- Hopper capacity kg 16,5
- Dimensions W x D x H mm 536 x 528 x 1052
- Stove weight kg 112



* Product currently being certified

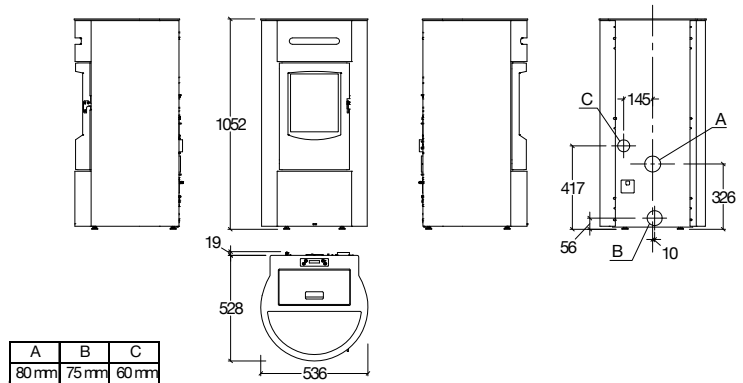
TOTAL PRICE

Total price including stove and painted steel cladding **2.890,00**

	MODEL/COLOUR	CODE	EURO
Firebox with cladding	BIANCO	S07740100C	2.890,00
	GRIGIO	S07740300C	2.890,00
	NERO	S07740200C	2.890,00

	ACCESSORIES ON REQUEST	CODE	EURO
	Hot air ducting kit	N08018002C	250,00
	EASY Remote control	N08013030C	80,00
	Humidifier	N08019053C	25,00
	Flexible pipe Ø 6 cm for combustion air	N08011017	19,00

per linear metre



All drawing dimensions in mm.

PELLET STOVES

RITA



GENERAL CHARACTERISTICS

- Heating ductable forced ventilation
- Cladding painted steel
- Top majolica
- Stove steel
- Firebox cast iron
- Upper baffle plate cast iron
- Brazier steel
- Door cast iron
- Door handle painted steel, detachable
- Ceramic glass resistant up to 750°C
- Removable ash drawer yes
- Standard flue outlet position RH rear - RH side - RH top
- Optional flue outlet LH rear - LH side
- Display with digital controls yes
- Ambient probe for temperature control standard
- Programmable timer-thermostat 6 daily time frames
- Warm air outlets front upper
- Humidifier optional
- Pellet level indicator yes
- Brazier cleaning intervals yes
- Glass cleaning system continuous air flow
- Hot air ducting kit optional
- Optional ambient thermostat separate control of ventilation
- Module WiFi- Bluetoothfor App MYSUPERIOR optional
- Energy Saving yes
- Eco Function yes
- Night mode yes
- Optional remote control optional
- Power levels 5
- Installation wall
- Flush installation yes

TECHNICAL DATA

- Model RITA
- Type SP351-02
- Energy efficiency class A+
- Room heating capacity m³ 190 - 320
- Nominal heat output (min - max) kW 4,1 - 11,2
- Thermal efficiency (min - max) % 90,0 - 90,3
- Consumption (min - max) kg/h 0,9 - 2,5
- Standard flue outlet Ø mm 80
- Hopper capacity kg 25
- Dimensions W x D x H mm 950 x 310 x 1260
- Stove weight kg 170



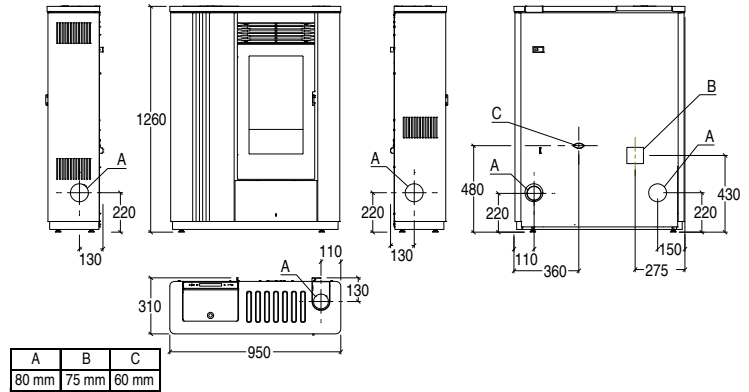
TOTAL PRICE

Total price including stove and painted steel cladding **4.075,00**

	MODEL/COLOUR	CODE	EURO
Firebox with cladding	BIANCO	S07440110C	4.075,00
	BORDEAUX	S07440120C	4.075,00
	GRIGIO	S07440130C	4.075,00

ACCESSORIES ON REQUEST	CODE	EURO
Hot air ducting kit	S08012760C	265,00
Remote control	S08010900C	65,00
Combustion air kit	N08010009C	65,00
Rear / left-hand side flue kit	S08011650C	70,00
Humidifier	S08010910C	30,00
Wi-Fi module for control with Superior App	N08013023C	350,00
Flexible pipe Ø 6 cm for combustion air	N08011017	19,00

per linear metre



All drawing dimensions in mm.

PELLET STOVES

SABRINA



GENERAL CHARACTERISTICS

- | | |
|--|--|
| <ul style="list-style-type: none"> • Heating • Cladding • Top • Stove • Firebox • Upper baffle plate • Brazier • Door • Door handle • Ceramic glass • Removable ash drawer • Standard flue outlet position • Optional flue outlet • Display with digital controls • Ambient probe for temperature control • Programmable timer-thermostat • Warm air outlets • Humidifier • Pellet level indicator • Brazier cleaning intervals • Glass cleaning system • Module WiFi- Bluetoothfor App MYSUPERIOR • Energy Saving • Eco Function • Optional remote control • Power levels • Installation | <ul style="list-style-type: none"> forced ventilation painted steel cast iron with majolica insert steel cast iron cast iron cast iron cast iron painted steel, detachable resistant up to 750°C yes rear LH side yes standard 6 daily time frames front upper optional yes yes continuous air flow optional yes yes optional 5 wall - corner |
|--|--|

TECHNICAL DATA

- | | |
|--|---|
| <ul style="list-style-type: none"> • Model • Type • Energy efficiency class • Room heating capacity • Nominal heat output (min - max) • Thermal efficiency (min - max) • Consumption (min - max) • Standard flue outlet Ø • Hopper capacity • Dimensions W x D x H • Stove weight | <p>SABRINA
SP40/E-01
A+
m³ 170 - 295
kW 4,7 - 10,2
% 88,2 - 88,1
kg/h 1,1 - 2,3
mm 80
kg 30
mm 640 x 540 x 1150
kg 130</p> |
|--|---|



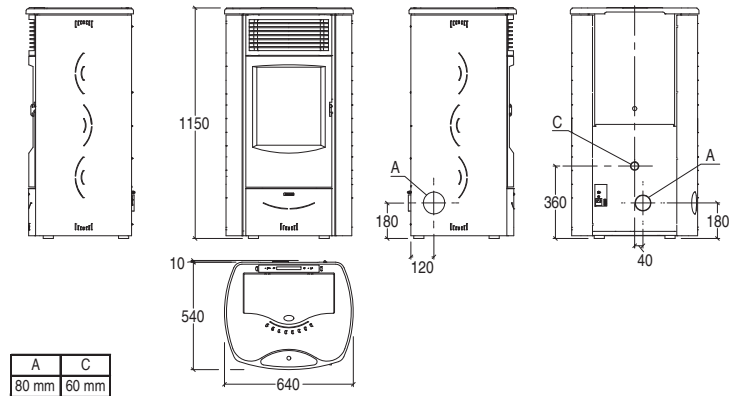
TOTAL PRICE

Total price including stove and painted steel cladding **3.120,00**

	MODEL/COLOUR	CODE	EURO
Firebox with cladding	BIANCO	S07200010C	3.120,00
	BORDEAUX	S07200020C	3.120,00
	GRIGIO	S07200030C	3.120,00

ACCESSORIES ON REQUEST	CODE	EURO
Remote control	S08010900C	65,00
Combustion air kit	N08019032C	65,00
Side left-hand flue kit	S08012590C	85,00
Humidifier	S08010910C	30,00
Wi-Fi module for control with Superior App	N08013013C	305,00
Flexible pipe Ø 6 cm for combustion air	N08011017	19,00

per linear metre



All drawing dimensions in mm.

PELLET STOVES

SALLY



GENERAL CHARACTERISTICS

- Heating forced ventilation
- Cladding painted steel
- Top steel
- Stove steel
- Firebox cast iron
- Upper baffle plate cast iron
- Brazier cast iron
- Door cast iron
- Aesthetic door steel
- Door handle painted steel, detachable
- Ceramic glass resistant up to 750°C
- Removable ash drawer yes
- Standard flue outlet position rear
- Optional flue outlet LH side
- Display with digital controls yes
- Ambient probe for temperature control standard
- Programmable timer-thermostat 6 daily time frames
- Warm air outlets front upper
- Humidifier optional
- Pellet level indicator yes
- Brazier cleaning intervals yes
- Glass cleaning system continuous air flow
- Module WiFi- Bluetoothfor App MYSUPERIOR optional
- Energy Saving yes
- Eco Function yes
- Night mode yes
- Optional remote control optional
- Power levels 5
- Installation wall - corner

TECHNICAL DATA

- Model SALLY
- Type SP40/E-02
- Energy efficiency class A+
- Room heating capacity m³ 170 - 295
- Nominal heat output (min - max) kW 4,7 - 10,2
- Thermal efficiency (min - max) % 88,2 - 88,1
- Consumption (min - max) kg/h 1,1 - 2,3
- Standard flue outlet Ø mm 80
- Hopper capacity kg 30
- Dimensions W x D x H mm 570 x 555 x 1163
- Stove weight kg 130



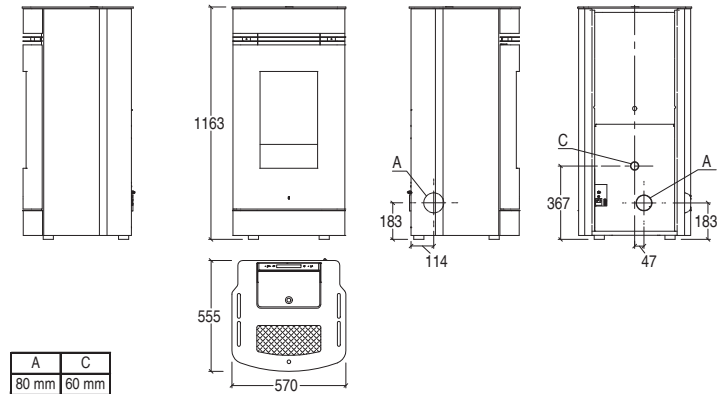
TOTAL PRICE

Total price including stove and painted steel cladding **3.165,00**

	MODEL/COLOUR	CODE	EURO
Firebox with cladding	BIANCO	S07500010C	3.165,00
	BORDEAUX	S07500020C	3.165,00
	GRIGIO	S07500030C	3.165,00

ACCESSORIES ON REQUEST	CODE	EURO
Remote control	S08012960C	65,00
Combustion air kit	N08019032C	65,00
Side left-hand flue kit	S08012590C	85,00
Humidifier	S08010910C	30,00
Wi-Fi module for control with Superior App	N08013013C	305,00
Flexible pipe Ø 6 cm for combustion air	N08011017	19,00

per linear metre



All drawing dimensions in mm.

PELLET STOVES

SOLANGE



GENERAL CHARACTERISTICS

- Heating ductable forced ventilation
- Cladding painted steel
- Top cast iron with majolica insert
- Stove steel
- Firebox cast iron
- Upper baffle plate cast iron
- Brazier cast iron
- Door cast iron
- Door handle painted steel, detachable
- Ceramic glass resistant up to 750°C
- Removable ash drawer yes
- Standard flue outlet position rear
- Optional flue outlet RH side - LH side
- Display with digital controls yes
- Ambient probe for temperature control standard
- Programmable timer-thermostat 6 daily time frames
- Warm air outlets front upper
- Humidifier optional
- Pellet level indicator yes
- Brazier cleaning intervals yes
- Glass cleaning system continuous air flow
- Hot air ducting kit optional
- Optional ambient thermostat separate control of ventilation
- Module WiFi- Bluetoothfor App MYSUPERIOR optional
- Energy Saving yes
- Eco Function yes
- Night mode yes
- Optional remote control optional
- Power levels 5
- Installation wall - corner

TECHNICAL DATA

- Model SOLANGE
- Type SP40/E-02
- Energy efficiency class A+
- Room heating capacity m³ 170 - 295
- Nominal heat output (min - max) kW 4,7 - 10,2
- Thermal efficiency (min - max) % 88,2 - 88,1
- Consumption (min - max) kg/h 1,1 - 2,3
- Standard flue outlet Ø mm 80
- Hopper capacity kg 32
- Dimensions W x D x H mm 620 x 590 x 1245
- Stove weight kg 160



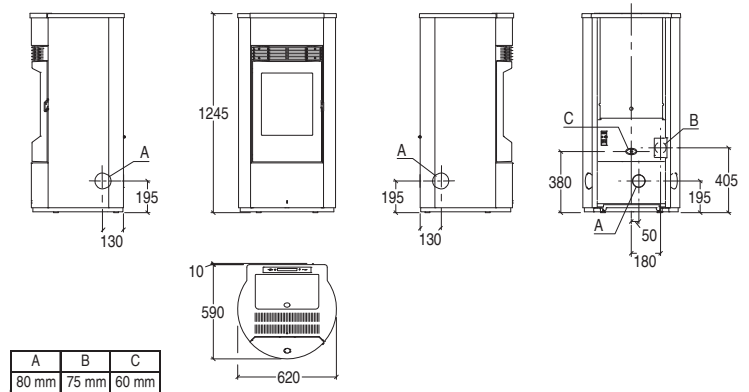
TOTAL PRICE

Total price including stove and painted steel cladding **3.630,00**

	MODEL/COLOUR	CODE	EURO
Firebox with cladding	BIANCO	S07430110C	3.630,00
	BORDEAUX	S07430120C	3.630,00
	GRIGIO	S07430130C	3.630,00

ACCESSORIES ON REQUEST	CODE	EURO
Hot air ducting kit	S08012770C	265,00
Remote control	S08010900C	65,00
Combustion air kit	N08019032C	65,00
Right-hand or left-hand side flue kit	S08012590C	85,00
Humidifier	S08010910C	30,00
Wi-Fi module for control with Superior App	N08013013C	305,00
Flexible pipe Ø 6 cm for combustion air	N08011017	19,00

per linear metre



All drawing dimensions in mm.

PELLET STOVES

SONIA



GENERAL CHARACTERISTICS

- | | |
|---|---|
| <ul style="list-style-type: none"> • Heating • Cladding • Top • Stove • Firebox • Upper baffle plate • Brazier • Door • Door handle • Ceramic glass • Removable ash drawer • Standard flue outlet position • Optional flue outlet • Display with digital controls • Ambient probe for temperature control • Programmable timer-thermostat • Warm air outlets • Humidifier • Pellet level indicator • Brazier cleaning intervals • Glass cleaning system • Hot air ducting kit • Module WiFi- Bluetoothfor App MYSUPERIOR • Energy Saving • Eco Function • Night mode • Optional remote control • Power levels • Installation | <p>ductable forced ventilation
painted steel
cast iron with majolica insert
steel
cast iron
cast iron
cast iron
cast iron
painted steel, detachable
resistant up to 750°C
yes
rear
RH side - LH side
yes
standard
6 daily time frames
front upper
optional
yes
yes
continuous air flow
optional
optional
yes
yes
yes
optional
5
wall - corner</p> |
|---|---|

TECHNICAL DATA

- | | |
|--|---|
| <ul style="list-style-type: none"> • Model • Type • Energy efficiency class • Room heating capacity • Nominal heat output (min - max) • Thermal efficiency (min - max) • Consumption (min - max) • Standard flue outlet Ø • Hopper capacity • Dimensions W x D x H • Stove weight | <p>SONIA
SP40/E-02
A+
m³ 170 - 295
kW 4,7 - 10,2
% 88,2 - 88,1
kg/h 1,1 - 2,3
mm 80
kg 32
mm 610 x 530 x 1230
kg 140</p> |
|--|---|

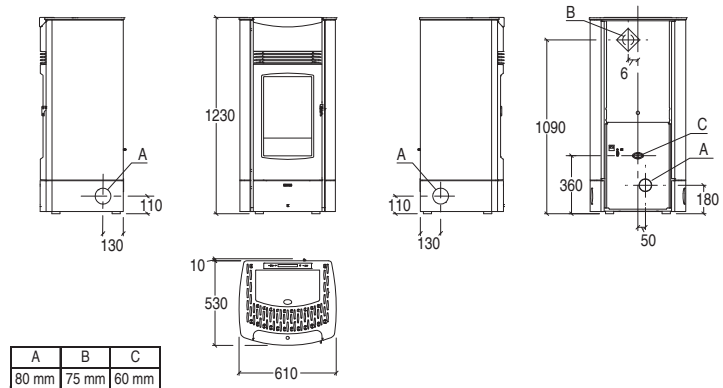


TOTAL PRICE

Total price including stove and painted steel cladding **3.320,00**

	MODEL/COLOUR	CODE	EURO
Firebox with cladding	BIANCO	S07370010C	3.320,00
	BORDEAUX	S07370020C	3.320,00
	GRIGIO	S07370030C	3.320,00

ACCESSORIES ON REQUEST	CODE	EURO
Hot air ducting kit	S08012600C	265,00
Remote control	S08010900C	65,00
Combustion air kit	N08019032C	65,00
Right-hand or left-hand side flue kit	S08012840C	85,00
Humidifier	S08010910C	30,00
Wi-Fi module for control with Superior App	N08013013C	305,00
Flexible pipe Ø 6 cm for combustion air	N08011017	19,00 per linear metre



All drawing dimensions in mm.















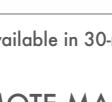
PELLET STOVES

Accessories

HOT AIR DUCTING

ITEM	COMPATIBLE MODELS	CODE	EURO
 Hot air ducting kit	LIA - MILLY - SONIA	S08012600C	265,00
	RITA	S08012760C	265,00
	SOLANGE	S08012770C	265,00
	CHIARA - MOIRA	N08018002C	250,00
	CORINNA FG - CORINNA FG TOP CORINNA TG - CORINNA TG TOP MICOL FG - MICOL FG TOP MICOL TG - MICOL TG TOP	N08018001C	250,00

HOT AIR DUCTING ACCESSORIES - HOT AIR OUTLETS

ITEM	DIMENSIONS IN CM	UNITS PER PACK	CODE	EURO
 Flexible aluminium pipe ^[1]	Ø 7,5	linear metre	N08011005	19,00 per linear metre
 Y-shaped element	Ø 7,5	10	N08011006	30,00
 90° aluminium bend	Ø 7,5	10	N08011007	30,00
 Pipe clamp	Ø 7,5	50	N08011008	5,00
 Connector sleeve	Ø 7,5	50	N08011009	10,00
 Air vent with closure, enamelled white	L 25 x H 12 Ø 7,5	10	N08011001	58,00
 Wall air vent with closure, enamelled white	L 25 x H 11 Ø 7,5	6	N08011002	83,00
 Wall air vent, blasted steel	L 22 x H 5 Ø 7,5	1	NI08012400-0	154,00
 Wall air vent, black enamelled steel	L 22 x H 5 Ø 7,5	1	NI08014190-0	115,00
 Wall air vent, white enamelled steel	L 22 x H 5 Ø 7,5	1	NI08014400-0	115,00
 Wall air vent, blasted steel	L 43 x H 5 Ø 7,5	1	NI08012410-0	258,00
 Wall air vent, black enamelled steel	L 43 x H 5 Ø 7,5	1	NI08014200-0	214,00
 Wall air vent, white enamelled steel	L 43 x H 5 Ø 7,5	1	NI08014410-0	214,00
 Air vent without closure, made of white-painted steel	L 9,5 x H 9,5 Ø 7,0	1	N08011003	64,00
 Air vent with closure, made of white-painted steel	L 9,5 x H 9,5 Ø 7,0	1	N08011004	70,00

[1] Available in 30-metre packs, minimum order quantity 1 metre.

REMOTE MANAGEMENT

ITEM	COMPATIBLE MODELS	CODE	EURO
 Wi-Fi module for control through Superior App inclusive of serial cable and power supply ^[1]	LIA - MILLY - SABRINA SALLY - SOLANGE - SONIA	N08013013C	305,00
	RITA	N08013023C	350,00

[1] Compatible with all models produced or updated starting from 2013.






PELLET STOVES

Accessories

COMBUSTION AIR KIT AND ACCESSORIES

ITEM	COMPATIBLE MODELS	CODE	EURO
 Combustion air kit	MILLY	N08010012C	105,00
 Combustion air kit	RITA	N08010009C	65,00
 Combustion air kit	SABRINA - SALLY SOLANGE - SONIA	N08019032C	65,00
Combustion air kit	GINGER	N08010035C	95,00
 Flexible pipe Ø 6 cm for combustion air	All models	N08011017	19,00 per linear metre
 Aeration grille with spring for wall hole Ø 6.0-7.5 cm, external Ø 16 cm	All models	N08010014	5,00

OTHER ACCESSORIES

ITEM	COMPATIBLE MODELS	CODE	EURO
 EASY Remote control kit	CAMILLA CAROL CHIARA - GINGER MARYON - MELANY MOIRA	N08013030C	80,00
Remote control kit	CAROL FG CLEOPE CLEOPE FG CORINNA FG - CORINNA FG TOP CORINNA TG - CORINNA TG TOP MARY MARY FG MARYON FG MICOL FG - MICOL FG TOP MICOL TG - MICOL TG TOP	N08013033C	80,00
 Remote control	LIA - MILLY - RITA SABRINA - SOLANGE - SONIA	S08010900C	65,00
	SALLY	S08012960C	65,00
 Top coaxial flue kit	CAMILLA - CAROL - CLEOPE	N08011031C	435,00
	MARY - MARYON - MELANY	N08011032C	435,00
	CAROL FG - CLEOPE FG	N08011039C	435,00
	MARY FG - MARYON FG	N08011040C	435,00
 Top flue kit	CAMILLA - CAROL - CLEOPE	N08011033C	285,00
	CAMILLA - CAROL CAROL FG - CLEOPE FG CLEOPE	N08011043C	285,00
	MARY - MARYON - MELANY	N08011034C	285,00
	MARY - MARY FG MARYON MARYON FG MELANY	N08011044C	285,00
Top flue kit	GINGER	N08011059C	100,00
 Top right-hand flue kit	LIA	N08011046C	90,00

PELLET STOVES

Accessories


OTHER ACCESSORIES

ITEM	COMPATIBLE MODELS	CODE	EURO
	LIA	N08011045C	235,00
	CAMILLA - CAROL - CAROL FG - CLEOPE CLEOPE FG - MARY - MARY FG MARYON - MARYON FG - MELANY	N08011035C	90,00
	LIA	N08011047C	25,00
	SONIA (R / L)	S08012840C	85,00
	SABRINA (L) - SALLY (L) SOLANGE (R / L)	S08012590C	85,00
	RITA	S08011650C	70,00
	CAMILLA CAROL CAROL FG CHIARA - CLEOPE CLEOPE FG - GINGER MARY MARY FG - MARYON MARYON FG MELANY - MOIRA	N08019053C	25,00
	LIA - MILLY RITA - SABRINA - SALLY SOLANGE - SONIA	S08010910C	30,00
	CORINNA FG - CORINNA FG TOP CORINNA TG - CORINNA TG TOP MICOL FG - MICOL FG TOP MICOL TG - MICOL TG TOP	N08019057C	25,00



PELLET STOVES

Accessories

PROTECTION KIT












ITEM	COMPATIBLE MODELS	CODE	EURO
 Protection kit	SALLY	S08012980C	90,00
Protection kit	CLEOPE MARY	S08012970C	80,00

FLOOR PROTECTION

ITEM	COMPATIBLE MODELS	DIMENSIONS IN CM	CODE	EURO
 Rectangular steel floor plate	All models	100x120	P08024300C	325,00
 Round edged steel floor plate	All models	100x120	P08024310C	325,00

PIPES - BENDS - CONNECTORS FOR PELLET APPLIANCES

Aluminium coated steel connecting flue pipes single wall, 2 mm thick, V2 corrosion resistance class, EN 1856-2 compliant

ITEM	DIMENSIONS IN CM	Ø MM	CODE	EURO
 Pipe with inspection	L 25	80	P08025890	44,00
 Pipe	L 25	80	P08025370	39,00
	L 50	80	P08025380	64,00
	L 100	80	P08025390	96,00
 Bend 90° with inspection	L 16 x H 16	80	P08025910	96,00
 Bend 90°	L 16 x H 16	80	P08025400	89,00
 Bend 45°	L 12 x H 12	80	P08025410	64,00
 T-fitting w/RH and LH side inspection port	L 14 x H 18	80	P08027250	115,00
 T-fitting w/support ^[1]	L 12 x H 17-22	80	P08027230	145,00
 T-fitting w/support ^[1]	L 12 x H 17-22	80-100	P08027240	145,00
 T-fitting w/inspection port	L 18 x H 14	80	P08025430	102,00
 Flue ring	-	80	P08025490	34,00
 Wall connector	-	80	P08025550	34,00

[1] Not compatible with CAMILLA, CAROL, CLEOPE, MARY, MARYON, MELANY.

PELLET INSERTS

Data charts	46
SCP 7	47
SCP 9	48
SCP 11	49
Accessories	50

Pellet inserts

Data charts



Technical data	Units	SCP 7	SCP 9	SCP 11
Forced ventilation		yes	yes	yes
Ductable		-	-	-
Natural convection		-	-	-
Hermetic		-	-	-
Model		SCP 7	SCP 9	SCP 11
Type		YP103-01	YP113-01	YP115-01
Energy efficiency class		A+	A+	A+
Dimensions W x D x H	mm	680 x 490 x 490	780 x 550 x 580	780 x 550 x 680
Nominal heat output (min - max)	kW	3,5 - 7	4,5 - 9	4,6 - 11
Thermal efficiency (min - max)	%	88,3 - 87,4	88,4 - 87,3	87,7 - 87,3
Consumption (min - max)	kg/h	0,8 - 1,6	1 - 2,1	1 - 2,6
Standard flue outlet Ø	mm	80	80	80
Hopper capacity	kg	8	13	22
Stove weight	kg	100	140	150
Room heating capacity *	m ²	120 - 200	150 - 260	185 - 315
Cladding		-	-	-
Top		-	-	-
Stove		steel, removable with sliding runners	steel, removable with sliding runners	steel, removable with sliding runners
Firebox		cast iron	cast iron	cast iron
Upper baffle plate		cast iron	cast iron	cast iron
Brazier		steel	steel	steel
Door		cast iron	cast iron	cast iron
Aesthetic door		-	-	-
Door handle		painted steel, detachable	painted steel, detachable	painted steel, detachable
Standard flue outlet position		LH top	LH top	LH top
Optional flue outlet		-	-	-
Remote control		-	-	-
Display with digital controls		yes	yes	yes
Power levels		4	5	5
Ambient probe for controlling the set temperature		yes	yes	yes
Programmable timer-thermostat		6 daily time frames	6 daily time frames	6 daily time frames
Warm air outlets		front upper	front upper	front upper
Humidifier		-	-	-
Ceramic glass		resistant up to 750°C	resistant up to 750°C	resistant up to 750°C
Glass cleaning system		continuous air flow	continuous air flow	continuous air flow
Brazier cleaning intervals		yes	yes	yes
Pellet level indicator		-	-	-
Pellet level sensor		yes	yes	yes
Hot air ducting kit		-	-	-
Optional ambient thermostat		-	-	-
Removable ash drawer		-	-	-
Module for the App Superior management		optional	optional	optional
Module for SMS management		-	-	-
Function control		wired in external display with wall mount room temperature sensor	wired in external display with wall mount room temperature sensor	wired in external display with wall mount room temperature sensor
Energy Saving		yes	yes	yes
Eco Function		yes	yes	yes
Night mode		-	-	-
Installation **		-	-	-
Flush installation		-	-	-
Page		47	48	49

* Calculated on the basis of nominal heat output, referring to rooms with a heating requirement between 0.060 and 0.035 kW per m³. We recommend always contacting a heating engineer for the final calculations.

** Please refer to the instruction manual for details regarding the type of installation.

PELLET INSERTS

SCP 7



GENERAL CHARACTERISTICS

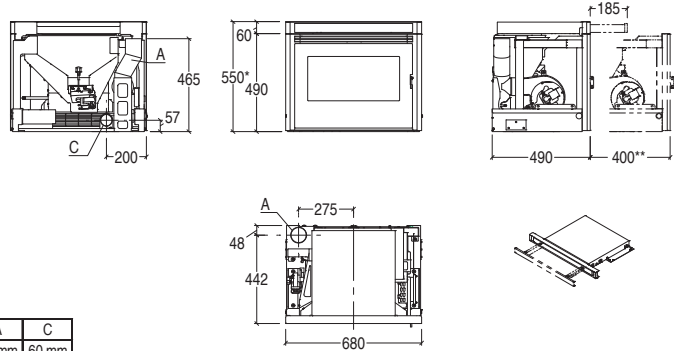
- Fuel pellet
- Heating forced ventilation
- Stove steel, removable with sliding runners
- Firebox cast iron
- Brazier steel
- Door cast iron
- Door handle painted steel, detachable
- Opening cast-iron door
- Standard flue outlet position LH top
- Function control wired in external display with wall mount room temperature sensor
- Power levels 4
- Programmable timer-thermostat 6 daily time frames
- Warm air outlets front upper
- Ceramic glass resistant up to 750°C
- Glass cleaning system continuous air flow
- Brazier cleaning intervals yes
- Pellet level sensor yes
- Energy Saving yes
- Eco Function yes
- Ambient probe for controlling the set temperature standard
- Module for the App Superior management optional
- Ash vacuum cleaner optional
- Combustion air kit optional
- Feet kit optional
- Closing frame kit optional
- Kit containing pellet front-loading tray optional
- Adjustable front pellet loading optional
- Additional hopper with front- rear and R or L side loading optional

TECHNICAL DATA

- Model SCP7
- Type YP103-01
- Energy efficiency class A+
- Room heating capacity m³ 120 - 200
- Nominal heat output (min - max) kW 3,5 - 7,0
- Thermal efficiency (min - max) % 88,3 - 87,4
- Consumption (min - max) kg/h 0,8 - 1,6
- Standard flue outlet Ø mm 80
- Hopper capacity kg 8
- Dimensions W x D x H mm 680 x 490 x 490
- Weight kg 100



	MODEL	CODE	EURO
Insert	SCP 7	S04806800C	2.690,00
ACCESSORIES ON REQUEST		CODE	EURO
	Wi-Fi module for control with Superior App	N08013023C	350,00
	Fixed rise kit: W 62 x D 40 x H 38 cm	N08019001C	205,00
	Adjustable legs kit H 42-52 cm	N08019005C	100,00
	Pellet-loading front tray kit	N08019003C	355,00
	Kit containing tank with front loading, total capacity approx. 35 kg	N08019007C	760,00
	Kit containing tank with right-hand or left-hand loading to be positioned on the chimney, total capacity approx. 45 kg	N08019009C	615,00
	Kit containing tank with adjustable loading, total capacity approx. 18 kg	N08019005C	400,00
	Front closure frame kit not compatible with front pellet loading drawer	N08014001C	125,00
	Front closure frame kit compatible with front pellet loading drawer	N08014010C	125,00
	Edge profile	N08014003C	370,00
	Edge profile (Front tray kit for pellet loading, compatible)	N08014004C	370,00
	Combustion air kit	N08010017C	145,00
	Flexible pipe Ø 6 cm for combustion air	N08011017	19,00
	Ash vacuum cleaner	N08019019C	100,00



- * Height with optional front pellet-loading tray
- ** Extracted insert overall dimensions.

All drawing dimensions in mm.

PELLET INSERTS

SCP 9



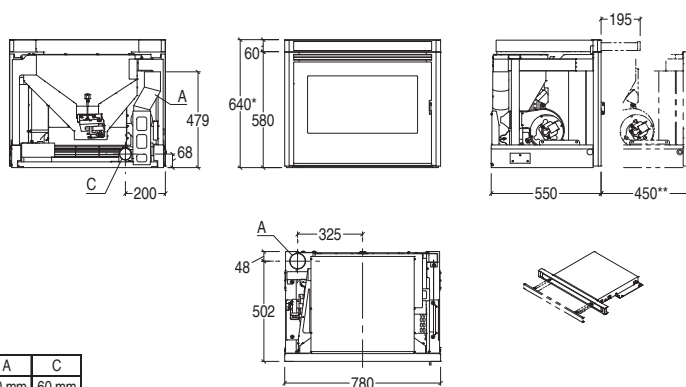
GENERAL CHARACTERISTICS

- Fuel pellet
- Heating forced ventilation
- Stove steel, removable with sliding runners
- Firebox cast iron
- Brazier steel
- Door cast iron
- Door handle painted steel, detachable
- Opening cast-iron door
- Standard flue outlet position LH top
- Function control wired in external display with wall mount room temperature sensor
- Warm air outlets front upper
- Power levels 5
- Programmable timer-thermostat 6 daily time frames
- Ceramic glass resistant up to 750°C
- Glass cleaning system continuous air flow
- Brazier cleaning intervals yes
- Pellet level sensor yes
- Energy Saving yes
- Eco Function yes
- Ambient probe for controlling the set temperature standard
- Module for the App Superior management optional
- Ash vacuum cleaner optional
- Combustion air kit optional
- Feet kit optional
- Closing frame kit optional
- Kit containing pellet front-loading tray optional
- Adjustable front pellet loading optional
- Additional hopper with front- rear and R or L side loading optional

TECHNICAL DATA

- Model SCP9
- Type YP113-01
- Energy efficiency class A+
- Room heating capacity m³ 150 - 260
- Nominal heat output (min - max) kW 4,5 - 9
- Thermal efficiency (min - max) % 88,4 - 87,3
- Consumption (min - max) kg/h 1,0 - 2,1
- Standard flue outlet Ø mm 80
- Hopper capacity kg 13
- Dimensions W x D x H mm 780 x 550 x 580
- Weight kg 140

MODEL	CODE	EURO
Insert SCP 9	S04807800C	3.225,00
ACCESSORIES ON REQUEST		EURO
Wi-Fi module for control with Superior App	N08013023C	350,00
Fixed rise kit: W 72 x D 45 x H 38 cm	N08019002C	205,00
Adjustable legs kit H 42-52 cm	N080190051C	100,00
Pellet-loading front tray kit	N08019004C	405,00
Kit containing tank with front loading, total capacity approx. 42 kg	N08019008C	815,00
Kit containing tank with right-hand or left-hand loading to be positioned on the chimney, total capacity approx. 52 kg	N08019010C	675,00
Kit containing tank with adjustable loading, total capacity approx. 23 kg	N08019006C	455,00
Front closure frame kit not compatible with front pellet loading drawer	N08014002C	125,00
Front closure frame kit compatible with front pellet loading drawer	N08014011C	125,00
Edge profile	N08014005C	370,00
Edge profile (Front tray kit for pellet loading, compatible)	N08014006C	370,00
Combustion air kit	N08010018C	145,00
Flexible pipe Ø 6 cm for combustion air	N08011017	19,00
Ash vacuum cleaner	N08019019C	100,00



* Height with optional front pellet-loading tray
 ** Extracted insert overall dimensions.

All drawing dimensions in mm.



PELLET INSERTS

SCP 11



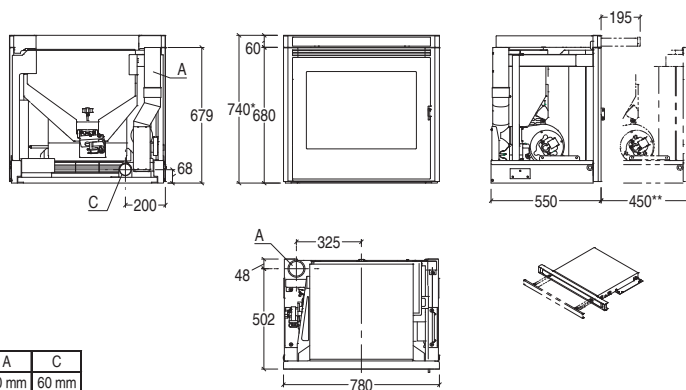
GENERAL CHARACTERISTICS

- Fuel pellet
- Heating forced ventilation
- Stove steel, removable with sliding runners
- Firebox cast iron
- Brazier steel
- Door cast iron
- Door handle painted steel, detachable
- Opening cast-iron door
- Standard flue outlet position LH top
- Function control wired in external display with wall mount room temperature sensor
- Power levels 5
- Programmable timer-thermostat 6 daily time frames
- Warm air outlets front upper
- Ceramic glass resistant up to 750°C
- Glass cleaning system continuous air flow
- Brazier cleaning intervals yes
- Pellet level sensor yes
- Energy Saving yes
- Eco Function yes
- Ambient probe for controlling the set temperature standard
- Module for the App Superior management optional
- Ash vacuum cleaner optional
- Combustion air kit optional
- Feet kit optional
- Closing frame kit optional
- Kit containing pellet front-loading tray optional
- Adjustable front pellet loading optional
- Additional hopper with front- rear and R or L side loading optional

TECHNICAL DATA

• Model	SCP11
• Type	YP115-01
• Energy efficiency class	A+
• Room heating capacity	m ³ 185 - 315
• Nominal heat output (min - max)	kW 4,6 - 11,0
• Thermal efficiency (min - max)	% 87,7 - 87,3
• Consumption (min - max)	kg/h 1,0 - 2,6
• Standard flue outlet Ø	mm 80
• Hopper capacity	kg 22
• Dimensions W x D x H	mm 780 x 550 x 680
• Weight	kg 150

MODEL	CODE	EURO
Insert SCP 11	S04808800C	3.370,00
ACCESSORIES ON REQUEST		EURO
Wi-Fi module for control with Superior App	N08013023C	350,00
Fixed rise kit: W 72 x D 45 x H 38 cm	N08019002C	205,00
Adjustable legs kit H 42-52 cm	N080190051C	100,00
Pellet-loading front tray kit	N08019004C	405,00
Kit containing tank with front loading, total capacity approx. 42 kg	N08019016C	870,00
Kit containing tank with right-hand or left-hand loading to be positioned on the chimney, total capacity approx. 52 kg	N08019015C	705,00
Kit containing tank with adjustable loading, total capacity approx. 23 kg	N08019017C	455,00
Front closure frame kit not compatible with front pellet loading drawer	N08014007C	135,00
Front closure frame kit compatible with front pellet loading drawer	N08014012C	135,00
Edge profile	N08014008C	370,00
Edge profile (Front tray kit for pellet loading, compatible)	N08014009C	370,00
Combustion air kit	N08010018C	145,00
Flexible pipe Ø 6 cm for combustion air	N08011017	19,00
Ash vacuum cleaner	N08019019C	100,00



- * Height with optional front pellet-loading tray
- ** Extracted insert overall dimensions.

All drawing dimensions in mm.



PELLET INSERTS

Accessories


ACCESSORIES FOR PELLET INSERTS

ITEM	COMPATIBLE MODELS	CODE	EURO
 Fixed rise kit: W 62 x D 40 x H 38 cm	SCP 7	N08019001C	205,00
 Fixed rise kit: W 72 x D 45 x H 38 cm	SCP 9 - SCP 11	N08019002C	205,00
 Adjustable legs kit H 42-52 cm	SCP 7 - SCP 9 - SCP 11	N08019051C	100,00
 Pellet-loading front tray kit	SCP 7	N08019003C	355,00
 Pellet-loading front tray kit	SCP 9 - SCP 11	N08019004C	405,00
 Kit containing tank with front loading, total capacity approx. 35 kg	SCP 7	N08019007C	760,00
 Kit containing tank with front loading, total capacity approx. 42 kg	SCP 9	N08019008C	815,00
 Kit containing tank with front loading, total capacity approx. 42 kg	SCP 11	N08019016C	870,00
 Kit containing tank with right-hand or left-hand loading to be positioned on the chimney, total capacity approx. 45 kg	SCP 7	N08019009C	615,00
 Kit containing tank with right-hand or left-hand loading to be positioned on the chimney, total capacity approx. 52 kg	SCP 9	N08019010C	675,00
 Kit containing tank with right-hand or left-hand loading to be positioned on the chimney, total capacity approx. 52 kg	SCP 11	N08019015C	705,00
 Kit containing tank with adjustable loading, total capacity approx. 18 kg	SCP 7	N08019005C	400,00
 Kit containing tank with adjustable loading, total capacity approx. 23 kg	SCP 9	N08019006C	455,00
 Kit containing tank with adjustable loading, total capacity approx. 23 kg	SCP 11	N08019017C	455,00
 Front closure frame kit not compatible with front pellet loading drawer	SCP 7	N08014001C	125,00
 Front closure frame kit not compatible with front pellet loading drawer	SCP 9	N08014002C	125,00
 Front closure frame kit not compatible with front pellet loading drawer	SCP 11	N08014007C	135,00
 Front closure frame kit compatible with front pellet loading drawer	SCP 7	N08014010C	125,00
 Front closure frame kit compatible with front pellet loading drawer	SCP 9	N08014011C	125,00
 Front closure frame kit compatible with front pellet loading drawer	SCP 11	N08014012C	135,00
 Edge profile	SCP 7	N08014003C	370,00
 Edge profile	SCP 9	N08014005C	370,00
 Edge profile	SCP 11	N08014008C	370,00
 Edge profile (Front tray kit for pellet loading, compatible)	SCP 7	N08014004C	370,00
 Edge profile (Front tray kit for pellet loading, compatible)	SCP 9	N08014006C	370,00
 Edge profile (Front tray kit for pellet loading, compatible)	SCP 11	N08014009C	370,00





PELLET INSERTS

Accessories

REMOTE MANAGEMENT








ITEM	COMPATIBLE MODELS	CODE	EURO
 Wi-Fi module for control with Superior App	All models	N08013023C	350,00

COMBUSTION AIR KIT

ITEM	COMPATIBLE MODELS	CODE	EURO
 Combustion air kit	SCP 7	N08010017C	145,00
 Combustion air kit	SCP 9 - SCP 11	N08010018C	145,00
 Flexible pipe Ø 6 cm for combustion air	All models	N08011017	19,00 per linear metre
 Aeration grille with spring for wall hole Ø 6.0-7.5 cm, external Ø 16 cm	All models	N08010014	5,00

PIPES - BENDS - CONNECTORS FOR PELLETS INSERTS

Aluminium coated steel connecting flue pipes single wall, 2 mm thick, V2 corrosion resistance class, EN 1856-2 compliant

ITEM	DIMENSIONS IN CM	Ø MM	CODE	EURO
 Pipe with inspection	L 25	80	P08025890	44,00
 Pipe	L 25	80	P08025370	39,00
 Pipe	L 50	80	P08025380	64,00
 Pipe	L 100	80	P08025390	96,00
 Bend 90° with inspection	L 16 x H 16	80	P08025910	96,00
 Bend 90°	L 16 x H 16	80	P08025400	89,00
 Bend 45°	L 12 x H 12	80	P08025410	64,00
 Flue ring	-	80	P08025490	34,00
 Wall connector	-	80	P08025550	34,00

PELLET STOVES - THERMO

Data charts	54
TANYA TH	55
Accessories	56

Pellet boiler stoves

Data charts



Technical data	Units	TANYA TH
Hot water production		yes
Forced ventilation		yes
Model		TANYA TH
Type		SP60-03
Energy efficiency class		A+
Dimensions W x D x H	mm	620 x 580 x 1220
Nominal heat output (min - max)	kW	5,1 - 13,9
Heat output to water (min - max)	kW	4,1 - 12,1
Thermal efficiency (min - max)	%	89,6 - 92,6
Consumption (min - max)	kg/h	1,1 - 3,0
Standard flue outlet Ø	mm	80
Hopper capacity	kg	35
Boiler capacity	l	23,5
Maximum operating pressure	bar	1,5
3 bar relief valve	Ø	1/2"
System delivery	Ø	3/4"
System return	Ø	3/4"
System filling	Ø	1/2"
Stove weight	kg	189
Cladding		painted steel
Top		steel
Stove		steel
Boiler		steel
Firebox		steel - Aluker®
Upper baffle plate		steel
Brazier		cast iron
Conveyor		-
Heat exchanger cleaning system		rotor cleaning system, patented
Expansion tank		standard
Standard circulator		high efficiency
Safety valve and relief valve		standard
Door		cast iron
Door handle		painted steel, detachable
Standard flue outlet position		LH rear
Optional flue outlet		LH side
Function control		control panel with digital controls
Power levels		16 automatic power levels based on set water temperature
Programmable timer-thermostat		6 daily time frames
Ceramic glass		resistant up to 750°C
Glass cleaning system		continuous air flow
Brazier cleaning intervals		yes
Pellet level indicator		yes
Energy Saving		yes
Eco Function		yes
Anti-freeze Function		yes
Probe for managing storage tank		standard
Probe for managing SHW storage tank		standard
Can be connected to an external thermostat		yes
Aux control		yes
Ash pan		yes
Flue gas chamber ash pan		-
Electronically-controlled anti-condensation valve		-
Combustion air kit		optional
Ventilation		standard
Module for the App Superior management		optional
Installation **		wall - corner
Flush installation		-
Page		55

* Please refer to the instruction manual for details regarding the type of installation.

PELLET BOILER STOVES

TANYA TH



THERMO



FORCED VENTILATION

Technical drawing on page 55.

Data chart on page 54.

GENERAL CHARACTERISTICS

- Heating hot water production - forced ventilation
- Cladding painted steel
- Top steel
- Stove steel
- Boiler steel
- Firebox steel - Aluker®
- Upper baffle plate steel
- Brazier cast iron
- Heat exchanger cleaning system rotating scrapers
- Expansion tank standard
- Standard circulator high efficiency
- Safety valve and relief valve standard
- Door cast iron
- Door handle painted steel, detachable
- Standard flue outlet position LH rear
- Optional flue outlet LH side
- Function control control panel with digital controls
- Power levels 16 automatic power levels based on set water temperature
- Programmable timer-thermostat 6 daily time frames
- Ceramic glass resistant up to 750°C
- Glass cleaning system continuous air flow
- Brazier cleaning intervals yes
- Pellet level indicator yes
- Energy Saving yes
- Eco Function yes
- Anti-freeze Function yes
- Probe for managing storage tank standard
- Probe for managing SHW storage tank standard
- Can be connected to an external thermostat yes
- Aux control yes
- Ash pan removable
- Combustion air kit optional
- Ventilation standard
- Module for the App Superior management optional
- Installation wall - corner

TECHNICAL DATA

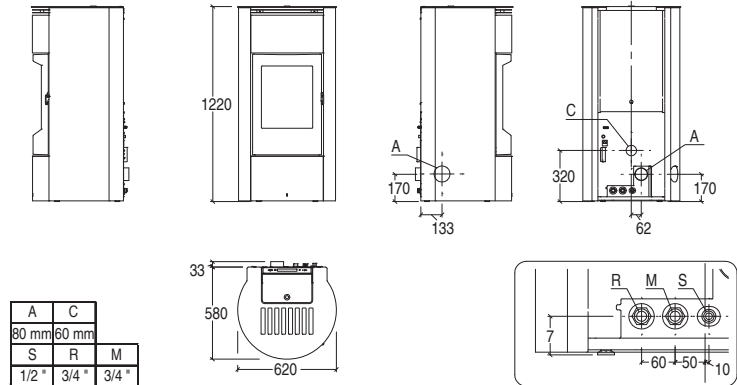
• Model	TANYA TH
• Type	SP60-03
• Energy efficiency class	A+
• Nominal heat output (min - max)	kW 5,1 - 13,9
• Heat output to water (min - max)	kW 4,1 - 12,1
• Thermal efficiency (min - max)	% 89,6 - 92,6
• Consumption (min - max)	kg/h 1,1 - 3,0
• Nominal voltage	V-Hz 230 - 50
• Standard flue outlet Ø	mm 80
• Hopper capacity	kg 35
• Boiler capacity	l 23,5
• Maximum operating pressure	bar 1,5
• 3 bar relief valve	Ø 1/2"
• System delivery	Ø 3/4"
• System return	Ø 3/4"
• System filling	Ø 1/2"
• Dimensions W x D x H	mm 620 x 580 x 1220
• Stove weight	kg 189



Total price including stove and painted steel cladding **5.280,00**

MODEL/COLOUR	CODE	EURO
Firebox with cladding BIANCO	S07570110C	5.280,00
BORDEAUX	S07570120C	5.280,00
GRIGIO	S07570130C	5.280,00

ACCESSORIES ON REQUEST	CODE	EURO
Kit for connection to the hydraulic system comprising manometer, ball valves and fittings	N08019012C	180,00
Side left-hand flue kit	N08010016C	65,00
Wi-Fi module for control with Superior App	N08013013C	305,00
Combustion air kit	N08010011C	35,00
Flexible pipe Ø 6 cm for combustion air	N08011017	19,00 per linear metre




All drawing dimensions in mm.


PELLET BOILER STOVES

Accessories

CONNECTION TO HYDRAULIC CIRCUIT




ITEM	COMPATIBLE MODELS	CODE	EURO
 <p>Kit for connection to the hydraulic system comprising manometer, ball valves and fittings</p>	TANYA TH	N08019012C	180,00

REMOTE MANAGEMENT


ITEM	COMPATIBLE MODELS	CODE	EURO
 <p>Wi-Fi module for control through Superior App inclusive of serial cable and power supply [1]</p>	TANYA TH	N08013013C	305,00

[1] Compatible with all models produced or updated starting from 2013.


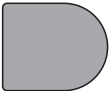
COMBUSTION AIR KIT

ITEM	COMPATIBLE MODELS	CODE	EURO
 <p>Combustion air kit</p>	TANYA TH	N08010011	35,00
 <p>Flexible pipe Ø 6 cm for combustion air</p>	TANYA TH	N08011017	19,00 per linear metre
 <p>Aeration grille with spring for wall hole Ø 6.0-7.5 cm, external Ø 16 cm</p>	TANYA TH	N08010014	5,00


OTHER ACCESSORIES

ITEM	COMPATIBLE MODELS	CODE	EURO
 <p>Side left-hand flue kit</p>	TANYA TH	N08010016C	65,00

FLOOR PROTECTION

ITEM	COMPATIBLE MODELS	DIMENSIONS IN CM	CODE	EURO
 <p>Rectangular steel floor plate</p>	TANYA TH	100x120	P08024300	325,00
 <p>Round edged steel floor plate</p>	TANYA TH	100x120	P08024310	325,00

CLEANING AND MAINTENANCE ACCESSORIES












ITEM	COMPATIBLE MODELS	CODE	EURO
 <p>Cleaning rod</p>	All models	P08061290C	45,00

PELLET BOILER STOVES

Accessories

PIPES - BENDS - CONNECTORS FOR PELLET BOILER APPLIANCES

Aluminium coated steel connecting flue pipes single wall, 2 mm thick, V2 corrosion resistance class, EN 1856-2 compliant

	ITEM	DIMENSIONS IN CM	Ø MM	COMPATIBLE MODELS	CODE	EURO
	Pipe with inspection	L 25	80	TANYA TH	P08025890	44,00
	Pipe	L 25	80	TANYA TH	P08025370	39,00
		L 50	80	TANYA TH	P08025380	64,00
		L 100	80	TANYA TH	P08025390	96,00
	Bend 90° with inspection	L 16 x H 16	80	TANYA TH	P08025910	96,00
	Bend 90°	L 16 x H 16	80	TANYA TH	P08025400	89,00
	Bend 45°	L 12 x H 12	80	TANYA TH	P08025410	64,00
	T-fitting w/RH and LH side inspection port	L 14 x H 18	80	TANYA TH	P08027250	115,00
	T-fitting w/support	L 12 x H 17-22	80	TANYA TH	P08027230	145,00
	T-fitting w/support	L 12 x H 17-22	80-100	TANYA TH	P08027240	145,00
	T-fitting w/inspection port	L 18 x H 14	80	TANYA TH	P08025430	102,00
	Flue ring	-	80	TANYA TH	P08025490	34,00
	Wall connector	-	80	TANYA TH	P08025550	34,00

PELLET-BURNING VENTILATED THERMO INSERTS

SCP 14 TH 60

Accessories 61

PELLET-BURNING VENTILATED THERMO INSERTS

SCP 14 TH



THERMO



FORCED VENTILATION

	MODEL	CODE	EURO
Insert Thermo Ventilated	SCP 14 TH WITH LOADING TRAY	SI4809810-0	5.160,00
	SCP 14 TH WITH ADJUSTABLE LOADING	SI4809820-0	5.210,00
	SCP 14 TH WITH FRONT LOADING	SI4809830-0	5.625,00
	SCP 14 TH WITH LOADING RIGHT OR LEFT	SI4809840-0	5.460,00


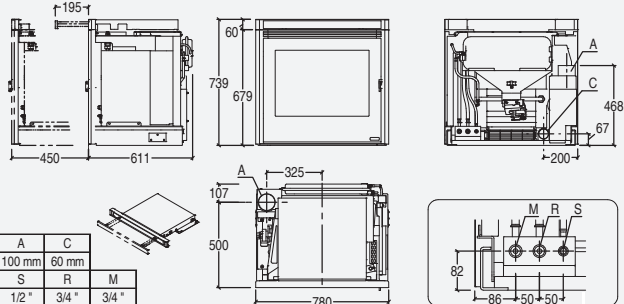
TECHNICAL DATA

• Model	SCP 14 TH	
• Type	YP250-01	
• Energy efficiency class	A+	
• Nominal heat output (min - max)	kW	5,0 - 16,9
• Heat output to water (min - max)	kW	3,9 - 14,0
• Heat output to environment (min - max)	kW	1,1 - 2,9
• Thermal efficiency (min - max)	%	91,1 - 90,1
• Consumption (min - max)	kg/h	1,1 - 3,9
• Nominal voltage	V-Hz	230 - 50
• Standard flue outlet Ø	mm	100
• Hopper capacity	kg	22
• Dimensions W x D x H	mm	780 x 611 x 739
• Weight	kg	180


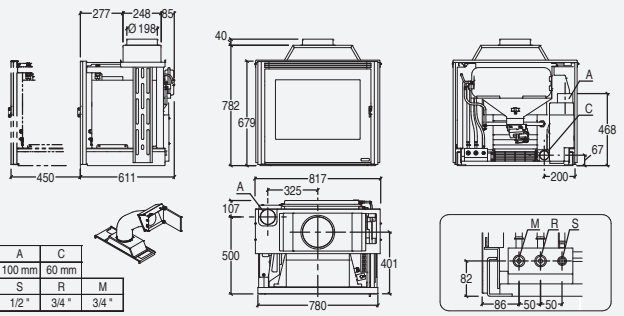

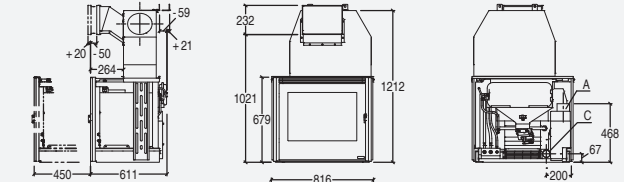

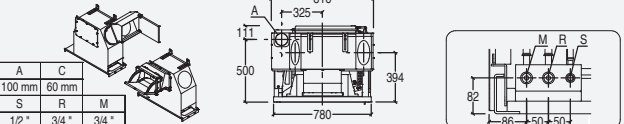


Essential kits

PELLET-LOADING TRAYS

ITEM													
 <p>Pellet-loading front tray</p>	 <table border="1" data-bbox="885 1294 1024 1366"> <thead> <tr> <th>A</th> <th>C</th> </tr> </thead> <tbody> <tr> <td>100 mm</td> <td>60 mm</td> </tr> <tr> <td>1/2"</td> <td>3/4"</td> </tr> </tbody> </table> <table border="1" data-bbox="885 1326 1024 1366"> <thead> <tr> <th>S</th> <th>R</th> <th>M</th> </tr> </thead> <tbody> <tr> <td>1/2"</td> <td>3/4"</td> <td>3/4"</td> </tr> </tbody> </table>	A	C	100 mm	60 mm	1/2"	3/4"	S	R	M	1/2"	3/4"	3/4"
A	C												
100 mm	60 mm												
1/2"	3/4"												
S	R	M											
1/2"	3/4"	3/4"											


PELLET TANKS

ITEM													
 <p>Kit containing tank with adjustable loading, total capacity approx. 29 kg</p>	 <table border="1" data-bbox="885 1729 1024 1800"> <thead> <tr> <th>A</th> <th>C</th> </tr> </thead> <tbody> <tr> <td>100 mm</td> <td>60 mm</td> </tr> <tr> <td>1/2"</td> <td>3/4"</td> </tr> </tbody> </table> <table border="1" data-bbox="885 1756 1024 1800"> <thead> <tr> <th>S</th> <th>R</th> <th>M</th> </tr> </thead> <tbody> <tr> <td>1/2"</td> <td>3/4"</td> <td>3/4"</td> </tr> </tbody> </table>	A	C	100 mm	60 mm	1/2"	3/4"	S	R	M	1/2"	3/4"	3/4"
A	C												
100 mm	60 mm												
1/2"	3/4"												
S	R	M											
1/2"	3/4"	3/4"											
 <p>Kit containing tank with front loading, total capacity approx. 51 kg</p>													
 <p>Kit containing tank with right-hand or left-hand loading to be positioned on the chimney, total capacity approx. 61 kg</p>	 <table border="1" data-bbox="885 2049 1024 2121"> <thead> <tr> <th>A</th> <th>C</th> </tr> </thead> <tbody> <tr> <td>100 mm</td> <td>60 mm</td> </tr> <tr> <td>1/2"</td> <td>3/4"</td> </tr> </tbody> </table> <table border="1" data-bbox="885 2076 1024 2121"> <thead> <tr> <th>S</th> <th>R</th> <th>M</th> </tr> </thead> <tbody> <tr> <td>1/2"</td> <td>3/4"</td> <td>3/4"</td> </tr> </tbody> </table>	A	C	100 mm	60 mm	1/2"	3/4"	S	R	M	1/2"	3/4"	3/4"
A	C												
100 mm	60 mm												
1/2"	3/4"												
S	R	M											
1/2"	3/4"	3/4"											


PELLET-BURNING VENTILATED THERMO INSERTS

Accessories on request


REMOTE MANAGEMENT

ITEM	INTERNAL COMPATIBLE	CODE	EURO
 <p>Wi-Fi module for management with the Superior App (in order to install it, you need to have the pellet tray or additional pellet hopper)</p>	SCP 14 TH	N08013023C	350,00


COMPENSATION KIT AND CLOSING FRAMES

ITEM	INTERNAL COMPATIBLE	CODE	EURO
 <p>Closing frame kit (perforated metal profile) compatible with pellet-loading tray</p>	SCP 14 TH	P08060710C	135,00
<p>Closing frame kit (perforated metal profile) not compatible with pellet-loading tray</p>	SCP 14 TH	P08016550C	135,00

FEET KIT

ITEM	INTERNAL COMPATIBLE	CODE	EURO
 <p>Fixed rise kit: W 72 x D 45 x H 38 cm</p>	SCP 14 TH	N08019002C	205,00

COMBUSTION AIR KIT

ITEM	INTERNAL COMPATIBLE	CODE	EURO
 <p>Combustion air kit</p>	SCP 14 TH	N08010018C	145,00
 <p>Ø 6 cm flex pipe for external combustion air kit connection</p>	SCP 14 TH	N08011017	19,00 per linear metre

EDGE PROFILES

ITEM	INTERNAL COMPATIBLE	CODE	EURO
 <p>Edge profile</p>	SCP 14 TH	N08014008C	370,00
<p>Edge profile (Front tray kit for pellet loading, compatible)</p>	SCP 14 TH	N08014009C	370,00

PELLET BOILERS

Data charts	64
CPS 20	65
ADDITIONAL HOPPER	66
PNEUMATIC PELLET-LOADING SYSTEM	67
Accessories	68

Pellet boilers

Data charts



Technical data	Units	CPS 20
Model		CPS 20
Type		SP282-02
Energy efficiency class		A+
Heat output to water (min - max)	kW	5,8 - 19,6
Thermal efficiency (min - max)	%	88,9 - 91,1
Consumption (min - max)	kg/h	1,3 - 4,4
Nominal voltage	V-Hz	230 - 50
Standard flue outlet Ø	mm	100
Hopper capacity	kg	58
Boiler capacity	l	22
Sanitary hot water production with $\Delta T = 30\text{ }^{\circ}\text{C}$	l/min	-
Maximum operating pressure	bar	1,5
3 bar relief valve	Ø	1/2"
System delivery	Ø	3/4"
System return	Ø	3/4"
System filling	Ø	1/2"
Weight ^[2]	kg	205
Dimensions W x D x H	mm	560 x 640 x 1400
Heating		hot water production
Stove		steel
Boiler		steel
Firebox		steel
Brazier		steel
Conveyor		steel
Heat exchanger cleaning system		rotating scrapers
Expansion tank		standard
Sanitary Hot Water		-
Standard circulator		high efficiency
Safety valve and relief valve		standard
Reversible external door		steel, insulated
Standard flue outlet position		LH rear
Optional flue outlet		LH side
Function control		function control with LCD
Power levels		16 automatic power levels based on set water temperature
Programmable timer-thermostat		6 daily time frames
Brazier cleaning intervals		yes
Pellet level sensor		yes with warning message on the display
Double pressure switch		standard
Electronically controlled combustion air		with motorised valve
Energy Saving		yes
Eco Function		yes
Anti-freeze Function		yes
Summer/Winter function		yes
Electronically-controlled anti-condensation valve		optional
Probe for managing storage tank		standard
Probe for managing SHW storage tank		standard
Can be connected to an external thermostat		yes
Aux control		yes
Ash vacuum cleaner		standard
Flue gas chamber ash pan		removable
Auxiliary hopper		optional
Display with timer-thermostat and cable remote controls		optional
Combustion air kit		optional
Superior App for Wi-Fi management		optional
Page		65

[1] Please refer to the instruction manual for details regarding the type of installation.

[2] Dry weight.

Data obtained under laboratory conditions using pellets with heat production rated at greater than or equal to 4.9 kWh/kg. Consumption varies according to the dimensions and type of pellets used.

PELLET BOILERS

CPS 20



Data chart on page 64.

	CODE	EURO
CPS 20 PELLET BOILER	S70200000C	5.045,00
ACCESSORIES ON REQUEST		
Additional hopper kit inclusive of auger	S08030780C	2.540,00
Side left-hand flue kit	P08060830C	80,00
Display with thermostat timer for remote control	N08013008C	195,00
Wi-Fi module for control with Superior App	N08013013C	305,00
Combustion air kit	N08010028C	65,00
Flexible pipe Ø 6 cm for combustion air	N08011017	19,00
		per linear metre
Accessories for connecting and managing the water supply system	See section from page 70	
Accessories - Certified pipes and bends for connecting the flue	See section from page 68	

CHARACTERISTICS



OPTIONALS



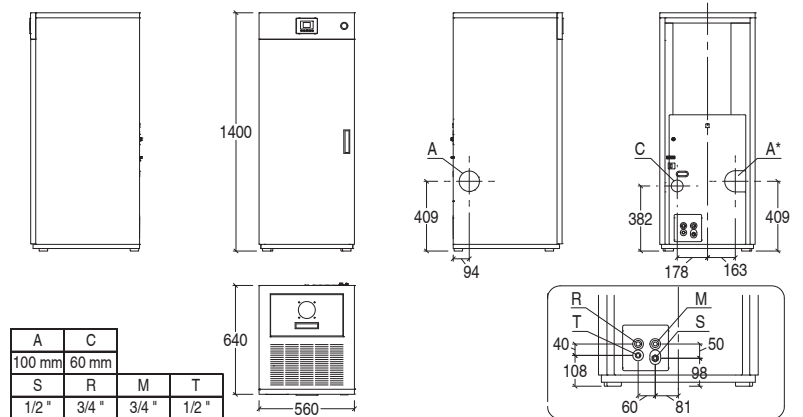
GENERAL CHARACTERISTICS

- Heating: hot water production
- Stove: steel
- Boiler: steel
- Firebox: steel
- Brazier: steel
- Conveyor: steel
- Cleaning the exchanger: rotating scrapers
- Expansion tank: standard
- Standard circulator: high efficiency
- Safety valve and relief valve: standard
- Reversible external door: steel, insulated
- Standard flue outlet position: rear left
- Optional flue outlet: left side
- Function control: with LCD
- Power adjustment: 16 automatic power levels based on water temperature set
- Programmable timer-thermostat: 6 daily time period settings
- Regular brazier cleaning: yes
- Pellet level sensor: yes, with display notification
- Double pressure switch: standard
- Electronically controlled combustion air: with motorised valve
- Energy saving: yes
- Eco function: yes
- Anti-freeze function: yes
- Summer/Winter function: yes
- Probe for managing storage tank: standard
- Probe for managing DHW storage tank: standard
- Connectable to an external thermostat: yes
- Aux control: yes
- Flue gas chamber ash pan: removable
- Electronically controlled anti-condensation valve: optional
- Ash vacuum cleaner: standard
- Auxiliary hopper: optional
- Display with timer-thermostat and cable remote controls: optional
- Combustion air kit: optional
- Superior App for Wi-Fi management: optional

TECHNICAL DATA

• Model		CPS 20
• Type		SP282-02
• Energy efficiency class		A+
• Heat output to water (min - max)	kW	5,8 - 19,6
• Thermal efficiency (min - max)	%	88,9 - 91,1
• Consumption (min - max)	kg/h	1,3 - 4,4
• Nominal voltage	V-Hz	230 - 50
• Standard flue outlet Ø	mm	100
• Hopper capacity	kg	58
• Boiler capacity	l	22
• Maximum operating pressure	bar	1,5
• 3 bar relief valve	Ø	1/2"
• System delivery	Ø	3/4"
• System return	Ø	3/4"
• System filling	Ø	1/2"
• Weight [2]	kg	205
• Dimensions W x D x H	mm	560 x 640 x 1400

[2] Dry weight.



A Flue outlet; **C** Combustion air inlet; **S** Safety valve discharge;
R System return; **M** System delivery; **T** System filling.
 All drawing dimensions in mm.

ADDITIONAL HOPPER



	CODE	EURO
Additional hopper for pellet boilers	S08030780C	2.540,00
ACCESSORIES ON REQUEST	CODE	EURO
Kit with casters for hopper	P08060870C	245,00

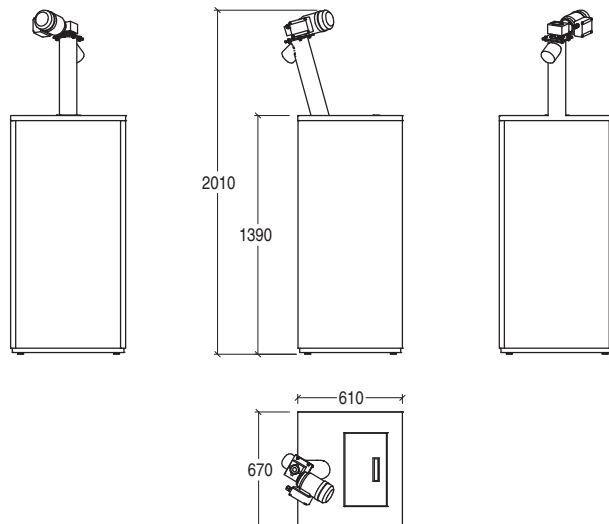
GENERAL CHARACTERISTICS

• Structure	steel
• Reversible ^[4]	yes
• Pellet level sensor	standard
• Automatic loading system	standard
• Auger	standard
• Motor	standard
• Accessories for installation	standard
• Casters for shifting	optional
• Levelling feet	standard

[4] If the optional discharge kit is installed, the hopper can only be installed on the right-hand side of the boiler.

TECHNICAL DATA

• Box dimensions L x D x H	mm	670 x 610 x 2010
• Capacity	kg	190
• Supply pipe dimensions Ø	mm	90
• Nominal voltage	V	220
• Absorbed power	W	250



All drawing dimensions in mm.

PELLET BOILERS

PNEUMATIC PELLET-LOADING SYSTEM



	CODE	EURO
Pneumatic pellet loading system ^[1]	P08061400C	3.400,00

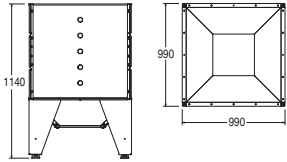
[1] System for fully loading storage warehouse, dispenser measuring device, extraction unit and suction unit.

ACCESSORIES ON REQUEST	CODE	EURO
MIDI elevation unit H=20	P08060880C	210,00
MIDI elevation unit H=30	P08060890C	225,00
MIDI elevation unit H=60	P08060900C	305,00
Cover	P08060910C	160,00
Filtering system	P08060920C	290,00

Pneumatic pellet-loading system

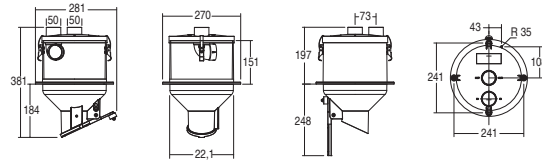
STORAGE WAREHOUSE

- Capacity l 660
- Capacity kg 460
- Max. load kg 1400
- Weight kg 50,7



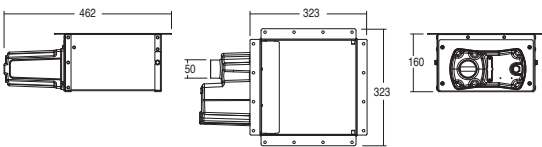
DISPENSER MEASURING DEVICE

- Capacity l 5,2
- Protection rating IP 44
- Weight kg 1,65



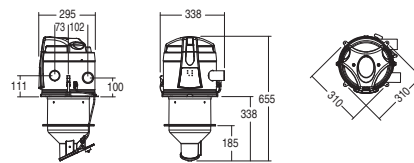
EXTRACTION UNIT

- Power supply V 230
- Frequency Hz 50
- Protection rating IP 40
- Power W 15
- Consumption A 0,14
- No. revs rpm 12
- Nominal torque Nm 5



SUCTION UNIT

- Fuel loading Ø mm 50
- Air outlet Ø mm 50
- Protection rating IP 20
- Power supply V ac 230
- Frequency Hz 50/60
- Motor power kW 1,35
- Consumption A 5,6
- Max. air flow m³/h 216
- Mesh filter for inspection - yes
- MAX measuring device capacity l 5,2
- Air outlet silencer - yes
- Weight kg 8,40
- Noise level dB(A) < 70



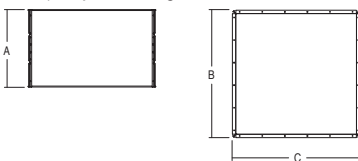
FLEXIBLE TUBE

- Length m 20
- Diameter mm 50

Accessories on request

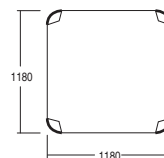
ELEVATION UNIT

- | Models | Model 600 | Model 300 | Model 200 |
|-------------|-----------|-----------|-----------|
| Height A mm | 600 | 300 | 200 |
| Depth B mm | 990 | 990 | 990 |
| Length C mm | 990 | 990 | 990 |
| Weight Kg | 21 | 11,4 | 8,2 |
| Capacity l | 540 | 270 | 180 |
| Capacity Kg | 380 | 190 | 125 |

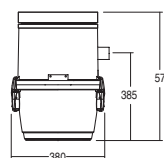


FABRIC COVER

- Weight Kg 1,8





FILTERING SYSTEM



PELLET BOILERS

Accessories - Certified pipes and bends for connecting the flue

REMOTE MANAGEMENT


ITEM	COMPATIBLE MODELS	CODE	EURO
 <p>Display with thermostat timer for remote control</p>	All models	N08013008C	195,00
 <p>Wi-Fi module for control through Superior App inclusive of serial cable and power supply [1]</p>	All models	N08013013C	305,00

[1] Compatible with all models produced or updated starting from 2013.


COMBUSTION AIR KIT AND ACCESSORIES

ITEM	COMPATIBLE MODELS	CODE	EURO
 <p>Combustion air kit</p>	CPS 20	N08010028C	65,00
 <p>Flexible pipe Ø 6 cm for combustion air</p>	All models	N08011017	19,00 per linear metre

OPTIONAL FLUE OUTLET KIT

ITEM	COMPATIBLE MODELS	CODE	EURO
 <p>Side left-hand flue kit</p>	All models	P08060830C	80,00

CLEANING AND MAINTENANCE ACCESSORIES









ITEM	COMPATIBLE MODELS	CODE	EURO
 <p>Cleaning rod</p>	All models	P08061290C	45,00

PELLET BOILERS

Accessories - Certified pipes and bends for connecting the flue

PIPES - BENDS - CONNECTORS FOR PELLET BOILERS


Aluminium coated steel connecting flue pipes single wall, 2 mm thick, V2 corrosion resistance class, EN 1856-2 compliant

	ITEM	DIMENSIONS IN CM	Ø MM	COMPATIBLE MODELS	CODE	EURO
	Pipe with inspection	L 25	100	All models	P08025980	44,00
	Pipe	L 25	100	All models	P08025920	39,00
		L 50	100	All models	P08025930	70,00
		L 100	100	All models	P08025940	96,00
	Bend 90° with inspection	L 18 x H 18	100	All models	P08025990	96,00
	Bend 90°	L 18 x H 18	100	All models	P08025950	89,00
	Bend 45°	L 12 x H 12	100	All models	P08025960	64,00
	T-fitting w/inspection port	L 20 x H 16	100	All models	P08025970	96,00
	Flue ring	-	100	All models	P08025480	44,00
	Wall connector	-	100	All models	P08025560	39,00


Thermo Stoves - TH INSERTS - BOILERS

Accessories for connecting and managing the water supply system


PLATE SEPARATOR KIT - WITH 1 CIRCULATOR

ITEM	COMPATIBLE MODELS	CODE	EURO
 <p>Multifunctional hydraulic separator installable on the wall for dividing the flow rates and heads between the circuits. Inclusive of deaerator for separating and evacuating the air in the system, system safety valve and shut-off valves.</p>	All models	P08061000C	765,00
<ul style="list-style-type: none"> Box dimensions L x D x H cm 45 x 16 x 50 Maximum operating temperature °C 95 Circuit maximum operating pressure bar 3 Secondary circuit circulator mwc 6,5 Connections Ø 3/4" M Plate heat exchanger power output kW 35 Nominal voltage V 230 Absorbed power W 60 Circulator 1 Plate heat exchanger yes 			


HYDRAULIC SEPARATOR

ITEM	COMPATIBLE MODELS	CODE	EURO
 <p>Multifunctional hydraulic separator for dividing the flow rates and heads between the circuits. Inclusive of deaerator for separating and evacuating the air present in the circuit, sludge remover for eliminating impurities in the lower zone of the body and magnetic cartridge for blocking ferromagnetic impurities. Equipped with a manual relief valve and drain tap.</p>	All models	P08061050C	615,00
<ul style="list-style-type: none"> Dimensions W x H cm 22,6 x 52,5 Plumbing connections Ø 1" with F fittings Threaded body Painted steel Air relief valve body Brass Insulation mm 12 Maximum operating pressure bar 10 Fluid temperature range °C 0-110 Maximum glycol percentage % 30 			

3-WAY SWITCH VALVE

ITEM	COMPATIBLE MODELS	CODE	EURO
 <p>Electronically controlled 3-way switch/mixing valve, for combined control of the heating system and of the SHW boiler. Connectable to the electronic board through the multi-pole connector. Removable head for quick and easy maintenance. Manual operation for system emptying and filling, or lack of power supply.</p>	All models	P08061010C	135,00
<ul style="list-style-type: none"> Valve body Brass Return springs / Shutter shaft Steel / Stainless steel Opening temperature settable values yes Maximum nominal pressure PN10 Activation Electric - manual Plumbing connections Ø 3/4 " M Nominal voltage V 220 - 240 Nominal frequency Hz 50 Absorbed power W 4 			


THERMOSTATIC MIXING VALVE FOR DHW

ITEM	COMPATIBLE MODELS	CODE	EURO
 <p>Thermostatic mixing valve inclusive of fittings for DHW control. Keeps the temperature of the mixed water constant. Anti-scald system for blocking the flow of hot water in the absence of cold water.</p>	All DHW boiler models and combined puffers	P08061040C	90,00
<ul style="list-style-type: none"> Dimensions W x D x H cm 14,1 x 4,1 x 14,7 Plumbing connections Ø 3/4" with M fittings Valve body Brass Shutter Brass Springs Stainless steel Activation Manual Adjustment range °C 30 - 60 Maximum operating pressure bar 5 Kvs m3/h 1,60 Max. inlet temperature °C 120 			


Thermo Stoves - TH INSERTS - BOILERS

Accessories for connecting and managing the water supply system



ELECTRONICALLY-CONTROLLED ANTI-CONDENSATION VALVE

ITEM	COMPATIBLE MODELS	CODE	EURO
 <p>Electronically controlled anti-condensation valve. Connectable to the electronic board through the multi-pole connector.</p>	GPS 20	N08019013C	235,00
<ul style="list-style-type: none"> Valve body Return springs / Shutter shaft Opening temperature settable values Maximum nominal pressure Activation Hydraulic connections / Quick-connect fitting Nominal voltage Nominal frequency Absorbed power 	<ul style="list-style-type: none"> Brass Steel / Stainless steel Electronically controlled with pre-set parameters PN10 Electric Ø 1" - 3/4" / 18 mm V 230 Hz 50 W 1,8 		

ANTI-CONDENSATION VALVE 45 °C


ITEM	COMPATIBLE MODELS	CODE	EURO
 <p>45°C anti-condensation valve for installation on the system return circuit.</p>	All models	P08061020C	120,00
<ul style="list-style-type: none"> Dimensions W x D x H Plumbing connections Valve body Cartridge Sensing bulb opening temperature Complete hysteresis by-pass closing Fluid temperature range Maximum nominal pressure 	<ul style="list-style-type: none"> cm 8,8 x 6,4 x 6,8 Ø 1" F Brass Die-cast aluminium °C 45 °C 10 °C 5-110 bar 10 		

CONNECTION TO HYDRAULIC CIRCUIT

ITEM	COMPATIBLE MODELS	CODE	EURO
 <p>Kit for connection to the hydraulic system comprising manometer, ball valves and fittings [1]</p>	TANYA TH Stove	N08019012C	180,00
 <p>Kit for connection to the hydraulic system comprising ball valves and fittings</p>	GPS 20	N08019014C	65,00

[1] If the hydraulic connection kit is installed, a 1" fitting is used instead of a 3/4" fitting for connection to the system.


PUFFER, VERSION 300

ITEM	COMPATIBLE MODELS	CODE	EURO
 <p>Technical puffer with carbon steel exchanger. 5 cm-thick rigid expanded polyurethane insulation.</p>	TH stoves < 15kW	P08061310C	940,00
<ul style="list-style-type: none"> Dimensions W x H Weight Net volume of technical water Technical water storage tank temperature Technical water storage tank max. pressure 	<ul style="list-style-type: none"> cm Ø 65 x 134 kg 65 lt 279 °C 99 bar 3 		


Thermo Stoves - TH INSERTS - BOILERS

Accessories for connecting and managing the water supply system


VERSION 500 PUFFER WITH DOUBLE HEAT EXCHANGER

ITEM	COMPATIBLE MODELS	CODE	EURO
 <p>Technical puffer with double carbon steel exchanger. Double serpentine exchanger. 5 cm-thick rigid expanded polyurethane insulation.</p>	All models	P08061080C	1.785,00
<ul style="list-style-type: none"> • Dimensions W x H cm Ø 75 x 162 • Weight kg 180 • Net volume lt 478 • Upper / lower heat exchanger surface m² 1,3 / 1,9 • Storage tank max. pressure bar 3 • Storage tank max. temperature °C 99 • Heat exchanger max. pressure bar 12 • Technical water storage tank temperature °C 110 			

VERSION 600 PUFFER WITH DOUBLE HEAT EXCHANGER

ITEM	COMPATIBLE MODELS	CODE	EURO
 <p>Technical puffer with double carbon steel exchanger. Double serpentine exchanger. 5 cm-thick rigid expanded polyurethane insulation.</p>	All models	P08061320C	2.005,00
<ul style="list-style-type: none"> • Dimensions W x H cm Ø 75 x 187 • Weight kg 150 • Net volume of technical water lt 560 • Upper / lower heat exchanger surface m² 1,3 / 2,1 • Heat exchangers max. pressure bar 12 • Heat exchanger max. temperature °C 110 • Technical water storage tank max. pressure bar 3 • Technical water storage tank temperature °C 99 			


VERSION 800 PUFFER WITH DOUBLE EXCHANGER

ITEM	COMPATIBLE MODELS	CODE	EURO
 <p>Technical puffer with double carbon steel exchanger. Double serpentine exchanger. 5 cm-thick rigid expanded polyurethane insulation.</p>	All models	P08061330C	2.475,00
<ul style="list-style-type: none"> • Dimensions W x H cm Ø 94 x 184 • Weight kg 170 • Net volume of technical water lt 805 • Upper / lower heat exchanger surface m² 1,8 / 2,5 • Heat exchangers max. pressure bar 12 • Heat exchanger max. temperature °C 110 • Technical water storage tank max. pressure bar 3 • Technical water storage tank temperature °C 99 			


Thermo Stoves - TH INSERTS - BOILERS

Accessories for connecting and managing the water supply system


VERSION 1000 PUFFER WITH DOUBLE HEAT EXCHANGER

ITEM	COMPATIBLE MODELS	CODE	EURO
 <p>Technical puffer with double carbon steel exchanger. Double serpentine exchanger. 5 cm-thick rigid expanded polyurethane insulation.</p>	All models	P08061090C	2.550,00
<ul style="list-style-type: none"> • Dimensions W x H • Weight • Net volume • Upper / lower heat exchanger surface • Storage tank max. pressure • Storage tank max. temperature • Heat exchanger max. pressure • Heat exchanger max. temperature 	<ul style="list-style-type: none"> cm kg lt m² bar °C bar °C 	<ul style="list-style-type: none"> Ø 99 x 213 220 946 2,5 / 3,1 3 99 12 110 	

VERSION 600 TANK-IN-TANK PUFFER

ITEM	COMPATIBLE MODELS	CODE	EURO
 <p>Technical puffer and integrated puffer for DHW. Double serpentine exchanger. Standard magnesium anode. 5 cm-thick rigid expanded polyurethane insulation.</p>	All models	P08061100C	2.490,00
<ul style="list-style-type: none"> • Dimensions W x H • Weight • Net volume of technical water • Net volume of domestic hot water • Upper / lower heat exchanger surface • Upper / lower heat exchanger volume • Heat exchangers max. pressure • Technical water storage tank temperature • Technical water storage tank max. pressure • Technical water storage tank temperature • SHW storage tank max. pressure • SHW storage tank max. temperature • Heat exchanger max. temperature 	<ul style="list-style-type: none"> cm kg lt lt m² lt bar °C bar °C bar °C °C 	<ul style="list-style-type: none"> Ø 75 x 192 180 375 146 1,9 / 2,8 12 / 20 12 110 3 99 6 95 110 	

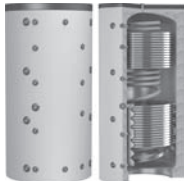
VERSION 1000 TANK-IN-TANK PUFFER

ITEM	COMPATIBLE MODELS	CODE	EURO
 <p>Technical puffer and integrated puffer for DHW. Double serpentine exchanger. Standard magnesium anode. 5 cm-thick rigid expanded polyurethane insulation.</p>	All models	P08061110C	3.635,00
<ul style="list-style-type: none"> • Dimensions W x H • Weight • Net volume of technical water • Net volume of domestic hot water • Upper / lower heat exchanger surface • Upper / lower heat exchanger volume • Heat exchangers max. pressure • Technical water storage tank temperature • Technical water storage tank max. pressure • Technical water storage tank temperature • SHW storage tank max. pressure • SHW storage tank max. temperature • Heat exchanger max. temperature 	<ul style="list-style-type: none"> cm kg lt lt m² lt bar °C bar °C bar °C °C 	<ul style="list-style-type: none"> Ø 95 x 218 270 661 226 3,1 / 3,7 20 / 24 12 110 3 99 6 95 110 	

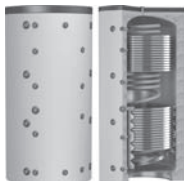
Thermo Stoves - TH INSERTS - BOILERS

Accessories for connecting and managing the water supply system

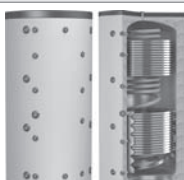
VERSION 600 PUFFER PIPE IN TANK

ITEM	COMPATIBLE MODELS	CODE	EURO
 <p>Technical puffer and integrated stainless steel puffer for DHW. Double serpentine exchanger. 5 cm-thick rigid expanded polyurethane insulation.</p>	All models	P08061340C	3.215,00
<ul style="list-style-type: none"> • Dimensions W x H cm Ø 75 x 187 • Weight kg 155 • Net volume of technical water lt 500 • Upper / lower heat exchanger surface m² 1,3 / 2,1 • Upper / lower heat exchanger volume lt 8 / 13 • Heat exchangers max. pressure bar 12 • Heat exchanger max. temperature °C 110 • Technical water storage tank max. pressure bar 3 • Technical water storage tank temperature °C 99 • DHW exchanger surface m² 5,3 • DHW exchanger volume lt 31 			

VERSION 800 PUFFER PIPE IN TANK

ITEM	COMPATIBLE MODELS	CODE	EURO
 <p>Technical puffer and integrated stainless steel puffer for DHW. Double serpentine exchanger. 5 cm-thick rigid expanded polyurethane insulation.</p>	All models	P08061350C	4.160,00
<ul style="list-style-type: none"> • Dimensions W x H cm Ø 95 x 184 • Weight kg 205 • Net volume of technical water lt 738 • Upper / lower heat exchanger surface m² 1,8 / 2,5 • Upper / lower heat exchanger volume lt 11,8 / 16,3 • Heat exchangers max. pressure bar 12 • Heat exchanger max. temperature °C 110 • Technical water storage tank max. pressure bar 3 • Technical water storage tank temperature °C 99 • DHW exchanger surface m² 5,8 • DHW exchanger volume lt 33,4 			

VERSION 1000 PUFFER PIPE IN TANK

ITEM	COMPATIBLE MODELS	CODE	EURO
 <p>Technical puffer and integrated stainless steel puffer for DHW. Double serpentine exchanger. 5 cm-thick rigid expanded polyurethane insulation.</p>	All models	P08061360C	4.690,00
<ul style="list-style-type: none"> • Dimensions W x H cm Ø 95 x 213 • Weight kg 238 • Net volume of technical water lt 855 • Upper / lower heat exchanger surface m² 2,5 / 3,1 • Upper / lower heat exchanger volume lt 16,3 / 20,7 • Heat exchangers max. pressure bar 12 • Heat exchanger max. temperature °C 110 • Technical water storage tank max. pressure bar 3 • Technical water storage tank temperature °C 99 • DHW exchanger surface m² 7,8 • DHW exchanger volume lt 45,5 			

PELLET BOILERS

Data charts	78
MALIKA WITH OVEN	80
MANILA	81
MIRTA	82
SAMUELA	83
SAVINA WITH OVEN	84
SIBILLA	85
SUSANNA	86
Accessories	87

Wood-burning stoves

Data charts



Technical data	Units	MALIKA WITH OVEN	MANILA
Forced ventilation		-	-
Ductable		-	-
Natural convection		yes	yes
Hermetic		-	-
Oven		yes	-
Model		MALIKA	MANILA
Type		SL380-01	SL370-02
Energy efficiency class		A	A+
Dimensions W x D x H	mm	500 x 430 x 1345	455 x 410 x 1050
Nominal heat output	kW	6,2	6,0
Nominal thermal efficiency	%	80,0	84,5
Consumption	kg/h	1,8	1,73
PP (13%O ₂)	mg/m ³	-	-
Standard flue outlet Ø	mm	120	150
Stainless steel oven W x D x H	mm	260 x 250 x 315	-
Weight	kg	147	120
Room heating capacity *	m ³	105 - 180	100 - 175
Cladding		painted steel	painted steel
Bench in majolica		-	-
Top		cast iron	painted steel
Stove		steel	steel
Firebox		cast iron	cast iron
Upper baffle plate		cast iron	steel - Skamolex
Brazier		cast iron	cast iron
Removable ash drawer		yes	yes
Door		cast iron with automatic closure	cast iron with automatic closure
Door handle		steel with nickel-plated finish	steel with nickel-plated finish
Standard flue outlet position		top	top
Ceramic glass		resistant up to 750°C	resistant up to 750°C
Glass cleaning system		continuous air flow	continuous air flow
Primary and secondary air		adjustable	adjustable
Installation **		wall - corner	wall - corner
Page		80	81

* Calculated on the basis of nominal heat output, referring to rooms with a heating requirement between 0.060 and 0.035 kW per m³. We recommend always contacting a heating engineer for the final calculations.

** Please refer to the instruction manual for details regarding the type of installation.

Wood-burning stoves

Data charts



MIRTA	SAMUELA	SAVINA WITH OVEN	SIBILLA	SUSANNA
-	-	-	-	-
-	-	-	-	-
yes	yes	yes	yes	yes
-	-	-	-	-
-	yes	yes	-	yes
MIRTA	SAMUELA	SAVINA	SIBILLA	SUSANNA
SL370-02	SL390-01	S55F	S55	SL390-01
A+	A+	A	A	A+
500 x 426 x 916	536 x 495 x 1150	600 x 510 x 1445	600 x 510 x 1020	600 x 506 x 1016
6,0	8,5	8,0	8,0	8,5
84,5	83,3	80,3	78,2	83,3
1,73	2,49	2,4	2,5	2,49
-	-	-	-	-
150	150	150	150	150
-	-	320 x 350 x 315	-	-
110	172	218	167	188
100 - 175	145 - 245	135 - 230	135 - 230	145 - 245
painted steel	painted steel	painted steel	painted steel	painted steel
-	-	-	-	-
cast iron	painted steel	cast iron	cast iron	cast iron
steel	steel	steel	steel	steel
cast iron	cast iron	cast iron	cast iron	cast iron
steel - Skamolex	steel - Skamolex	cast iron	cast iron	steel - Skamolex
cast iron	cast iron	cast iron	cast iron	cast iron
yes	yes	yes	yes	yes
cast iron with automatic closure	cast iron with automatic closure	cast iron with automatic closure	cast iron with automatic closure	cast iron with automatic closure
steel with nickel-plated finish	steel with nickel-plated finish	steel with nickel-plated finish	steel with nickel-plated finish	steel with nickel-plated finish
top	top	top	top	top
resistant up to 750°C	resistant up to 750°C	resistant up to 750°C	resistant up to 750°C	resistant up to 750°C
continuous air flow	continuous air flow	continuous air flow	continuous air flow	continuous air flow
adjustable	adjustable	adjustable	adjustable	adjustable
wall - corner	wall - corner	wall - corner	wall - corner	wall - corner
82	83	84	85	86

WOOD-BURNING STOVES

MALIKA WITH OVEN



GENERAL CHARACTERISTICS

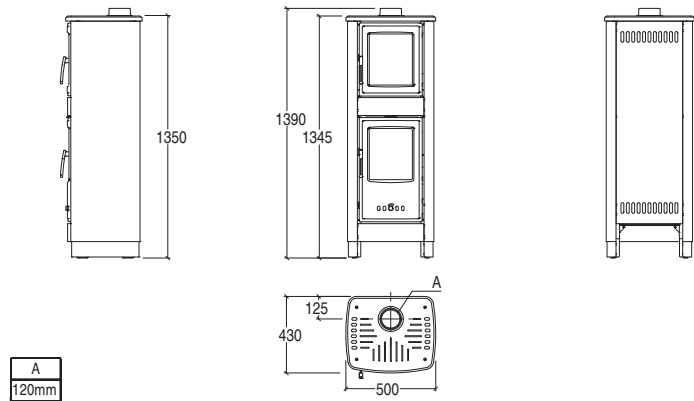
- | | |
|--|--|
| <ul style="list-style-type: none"> • Heating • Cladding • Top • Stove • Firebox • Upper baffle plate • Brazier • Door • Door handle • Ceramic glass • Removable ash drawer • Standard flue outlet position • Glass cleaning system • Primary and secondary air • Installation | <ul style="list-style-type: none"> • natural convection • painted steel • cast iron • steel • cast iron • cast iron • cast iron • cast iron with automatic closure • steel with nickel-plated finish • resistant up to 750°C • yes • top • continuous air flow • adjustable • wall - corner |
|--|--|

TECHNICAL DATA

- | | |
|---|---|
| <ul style="list-style-type: none"> • Model • Type • Energy efficiency class • Room heating capacity • Nominal heat output • Nominal thermal efficiency • Consumption • Standard flue outlet Ø • Dimensions W x D x H • Stainless steel oven W x D x H • Stove weight | <p>MALIKA
SL380-01
A</p> <p>m³ 105 - 180
kW 6,2
% 80,0
kg/h 1,8
mm 120
mm 500 x 430 x 1345
mm 260 x 250 x 315
kg 147</p> |
|---|---|



		TOTAL PRICE	
Total price including stove and painted steel cladding		1.900,00	
MODEL/COLOUR	CODE	EURO	
Firebox with cladding	BIANCO	S07021010C	1.900,00
	BORDEAUX	S07021020C	1.900,00
	GRIGIO	S07021030C	1.900,00
ACCESSORIES ON REQUEST	CODE	EURO	
Anti-condensation fitting	S08030660C	70,00	
Fitting ø 120/140 for inserting pipes Ø 140	S08030730C	35,00	
Fitting ø 120/140 for inserting anti-condensation pipes Ø 140	S08030670C	78,00	
Rectangular steel floor plate	P08024300C	325,00	
Round edged steel floor plate	P08024310C	325,00	



All drawing dimensions in mm.

WOOD-BURNING STOVES

MANILA



GENERAL CHARACTERISTICS

- Heating
 - Cladding
 - Top
 - Stove
 - Firebox
 - Upper baffle plate
 - Brazier
 - Door
 - Door handle
 - Ceramic glass
 - Removable ash drawer
 - Standard flue outlet position
 - Glass cleaning system
 - Primary and secondary air
 - Installation
- natural convection
 painted steel
 painted steel
 steel
 cast iron
 steel - Skamolex
 cast iron
 cast iron with automatic closure
 steel with nickel-plated finish
 resistant up to 750°C
 yes
 top
 continuous air flow
 adjustable
 wall - corner

TECHNICAL DATA

- Model
 - Type
 - Energy efficiency class
 - Room heating capacity
 - Nominal heat output
 - Nominal thermal efficiency
 - Consumption
 - Standard flue outlet Ø
 - Size of wood pieces
 - Firebox opening W x H
 - Dimensions W x D x H
 - Weight
- MANILA
 SL370-02
 A+
 m³ 100 - 175
 kW 6,0
 % 84,5
 kg/h 1,73
 mm 150
 mm 25 - 30
 mm 27 x 25
 mm 455 x 410 x 1050
 kg 120

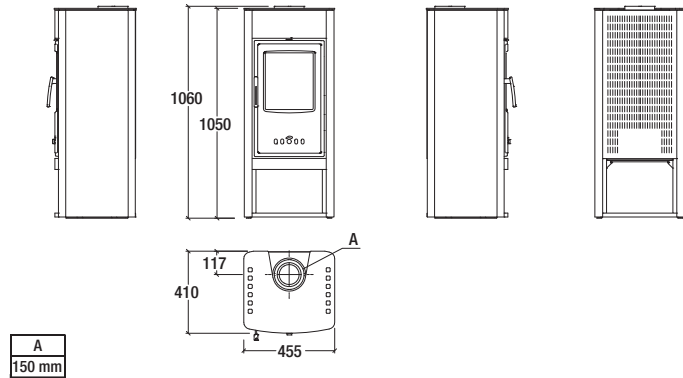


TOTAL PRICE

Total price including stove and painted steel cladding **1.615,00**

	MODEL/COLOUR	CODE	EURO
Firebox with cladding	BIANCO	S07035010C	1.615,00
	BORDEAUX	S07035020C	1.615,00
	NERO	S07035030C	1.615,00

	ACCESSORIES ON REQUEST	CODE	EURO
	Rectangular steel floor plate	P08024300C	325,00
	Round edged steel floor plate	P08024310C	325,00



All drawing dimensions in mm.

WOOD-BURNING STOVES

MIRTA



GENERAL CHARACTERISTICS

- Heating
 - Cladding
 - Top
 - Stove
 - Firebox
 - Upper baffle plate
 - Brazier
 - Door
 - Door handle
 - Ceramic glass
 - Removable ash drawer
 - Standard flue outlet position
 - Glass cleaning system
 - Primary and secondary air
 - Installation
- natural convection
 painted steel
 cast iron
 steel
 cast iron
 steel - Skamolex
 cast iron
 cast iron with automatic closure
 steel with nickel-plated finish
 resistant up to 750°C
 yes
 top
 continuous air flow
 adjustable
 wall - corner

TECHNICAL DATA

- Model
 - Type
 - Energy efficiency class
 - Room heating capacity
 - Nominal heat output
 - Nominal thermal efficiency
 - Consumption
 - Standard flue outlet Ø
 - Size of wood pieces
 - Firebox opening W x H
 - Dimensions W x D x H
 - Weight
- MIRTA
 SL370-02
 A+
 m³ 100 - 175
 kW 6,0
 % 84,5
 kg/h 1,73
 mm 150
 mm 25 - 28,5
 mm 27 x 29
 mm 500 x 426 x 916
 kg 110

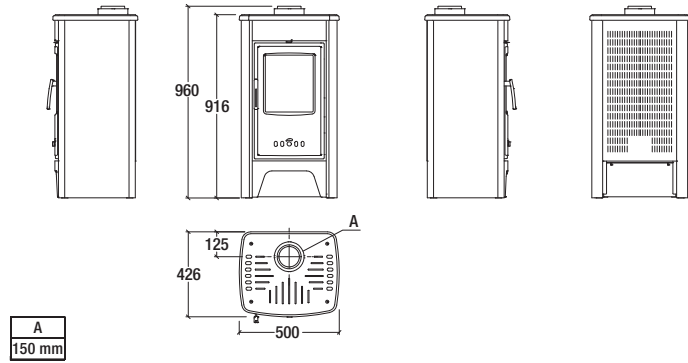


TOTAL PRICE

Total price including stove and painted steel cladding **1.515,00**

	MODEL/COLOUR	CODE	EURO
Firebox with cladding	BIANCO	S07033010C	1.515,00
	BORDEAUX	S07033020C	1.515,00
	NERO	S07033030C	1.515,00

	ACCESSORIES ON REQUEST	CODE	EURO
	Rectangular steel floor plate	P08024300C	325,00
	Round edged steel floor plate	P08024310C	325,00



All drawing dimensions in mm.

WOOD-BURNING STOVES

SAMUELA



GENERAL CHARACTERISTICS

- Heating
- Cladding
- Top
- Stove
- Firebox
- Upper baffle plate
- Brazier
- Door
- Door handle
- Ceramic glass
- Removable ash drawer
- Standard flue outlet position
- Glass cleaning system
- Primary and secondary air
- Installation

natural convection
 painted steel
 painted steel
 steel
 cast iron
 steel - Skamolex
 cast iron
 cast iron with automatic closure
 steel with nickel-plated finish
 resistant up to 750°C
 yes
 top
 continuous air flow
 adjustable
 wall - corner

TECHNICAL DATA

- Model SAMUELA
- Type SL390-01
- Energy efficiency class A+
- Room heating capacity m³ 145 - 245
- Nominal heat output kW 8,5
- Nominal thermal efficiency % 83,3
- Consumption kg/h 2,49
- Standard flue outlet Ø mm 150
- Size of wood pieces mm 33 - 38
- Firebox opening W x H mm 35 x 35
- Dimensions W x D x H mm 536 x 495 x 1150
- Weight kg 172

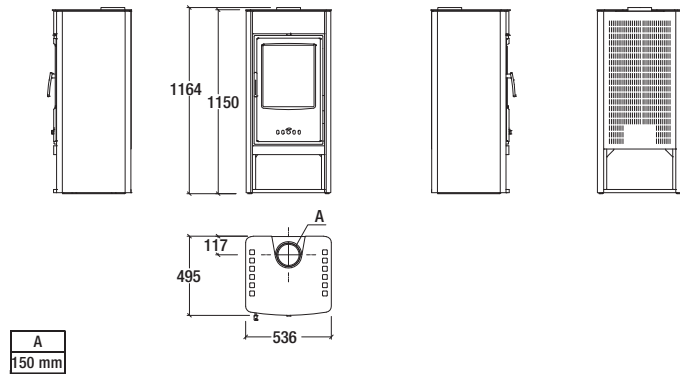


TOTAL PRICE

Total price including stove and painted steel cladding **1.920,00**

	MODEL/COLOUR	CODE	EURO
Firebox with cladding	BIANCO	S07034010C	1.920,00
	BORDEAUX	S07034020C	1.920,00
	NERO	S07034030C	1.920,00

	ACCESSORIES ON REQUEST	CODE	EURO
	Rectangular steel floor plate	P08024300C	325,00
	Round edged steel floor plate	P08024310C	325,00



All drawing dimensions in mm.

WOOD-BURNING STOVES

SAVINA WITH OVEN



GENERAL CHARACTERISTICS

- Heating
 - Cladding
 - Top
 - Stove
 - Firebox
 - Upper baffle plate
 - Brazier
 - Door
 - Door handle
 - Ceramic glass
 - Removable ash drawer
 - Standard flue outlet position
 - Glass cleaning system
 - Primary and secondary air
 - Installation
- natural convection
 painted steel
 cast iron
 steel
 cast iron
 cast iron
 cast iron
 cast iron with automatic closure
 steel with nickel-plated finish
 resistant up to 750°C
 yes
 top
 continuous air flow
 adjustable
 wall - corner

TECHNICAL DATA

- Model
 - Type
 - Energy efficiency class
 - Room heating capacity
 - Nominal heat output
 - Nominal thermal efficiency
 - Consumption
 - Standard flue outlet Ø
 - Dimensions W x D x H
 - Stainless steel oven W x D x H
 - Stove weight
- SAVINA
 S55F
 A
 m³ 135 - 230
 kW 8,0
 % 80,3
 kg/h 2,4
 mm 150
 mm 600 x 510 x 1445
 mm 320 x 350 x 315
 kg 218

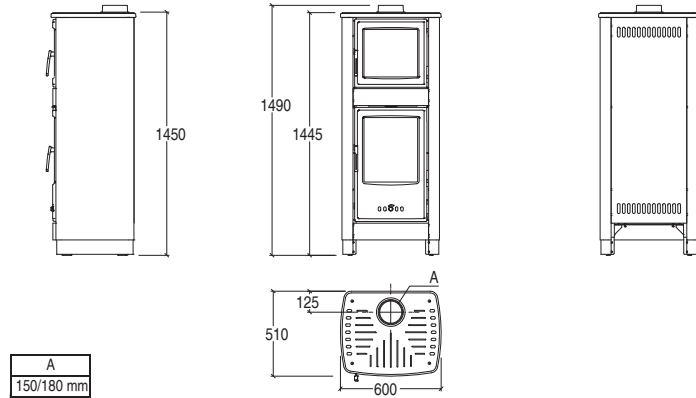


TOTAL PRICE

Total price including stove and painted steel cladding **2.370,00**

	MODEL/COLOUR	CODE	EURO
Firebox with cladding	BIANCO	S07023010C	2.370,00
	BORDEAUX	S07023020C	2.370,00
	GRIGIO	S07023030C	2.370,00

ACCESSORIES ON REQUEST	CODE	EURO
Anti-condensation fitting Ø 150	S08030680C	70,00
Anti-condensation fitting Ø 180	S08030690C	64,00
Rectangular steel floor plate	P08024300C	325,00
Round edged steel floor plate	P08024310C	325,00



All drawing dimensions in mm.

WOOD-BURNING STOVES

SIBILLA



GENERAL CHARACTERISTICS

- | | |
|--|--|
| <ul style="list-style-type: none"> • Heating • Cladding • Top • Stove • Firebox • Upper baffle plate • Brazier • Door • Door handle • Ceramic glass • Removable ash drawer • Standard flue outlet position • Glass cleaning system • Primary and secondary air • Installation | <ul style="list-style-type: none"> • natural convection • painted steel • cast iron • steel • cast iron • cast iron • cast iron • cast iron with automatic closure • steel with nickel-plated finish • resistant up to 750°C • yes • top • continuous air flow • adjustable • wall - corner |
|--|--|

TECHNICAL DATA

- | | |
|---|---|
| <ul style="list-style-type: none"> • Model • Type • Energy efficiency class • Room heating capacity • Nominal heat output • Nominal thermal efficiency • Consumption • Standard flue outlet Ø • Dimensions W x D x H • Stove weight | <ul style="list-style-type: none"> SIBILLA S55 A m³ 135 - 230 kW 8,0 % 78,2 kg/h 2,5 mm 150 mm 600 x 510 x 1020 kg 167 |
|---|---|

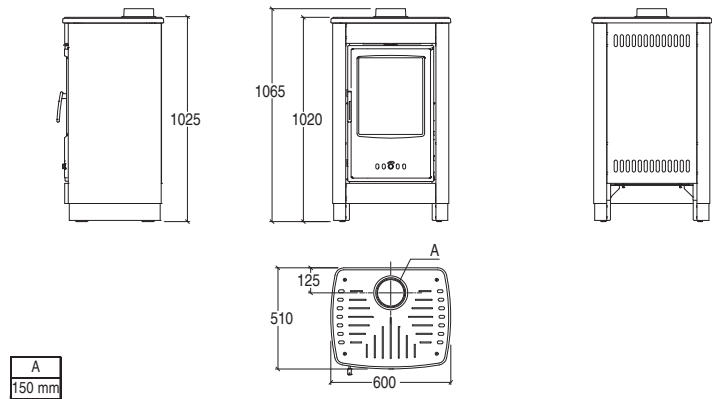


TOTAL PRICE

Total price including stove and painted steel cladding **1.725,00**

	MODEL/COLOUR	CODE	EURO
Firebox with cladding	BIANCO	S07022010C	1.725,00
	BORDEAUX	S07022020C	1.725,00
	GRIGIO	S07022030C	1.725,00

	ACCESSORIES ON REQUEST	CODE	EURO
	Anti-condensation fitting	S08030680C	70,00
	Rectangular steel floor plate	P08024300C	325,00
	Round edged steel floor plate	P08024310C	325,00



All drawing dimensions in mm.

WOOD-BURNING STOVES

SUSANNA



GENERAL CHARACTERISTICS

- Heating
 - Cladding
 - Top
 - Stove
 - Firebox
 - Upper baffle plate
 - Brazier
 - Door
 - Door handle
 - Ceramic glass
 - Removable ash drawer
 - Standard flue outlet position
 - Glass cleaning system
 - Primary and secondary air
 - Installation
- natural convection
 painted steel
 cast iron
 steel
 cast iron
 steel - Skamolex
 cast iron
 cast iron with automatic closure
 steel with nickel-plated finish
 resistant up to 750°C
 yes
 top
 continuous air flow
 adjustable
 wall - corner

TECHNICAL DATA

- Model
 - Type
 - Energy efficiency class
 - Room heating capacity
 - Nominal heat output
 - Nominal thermal efficiency
 - Consumption
 - Standard flue outlet Ø
 - Size of wood pieces
 - Firebox opening W x H
 - Dimensions W x D x H
 - Weight
- SUSANNA
 SL390-01
 A+
 m³ 145 - 245
 kW 8,5
 % 83,3
 kg/h 2,49
 mm 150
 mm 33 - 38
 mm 34,5 x 38,5
 mm 600 x 506 x 1016
 kg 188

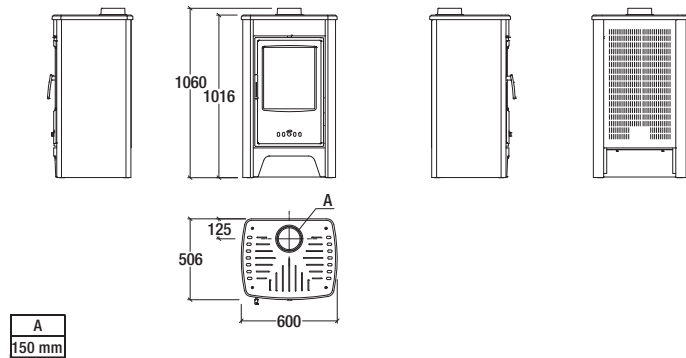


TOTAL PRICE

Total price including stove and painted steel cladding **1.850,00**

	MODEL/COLOUR	CODE	EURO
Firebox with cladding	BIANCO	S07032010C	1.850,00
	BORDEAUX	S07032020C	1.850,00
	NERO	S07032030C	1.850,00

	ACCESSORIES ON REQUEST	CODE	EURO
	Rectangular steel floor plate	P08024300C	325,00
	Round edged steel floor plate	P08024310C	325,00



All drawing dimensions in mm.






WOOD-BURNING STOVES

Accessories

PIPES - BENDS - CONNECTORS FOR WOOD-BURNING STOVES

Aluminium coated steel connecting flue pipes single wall, 2 mm thick, V2 corrosion resistance class, EN 1856-2 compliant

For wood-burning stoves with oven: MALIKA

	ITEM	DIMENSIONS IN CM	Ø MM	CODE	EURO
	Anti-condensation fitting	-	120	S08030660	70,00
	Fitting ø 120/140 for inserting pipes Ø 140	-	140	S08030730	35,00
	Fitting ø 120/140 for inserting anti-condensation pipes Ø 140	-	140	S08030670	78,00
	Pipe	L 25	140	P08025010	50,00
		L 50	140	P08025040	70,00
		L 100	140	P08025070	109,00
	Pipe with damper ^[1]	L 50	140	P08025120	89,00
		L 100	140	P08025130	128,00
	Bend 90° (2x45°) with inspection	L 32 x H 32	140	P08025190	96,00
	Bend 45° with inspection	L 25 x H 30	140	P08025220	89,00
	Bend 45°	L 17 x H 17	140	P08025250	70,00
	Bend 90° (2x45°) w/damper and inspection ^[1]	L 70 x H 45	140	P08025160	198,00
	Wall connector	-	140	P08025280	16,00
	Damper	-	140	P08025340	50,00
	Flue ring	-	140	P08025310	39,00

[1] Compatible ONLY with anti-condensation.

WOOD-BURNING STOVES

Accessories

PIPES - BENDS - CONNECTORS FOR WOOD-BURNING STOVES

Aluminium coated steel connecting flue pipes single wall, 2 mm thick, V2 corrosion resistance class, EN 1856-2 compliant

For wood-burning stoves: MANILA, MIRTA, SAMUELA, SIBILLA, SUSANNA

For wood-burning stoves with oven: SAVINA

	ITEM	DIMENSIONS IN CM	Ø MM	CODE	EURO
	Anti-condensation fitting for SAMUELA - SAVINA - SIBILLA - SUSANNA	-	150	S08030680	70,00
	Pipe	L 25	150	P08025020	50,00
		L 50	150	P08025050	70,00
		L 100	150	P08025080	109,00
	Pipe with damper ^[1]	L 50	150	P08025100	89,00
		L 100	150	P08025140	128,00
	Bend 90° (2x45°) with inspection	L 32 x H 32	150	P08025200	96,00
	Bend 45° with inspection	L 25 x H 30	150	P08025230	89,00
	Bend 45°	L 17 x H 17	150	P08025260	70,00
	Bend 90° (2x45°) w/damper and inspection ^[1]	L 70 x H 45	150	P08025170	198,00
	Wall connector	-	150	P08025290	16,00
	Damper	-	150	P08025350	50,00
	Flue ring	-	150	P08025320	39,00

[1] Compatible ONLY with anti-condensation.


WOOD-BURNING STOVES

Accessories

PIPES - BENDS - CONNECTORS FOR WOOD-BURNING STOVES



Aluminium coated steel connecting flue pipes single wall, 2 mm thick, V2 corrosion resistance class, EN 1856-2 compliant

For wood-burning stoves with oven: SAVINA

	ITEM	DIMENSIONS IN CM	Ø MM	CODE	EURO
	Anti-condensation fitting	-	180	S08030690	64,00
	Pipe	L 25	180	P08025030	58,00
		L 50	180	P08025060	78,00
		L 100	180	P08025090	116,00
	Pipe with damper ^[1]	L 50	180	P08025110	89,00
		L 100	180	P08025150	133,00
	Bend 90° (2x45°) with inspection	L 32 x H 32	180	P08025210	109,00
	Bend 45° with inspection	L 25 x H 30	180	P08025240	96,00
	Bend 45°	L 17 x H 17	180	P08025270	78,00
	Bend 90° (2x45°) w/damper and inspection ^[1]	L 70 x H 45	180	P08025180	211,00
	Wall connector	-	180	P08025300	54,00
	Damper	-	180	P08025360	58,00
	Flue ring	-	180	P08025330	44,00

[1] Compatible ONLY with anti-condensation.

FLOOR PROTECTION

	ITEM	COMPATIBLE MODELS	DIMENSIONS IN CM	CODE	EURO
	Rectangular steel floor plate	All models	100x120	P08024300C	325,00
	Round edged steel floor plate	All models	100x120	P08024310C	325,00

Superior informs

Majolica

CHARACTERISTICS: in order to appreciate the characteristic, it is necessary to be informed on this prestigious material.

- 1) **Aesthetic functionality:** the inner steel or cast iron burner is surrounded by majolica shapes and colours.
- 2) **As a source of heating:** majolica, given its natural semi-refractory characteristics, it resists to heat by accumulating it and diffusing it into the ambient air.

It is easy to understand that the larger the majolica piece the more heat it can radiate. Therefore the few and large sizes of the majolica pieces are to be appreciated for the fact that they distribute heat into the room and over time.

The fabrication of large pieces of majolica necessitates a know-how only achieved through a long experience over years in the field. Just stop to think each it takes 12 to 15 days to make a single piece of majolica, with the manual expertise of a dozen or so qualified ceramic masters. Thus due to the long process and manual craftsmanship put into each piece of majolica made by "SUPERIOR" - Gruppo Piazzetta S.p.A. is considered to be unique piece of art work and no two exactly alike.

Important to note that the finishes (the liquid suspension of minerals, finely ground, applied onto the biscuit, which bake to fusion temperature, create a either glossy or dull finish) which chromatically enhance and beautify the "biscuit" (a name given to clay after its first baking process), are all part of controlled chemical reactions which inevitably leave way to phenomena like crazing, speckles and shading... which are not to be considered defects on the majolica but add characteristics of peculiarity to the final piece.

CRAZING: manifests itself on the enameled surface or in crystallization in an intricate form of cracking more or less visible to the naked eye. This is due to the different dilatation coefficient between enamel and the particular semi refractory principals of the biscuit (not to be confused with other materials like porcelain, stoneware, vitreous, fire clay etc...). The crazing distinguishes and characterizes this type of majolica for its specific usage: to cover a piece of material that radiates heat throughout.

PITTING: is present on the surface of the enamel or the crystalline in the form of pinholes. It is caused by gas bubbles, in the enamel itself or in the biscuit, that emerge on the surface through the vitreous mass during softening.

SHADING: typical of red enamels, it shows as clouds of tiny black dots caused by the chemical reaction of iron oxide present variable in the pigment itself. They are formed during the cooling phase after firing.

Despite the complexity of the multiple and variable results given by this particular, hand made and hand painted product, "SUPERIOR" - Gruppo Piazzetta S.p.A. ensures the utmost care in the manufacture and quality control of all its majolica production, which true connoisseurs do not hesitate to define as authentic artworks.

SHADE DIFFERENCES: shade differences might vary according to the shape of the majolica plates even within the same production lot. The biscuit, its shape, and the firing temperatures of each single glaze create colour shades that make each majolica plate unique.

General sales terms and conditions

ORDERS: must be sent in written form by either email or fax (+39 423 527250).

The article number, article description and desired quantity must be specified. Order modifications and/or additions must be communicated to our sales department at least TWO DAYS BEFORE the confirmed loading date.

Customizing the majolica is possible with colors different from the ones indicated and bicolor versions, if possible. In these cases a 30% price increase must be applied.

RETURNS: any returns must be AUTHORISED exclusively by our MANAGEMENT.

Returns are accepted only if the product is in as-new condition, and will be credited at 70% of the purchase price. The return document must give the references of the delivery document or invoice issued by "Superior" - Gruppo Piazzetta S.p.A. and the reason for the return.

DISPUTES: disputes will not be considered after 7 days from delivery date.

A claim must be submitted, at time of delivery, against the transporter directly on the carrier document and copy of the document must be sent to our sales department in case of damages to the products caused during transportation.

PAYMENT DELAY: the delay of payment will result in an interest compensation towards "Superior" - Gruppo Piazzetta S.p.A. as per the Italian Legislative Decree 231/2002 and any subsequent amendments. Furthermore, the lack of total or partial payment of the invoices, will, at "Superior" - Gruppo Piazzetta S.p.A.'s discretion, result in suspension or cancellation of all pending orders.

WARRANTY: Please consult the full document of the Warranty Contract, available on the website <https://easylife.superiorstufe.com>.

The present price list annuls and replaces all preceding price lists. All products are packaged on non-returnable pallets. Prices are considered to be without VAT (government sales taxes). "Superior" - Gruppo Piazzetta S.p.A. reserves the right to modify and/or delete all printed material, if deemed necessary by "Superior" - Gruppo Piazzetta S.p.A. without any written or prior notice.



GRUPPO  PIAZZETTA

Via Montello, 22 - 31011 Casella d'Asolo (TV) Italy
tel.+39 0423 5271 - fax +39 0423 55178
www.superiorstufe.it - info@superiorstufe.it
☎ 800-842026



AZIENDA CERTIFICATA ISO 9001:2008